



COOKOUT™ GRIDDLE STATION



ASSEMBLY MANUAL

CO-500GG (G70222) Propane Barbecue

LIMITED 2-YEAR WARRANTY

Read and save manual for future reference.

Assemble your griddle immediately. Missing or damaged parts should be claimed within 30 days of purchase.

For product inquiries, parts, warranty and troubleshooting support, please call 1-800-249-2506.



ANS Z21.58-2022 / CSA 1.6-2022
Outdoor Cooking Gas Appliances



ANS Z21.58-2022 / CSA 1.6-2022
Outdoor Cooking Gas Appliances

Master No. 211648



IMPORTANT SAFETY WARNINGS



THIS MANUAL MUST REMAIN WITH THIS PRODUCT AT ALL TIMES



CAUTION

Read and follow all safety statements, assembly instructions, use and care directions before attempting to assemble and cook.

INSTALLER OR ASSEMBLE /RCONSUMER

Read and follow all safety statements, assembly instructions, use and care directions before attempting to assemble and cook.

WARNING

Failure to follow all of the Manufacturer's instructions could result in hazardous fires, explosions, property damage, or serious personal injury or even death.

Follow all leak check procedures carefully prior to operation of griddle, even if griddle was dealer assembled. Do not try to light this griddle without reading the Lighting Instructions section of the Safe Use and Care manual.

DANGER

1. If you smell gas:
 - a. Shut off gas to the appliance.
 - b. Extinguish any open flame.
 - c. Open lid.
 - d. If odor continues, keep away from the appliance and immediately call your gas supplier or your fire department.
2. Do not store or use gasoline or other flammable liquids or vapors in the vicinity of this or any other appliance.
3. LP gas cylinder not connected for use shall not be stored in the vicinity of this or any other appliance.

CAUTION

IN DIRECT SUN, AND IN OPERATION, YOUR GRIDDLE'S STAINLESS STEEL AND PAINTED STEEL PARTS CAN BECOME VERY HOT.



THIS GRIDDLE IS FOR OUTDOOR USE ONLY



CONTACT CUSTOMER CARE IF ANY PARTS ARE MISSING.

1-800-249-2506

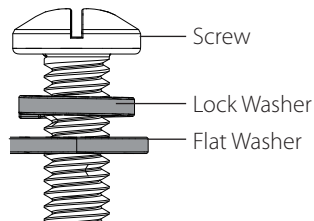
HARDWARE PACK

TOOLS NEEDED FOR ASSEMBLY

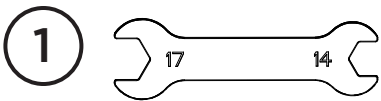
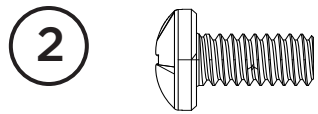

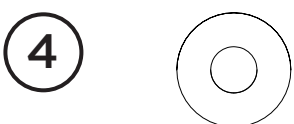

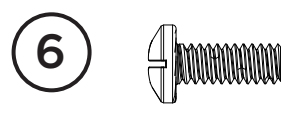
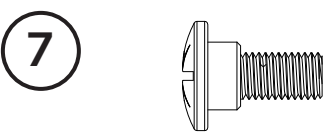
- #2 Star-head screwdriver (long and short)
- ¼" Slotted screwdriver (long and short)
- Adjustable wrench
- Pliers

No.	Description	Part Number	Qty.
1	Wrench	G561-0049-9088	1
2	1/4"-20UNC x 13 Screw	20120-13013-036	66
3	Tapping Screw	22600-42008-136	2
4	Ø6.5 Washer	G466-0042-9000	8
5	Hex Nut	G329-1101-9031	2
6	NO.10-24UNC x13 Screw	20124-10013-036	4
7	1/4"-20UNC Shoulder Screw	G703-0017-9000	4

For correct hardware assembly, always position the lock washer between the screw and the flat washer.



⚠ Caution:
Sheet metal can cause injury. Wear gloves when installing the griddle.

 <p>1</p> <p>Wrench x 1</p>	 <p>2</p> <p>1/4"-20UNC x 13 Screw x 66</p>	 <p>3</p> <p>Tapping Screw x 2</p>
 <p>4</p> <p>Ø6.5 Washer x 8</p>	 <p>5</p> <p>Hex Nut x 2</p>	 <p>6</p> <p>NO.10-24UNC x13 Screw x 4</p>
 <p>7</p> <p>1/4"-20UNC Shoulder Screw x 4</p>		

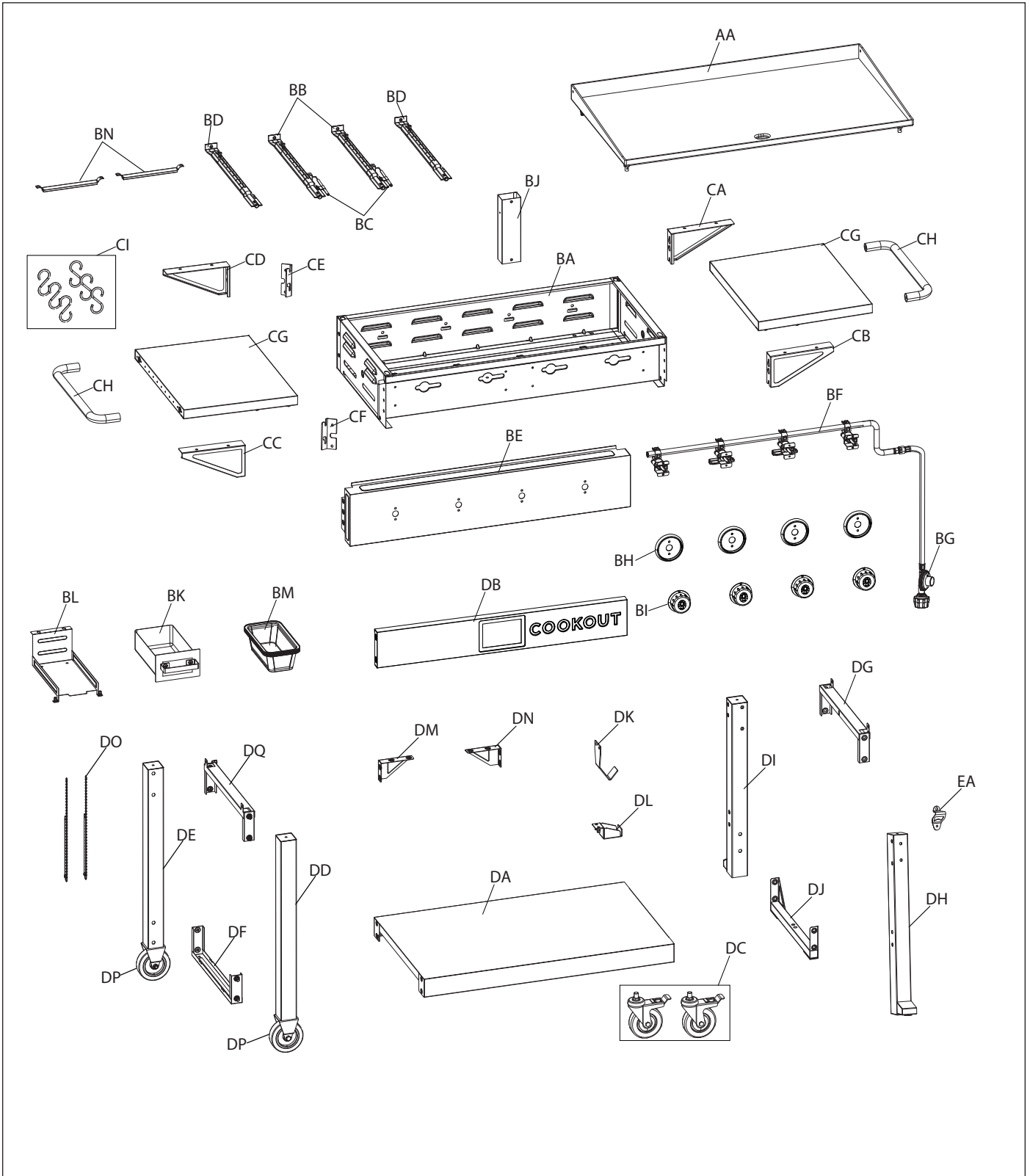
BEFORE ASSEMBLING THIS GRIDDLE, READ THE INSTRUCTIONS CAREFULLY.

Assemble the griddle on a flat, clean surface. Griddle is heavy. Two people are recommended to assemble this griddle.

PARTS LIST FOR CO-500GG (G70222)

Item No.	Qty.	Description	Part No.	Item No.	Qty.	Description	Part No.
AA	1	Griddle Top	G702-1700-01	EA	1	Bottle Opener	A110-0020-01
BA	1	Burner Box Assembly	G702-1100-01	F1	1	Hardware Pack	G702-B022-01
BB	2	Burner with Gas Collector	G702-1200-01	F2	1	Assembly Manual	G702-M022-01
BC	2	Electrode Set	G703-0902-01	F3	1	Safe Use and Care Manual	G702-M022-02
BD	2	Burner	G702-1201-01				
BE	1	Control Panel	G702-3201-02				
BF	1	Manifold Assembly	G702-1500-01				
BG	1	Regulator	G702-1403-01				
BH	4	Control Knob Bezel	G451-000A-01				
BI	4	Control Knob	G451-0099-01				
BJ	1	Grease Drain Tube	G702-1303-01				
BK	1	Grease Cup	G702-5E00-01				
BL	1	Grease Cup Support	G702-1005-02				
BM	3	Foil Insert	G703-0607-01				
BN	2	Carryover Assembly	G515-0044-01				
CA	1	Side Shelf Support A	G702-1802-02				
CB	1	Side Shelf Support B	G702-1803-02				
CC	1	Side Shelf Support C	G702-3301-02				
CD	1	Side Shelf Support D	G702-3302-02				
CE	1	Side Shelf Brace A	G702-0005-02				
CF	1	Side Shelf Brace B	G702-0004-02				
CG	2	Side Shelf	G702-1800-01				
CH	2	Side Shelf Handle	G702-0001-01				
CI	6	Tool Holder	G651-0005-01				
DA	1	Bottom Shelf	G702-2701-02				
DB	1	Cart Brace, Front	G702-5C00-01				
DC	2	Locking Castor	G473-0017-01				
DD	1	Front Leg, Left	G702-0300-02				
DE	1	Back Leg, Left	G702-0400-02				
DF	1	Lower Cart Brace, Left	G702-0201-02				
DG	1	Upper Cart Brace, Right	G702-0202-02				
DH	1	Front Leg, Right	G702-3000-02				
DI	1	Back Leg, Right	G702-0700-02				
DJ	1	Lower Cart Brace, Right	G702-0800-02				
DK	1	Upper Tank Support	G702-0501-02				
DL	1	Lower Tank Support	G702-0502-02				
DM	1	Triangle Support, Left	G702-0803-02				
DN	1	Triangle Support, Right	G702-0802-02				
DO	2	Match Holder	G329-0002-02				
DP	2	Fixed Castor	G702-0203-01				
DQ	1	Upper Cart Brace, Left	G702-0207-02				

EXPLODED DIAGRAM FOR CO-500GG (G70222)

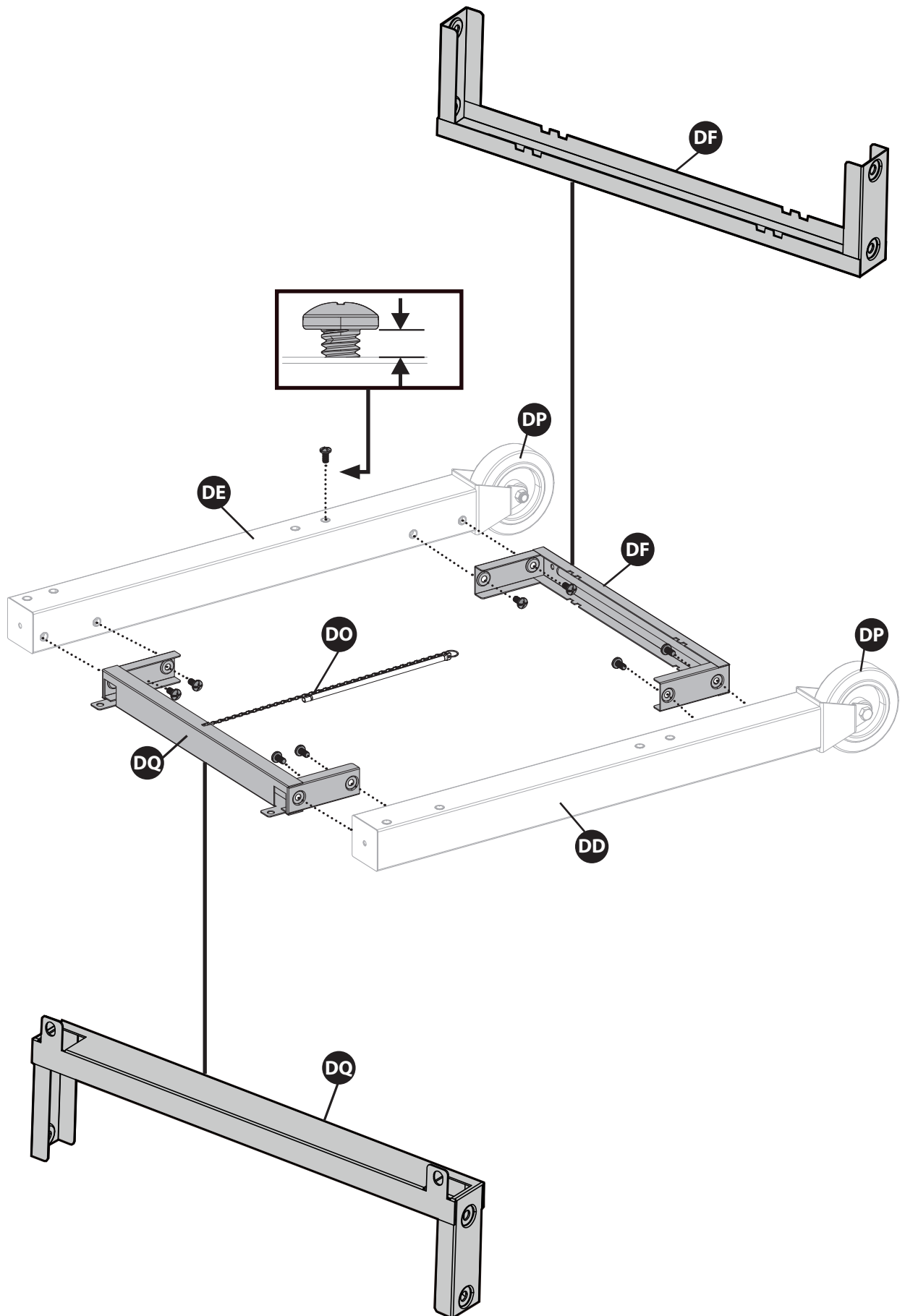
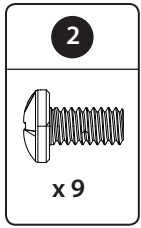


Extras

Hardware Pack F1	Assembly Manual F2	Safe Use & Care Manual F3
----------------------------	------------------------------	-------------------------------------

ASSEMBLY INSTRUCTIONS

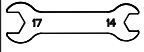
1



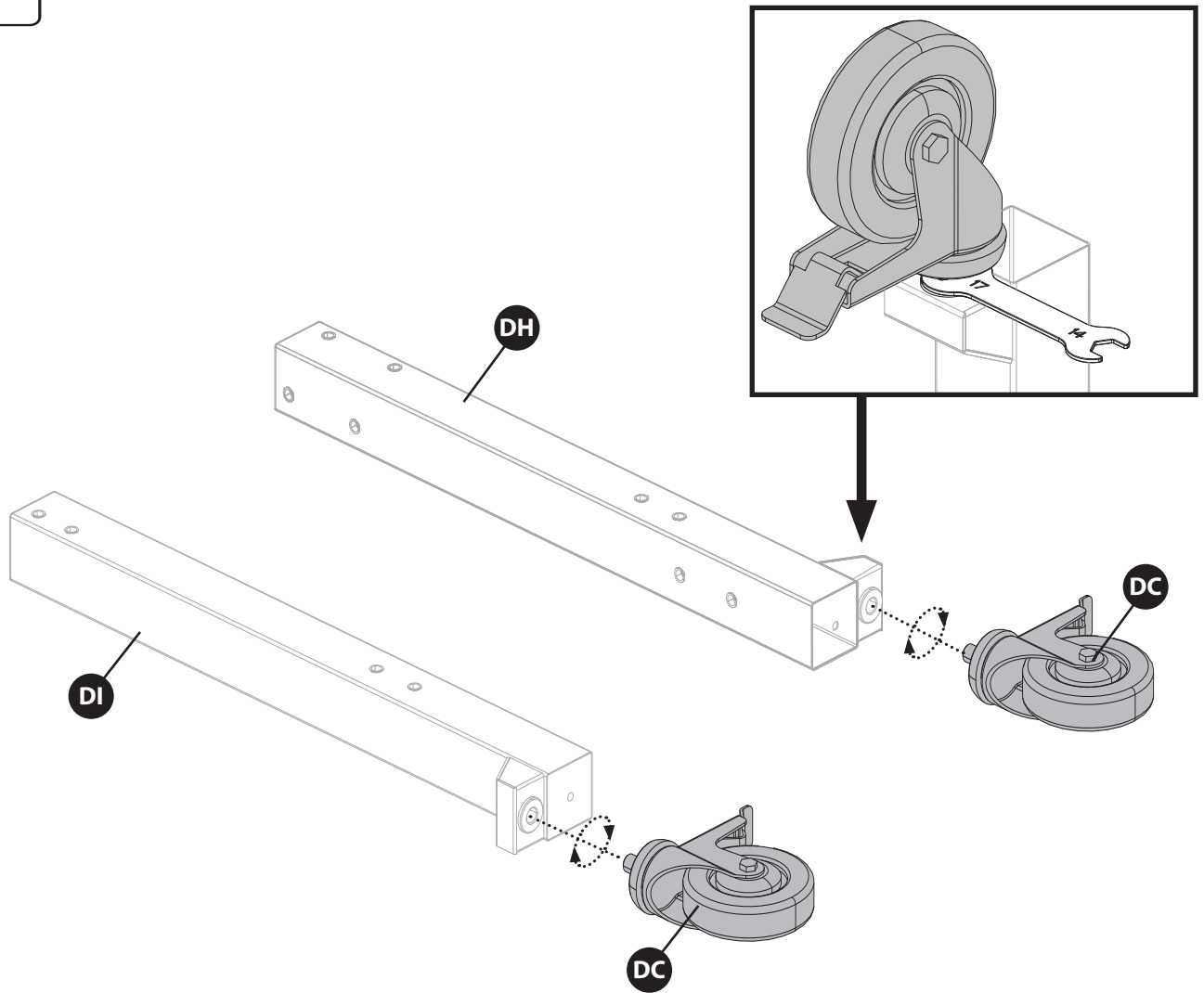
ASSEMBLY INSTRUCTIONS

2

1



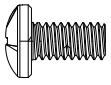
x 1



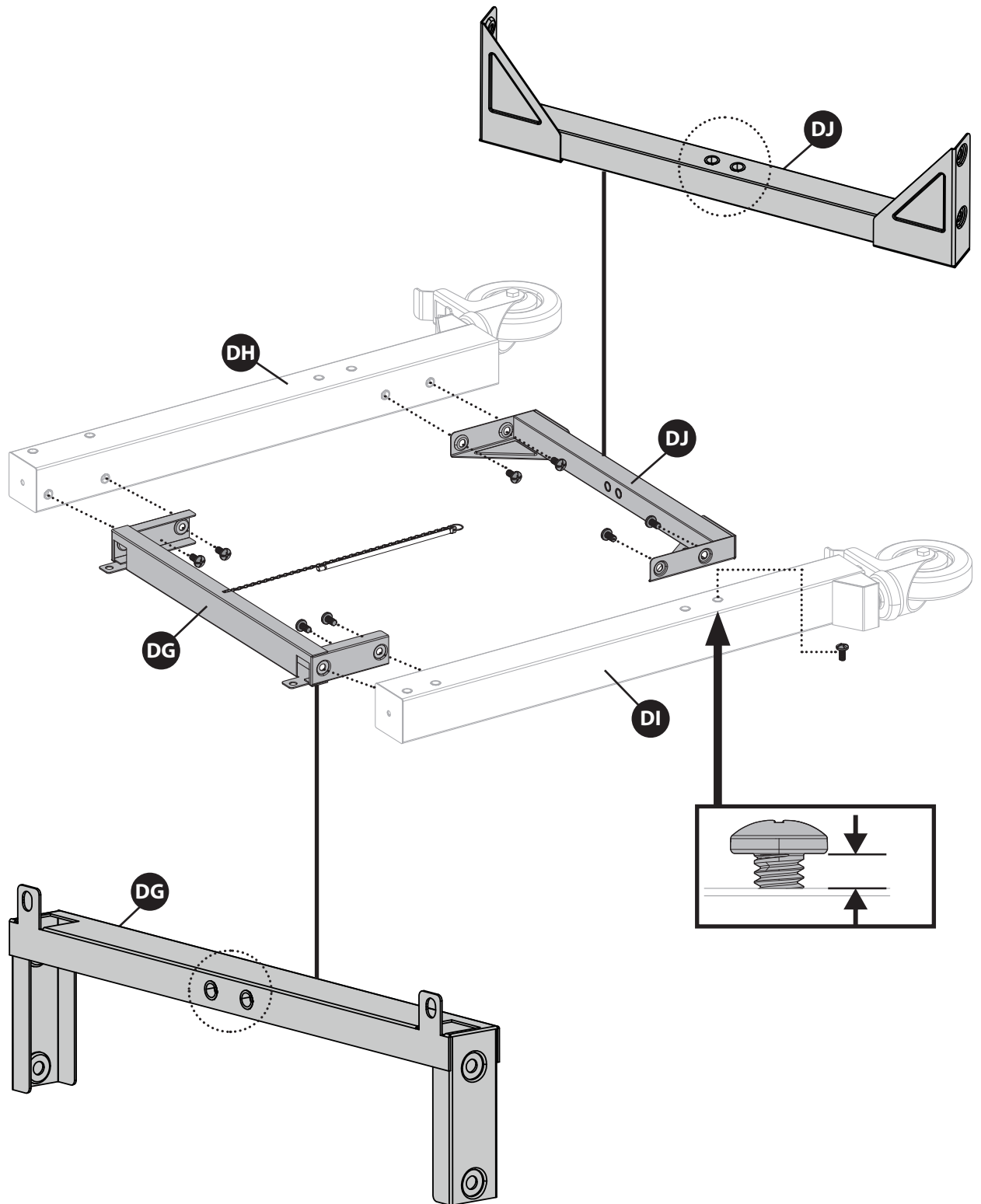
ASSEMBLY INSTRUCTIONS

3

2



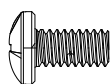
x 9



ASSEMBLY INSTRUCTIONS

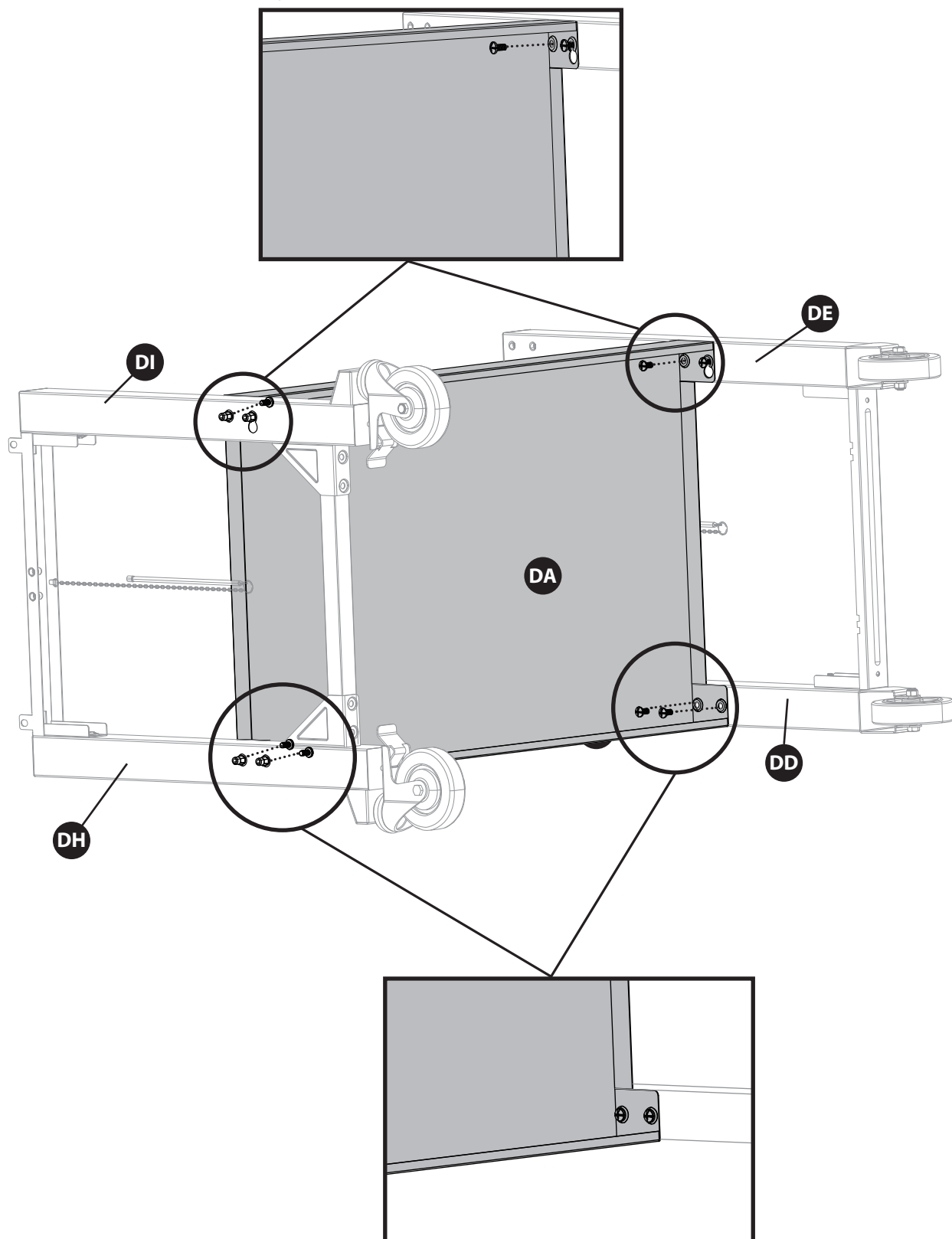
4

2



x 6

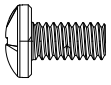
Tighten the screws.



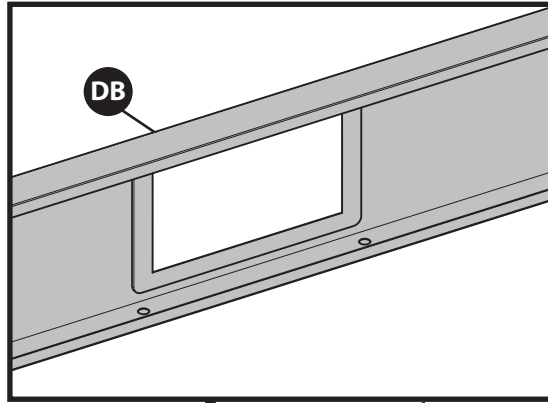
ASSEMBLY INSTRUCTIONS

5

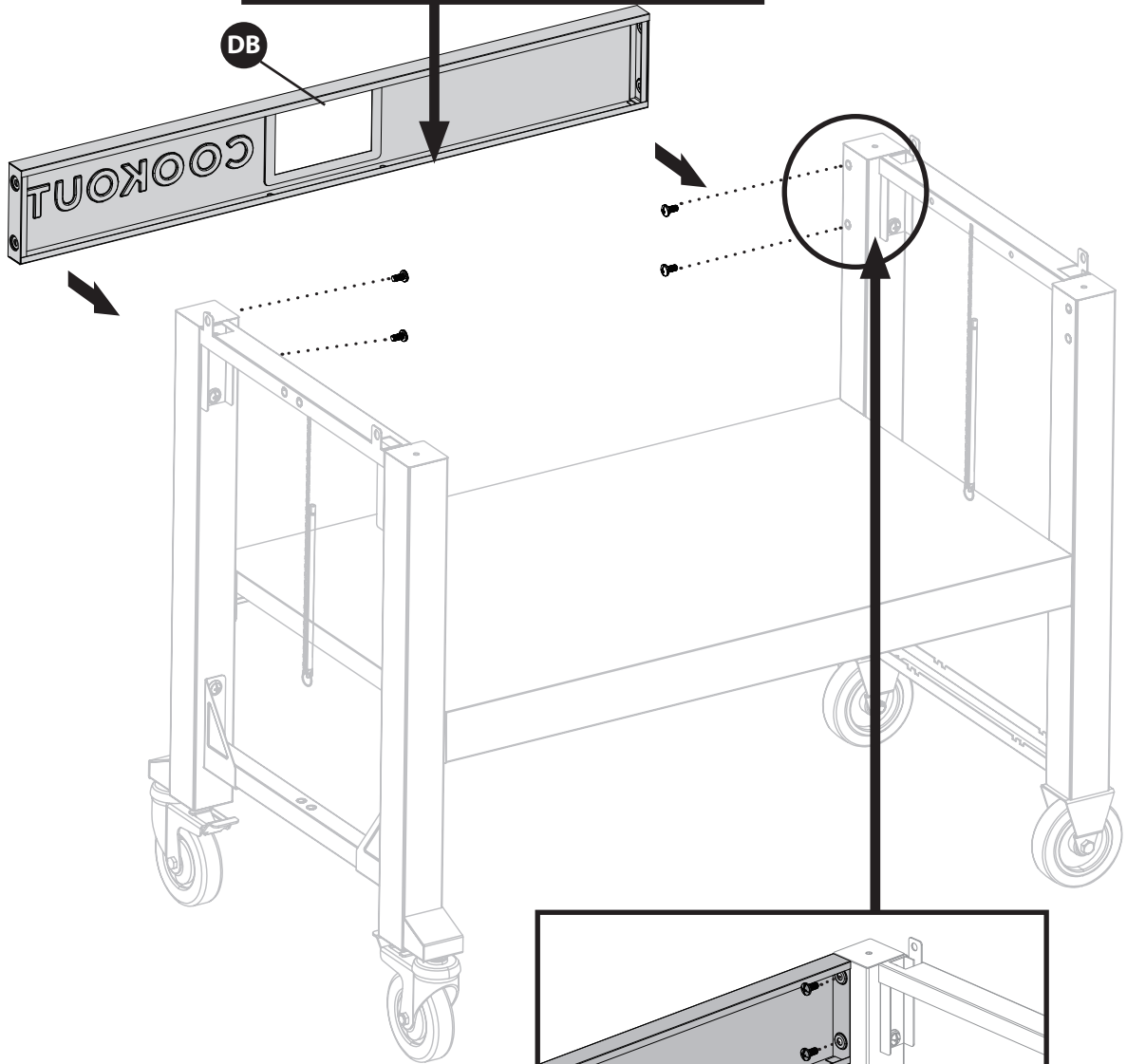
2



x 4



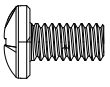
Note: Part DB must be assembled with two holes on the bottom.



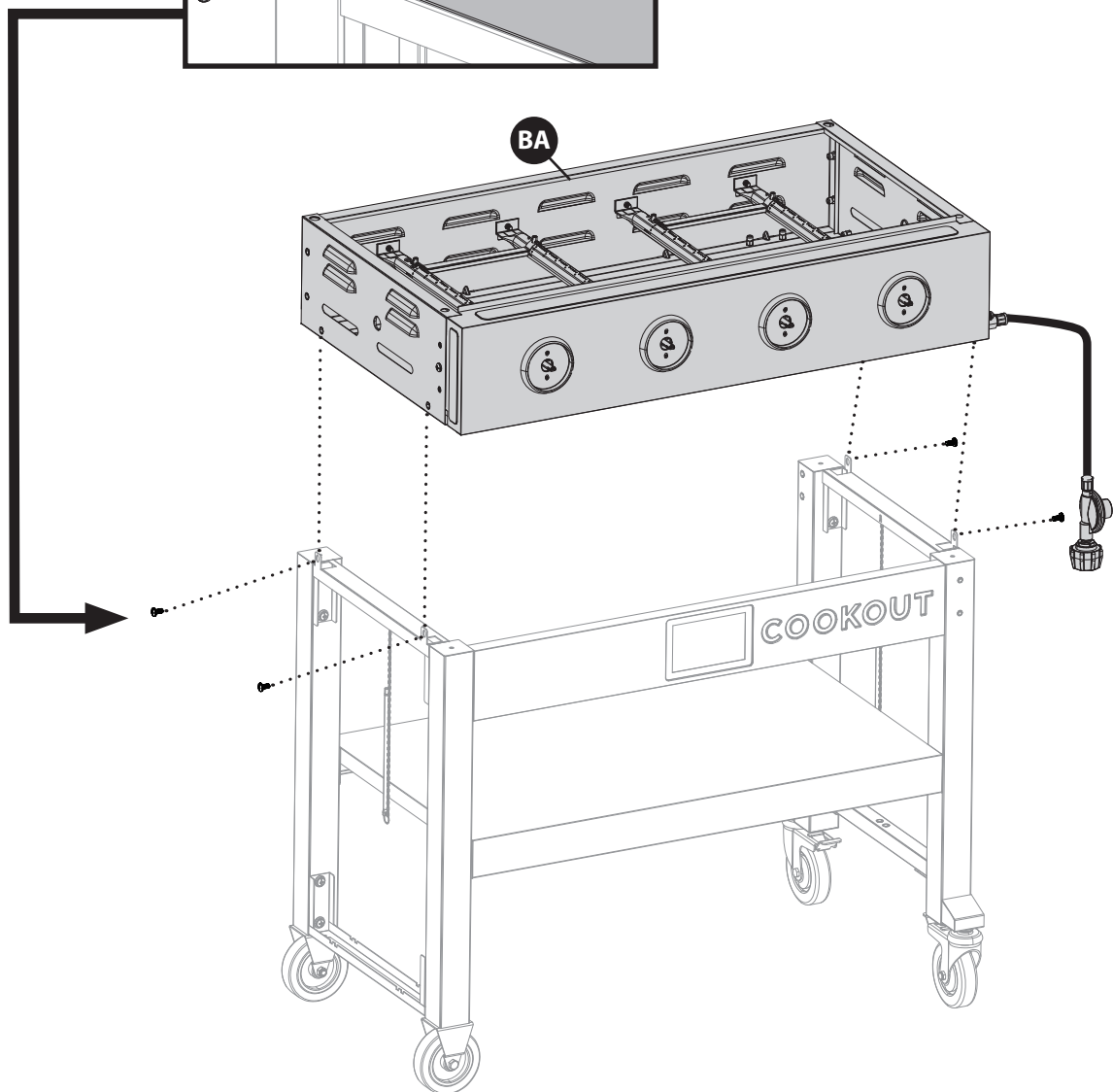
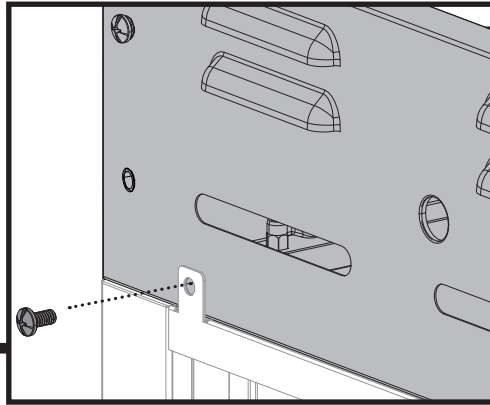
ASSEMBLY INSTRUCTIONS

6

2



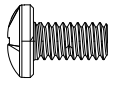
x 4



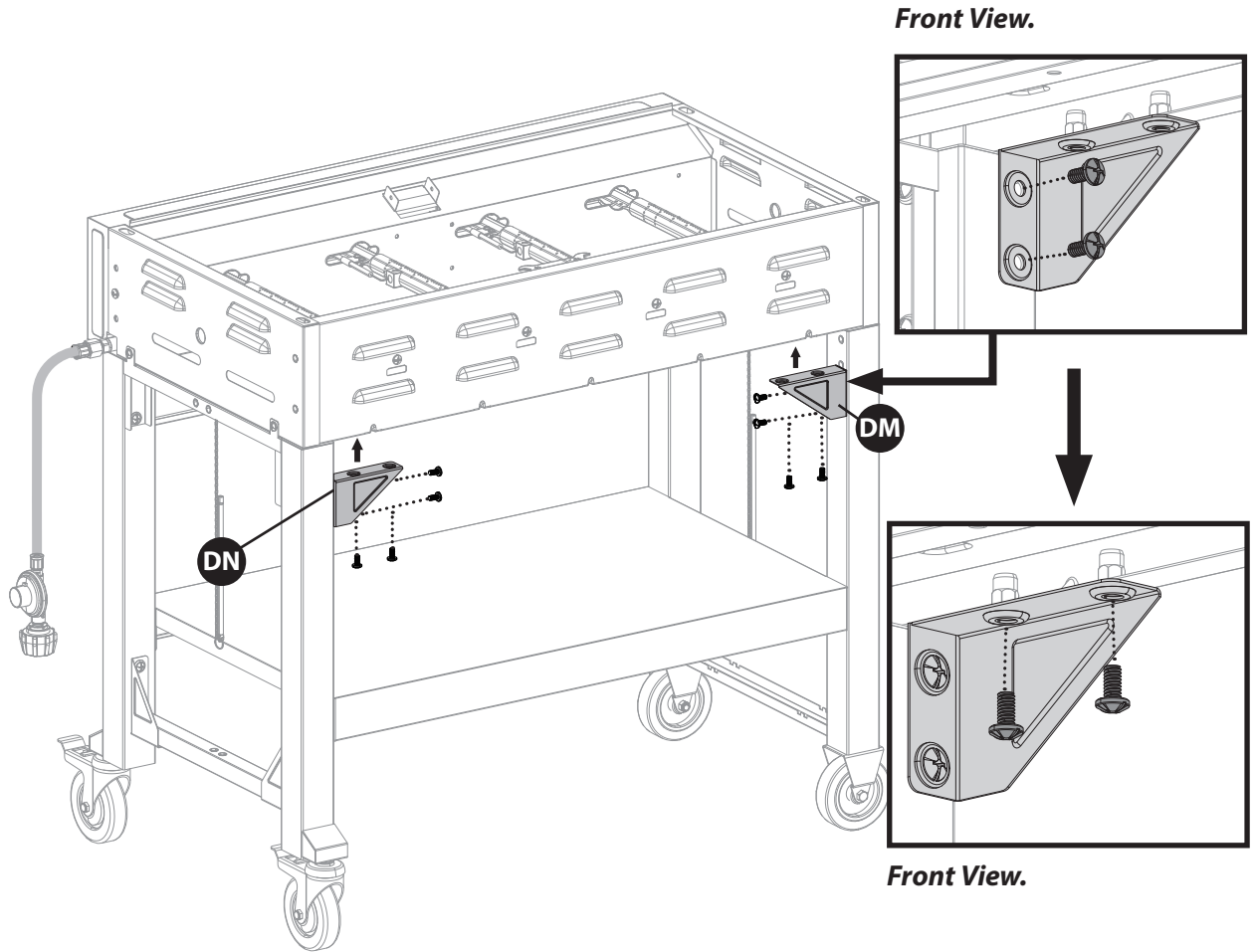
ASSEMBLY INSTRUCTIONS

7

2

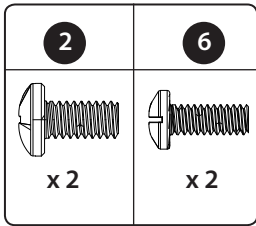


x 8

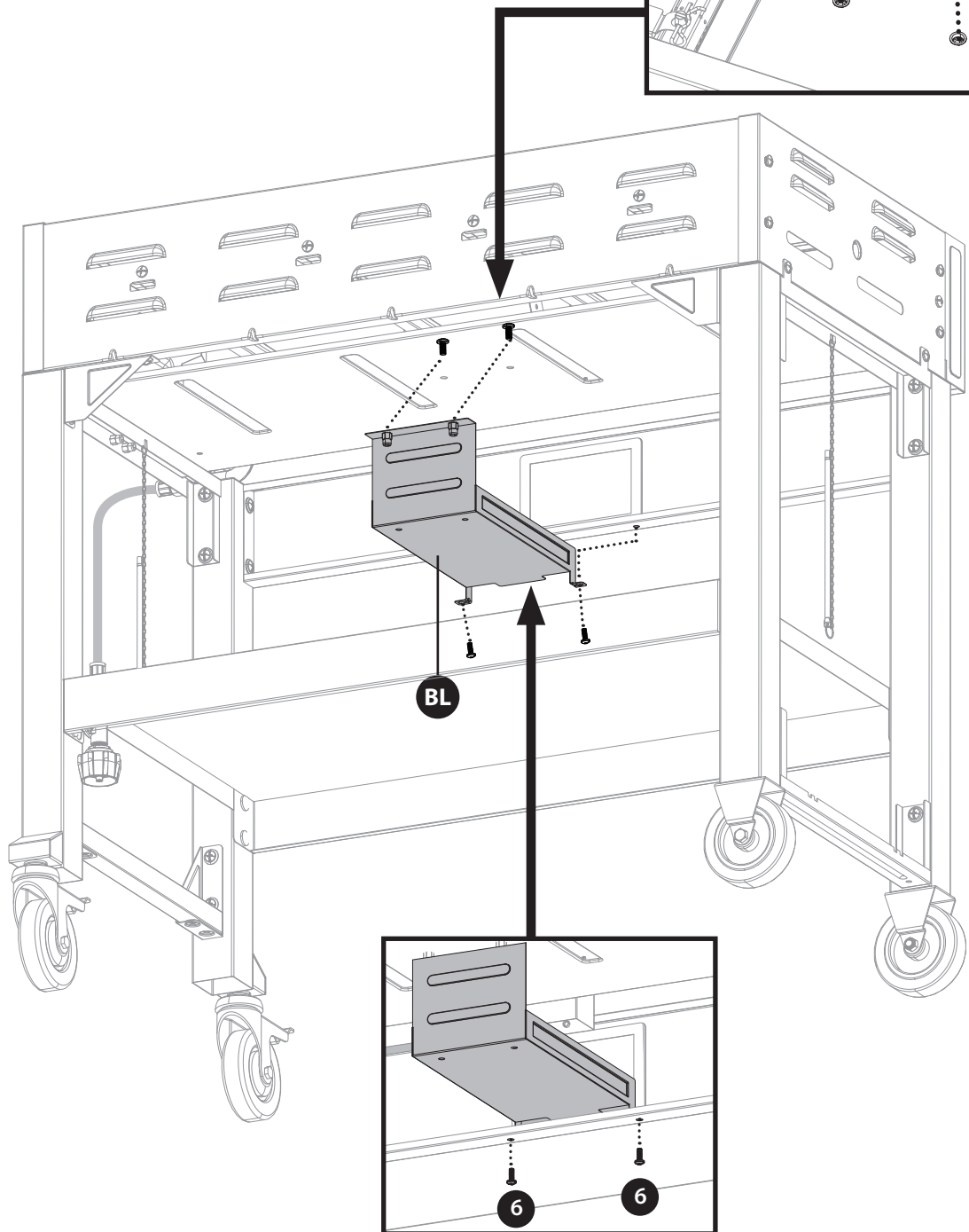
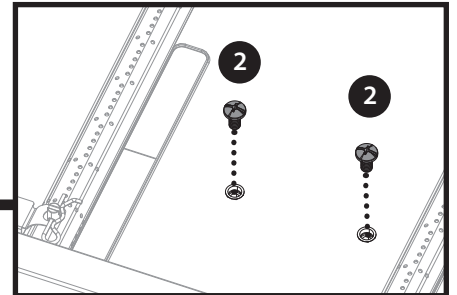


ASSEMBLY INSTRUCTIONS

8




**Attention: #2 Screw
x2 are used to connect
part BL from inside the
burner box assembly BA.**



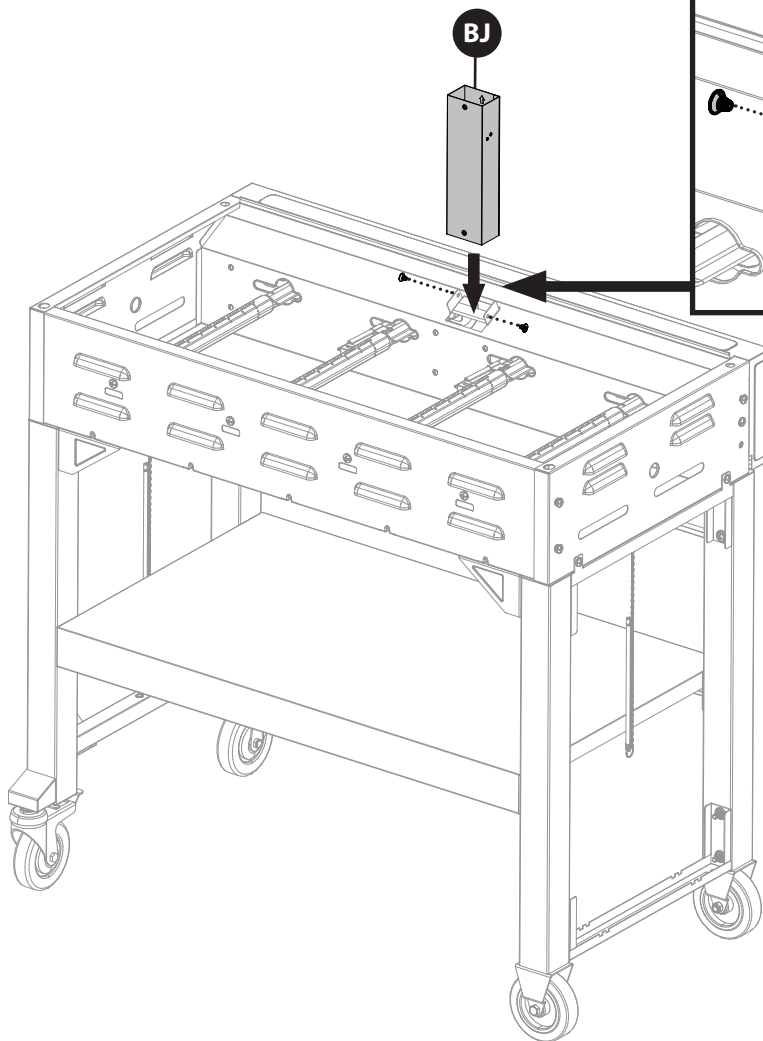
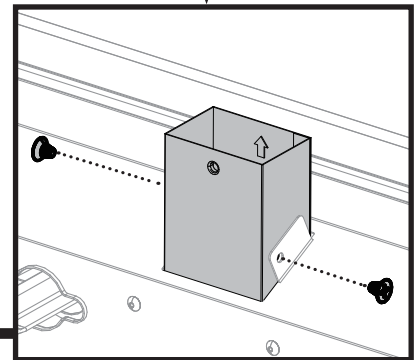
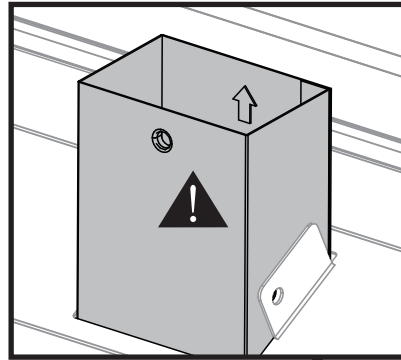
ASSEMBLY INSTRUCTIONS

9

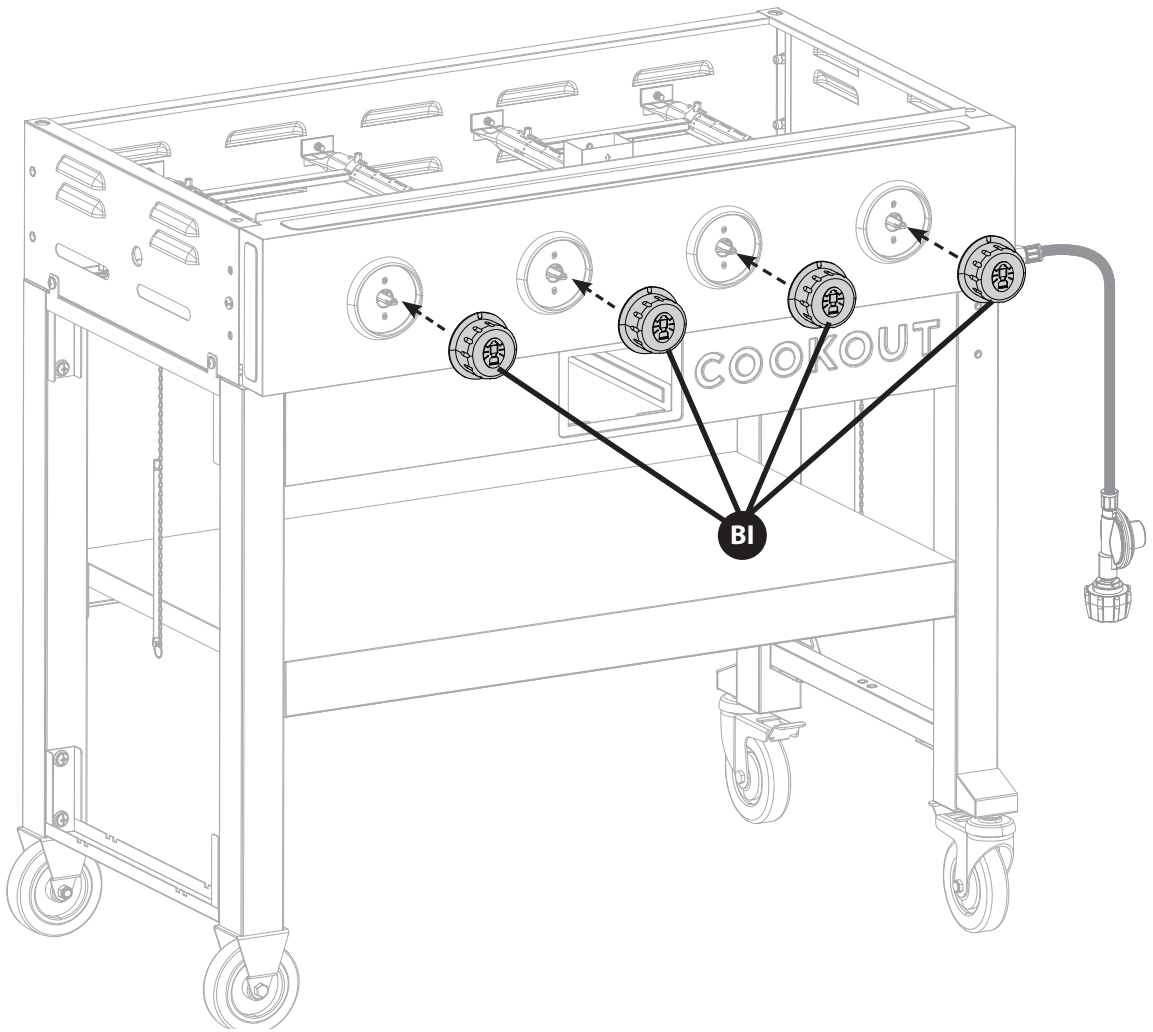
3



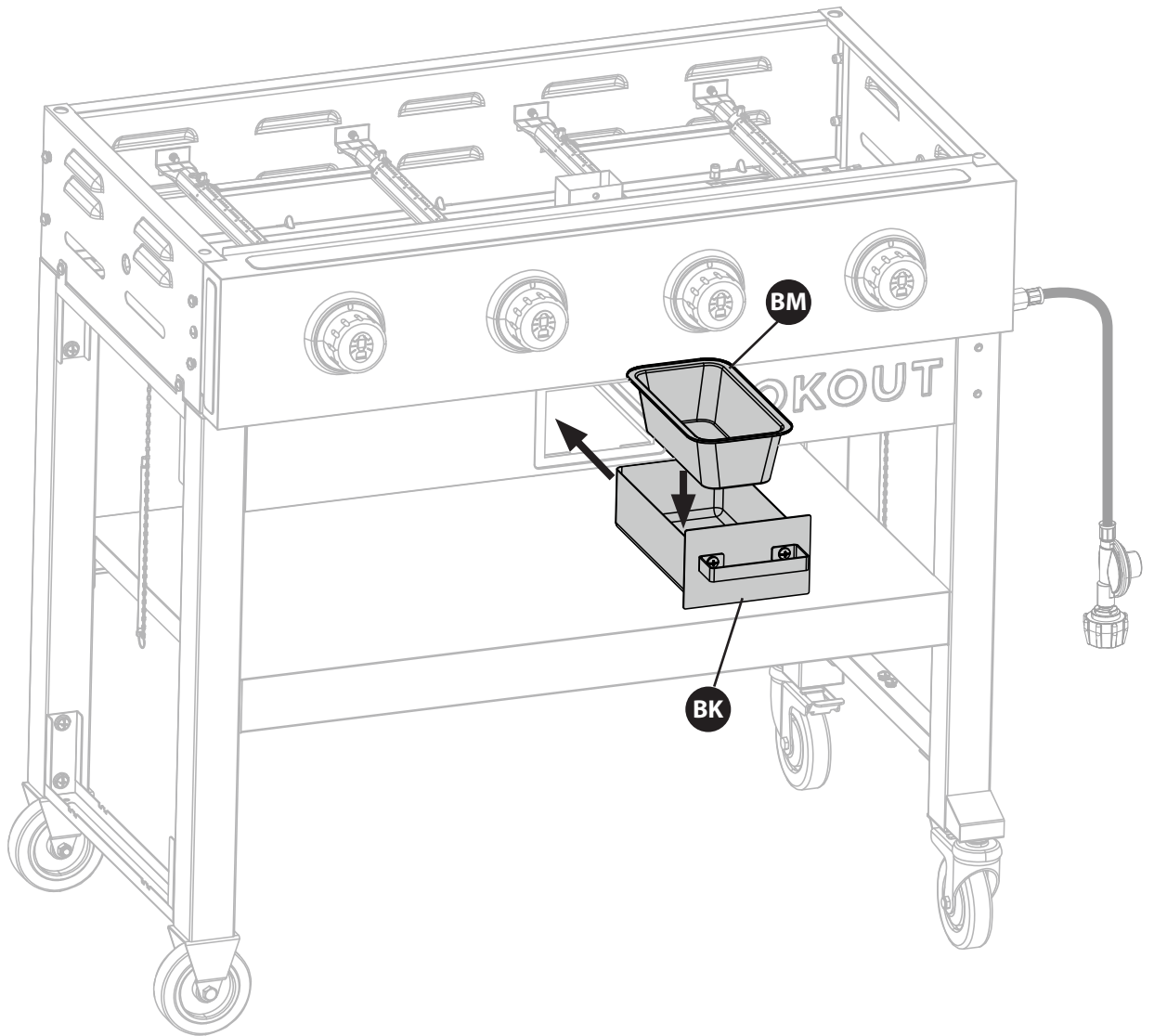
x 2



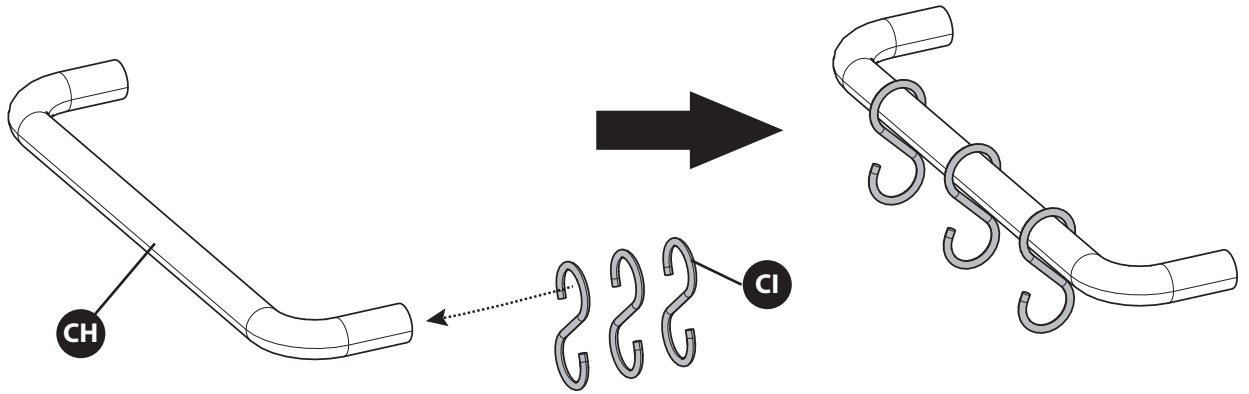
10



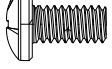

11

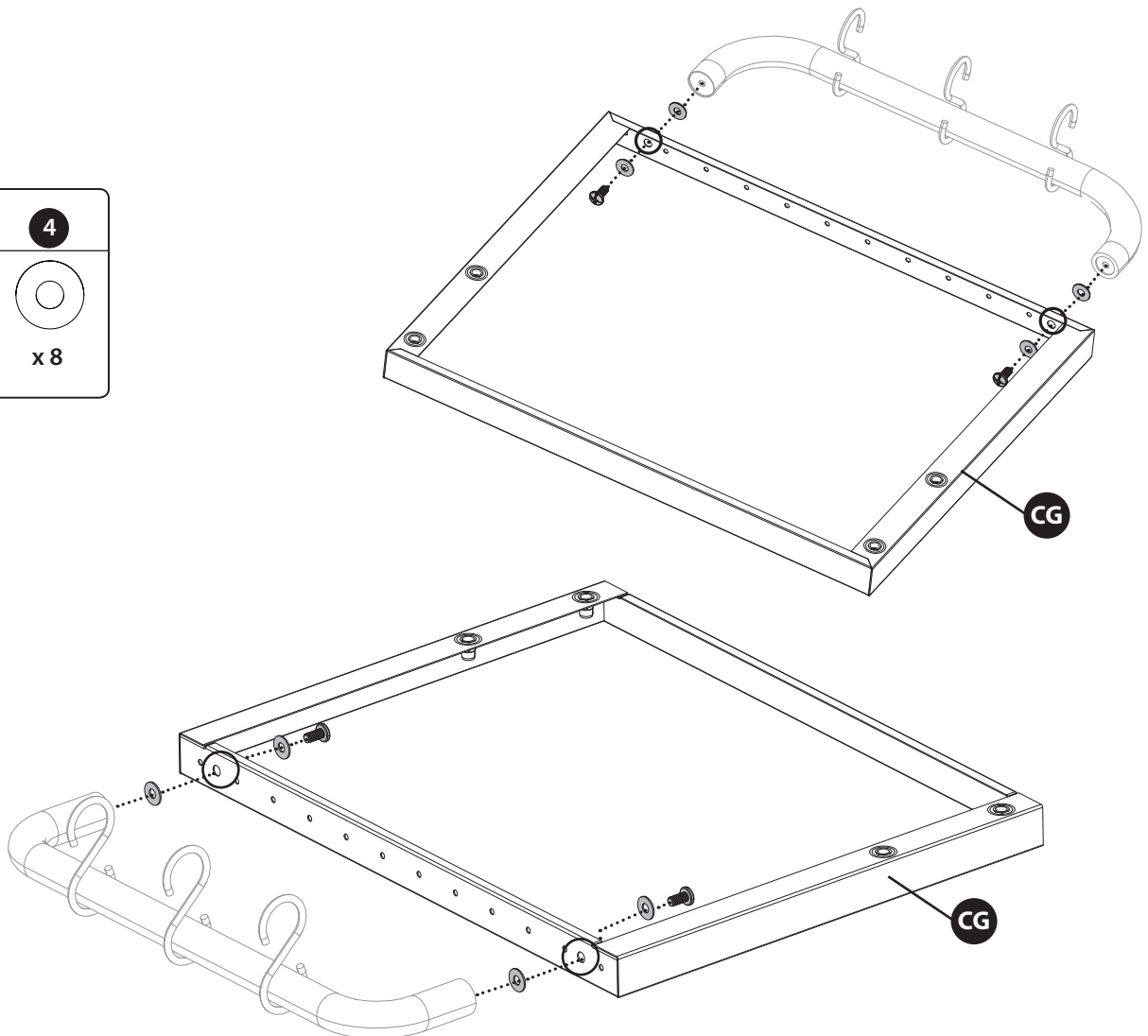


12 X2



13

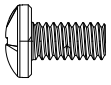
2  x 4	4  x 8
--	--



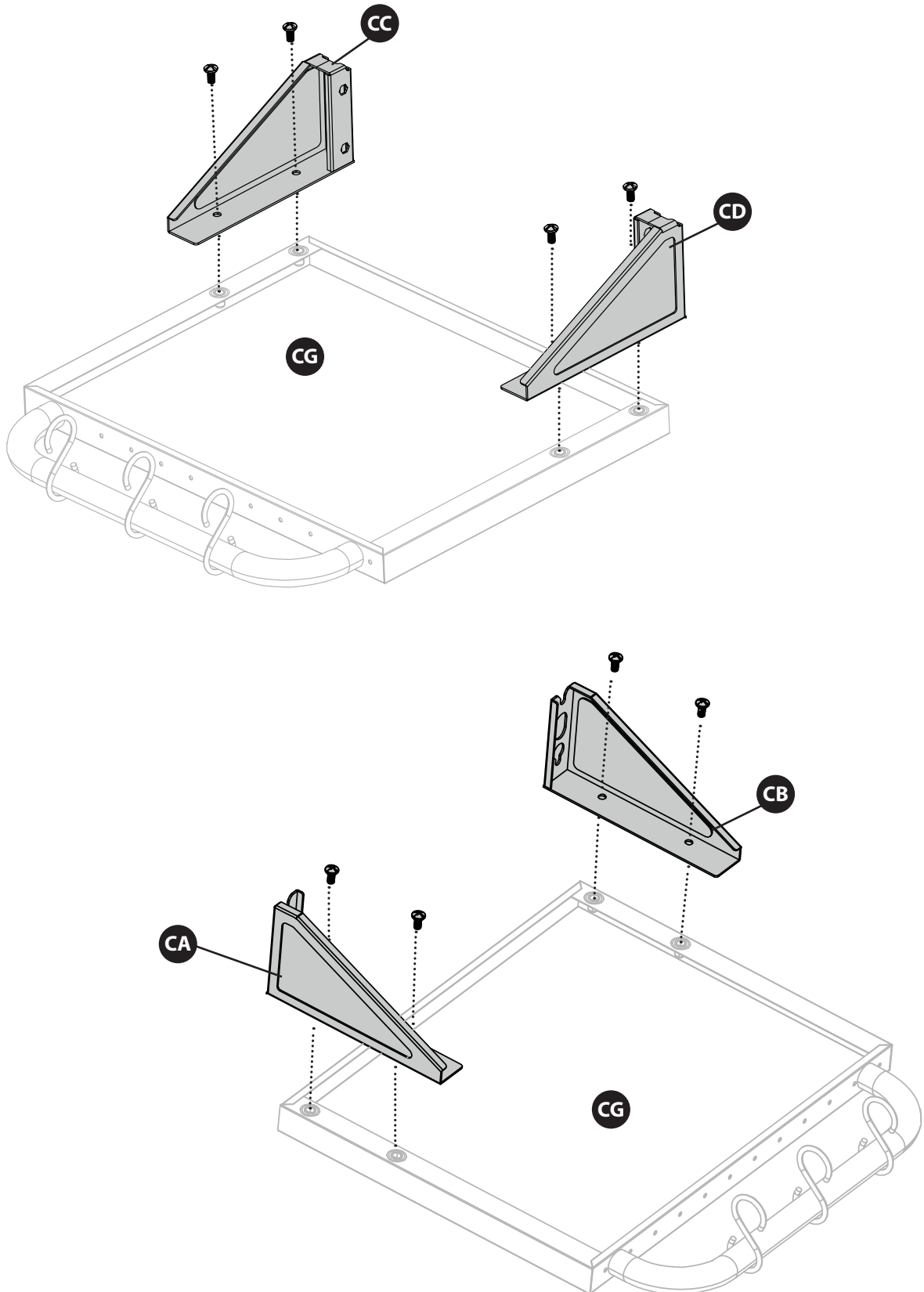
ASSEMBLY INSTRUCTIONS

14

2



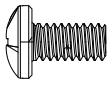
x 8



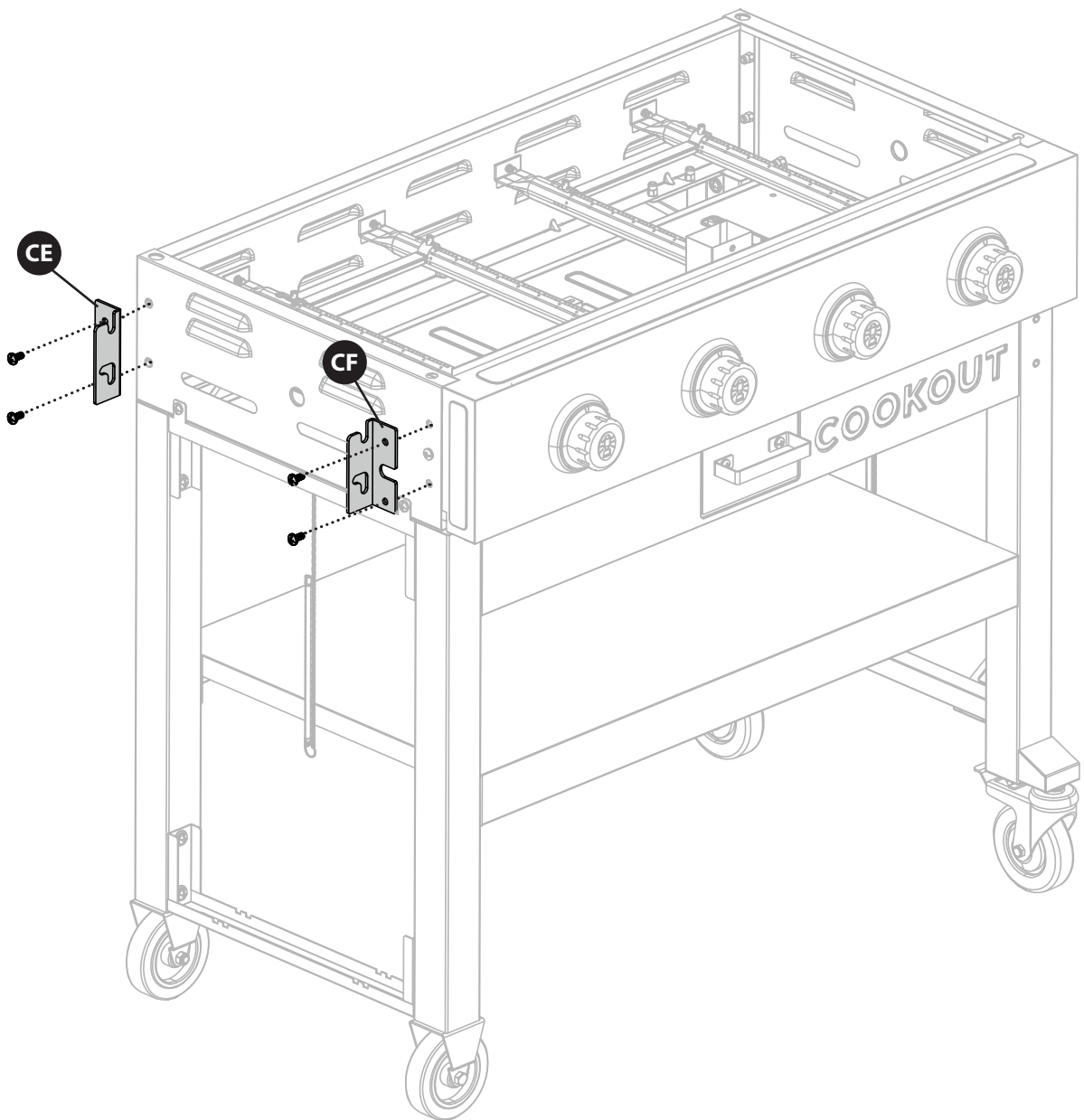
ASSEMBLY INSTRUCTIONS

15

2



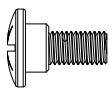
x 4



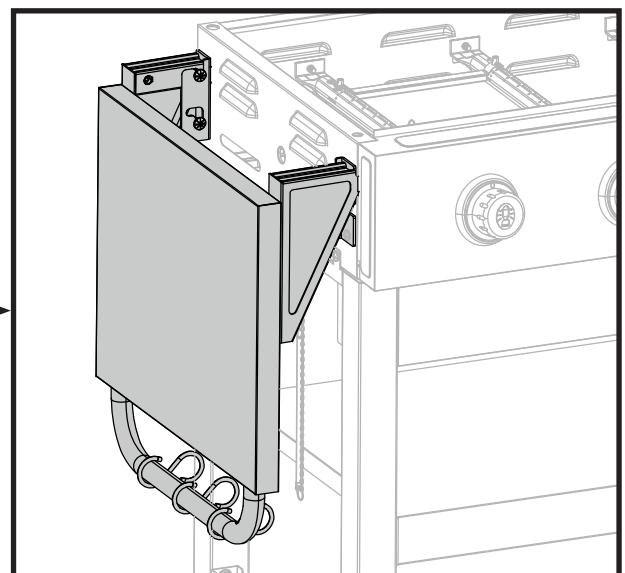
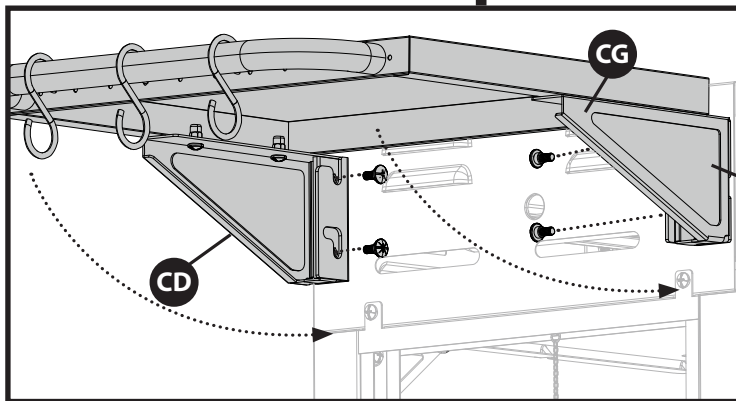
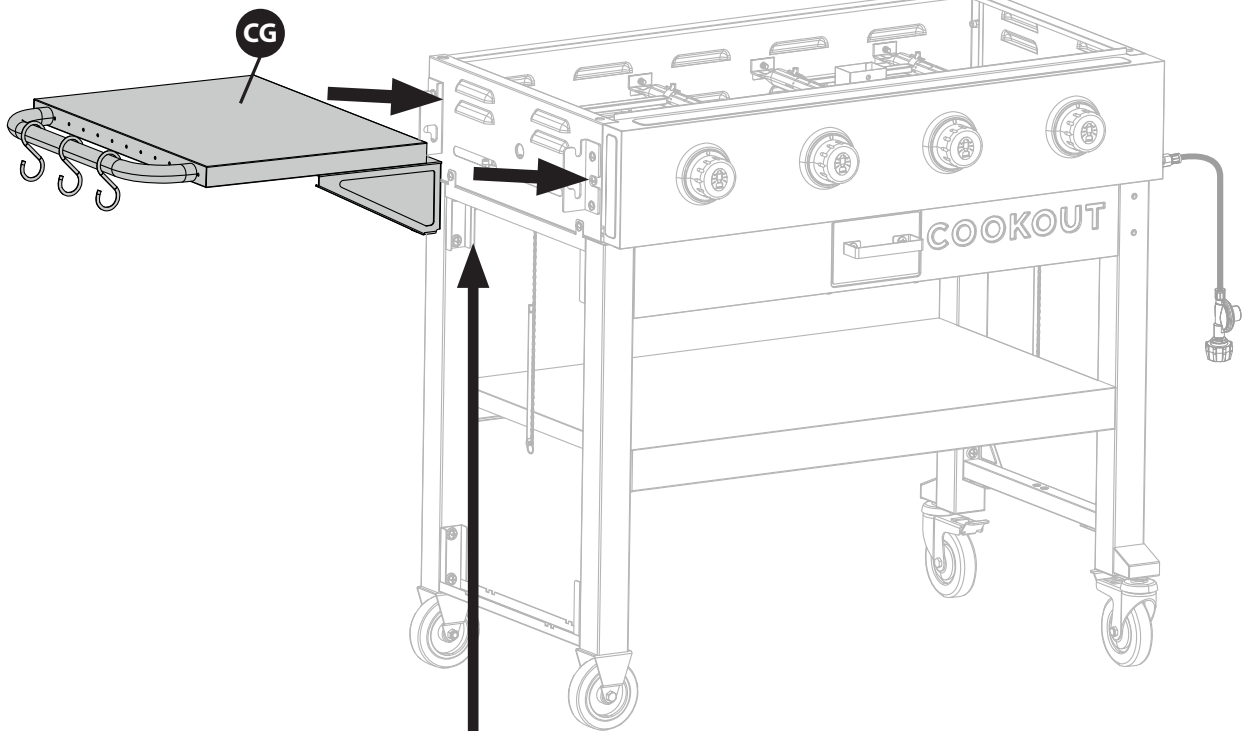
ASSEMBLY INSTRUCTIONS

16

7



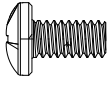
x 4



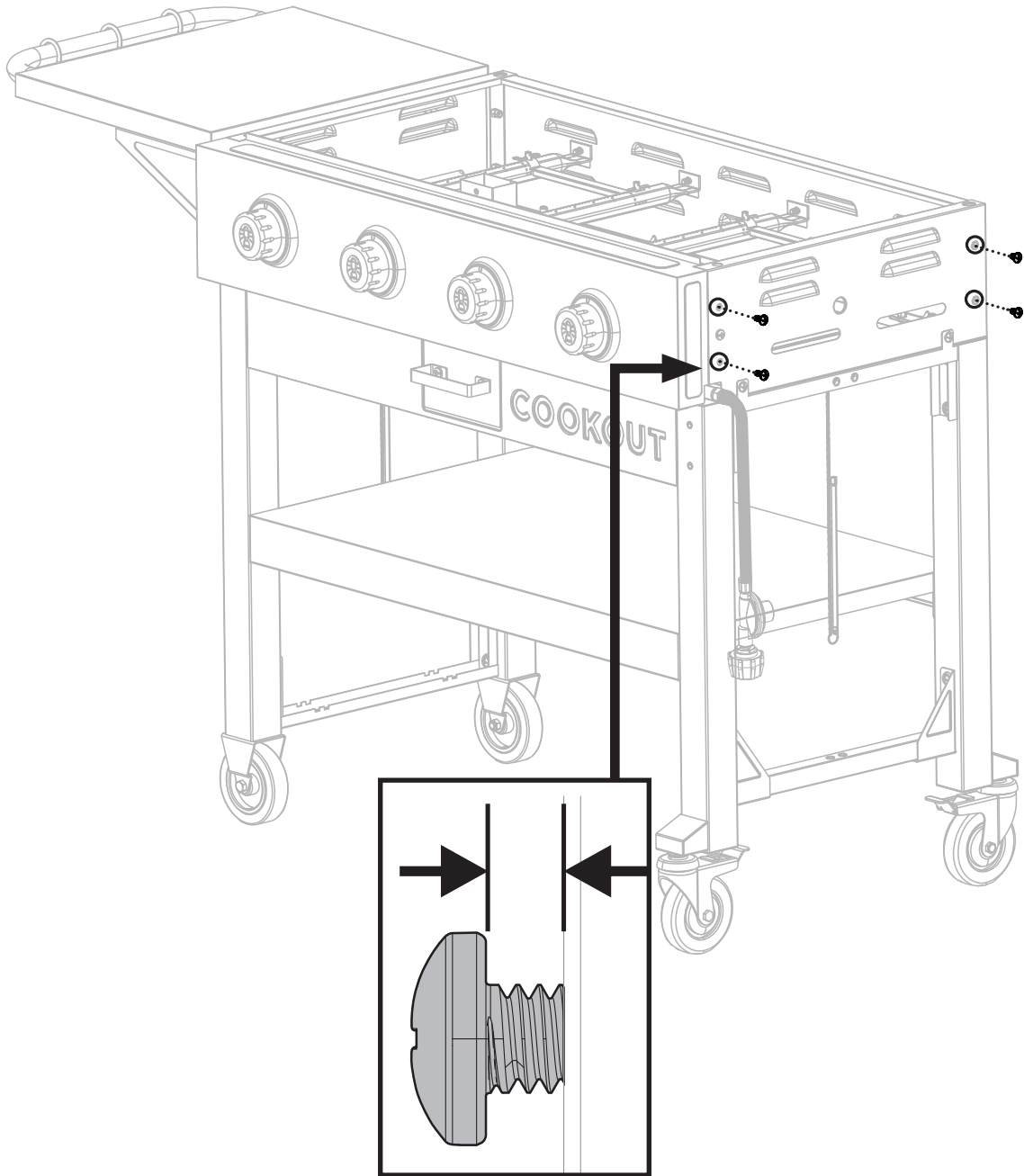
ASSEMBLY INSTRUCTIONS

17

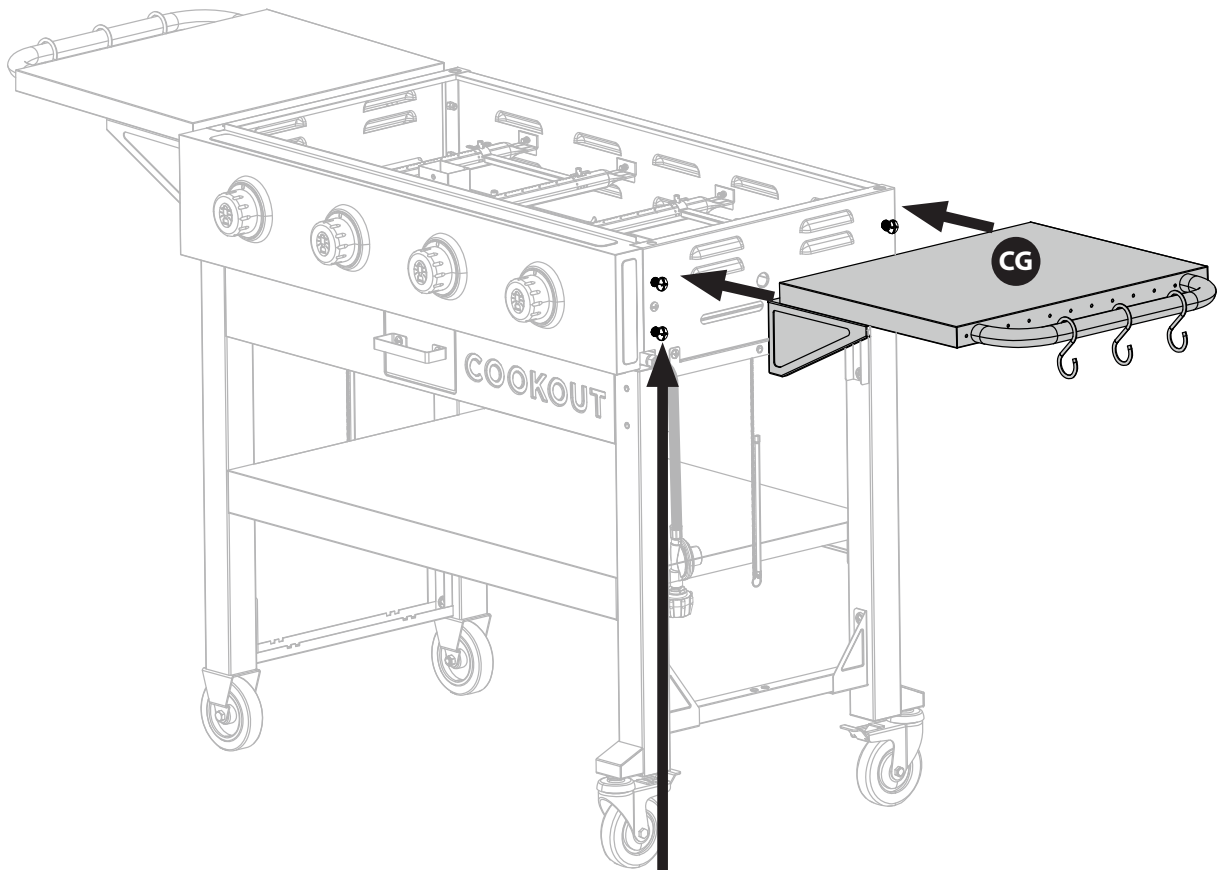
2



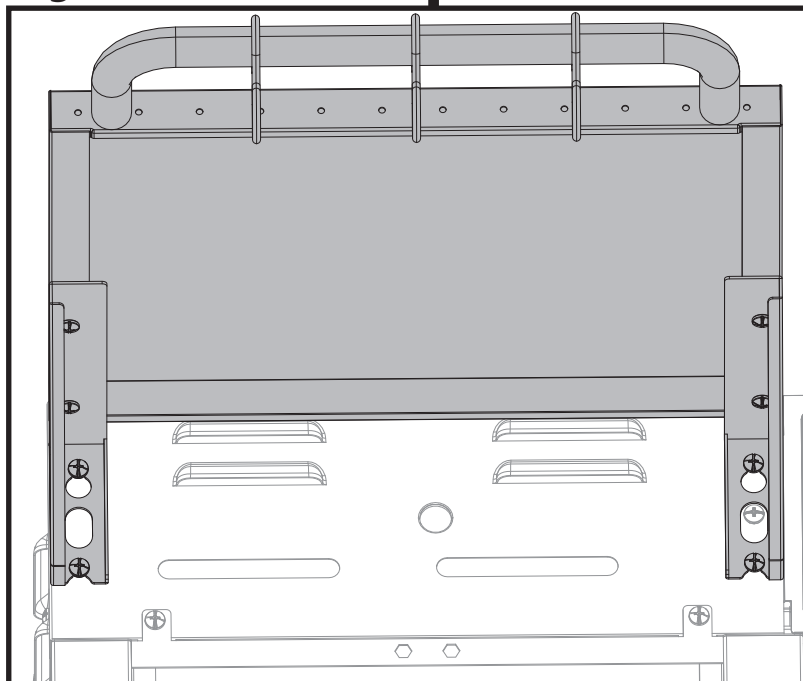
x 4



18



Tighten the screws.

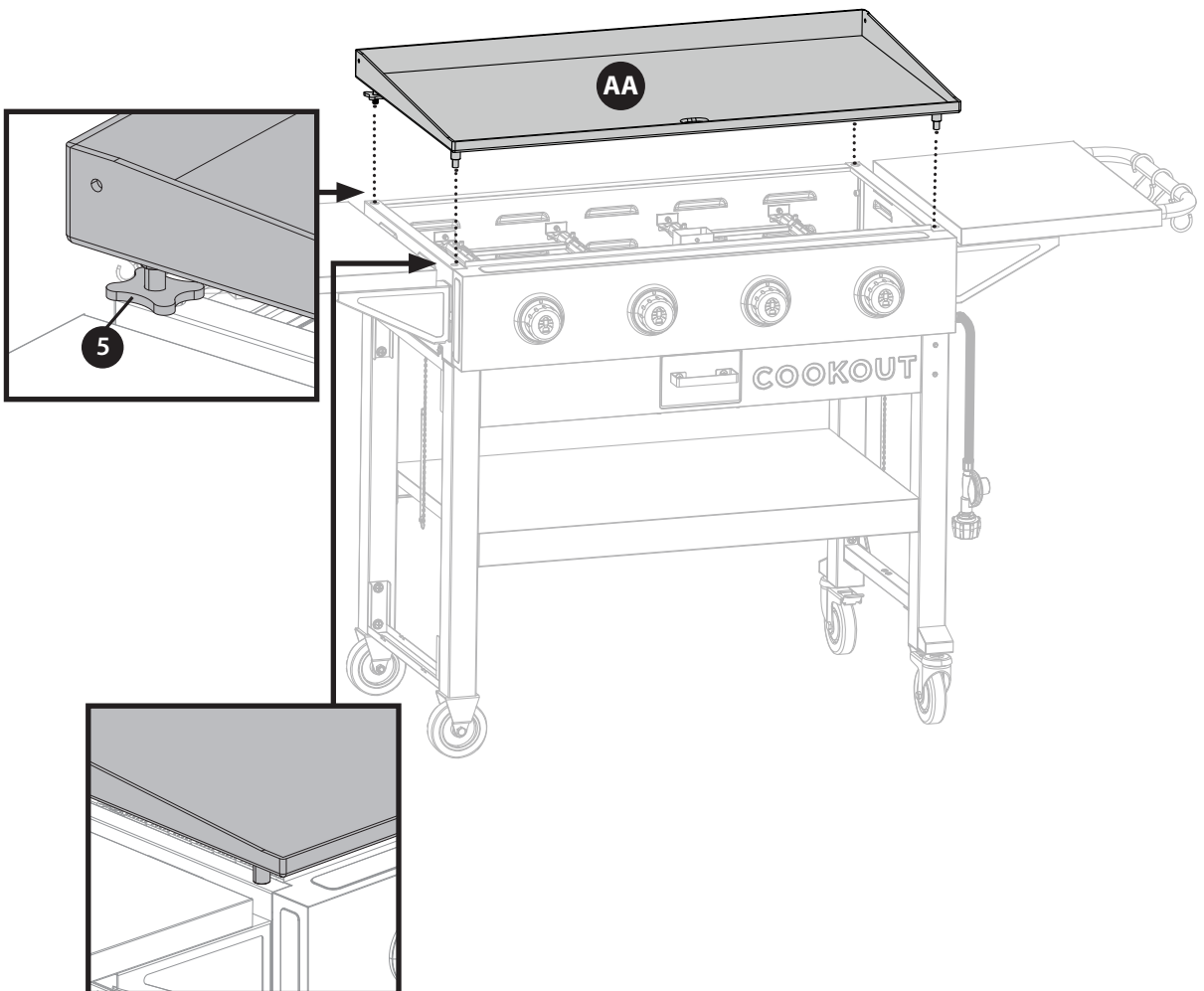
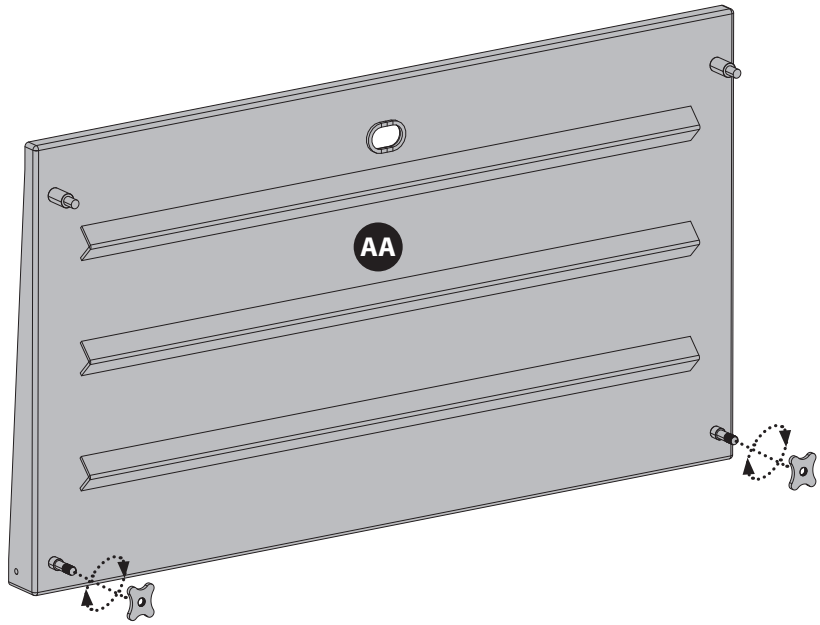


ASSEMBLY INSTRUCTIONS

19

5

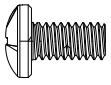
x2



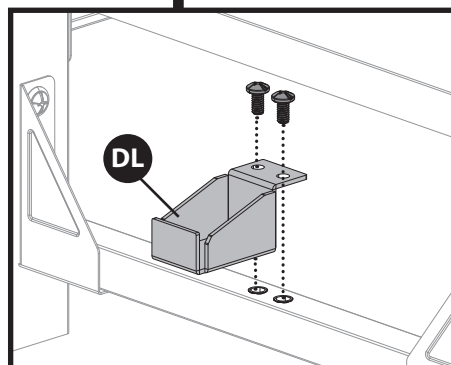
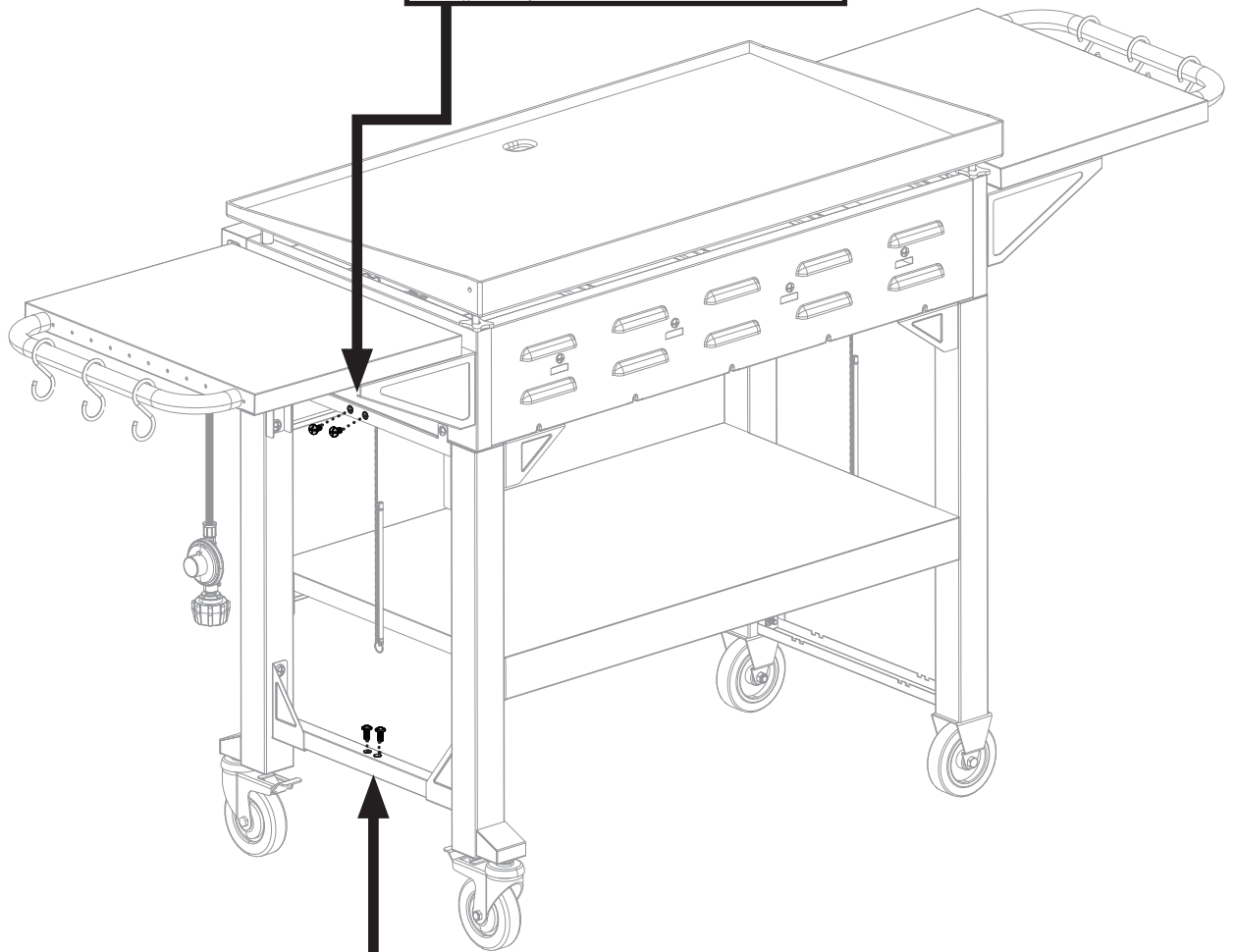
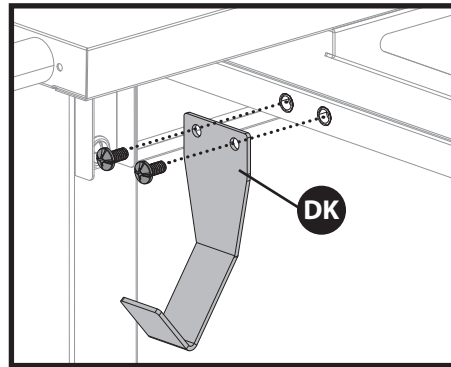
ASSEMBLY INSTRUCTIONS

20

2



x 4



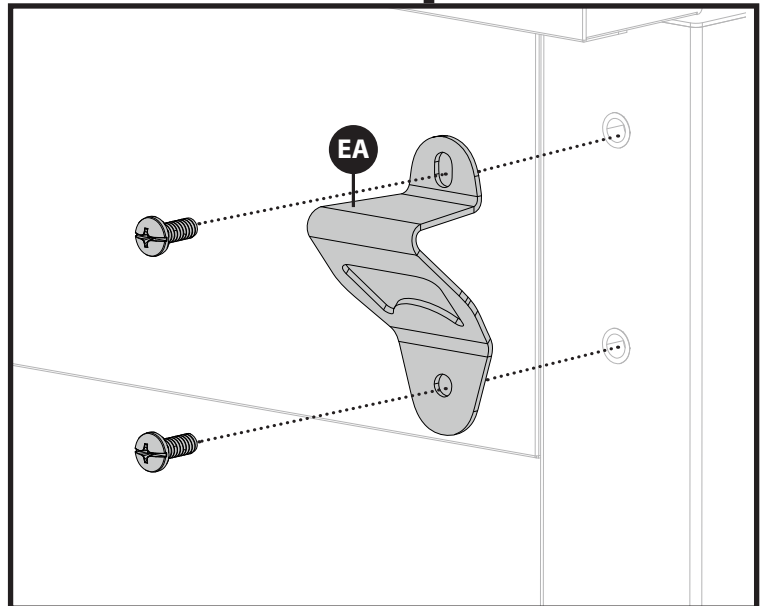
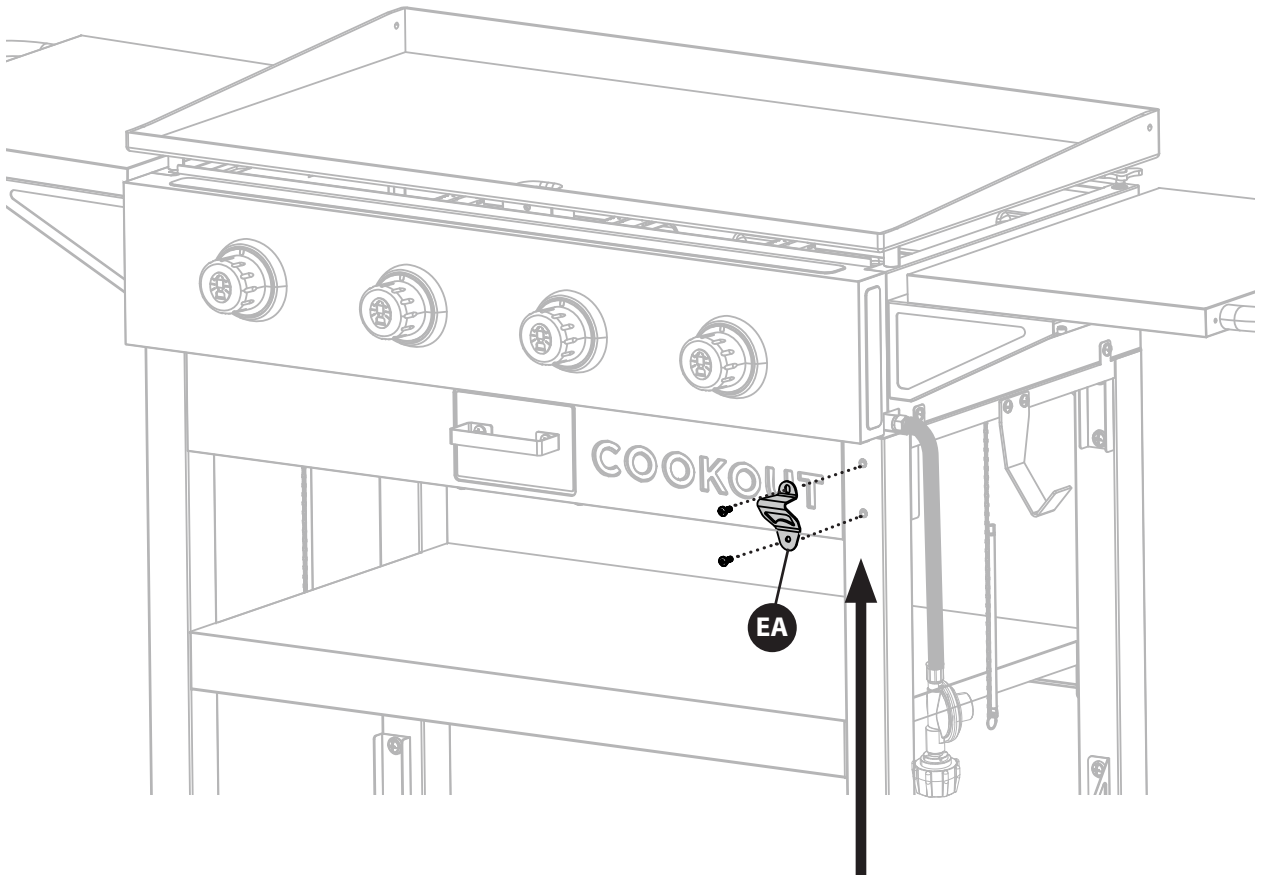
ASSEMBLY INSTRUCTIONS

21

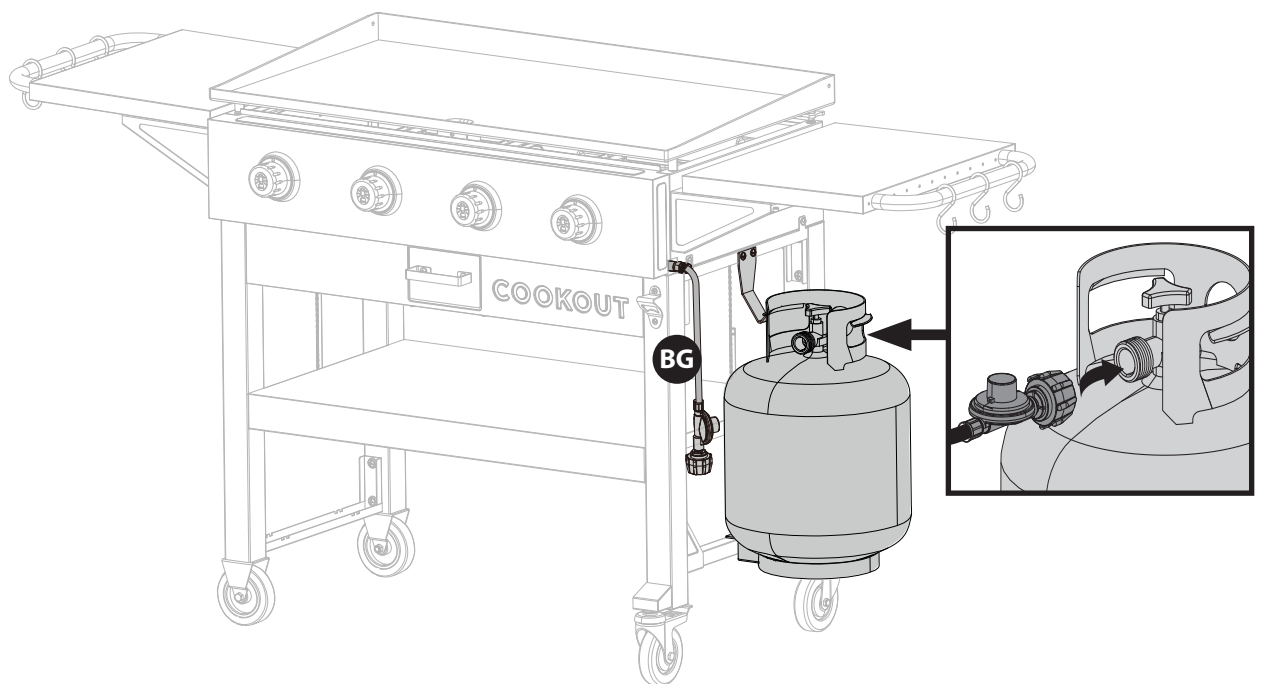
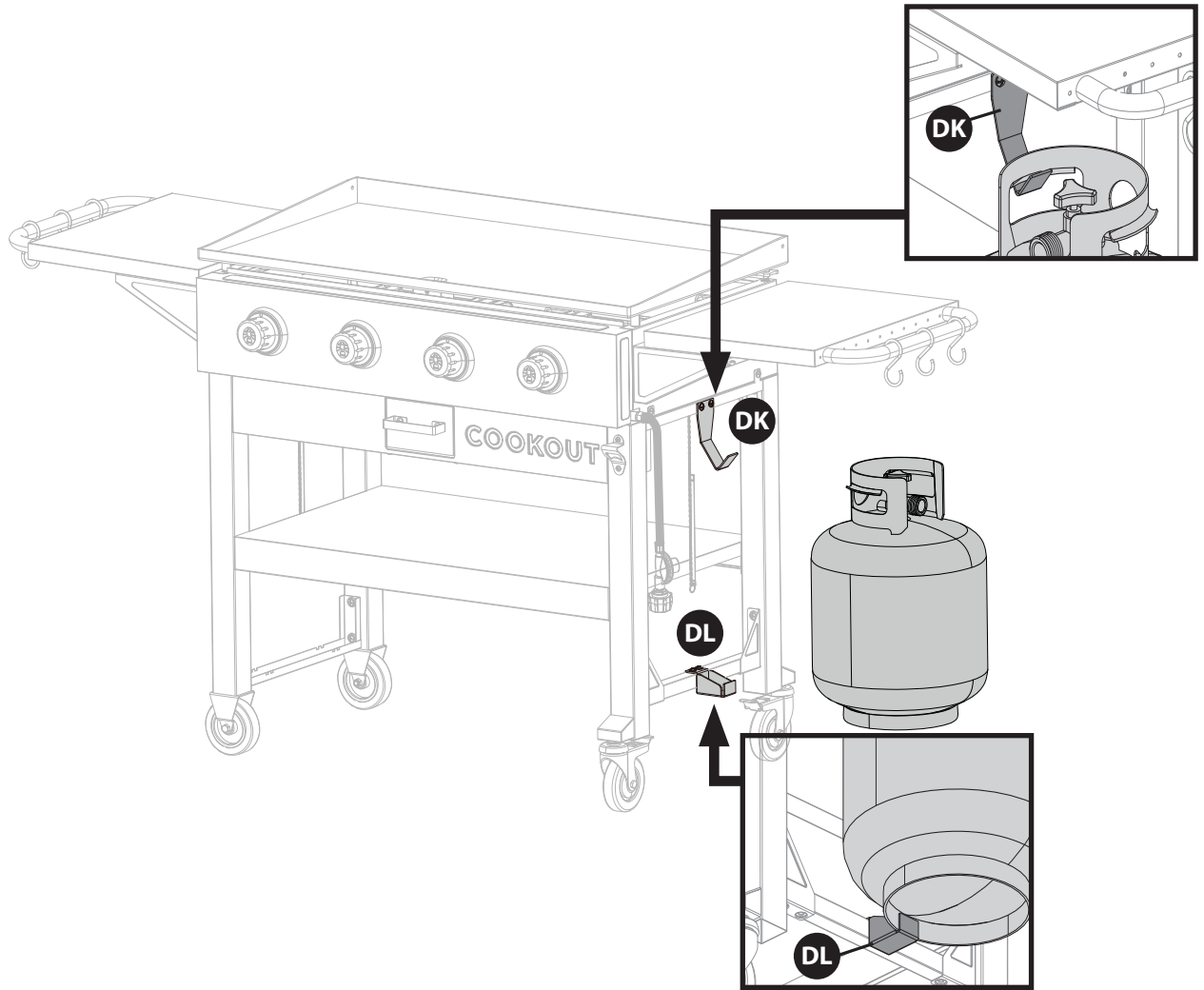
6



x2



22



ADDITIONAL WARNINGS

You have now completed the assembly of your Coleman® Cookout™ Griddle Station.

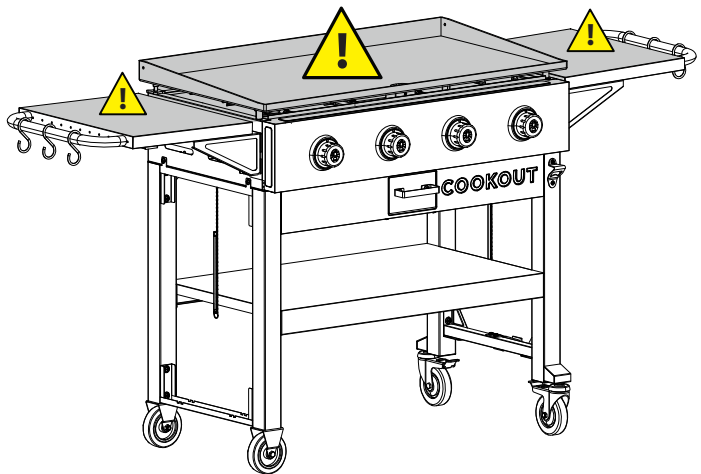
NEXT STEPS:

1. Position your Griddle
2. Read Safe Use & Care Manual
3. Perform Griddle Safety Check-list

▲ WARNING:

FOR YOUR FAMILIES SAFETY, DO NOT ATTEMPT TO LIGHT THIS GRIDDLE UNTIL YOU HAVE REVIEWED PAGES 4-7 OF THE COLEMAN® SAFE USE & CARE MANUAL. ALL SAFETY AND LEAK TESTS MUST BE PERFORMED BY THE END USER, PRIOR TO LIGHTING THIS GRIDDLE.

▲ WARNING HOT SURFACES:



POSITION YOUR GRIDDLE STATION

Always confirm that the Griddle station is not positioned under a combustible object (e.g. an awning or umbrella) or in a covered area (e.g. porch or gazebo) before lighting it, to prevent a possible fire.

Always confirm that the Griddle station is not positioned under the overhang of a house, a garage or other structure before lighting it. An overhang will serve to deflect flare-ups and radiate heat into the structure itself, which could result in a fire.



Always confirm that the Griddle station is positioned more than 36" (91.4cm) away from any combustible materials or surfaces before lighting it, and that no gasoline or other volatile substances are stored in the vicinity of this Griddle station. The temperature of a grease fire or of the radiated heat might otherwise be sufficient to ignite nearby combustibles or volatile substances. Do not position near windows, siding, or fencing.

Always locate the Griddle station where there will be ample combustion and ventilation air, but never position it in the direct path of a strong wind.



Licensed by BackHome Products LLC.

©2024 The Coleman Company, Inc.

Coleman®,  and  are registered trademarks of The Coleman Company, Inc. used under license.