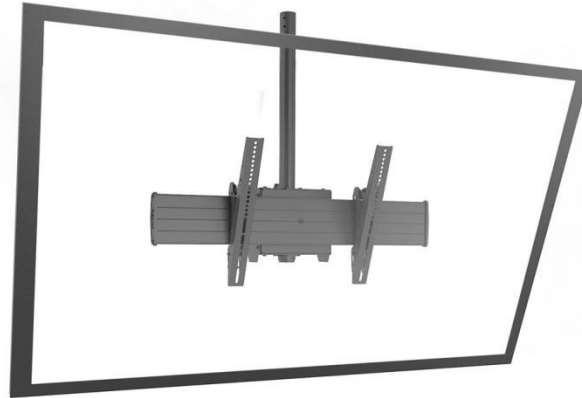




## FUSION X-Large Single Pole Flat Panel Ceiling Mount



Model: XCM1U

Chief Manufacturing XCM1U FUSION X-Large Single Pole Flat Panel Ceiling Mounts are installer inspired and offer perfect TV positioning and flexible adjustments for X-large flat panel screens. Great for digital signage installations. The XCM1U is a single pole drop ceiling mount perfect for XL displays 5" deep and thinner. For deeper and heavier displays, see Chief's XCM7000 for a dual drop solution.

- FUSION X-Large Single Pole Flat Panel Ceiling Mounts
- Ceiling Plate and extension column are required and must be ordered separately
- Compatible with traditional 1.5" NPT and new CPA pinned ceiling plates and column systems
- Continuous tilt ranges with four set locking points to eliminate guess work when adjusting multiple screens
- Simple on/off- connection for ease of installation and service
- Effortlessly adjust display using Centris fingertip tilt technology
- Tool free screen engagement with optional padlock security
- Mount swivels to any preferred viewing angle
- TAA compliant, UL Listed
- 250 lbs. weight capacity

Product Dimensions: 7.9" L x 34.8" W x 16.8" H

Product Weight: 23 lbs.