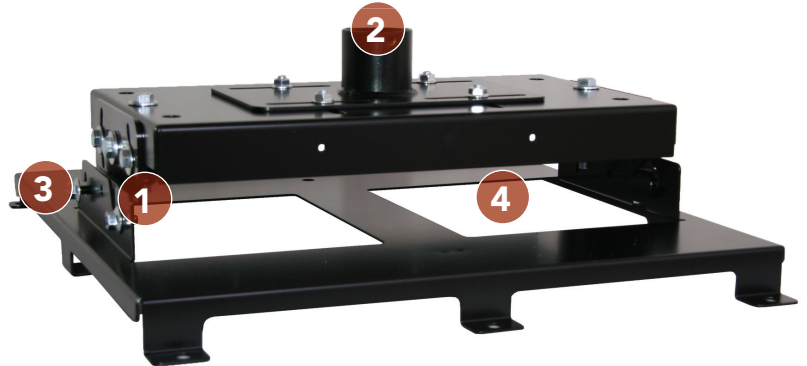




## FEATURES

- 1 INDEPENDENT ROLL, PITCH AND YAW**  
For quick and precise projector registration.
- 2 MULTIPLE INSTALLATION OPTIONS**  
Mounting options include: flush mount to ceiling, use 0.5" (12.7 mm) threaded rods or use a 1-1/2" NPT threaded extension column.
- 3 QUICK CONNECT/DISCONNECT**  
Convenient lamp and filter access on most projectors. Disconnecting maintains registration and doesn't affect pre-set adjustments.
- 4 CABLE MANAGEMENT**  
Route cables through top of mount without additional accessories.



## SPECIFICATIONS

Roll	±5°
Pitch	±20°
Yaw	360°
Dimensions* (HxWxD)	3.8" x 14.6" x 12.3" (97 x 371 x 312 mm)
Color	Black
Weight Capacity	250 lbs (113.4 kg)

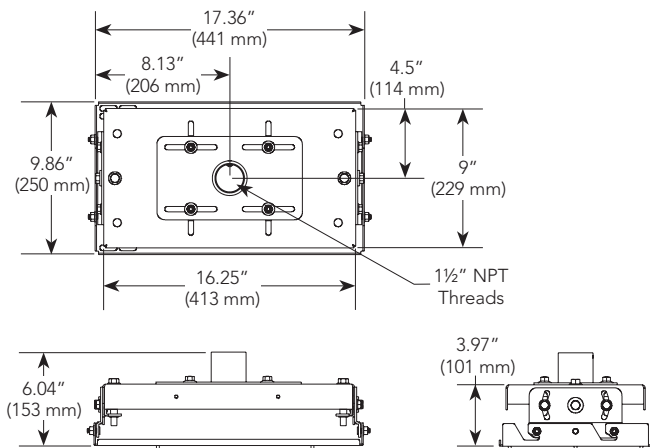
\* Dimensions don't include interface bracket

## WHAT YOU NEED TO KNOW

### ABOUT VCM

- Industry-first microadjustable independent roll, pitch and yaw
- Three mounting methods
- Custom option only
- Ships fully assembled with everything you need for installation in one box
- Compatible with a wide array of accessories

## TECHNICAL DRAWINGS



## RECOMMENDED ACCESSORIES



**CMA STRUCTURAL ADAPTERS**



**CMS EXTENSION COLUMNS**



**LPK1** ■ Flush Mount Kit

For a complete list of projector mount accessories see page 18.