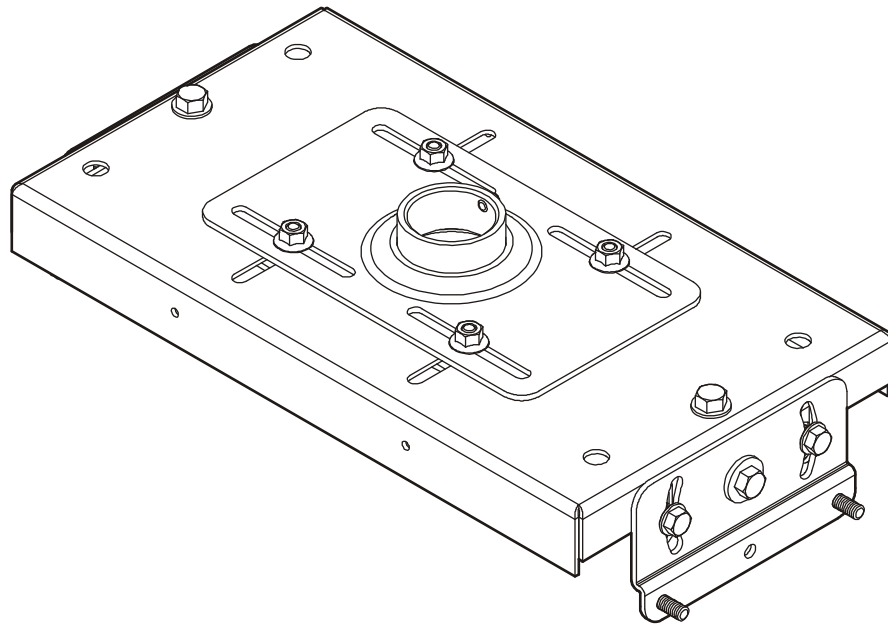

INSTALLATION INSTRUCTIONS



HD Projector Mount

DISCLAIMER

Milestone AV Technologies and its affiliated corporations and subsidiaries (collectively "Milestone"), intend to make this manual accurate and complete. However, Milestone makes no claim that the information contained herein covers all details, conditions or variations, nor does it provide for every possible contingency in connection with the installation or use of this product. The information contained in this document is subject to change without notice or obligation of any kind. Milestone makes no representation of warranty, expressed or implied, regarding the information contained herein. Milestone assumes no responsibility for accuracy, completeness or sufficiency of the information contained in this document.

Chief® is a registered trademark of Milestone AV Technologies. All rights reserved.



WARNING: Never operate this mounting system if it is damaged. Return the mounting system to a service center for examination and repair.



WARNING: Do not use this product outdoors.

IMPORTANT ! : These instructions assume that an appropriate mounting method (not included) has already been properly installed to a ceiling structure.

--SAVE THESE INSTRUCTIONS--



IMPORTANT SAFETY INSTRUCTIONS



WARNING: A WARNING alerts you to the possibility of serious injury or death if you do not follow the instructions.



CAUTION: A CAUTION alerts you to the possibility of damage or destruction of equipment if you do not follow the corresponding instructions.



WARNING: Failure to read, thoroughly understand, and follow all instructions can result in serious personal injury, damage to equipment, or voiding of factory warranty! It is the installer's responsibility to make sure all components are properly assembled and installed using the instructions provided.



WARNING: Failure to provide adequate structural strength for this component can result in serious personal injury or damage to equipment! It is the installer's responsibility to make sure the structure to which this component is attached can support five times the combined weight of all equipment. Reinforce the structure as required before installing the component.



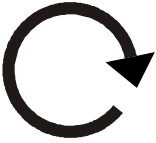

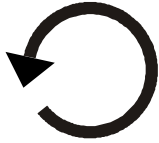
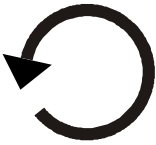

WARNING: Exceeding the weight capacity can result in serious personal injury or damage to equipment! It is the installer's responsibility to make sure the combined weight of all components located between the supporting structure and the VCM does not exceed 250 lbs (113.4 kg).

- The weight capacity of the VCM may be LIMITED to the lowest weight capacity of any other component located between the VCM and the supporting structure!

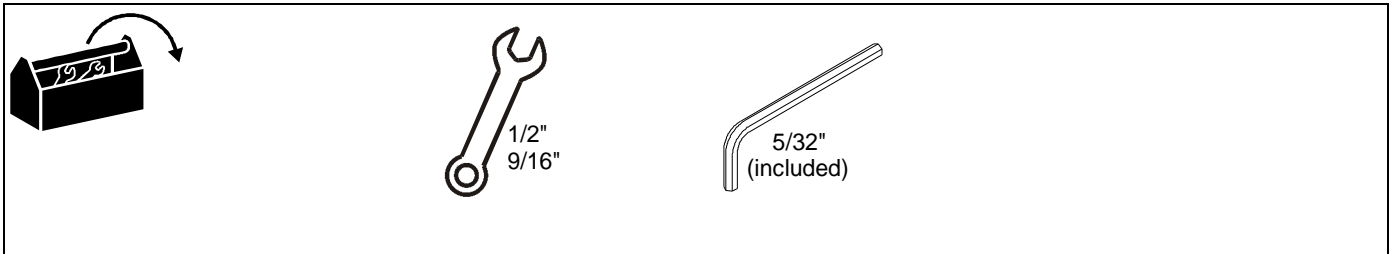


WARNING: Use this mounting system only for its intended use as described in these instructions. Do not use attachments not recommended by the manufacturer.

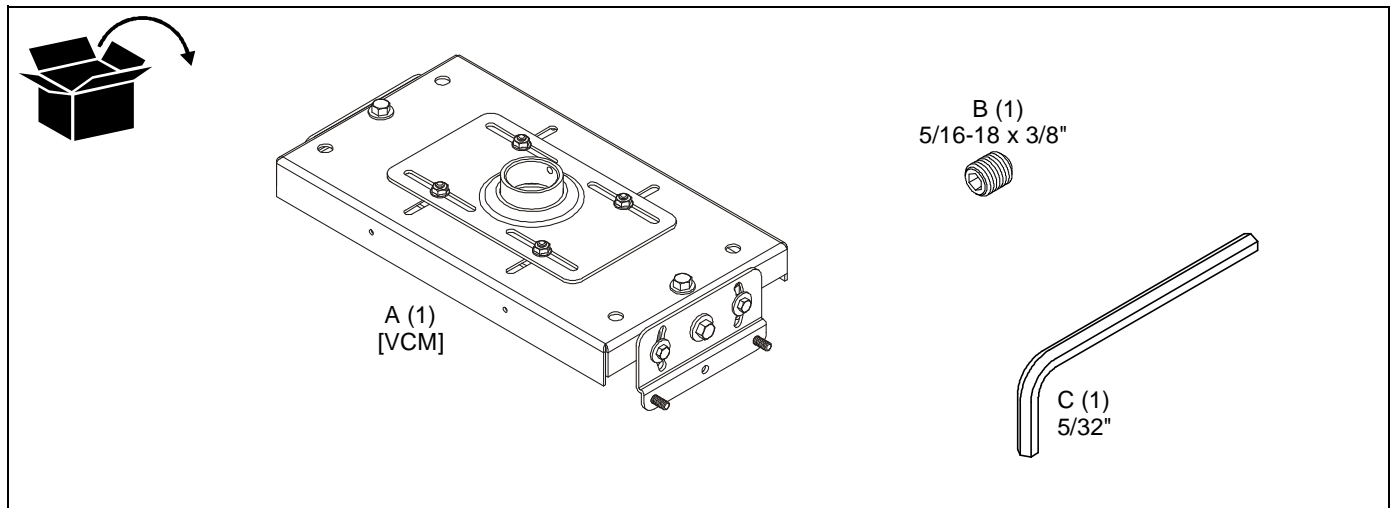
LEGEND

	Tighten Fastener		Adjust
	Apretar elemento de fijación		Ajustar
	Befestigungsteil festziehen		Einstellen
	Apertar fixador		Ajustar
	Serrare il fissaggio		Regolare
	Bevestiging vastdraaien		Afstellen
Serrez les fixations	Ajuster		Open-Ended Wrench
	Loosen Fastener		Llave de boca
	Aflojar elemento de fijación		Gabelschlüssel
	Befestigungsteil lösen		Chave de bocas
	Desapertar fixador		Chiave a punte aperte
	Allentare il fissaggio		Steeksleutel
	Bevestiging losdraaien	Clé à fourche	
	Hex-Head Wrench		
	Llave de cabeza hexagonal		
	Sechskantschlüssel		
	Chave de cabeça sextavada		
	Chiave esagonale		
	Zeskantsleutel		
Clé à tête hexagonale			

TOOLS REQUIRED FOR INSTALLATION



PARTS



INSTALLATION

IMPORTANT ! : The following procedure assumes that the ceiling plate/adaptor (not included) has been properly installed following instructions provided with ceiling plate/adaptor.



WARNING: FAILURE TO PROVIDE ADEQUATE STRUCTURAL STRENGTH FOR THIS COMPONENT CAN RESULT IN SERIOUS PERSONAL INJURY OR DAMAGE TO EQUIPMENT! It is the installer's responsibility to make sure the structure to which this component is attached can support five times the combined weight of all equipment. Reinforce the structure as required before installing the component.

Installing VCM Mount to NPT Pipe

IMPORTANT ! : These installation instructions assume that a 1-1/2" NPT or NPSM (Schedule 40, 0.154" minimum thickness aluminum - ASTM B221) pipe (not included) has been properly installed and is in place.

1. Thread the VCM mount (A) onto the existing 1-1/2" NPT pipe until tight. (See Figure 1)

NOTE: Ensure that long edge of VCM mount is located parallel to the screen. (See Figure 1)

2. Tighten the 5/16-18 x 3/8" set screw (B) into the VCM mount threaded collar to prevent movement of the VCM. (See Figure 1)

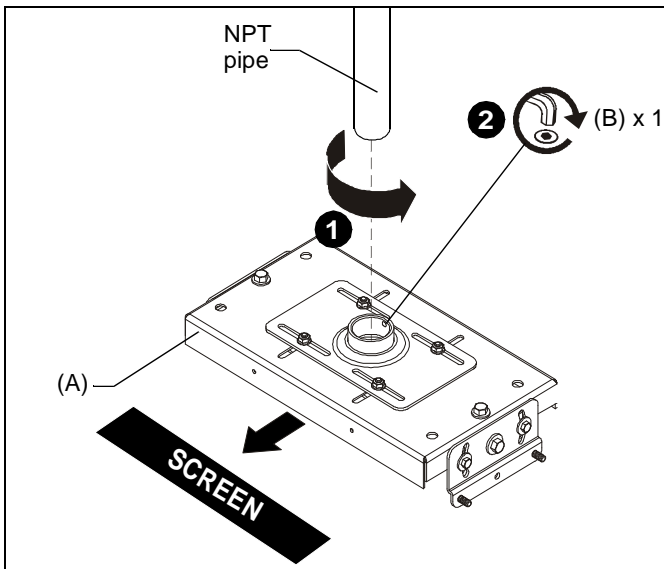


Figure 1

Installing HB Bracket

1. Install HB bracket (not included) to the projector (not included) following instructions included with HB bracket.



CAUTION: Installing a ceiling mount requires the presence of two persons familiar with mechanical installations. A third assistant is recommended.

2. Install HB bracket with attached projector (not included) to the VCM mount following instructions included with HB bracket.

Adjustments



WARNING: MOUNTING HARDWARE IS TO BE LOOSENED ONLY ENOUGH TO ALLOW FOR NECESSARY MOVEMENT. Over-loosening or removal of mounting hardware may result in personal injury or serious damage to equipment!

Horizontal Adjustments (See Figure 2)

1. Loosen, but do NOT remove, the four nuts holding the top slide bracket on the VCM mount.
2. Adjust VCM mount up to 1-1/2" in any direction.
3. Tighten the nuts loosened (in Step 1) on the top slide bracket.

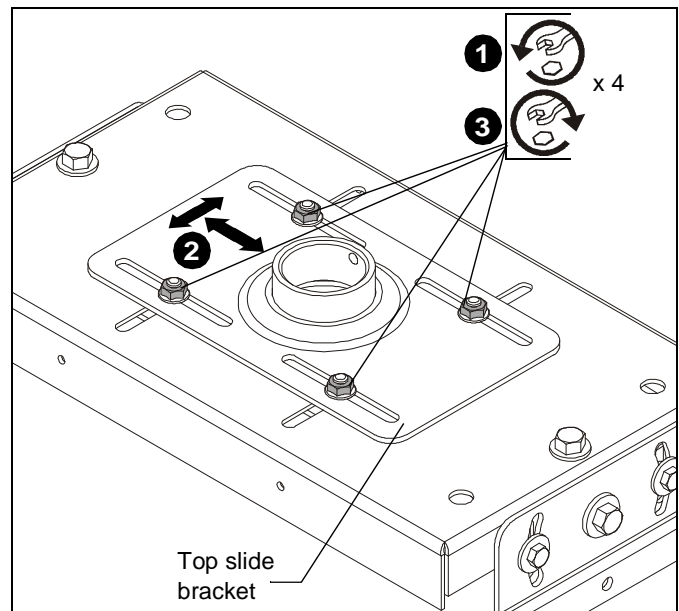


Figure 2

Roll (Horizontal Tilt) (See Figure 3)

4. Loosen three bolts on each end of the VCM mount.
5. Turn adjustment bolts (one at each end of VCM mount top) as required.
 - Turn **CLOCKWISE** to raise
 - Turn **COUNTERCLOCKWISE** to lower
6. Securely tighten three bolts on each end of VCM mount.

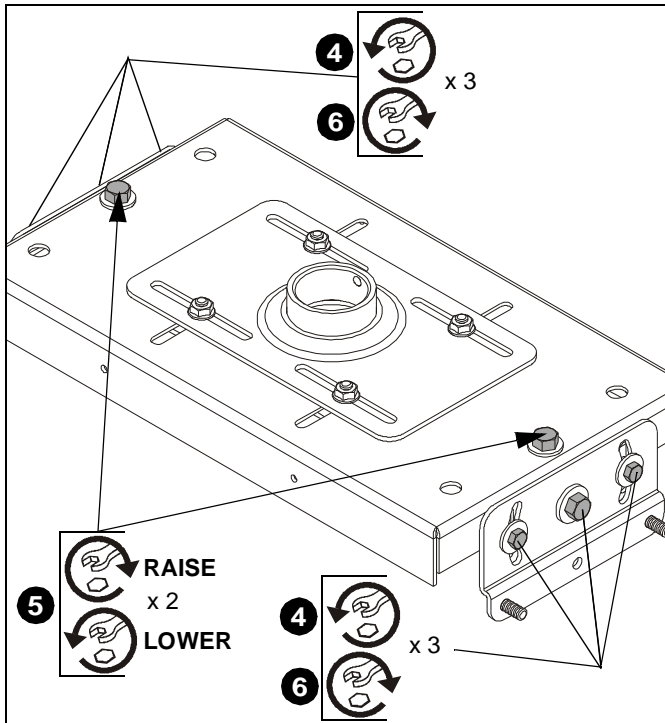


Figure 3

Pitch (Vertical Elevation) (See Figure 4)

7. Loosen two outside bolts on each end of the VCM mount.
8. Tilt projector to desired direction.
9. Securely tighten two outside bolts on each end of VCM mount.

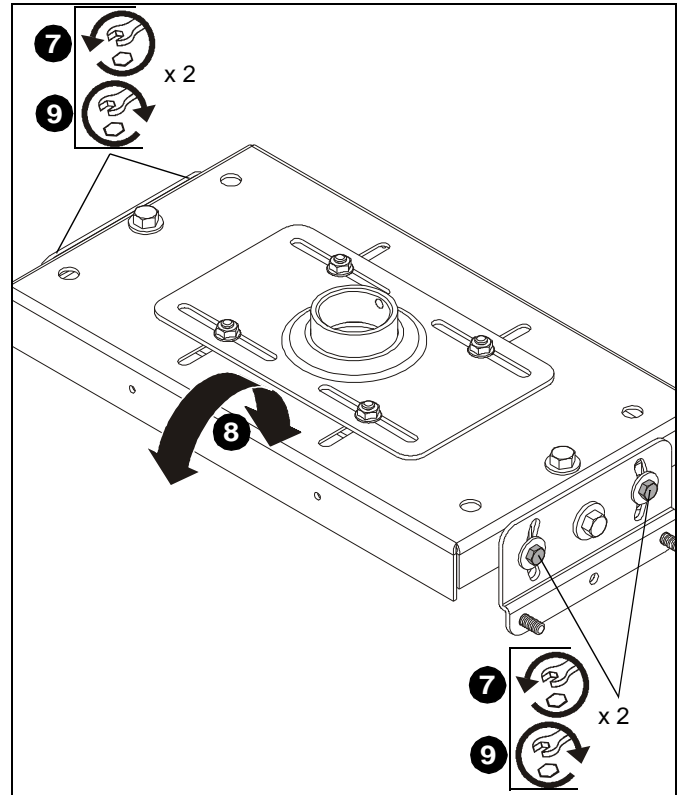


Figure 4



Our Mounts. **Your Vision.**

Chief Manufacturing, a products division
of Milestone AV Technologies

8800-002128 Rev00
©2011 Milestone AV Technologies, a
Duchossois Group Company
www.chiefmfg.com
10/11

USA/International	A 8401 Eagle Creek Parkway, Savage, MN 55378 P 800.582.6480 / 952.894.6280 F 877.894.6918 / 952.894.6918
Europe	A Fellenoord 130 5611 ZB EINDHOVEN, The Netherlands P +31 (0)40 2668620 F +31 (0)40 2668615
Asia Pacific	A Office No. 1 on 12/F, Shatin Galleria 18-24 Shan Mei Street Fotan, Shatin, Hong Kong P 852 2145 4099 F 852 2145 4477

