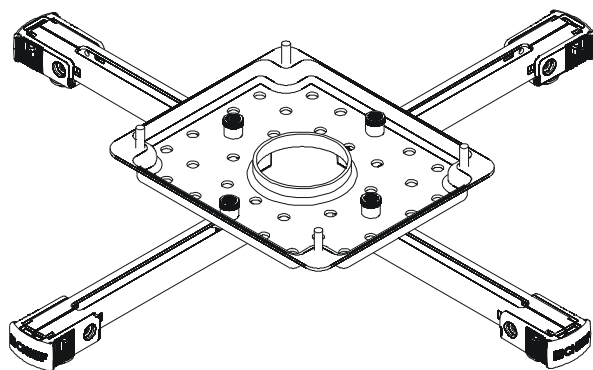


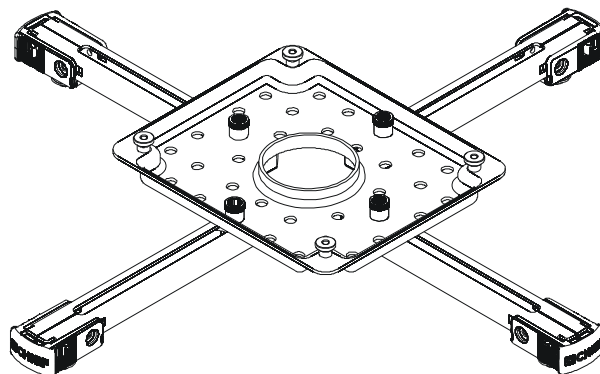
---

# INSTALLATION INSTRUCTIONS

---



SLBU



SLMU

---

## Universal Interface Brackets

---

**DISCLAIMER**

Milestone AV Technologies and its affiliated corporations and subsidiaries (collectively "Milestone"), intend to make this manual accurate and complete. However, Milestone makes no claim that the information contained herein covers all details, conditions or variations, nor does it provide for every possible contingency in connection with the installation or use of this product. The information contained in this document is subject to change without notice or obligation of any kind. Milestone makes no representation of warranty, expressed or implied, regarding the information contained herein. Milestone assumes no responsibility for accuracy, completeness or sufficiency of the information contained in this document.

Chief® is a registered trademark of Milestone AV Technologies. All rights reserved.

**! IMPORTANT WARNINGS AND CAUTIONS!**

**! WARNING:** A WARNING alerts you to the possibility of serious injury or death if you do not follow the instructions.

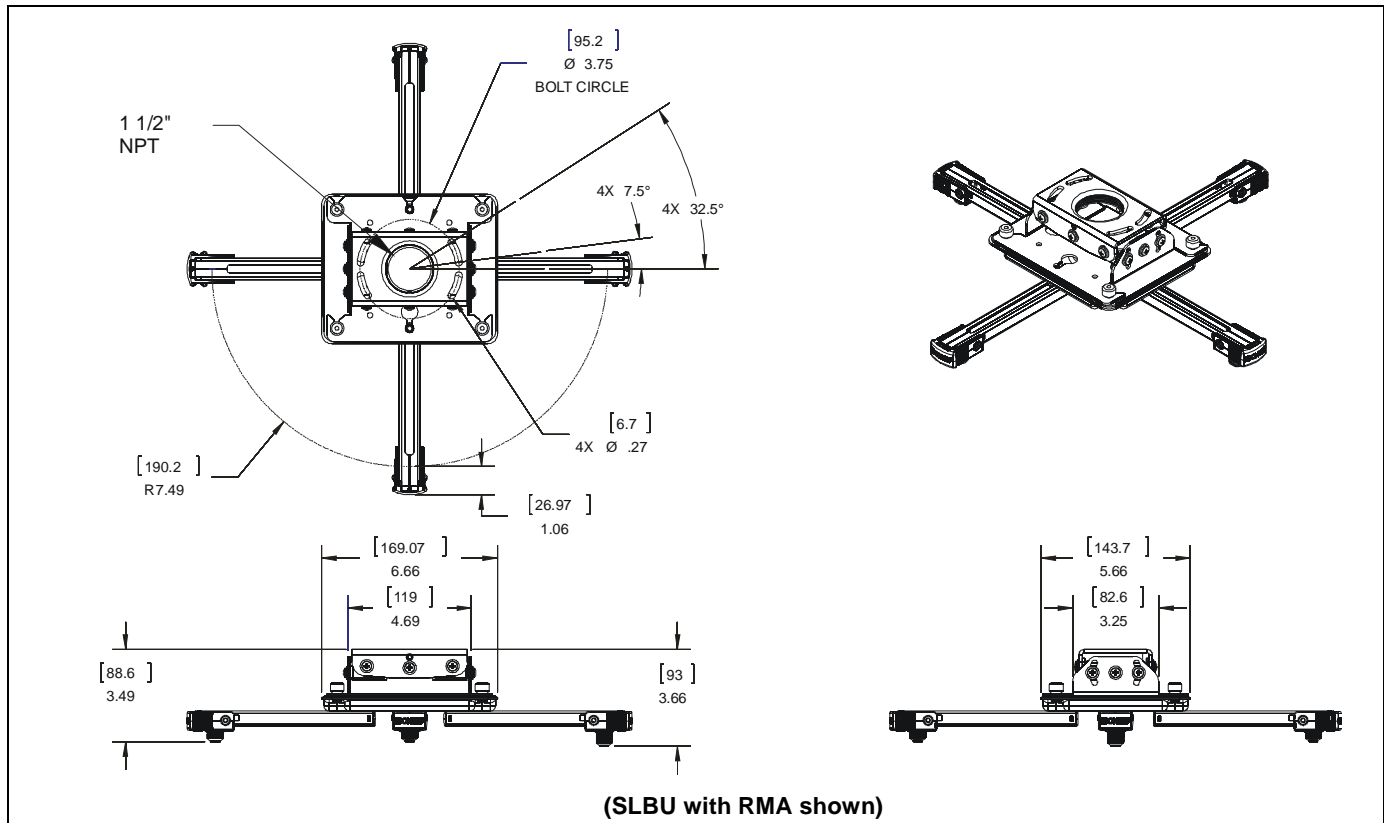
**! CAUTION:** A CAUTION alerts you to the possibility of damage or destruction of equipment if you do not follow the corresponding instructions.

**! WARNING:** Failure to read, thoroughly understand, and follow all instructions can result in serious personal injury, damage to equipment, or voiding of factory warranty! It is the installer's responsibility to make sure all components are properly assembled and installed using the instructions provided.



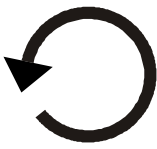









**! WARNING:** Failure to provide adequate structural strength for this component can result in serious personal injury or damage to equipment! It is the installer's responsibility to make sure the structure to which this component is attached can support five times the combined weight of all equipment. Reinforce the structure as required before installing the component.

**! WARNING:** Exceeding the weight capacity can result in serious personal injury or damage to equipment! It is the installer's responsibility to make sure the combined weight of all components attached to the SLBU-SLMU interface brackets does not exceed 50 lbs (22.68 kg).

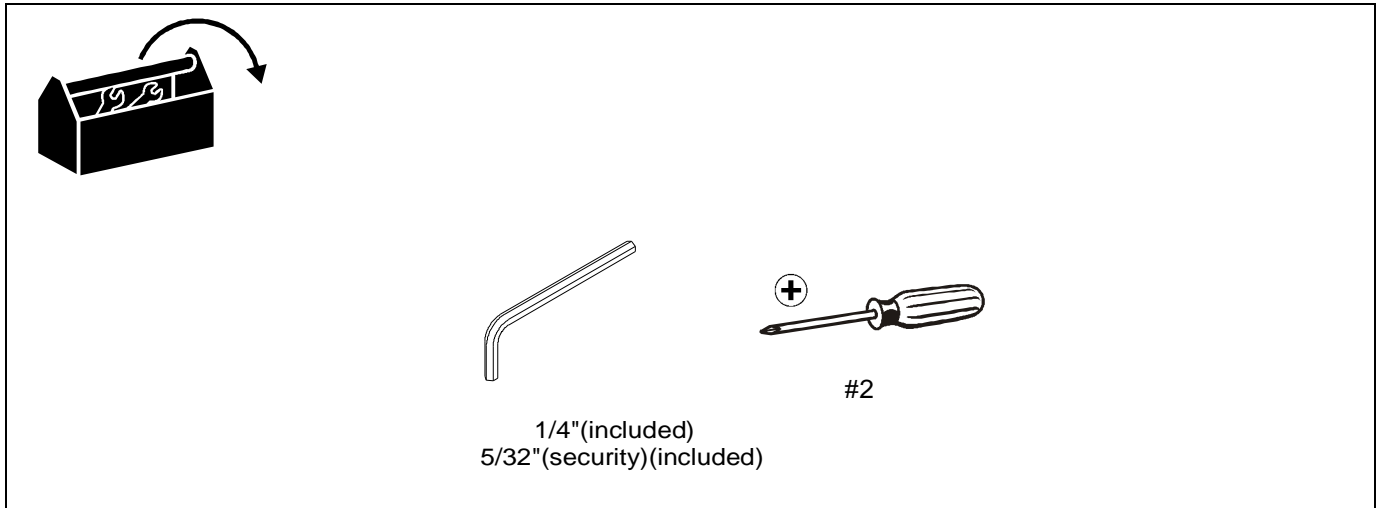
**DIMENSIONS**



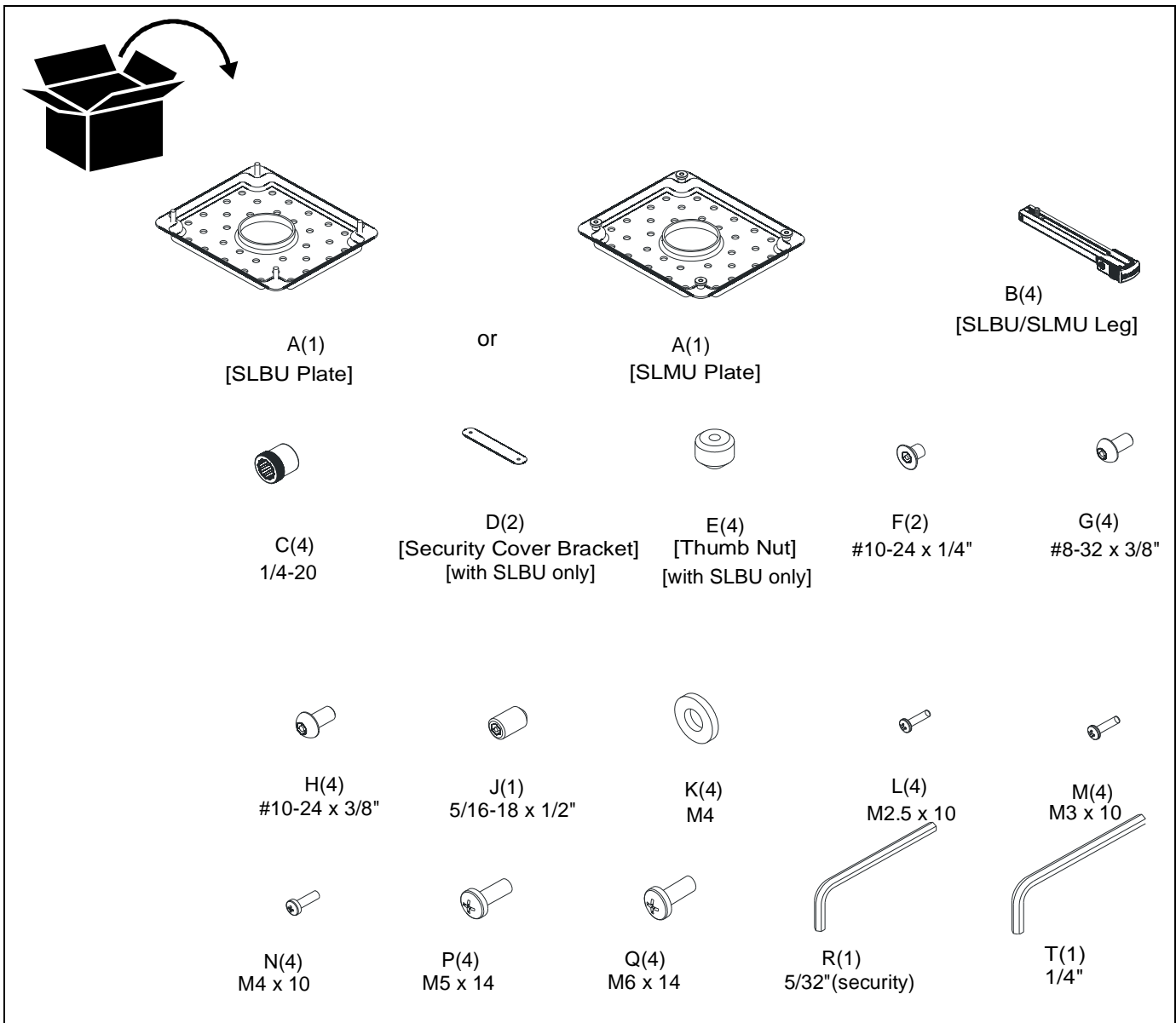
**LEGEND**

|   |  |  |   |
|---|--|--|---|
|    | <p><b>Tighten Fastener</b><br/>                 Apretar elemento de fijación<br/>                 Befestigungsteil festziehen<br/>                 Apertar fixador<br/>                 Serrare il fissaggio<br/>                 Bevestiging vastdraaien<br/>                 Serrez les fixations</p>                  |    | <p><b>Pencil Mark</b><br/>                 Marcar con lápiz<br/>                 Stiftmarkierung<br/>                 Marcar com lápis<br/>                 Segno a matita<br/>                 Potloodmerkteken<br/>                 Marquage au crayon</p>                  |
|    | <p><b>Loosen Fastener</b><br/>                 Aflojar elemento de fijación<br/>                 Befestigungsteil lösen<br/>                 Desapertar fixador<br/>                 Allentare il fissaggio<br/>                 Bevestiging losdraaien<br/>                 Desserrez les fixations</p>                 |    | <p><b>Drill Hole</b><br/>                 Perforar<br/>                 Bohrloch<br/>                 Fazer furo<br/>                 Praticare un foro<br/>                 Gat boren<br/>                 Percez un trou</p>  |
|   | <p><b>Phillips Screwdriver</b><br/>                 Destornillador Phillips<br/>                 Kreuzschlitzschraubendreher<br/>                 Chave de fendas Phillips<br/>                 Cacciavite a stella<br/>                 Kruiskopschroevendraaier<br/>                 Tournevis à pointe cruciforme</p> |   | <p><b>Socket Wrench</b><br/>                 Llave de cubo<br/>                 Llave de cubo<br/>                 Chave de caixa<br/>                 Chiave a brugola<br/>                 Dopsleutel<br/>                 Clé à douilles</p>                               |
|  | <p><b>Open-Ended Wrench</b><br/>                 Llave de boca<br/>                 Gabelschlüssel<br/>                 Chave de bocas<br/>                 Chiave a punte aperte<br/>                 Steeksleutel<br/>                 Clé à fourche</p>   |  | <p><b>Remove</b><br/>                 Quitar<br/>                 Entfernen<br/>                 Remover<br/>                 Rimuovere<br/>                 Verwijderen<br/>                 Retirez</p>   |
|  | <p><b>By Hand</b><br/>                 A mano<br/>                 Von Hand<br/>                 Com a mão<br/>                 A mano<br/>                 Met de hand<br/>                 À la main</p>   |  | <p><b>Optional</b><br/>                 Opcional<br/>                 Optional<br/>                 Opcional<br/>                 Opzionale<br/>                 Optie<br/>                 En option</p>   |
|  | <p><b>Hex-Head Wrench</b><br/>                 Llave de cabeza hexagonal<br/>                 Sechskantschlüssel<br/>                 Chave de cabeça sextavada<br/>                 Chiave esagonale<br/>                 Zeskantsleutel<br/>                 Clé à tête hexagonale</p>                                 |  | <p><b>Security Wrench</b><br/>                 Llave de seguridad<br/>                 Sicherheitsschlüssel<br/>                 Chave de segurança<br/>                 Chiave di sicurezza<br/>                 Veiligheidssleutel<br/>                 Clé de sécurité</p> |

**TOOLS REQUIRED FOR INSTALLATION**



**PARTS**



## Assembly And Installation

### Remove Screw Adapters from SLBU/SLMU Legs

1. Press locking buttons on SLBU/SLMU leg (B) firmly and simultaneously push clip cover toward enclosed sliding stud mount bracket and screw. (See Figure 1)
2. Screw adapter and attached height-adjustment nut will be released. Set aside for later use. (See Figure 1)
3. Repeat Steps 1-2 for each leg to be used in installation.

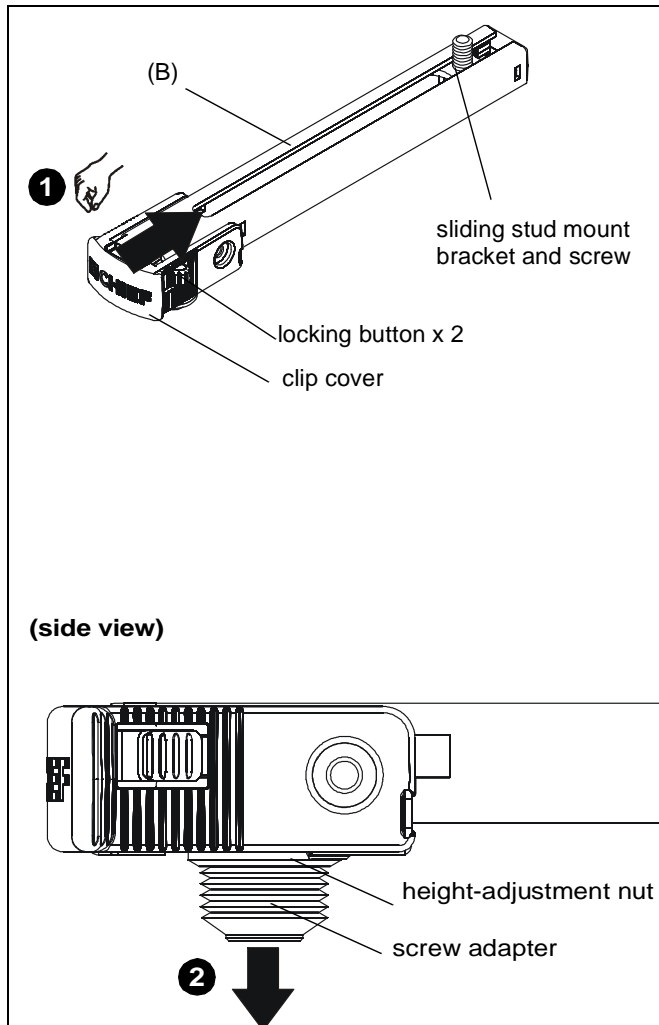


Figure 1

### Attach Projector to SLBU/SLMU



**WARNING:** Exceeding the weight capacity can result in serious personal injury or damage to equipment! It is the installer's responsibility to make sure the combined weight of all components attached to the SLBU-SLMU interface brackets does not exceed 50 lbs (22.68 kg).

1. Determine proper size screw to insert into projector. Test Phillips screws (L,M,N,P and Q) provided until one fits the projector holes.
2. Insert screws through M4 flat washers (K), screw adapters with height-adjustable nuts and into projector holes. (See

Figure 2)

**NOTE:** Only use washers (K) if using L or M screws to attach screw adapters to projector.

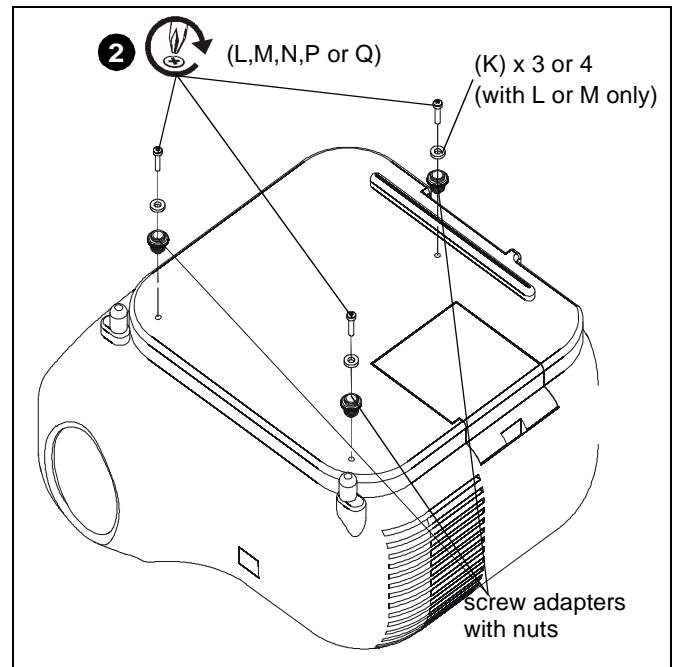


Figure 2

3. Adjust height-adjustment nuts to desired level. (See Figure 3)

**NOTE:** Height-adjustment nuts should be adjusted as low as possible while ensuring that the legs will always clear any elevated surfaces on the projector. All nuts must be adjusted to the same level to ensure an even mount.

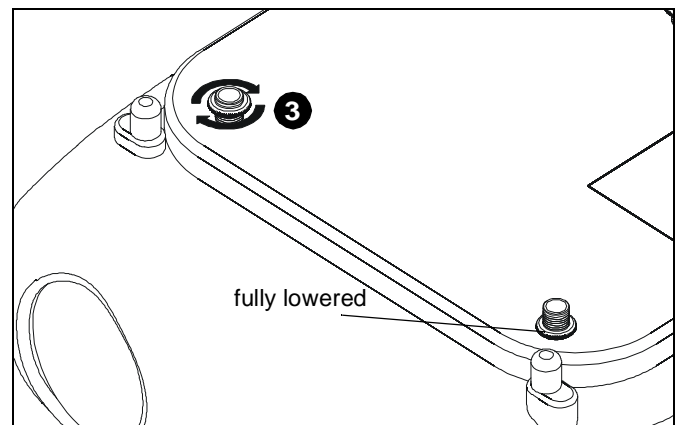


Figure 3

4. Place SLBU/SLMU legs (C) over screw adapters and height-adjustment nuts. (See Figure 4)

**NOTE:** Make sure arm latch clips are in the unlocked position.

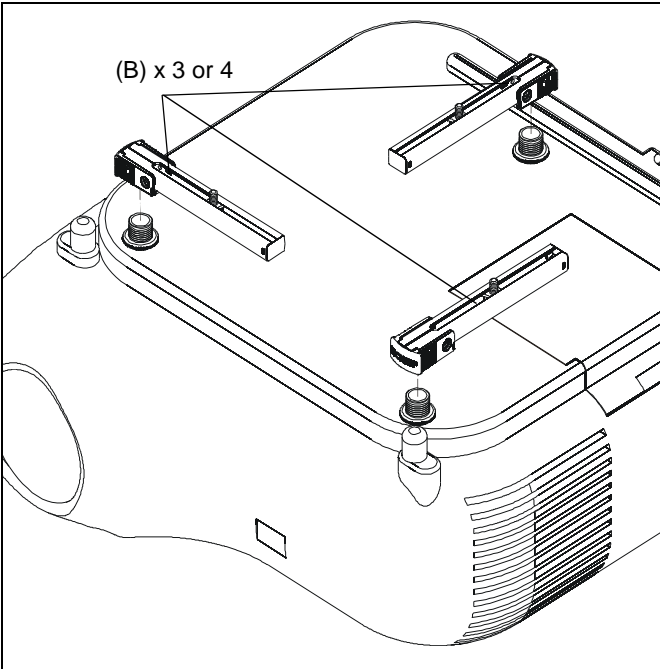


Figure 4

5. Press locking buttons on SLBU/SLMU leg (C) firmly and simultaneously push clip cover away from enclosed sliding stud mount bracket until clip cover is in the locked position. (See Figure 5)
6. Repeat Step 5 for remaining legs.



**WARNING:** Make sure legs have securely locked onto height-adjustable nuts with the latch clips. If the legs are not properly locked onto the adapters, the projector could fall from the SLBU/SLMU mount causing **SERIOUS INJURY** or **DEATH!**

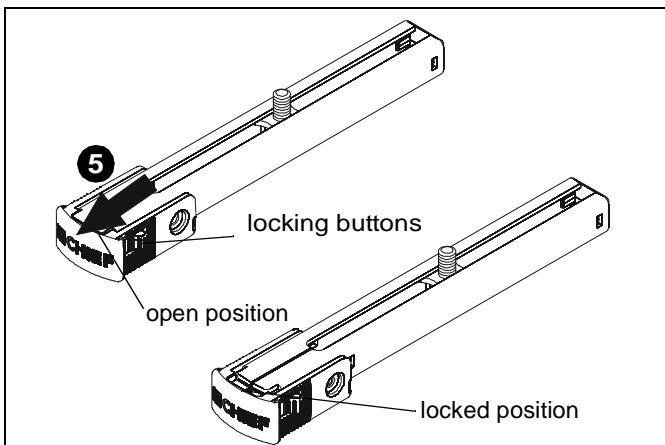


Figure 5

7. Maneuver legs so that sliding stud mount brackets and screws are towards the middle of the projector. (See Figures 6 and 7)
8. Position sliding stud mount brackets and screws so that SLBU or SLMU main plate (A) can be evenly mounted to

legs. (See Figures 6 and 7)

9. Use 1/4" hex key (T) to secure Allen nuts (C) to screws on sliding stud mounts. (See Figures 6 and 7)

**NOTE:** The following examples are two of many possible scenarios based on typical examples of mounting hole patterns. Specific connection points will vary based on the hole pattern. Multiple scenarios may be used for each specific hole pattern as long as the weight of the projector is centered and balanced after mounting.

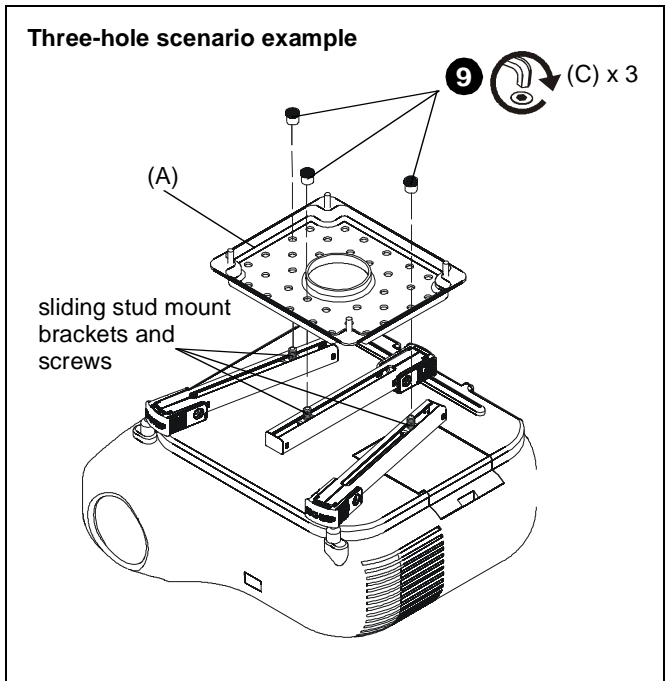


Figure 6

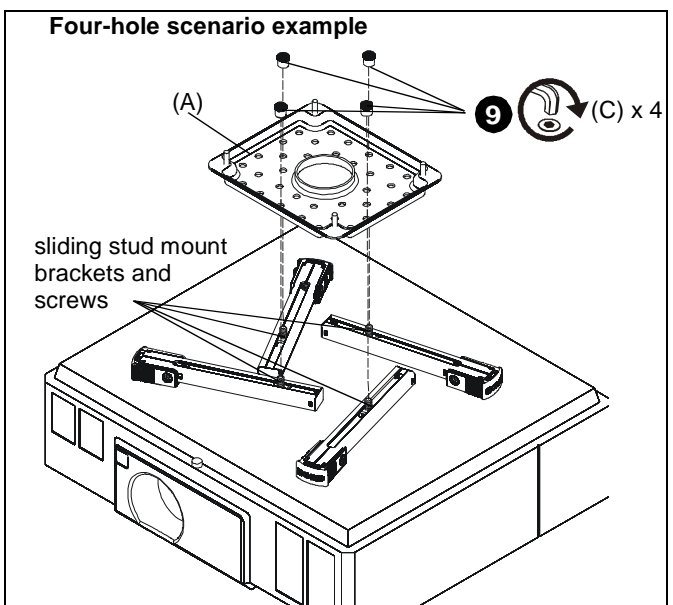
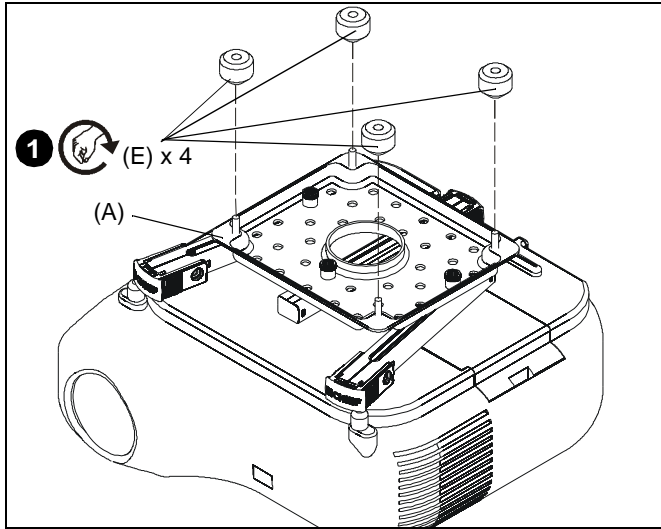


Figure 7

**Attach SLBU/SLMU to RPA or RPM**

1. On SLBU, partially install four thumb nuts (E) to SLBU main plate screws. (See Figure 8)

**NOTE:** If using optional security brackets (D) to connect SLBU bracket to RPA or non-locking RPM mount, refer to Security Bracket Installation section prior to installing thumb nuts.



**Figure 8**

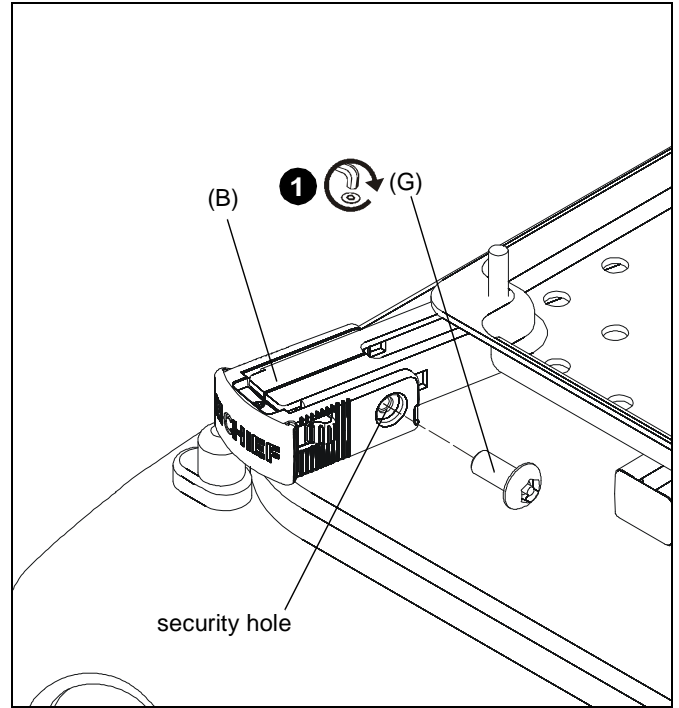
2. Attach SLBU/SLMU to RPA/RPM. Refer to RPA/RPM installation manual for details.

**Security Screw Installation (Optional)**

1. Install #8-32 x 3/8" button head security screws into security holes on SLBU/SLMU legs. (See Figure 9)

**NOTE:** Up to two security screws can be installed on each leg. It is recommended that screws be installed in holes that are difficult to access to achieve maximum security.

**NOTE:** Cable ties (not included) may be used instead of the security screws. Thread cable tie through both holes on leg and secure cable tie.

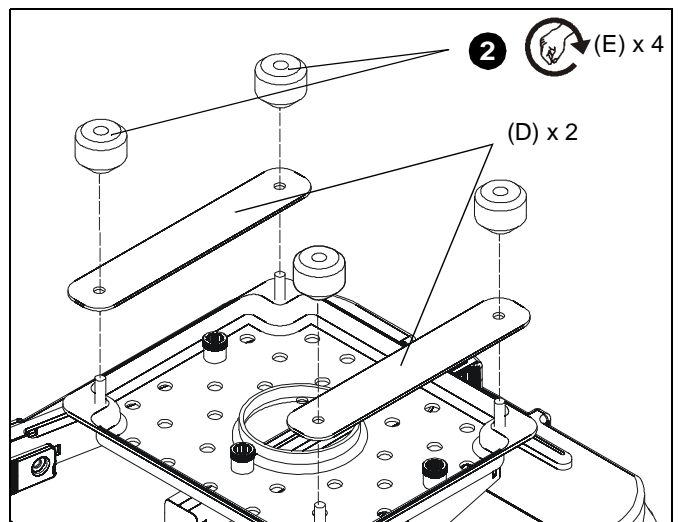


**Figure 9**

**Security Bracket Installation (Optional)**

**NOTE:** Security brackets (D) can only be used when connecting SLBU bracket to RPA or non-locking RPM mounts.

1. Install security brackets (D) over screws on SLBU main plate. (See Figure 10)
2. Partially install thumb nuts (E) onto SLBU main plate screws. (See Figure 10)



**Figure 10**



Our Mounts. **Your Vision.**

Chief Manufacturing, a products division  
of Milestone AV Technologies

8802-002000 Rev01  
©2009 Milestone AV Technologies, a  
Duchossois Group Company  
[www.chiefmfg.com](http://www.chiefmfg.com)  
08/09

**USA/International** A 8401 Eagle Creek Parkway, Savage, MN 55378  
P 800.582.6480 / 952.894.6280  
F 877.894.6918 / 952.894.6918

**Europe** A Fellenoord 130 5611 ZB EINDHOVEN, The Netherlands  
P +31 (0)40 2668620  
F +31 (0)40 2668615

**Asia Pacific** A Room 24F, Block D, Lily YinDu International Building  
LuoGang, BuJi Town, Shenzhen, CHINA.  
深圳市布吉罗岗村百合银都国际大厦D栋24F  
P +86-755-8996 9226  
F +86-755-8996 9217

