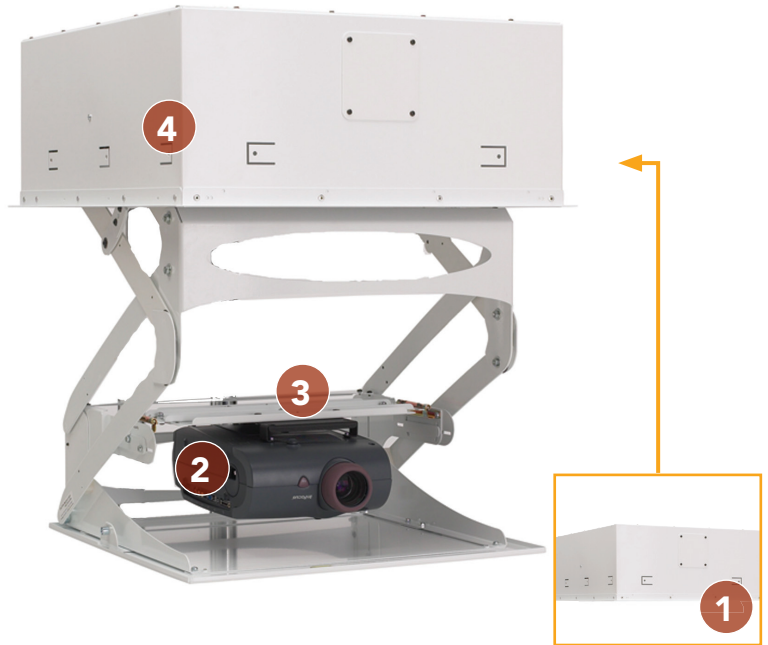




FEATURES

- 1 EXTENDED TRAVEL**
Requires only 11" (279 mm) of clearance above ceiling for 36" (91.4 mm) of downward travel with three stopping positions.
- 2 PRECISE POSITIONING**
Vertical projector cradle adjustment and fore/aft, left/right projector positioning.
- 3 QUICK CONNECT/DISCONNECT**
Convenient lamp and filter access on most projectors. Maintains registration even when disconnected.
- 4 MULTIPLE INSTALLATION OPTIONS**
Mounting options include: Three 0.38" (10 mm) threaded rods with SMA651 accessory, 1-1/2" NPT threaded extension column with SMA601 accessory, side mounting with built-in joist tabs, and by suspending with cables using the SMA651 accessory.



SPECIFICATIONS

Extension	36" (914 mm)
Max Projector Size (HxWxD)	9.25 x 20.5 x 22.75" (279 x 635 x 698 mm)
Ceiling Opening	25.5 x 28" (641 x 710 mm)
Ceiling Closure	24 x 24" (610 x 610 mm)
Roll/Pitch/Yaw	±2°, ±15°, ±10°
Weight Capacity	35 lbs (15.9 kg)
Color	White

WHAT YOU NEED TO KNOW

MULTIPLE CONTROL OPTIONS

Choose from single momentary push button, low voltage controller, and internal and external wiring options. Also accepts 5–30V AC/DC for triggering commands. AMX/Crestron control compatibility.

VOLTAGE OPTIONS

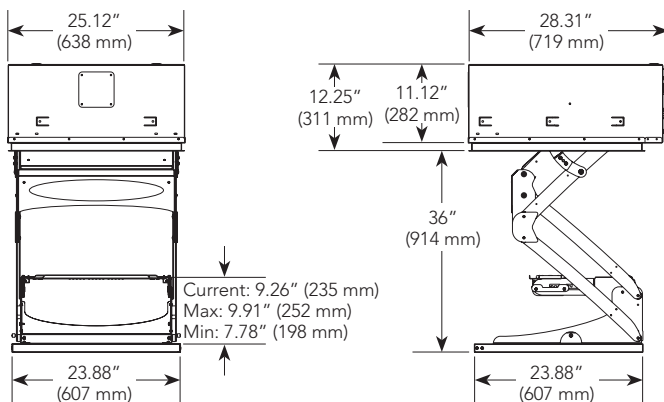
120V or 230V (for 230V order the SL236I), current draw of .75 amps

FLEXIBLE INSTALLATION

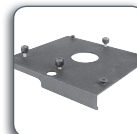
Independent roll, pitch and yaw

SHIPS FULLY ASSEMBLED

TECHNICAL DRAWINGS



RECOMMENDED ACCESSORIES



SLB ■ Projector Interface Bracket (required)



IR10 ■ Infrared Remote Control

For a complete list of automated projector mount accessories see page 27.