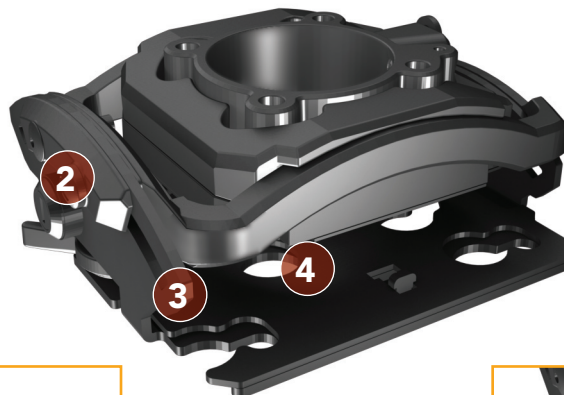




FEATURES

- 1 SMALLER FORM FACTOR**
Compact design is smaller than the RPA Elite by 1/3, and includes all the same features.
- 2 MICROZONE™ ADJUSTMENTS**
PATENT-PENDING
This feature makes projector registration fast and precise (including flush-mount installations).
- 3 CENTRIS® TECHNOLOGY**
PATENT-PENDING
Enables effortless fingertip positioning. Self-adjusts to support different projector weights.
- 4 CABLE MANAGEMENT**
Route cables through top of mount without additional accessories.
- 5 Q-LOCK™ QUICK RELEASE LEVER**
Provides quick connect/disconnect of the projector for service and enhanced security with an integrated key and lock system.



SPECIFICATIONS

Roll	±3°
Pitch	±15°
Yaw	360°
Dimensions* (HxWxD)	1.83" x 4.37" x 5.07" (46 x 111 x 129 mm)
Color, Custom	Black
Color, Universal	Black, Silver, White
Weight Capacity	25 lbs (11.3 kg)

* Dimensions don't include interface bracket

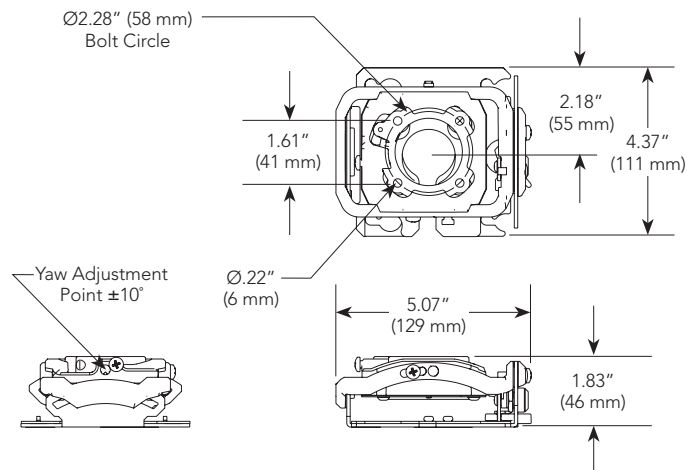
WHAT YOU NEED TO KNOW

ABOUT RSMA MINI

- Next-gen microadjustable mount for smaller form factor projectors
- New universal interface with faster installation and lamp and filter access
- Keyed locking options (A/B/C/D)
- Compatible with a wide array of accessories
- Available in custom (black) or universal (black, silver, white)



TECHNICAL DRAWINGS



RECOMMENDED ACCESSORIES



CMS SUSPENDED CEILING KITS



CMS EXTENSION COLUMNS



SEC2 ■ Security Cable

For a complete list of projector mount accessories see page 18.