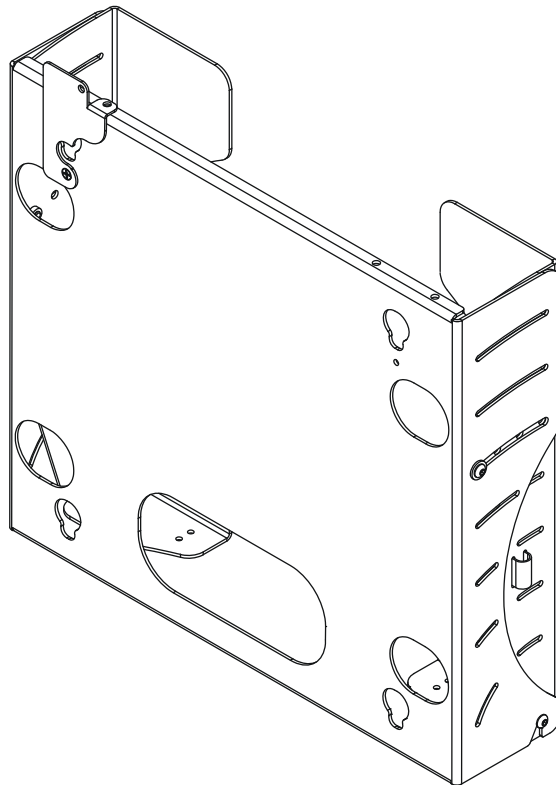

INSTALLATION INSTRUCTIONS

Instrucciones de instalación
Installationsanleitung
Instruções de Instalação

Istruzioni di installazione
Installatie-instructies
Instructions d'installation





Large Flat Panel Tilt Wall Mount with Integrated CPU Enclosure


DISCLAIMER


CSAV, Inc., and its affiliated corporations and subsidiaries (collectively, "CSAV"), intend to make this manual accurate and complete. However, CSAV makes no claim that the information contained herein covers all details, conditions or variations, nor does it provide for every possible contingency in connection with the installation or use of this product. The information contained in this document is subject to change without notice or obligation of any kind. CSAV makes no representation of warranty, expressed or implied, regarding the information contained herein. CSAV assumes no responsibility for accuracy, completeness or sufficiency of the information contained in this document.


IMPORTANT WARNINGS AND CAUTIONS!

 **WARNING:** A WARNING alerts you to the possibility of serious injury or death if you do not follow the instructions.


 **CAUTION:** A CAUTION alerts you to the possibility of damage or destruction of equipment if you do not follow the corresponding instructions.


 **WARNING:** Failure to read, thoroughly understand, and follow all instructions can result in serious personal injury, damage to equipment, or voiding of factory warranty! It is the installer's responsibility to make sure all components are properly assembled and installed using the instructions provided.


 **WARNING:** Failure to provide adequate structural strength for this component can result in serious personal injury or damage to equipment! It is the installer's responsibility to make sure the structure to which this component is attached can support five times the combined weight of all equipment. Reinforce the structure as required before installing the component.


 **WARNING:** Exceeding the weight capacity can result in serious personal injury or damage to equipment! It is the installer's responsibility to make sure the combined weight of all components attached to the PWC-2000 does not exceed 200 lbs (90 kg).


¡AVISOS y PRECAUCIONES IMPORTANTES!

 **AVISO:** Un AVISO llama su atención sobre la posibilidad de sufrir lesiones de gravedad o incluso mortales si no sigue las instrucciones.


 **PRECAUCIÓN:** Una nota de PRECAUCIÓN llama su atención sobre la posibilidad de dañar o destruir el equipo si no sigue las instrucciones.


 **AVISO:** Si no lee, comprende perfectamente y sigue todas las instrucciones, podría causar graves daños personales y materiales o anular la garantía de fábrica. El instalador es el responsable de asegurarse de que todos los componentes están correctamente montados e instalados siguiendo las instrucciones indicadas.


 **AVISO:** Si no se proporciona la resistencia estructural adecuada para este componente, podrían provocarse graves daños personales o materiales. El instalador es el responsable de asegurarse de que la estructura a la que este componente está sujeta puede soportar cinco veces el peso combinado de todo el equipo. Refuerce la estructura según sea necesario antes de instalar el componente.


 **AVISO:** Si se excede el peso máximo, podrían causarse graves daños personales o materiales. El instalador es responsable de asegurarse de que el peso combinado de todos los componentes montados en el PWC-2000 no excede 90 kg (200 libras).

WICHTIGE WARN- und VORSICHTSHINWEISE!

 **WARNUNG:** Ein WARNHINWEIS macht auf mögliche schwere oder tödliche Verletzungen aufmerksam, die bei Nichtbefolgung der Anweisungen eintreten können.

 **VORSICHT:** Ein VORSICHTSHINWEIS macht auf Schäden oder mögliche Zerstörung des Geräts aufmerksam, die bei Nichtbefolgung der Anweisungen eintreten können.

 **WARNUNG:** Falls nicht alle Anweisungen gelesen und gut verstanden werden, kann dies zu schweren Körperverletzungen, Schaden an den Geräten führen und die Werksgarantie nichtig machen! Der Monteur ist dafür verantwortlich, dass alle Komponenten unter Einhaltung der mitgelieferten Anweisungen korrekt zusammengesetzt und eingebaut werden.

 **WARNUNG:** Wenn für diese Komponente keine ausreichende bauliche Tragkraft vorhanden ist, kann dies zu schweren Körperverletzungen oder Schäden an den Geräten führen! Der Installateur ist dafür verantwortlich zu überprüfen, ob die Wand, an der diese Komponente verankert wird, das Fünffache der Gesamtlast aller befestigten Geräte sicher

tragen kann. Andernfalls muss die Wand verstärkt werden, bevor die Komponente angebracht wird.



WARNUNG: Wenn das zulässige Gewicht überschritten wird, kann dies zu schweren Körperverletzungen oder Schäden an den Geräten führen! Der Monteur ist dafür verantwortlich, dass das kombinierte Gewicht aller Komponenten, die am Modell PWC-2000 befestigt sind, nicht mehr als 90 kg beträgt.



ADVERTÊNCIAS e AVISOS IMPORTANTES!



ADVERTÊNCIA: Os alertas de ADVERTÊNCIA avisam-no para a possibilidade de ocorrência de graves lesões ou morte no caso de incumprimento das instruções.



AVISO: Os alertas de AVISO avisam-no para a possibilidade de danos ou destruição do equipamento no caso de incumprimento das instruções.



ADVERTÊNCIA: Se não ler, compreender completamente e seguir todas as instruções podem ocorrer graves lesões pessoais, danos no equipamento e a garantia de fábrica pode ser anulada! É da responsabilidade do instalador certificar-se de que todos os componentes são correctamente montados e instalados de acordo com as instruções fornecidas.



ADVERTÊNCIA: Se não for proporcionado apoio estrutural adequado a este componente podem ocorrer graves lesões pessoais ou danos no equipamento! É da responsabilidade do instalador certificar-se de que a estrutura à qual este componente é ligado pode suportar cinco vezes o peso combinado de todo o equipamento. Reforce a estrutura conforme necessário antes de instalar o componente.



ADVERTÊNCIA: Exceder a capacidade de peso pode resultar em graves lesões pessoais ou danos no equipamento! É da responsabilidade do instalador certificar-se de que o peso combinado de todos os componentes ligados ao PWC-2000 não excede 90 kg.



AVVERTENZE e PRECAUZIONI IMPORTANTI!



AVVERTENZA: Un'AVVERTENZA mette in guardia in merito alla possibilità di gravi infortuni, anche letali, qualora non si osservino le istruzioni.



ATTENZIONE: Un'ATTENZIONE indica la possibilità di gravi danni all'attrezzatura qualora non ci si attiene alle istruzioni al riguardo.



AVVERTENZA: La mancata comprensione e ottemperanza alle istruzioni fornite può provocare gravi lesioni personali, danni all'apparecchiatura o annullare la garanzia fornita dal produttore. Spetta all'installatore verificare che tutti i componenti siano assemblati correttamente e installati secondo le istruzioni fornite.



AVVERTENZA: Una resistenza strutturale inadeguata per questo componente può arrecare gravi infortuni o danneggiare l'apparecchiatura. È responsabilità dell'installatore verificare che la struttura alla quale è fissato il componente sostenga con sicurezza cinque volte il carico combinato di tutta l'apparecchiatura. Rinforzare la struttura secondo necessità prima di installare i componenti.



AVVERTENZA: Un peso superiore alla capacità nominale può arrecare gravi infortuni o danneggiare l'apparecchiatura. È responsabilità dell'installatore verificare che il peso totale di tutti i componenti montati sul PWC-2000 non superi 90 kg (200 lb).



BELANGRIJKE AANWIJZINGEN en WAARSCHUWINGEN!



WAARSCHUWING: Een WAARSCHUWING vestigt uw aandacht op de mogelijkheid van ernstig of dodelijk letsel als u de instructies niet opvolgt.



VOORZICHTIG: De aanwijzing VOORZICHTIG vestigt uw aandacht op de mogelijkheid van beschadiging of onherstelbare beschadiging van de apparatuur als u de betreffende instructies niet opvolgt.



WAARSCHUWING: Door niet alle instructies te lezen, volledig te begrijpen en op te volgen, riskeert u ernstig persoonlijk letsel, beschadiging van de apparatuur en het vervallen van de fabrieksgarantie. Degene die het product installeert is ervoor verantwoordelijk dat alle onderdelen aan de hand van de meegeleverde handleiding op de juiste wijze worden samengebouwd en gemonteerd.



WAARSCHUWING: Als u voor deze component onvoldoende constructiesterke beschikbaar stelt, riskeert u ernstig persoonlijk letsel of beschadiging van de apparatuur! Degene die de structuur monteert waaraan deze component is bevestigd, is ervoor verantwoordelijk dat deze minimaal vijf

maal het gezamenlijke gewicht van alle apparatuur kan dragen. Zonodig dient u de structuur vóór de montage van de component te versterken.



WAARSCHUWING: Overschrijding van het draagvermogen kan de oorzaak zijn van ernstig persoonlijk letsel en beschadiging van de apparatuur! Degene die het product installeert is ervoor verantwoordelijk dat het totale gewicht van alle componenten die aan de PWC-2000 worden bevestigd een gewicht van 90 kg niet overschrijdt.



AVERTISSEMENT: Le manque de la lecture, de la compréhension et du respect total de toutes les instructions, peut entraîner des blessures corporelles graves, endommager l'équipement ou annuler la garantie d'usine. Il incombe à l'installateur de s'assurer que tous les composants sont correctement assemblés et installés à l'aide des instructions fournies.



AVERTISSEMENT: L'absence de l'apport d'une résistance structurelle appropriée pour ce composant peut entraîner des blessures corporelles graves ou endommager l'équipement. Il incombe à l'installateur de s'assurer que la structure à laquelle le composant est attaché peut soutenir cinq fois le poids combiné de tout l'équipement. Renforcer la structure selon les besoins avant l'installation du composant.



AVERTISSEMENT: Dépassez la capacité pondérale peut entraîner des blessures corporelles graves ou endommager l'équipement. Il incombe à l'installateur de s'assurer que le poids combiné de tous les composants attachés à PWC-2000 n'est pas supérieur à 90 kg (200 lb).

IMPORTANT AVERTISSEMENTS et PRÉCAUTIONS!

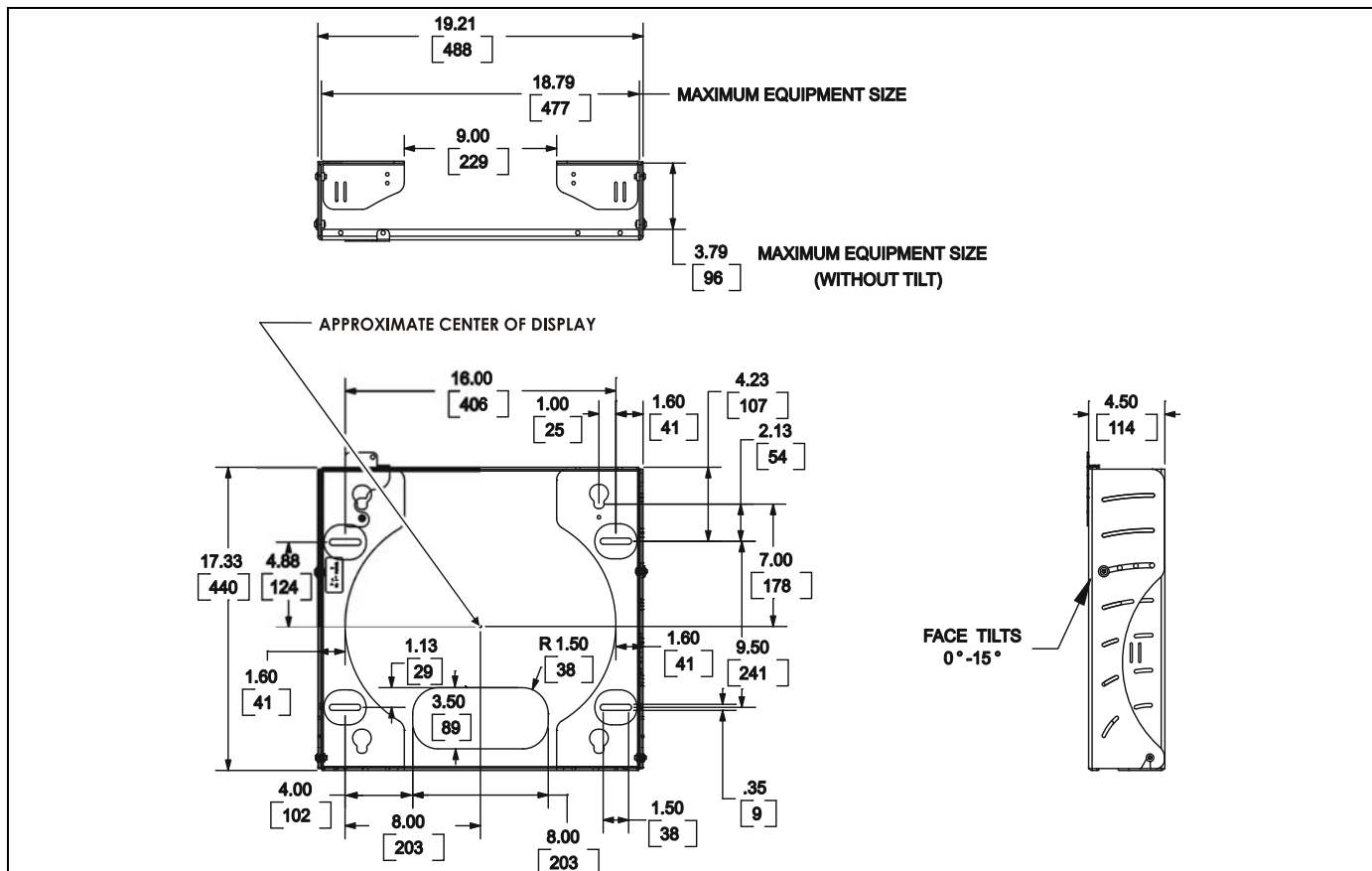


AVERTISSEMENT: Un AVERTISSEMENT vous met en garde contre les possibilités de blessures graves ou de danger de mort si vous ne suivez pas les instructions.



PRÉCAUTION: Une PRÉCAUTION vous met en garde contre les possibilités d'endommagements et de destruction de l'équipement si vous ne suivez pas les instructions correspondantes.

DIMENSIONS



LEGEND

	Tighten Fastener
	Apretar elemento de fijación
	Befestigungsteil festziehen
	Apertar fixador
	Serrare il fissaggio
	Bevestiging vastdraaien
Serrez les fixations	

	Pencil Mark
	Marcar con lápiz
	Stiftmarkierung
	Marcar com lápis
	Segno a matita
	Potloodmerkten
Marquage au crayon	

	Loosen Fastener
	Aflojar elemento de fijación
	Befestigungsteil lösen
	Desapertar fixador
	Allentare il fissaggio
	Bevestiging losdraaien
Desserrez les fixations	

	Drill Hole
	Perforar
	Bohrloch
	Fazer furo
	Praticare un foro
	Gat boren
Percez un trou	

	By Hand
	A mano
	Von Hand
	Com a mão
	A mano
	Met de hand
À la main	

	Adjust
	Ajustar
	Einstellen
	Ajustar
	Regolare
	Afstellen
Ajuster	

	Socket Wrench
	Llave de cubo
	Steckschlüssel
	Chave de caixa
	Chiave a brugola
	Dopsleutel
Clé à douilles	

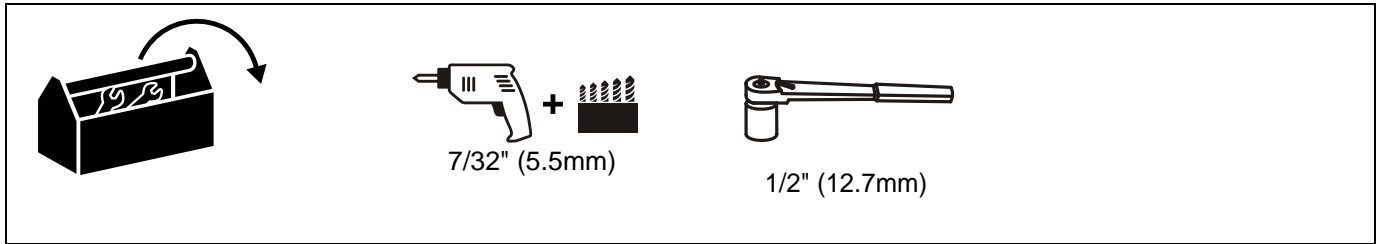
	Remove
	Quitar
	Entfernen
	Remover
	Rimuovere
	Verwijderen
Retirez	

	Hex-Head Wrench
	Llave de cabeza hexagonal
	Sechskantschlüssel
	Chave de cabeça sextavada
	Chiave esagonale
	Zeskantsleutel
Clé à tête hexagonale	

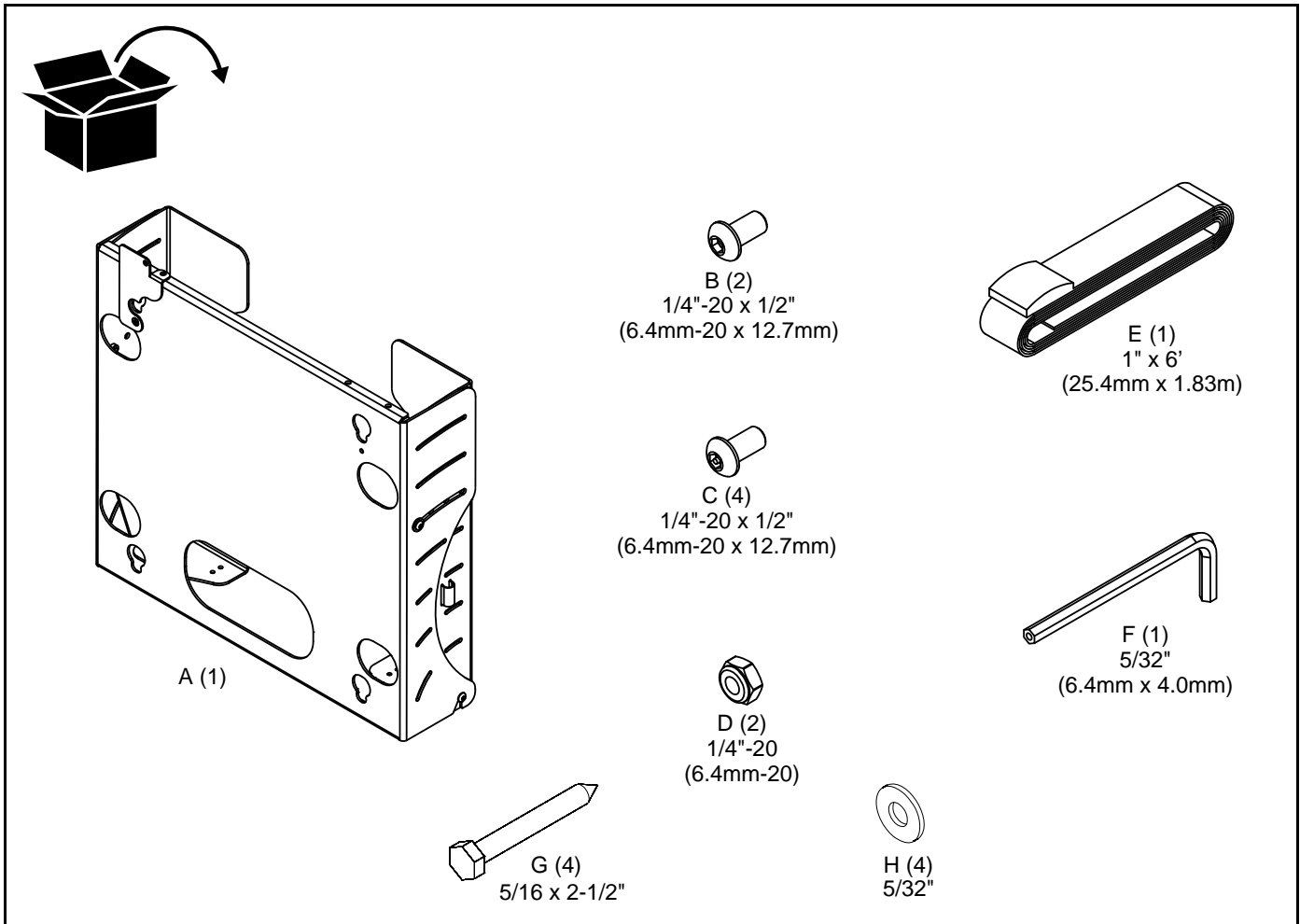
	Optional
	Opcional
	Optional
	Opcional
	Opzionale
	Optie
En option	

	Security Wrench
	Llave de seguridad
	Sicherheitsschlüssel
	Chave de segurança
	Chiave di sicurezza
	Veiligheidssleutel
Clé de sécurité	

TOOLS REQUIRED FOR INSTALLATION



PARTS



INSTALLATION

MOUNT INSTALLATION



WARNING: Failure to provide adequate structural strength for this component can result in serious personal injury or damage to equipment! It is the installer's responsibility to make sure the structure to which this component is attached can support five times the combined weight of all equipment. Reinforce the structure as required before installing the component.

1. Level mount (A) at desired height. Using mount (A) as a template, mark locations of four pilot holes (See Figure 1). Ensure marks are in the center of wood studs.

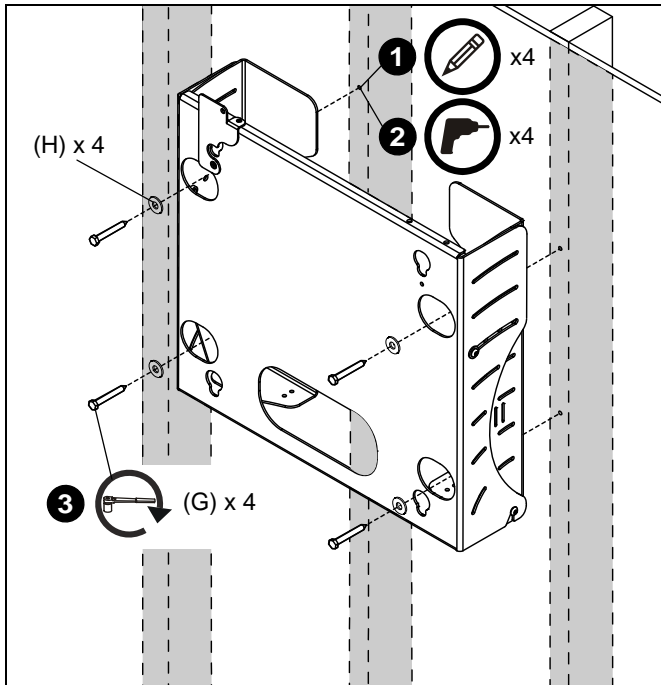


Figure 1

2. Drill 7/32" (5.5mm) diameter pilot holes into wood studs (See Figure 1). Ensure pilot holes are straight.
3. Using 1/2" (12.7mm) socket wrench, install four 5/16" x 2-1/2" (7.9mm x 63.5mm) hex head lag screws (G) and four 5/16" flat washers (H) through front plate access holes and rear mounting slots, into pilot holes (See Figure 1). Securely tighten lag screws.

CENTRAL PROCESSING UNIT (CPU) INSTALLATION



WARNING: Exceeding the weight capacity can result in serious personal injury or damage to equipment! It is the installer's responsibility to make sure the combined weight of all components attached to the PWC-2000 does not exceed 200 lbs (90 kg).

1. Using key (F), remove and retain *upper* front plate attach screws and washers (See Figure 2).

NOTE: Lower front plate attach screws may remain installed.

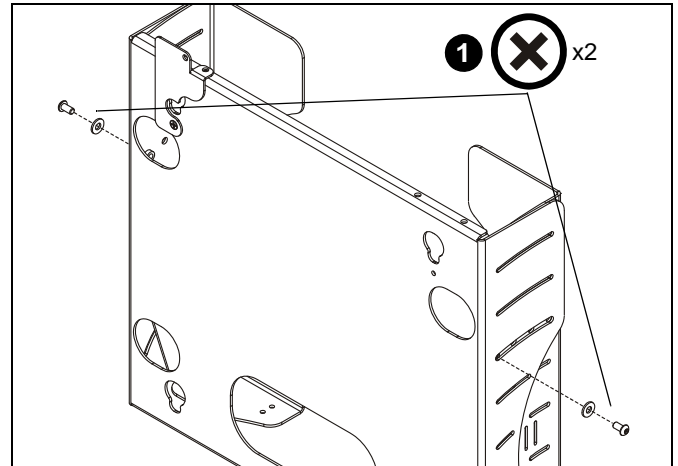


Figure 2

2. Tilt front plate away from wall and then lift out of lower front plate attach screws (See Figure 3). Place front plate on protective surface.

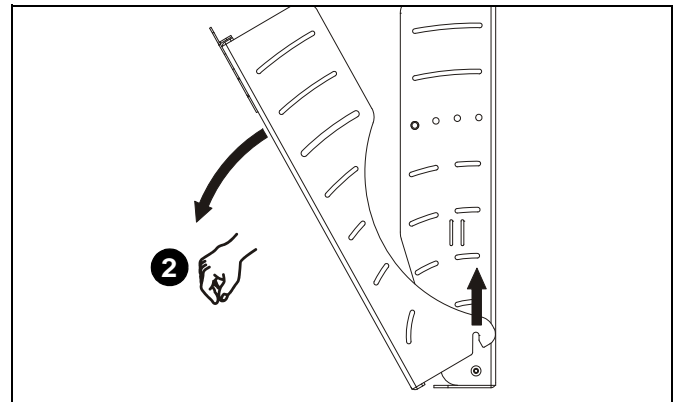


Figure 3

3. Loosely thread strap (E) through side plates so that buckle is in front (See Figure 4).

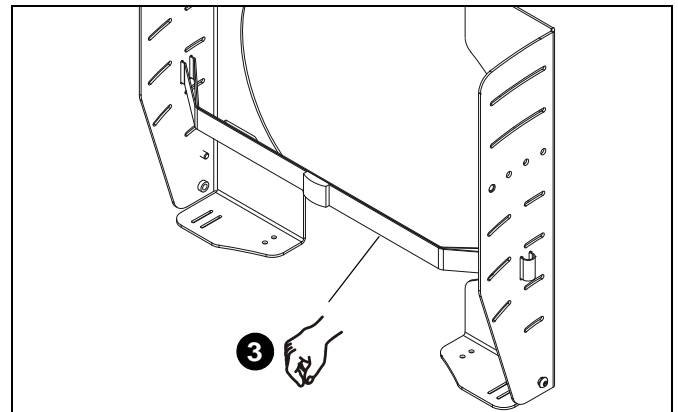


Figure 4

4. Carefully slide CPU between strap (E) and rear surface of side plates (See Figure 5). Ensure the following:
 - Both loops of strap (E) are in front of the CPU; do not wrap strap (E) around back of CPU.
 - CPU is positioned so that cooling vents are not obstructed.

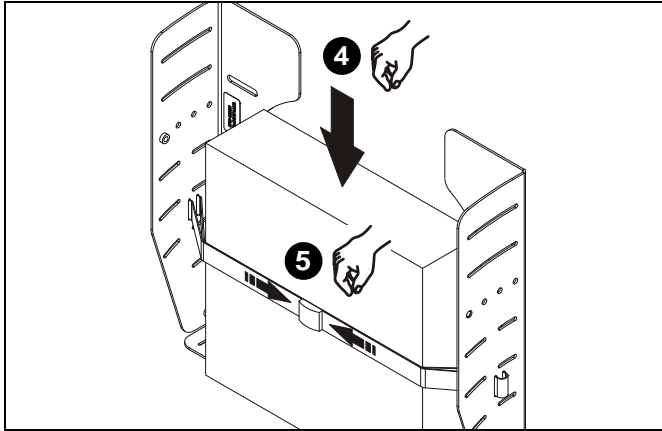


Figure 5

5. Tighten strap (E) securely.
6. Re-install front plate by reversing the procedure in Step 2:
 - A. Tilt the top of the front plate towards you.
 - B. Lower the front plate onto the lower attach screws.
 - C. Tilt the top of the front plate away from you (towards the wall).
7. Using key (F), re-install the retained upper front plate attach screws and washers (See Figure 6).

NOTE: If desired, security screws (C) may be substituted for non-security screws at both upper and lower attach points.

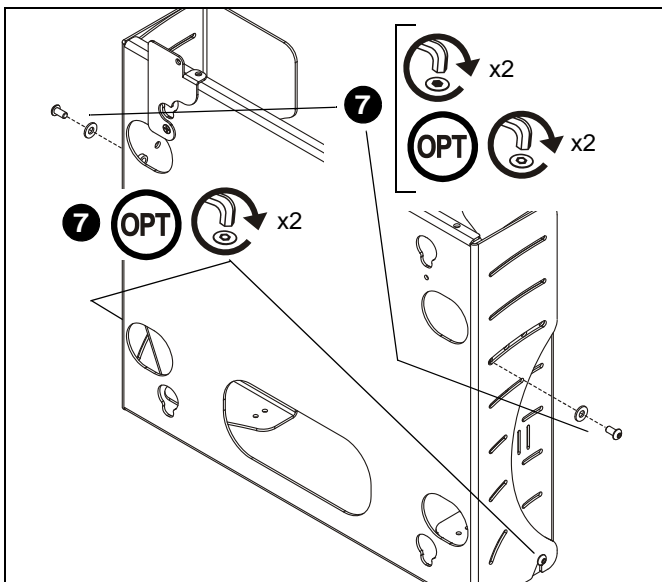


Figure 6

DISPLAY INSTALLATION



WARNING: Exceeding the weight capacity can result in serious personal injury or damage to equipment! It is the installer's responsibility to make sure the combined weight of all components attached to the PWC-2000 does not exceed 200 lbs (90 kg).

1. Install interface providing 14" X 14" (356mm x 356mm) mounting button pattern to display. See instructions supplied with interface.
2. Rotate Q-Latch to the OPEN position (See Figure 7).

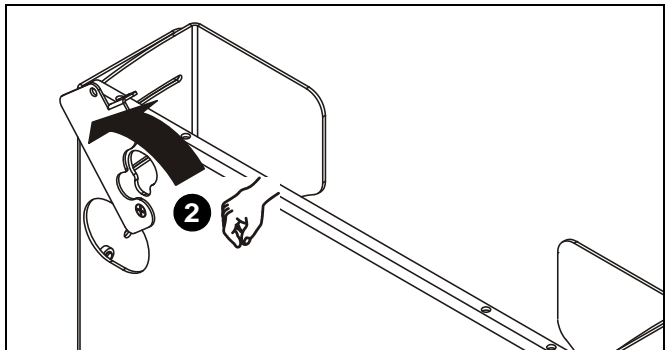


Figure 7



WARNING: Display is very heavy! Ensure display can be safely lifted and maneuvered as required to install to mount. Failure to take adequate precautions can result in serious personal injury or damage to equipment!

3. Lift and maneuver display so that all four mounting buttons on interface fit into button openings on front plate. Lower display firmly into place. Ensure each button has fully seated in its button opening (See Figure 8).

NOTE: Display not shown for clarity.

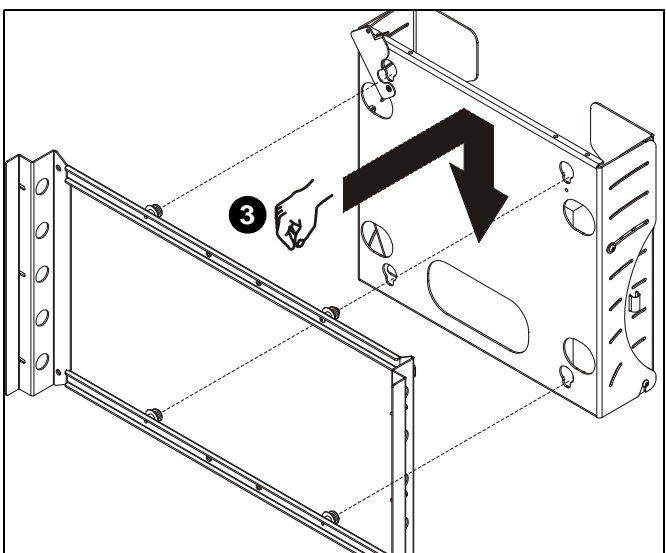


Figure 8

- Rotate Q-Latch to the CLOSED position (See Figure 9).

NOTE: If Q-Latch does not fully close, ensure mounting buttons are fully seated in the button openings.

NOTE: OPTIONAL: A hole is provided in both the Q-Latch and the front plate to accommodate the insertion of a padlock or similar locking device.

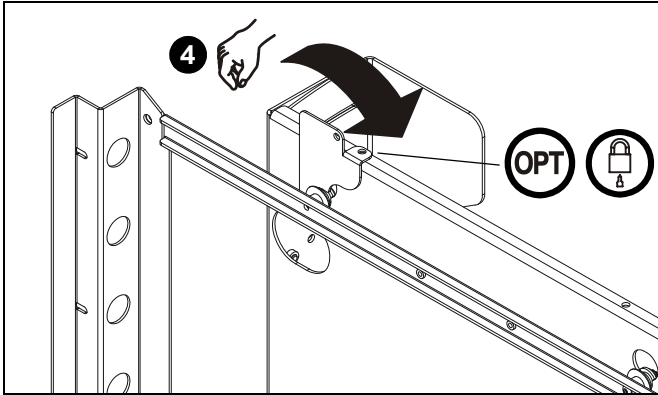


Figure 9



WARNING: Make sure the latch securing the display is fully closed at all times except when removing or installing the display. The latch must be fully closed when installing or removing cables from the display.

- Attach all cables to display and CPU.

TILT ADJUSTMENT

If desired, the display may be tilted to any position between 0° and 15°.

- Using key (F), *slightly* loosen upper front plate attach screws (See Figure 10). Do NOT remove screws!
- Tilt display to desired angle.
- Tighten upper attach screws.

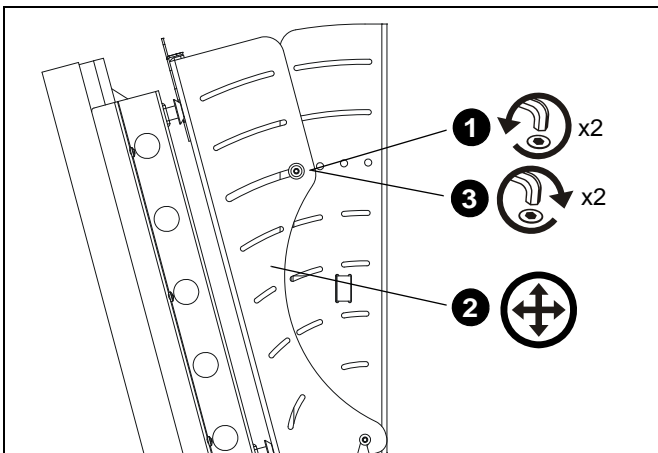


Figure 10

TILT LOCK

If desired, the display may be locked at 0°, 5°, or 10°.

NOTE: A positive stop exists at 15° without the use of tilt lock screws.

- Using key (F), *slightly* loosen the upper front plate attach screws (See Figure 10). Do NOT remove screws.
- Using key (F), loosely install screw (B) through slot in front plate and applicable open tilt lock hole in side plate, into nut (D) (See Figure 11)(See Figure 12). Repeat for opposite side.
- Tilt display until lock is reached.
- Tighten all four screws: upper front plate attach, and (B).

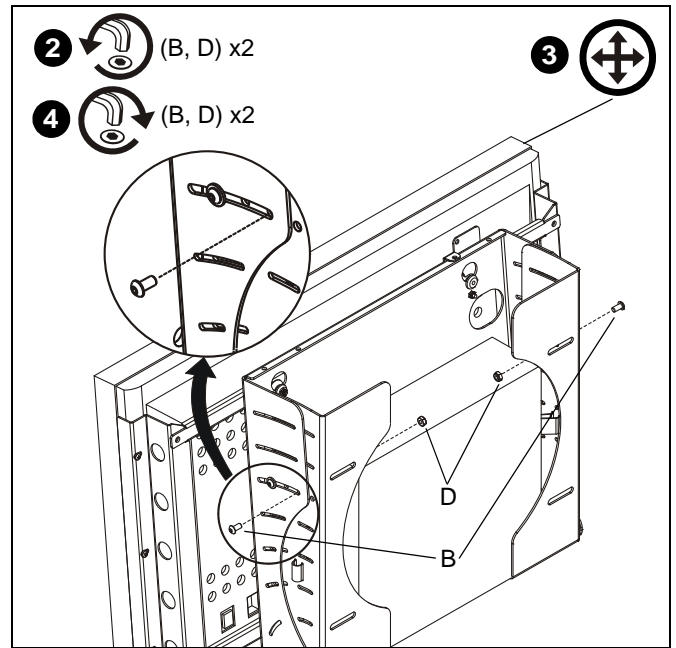


Figure 11

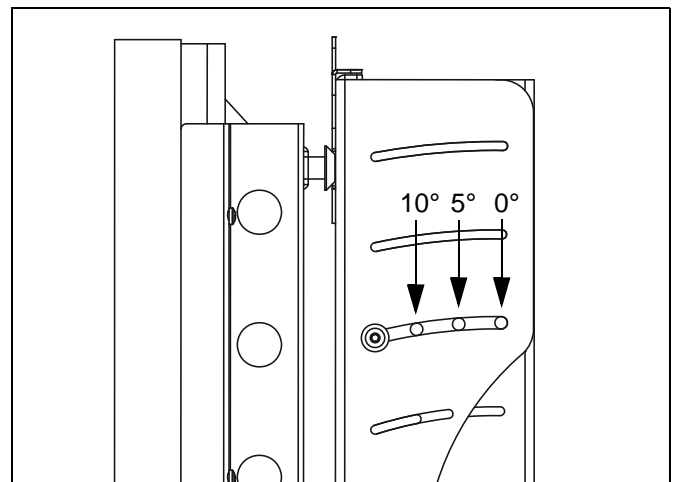


Figure 12



8804-000317 RevA
©2007 Chief Manufacturing
www.chiefmfg.com
10/07

USA/International	A 8401 Eagle Creek Parkway, Savage, MN 55378 P 800.582.6480 / 952.894.6280 F 877.894.6918 / 952.894.6918
Europe	A Fellenoord 130 5611 ZB EINDHOVEN, The Netherlands P 31 (0)20 5708923 F 31 (0)20 5708989
Asia Pacific	A Room 30I, Block D, Lily YinDu International Building LuoGang, BuJi Town, Shenzhen, CHINA. Post Code: 518112 深圳市布吉罗岗百合银都国际大厦D栋30I P +86-755-8996 9226 ; 8996 9236 ; 8996 9220 F +86-755-8996 9217

