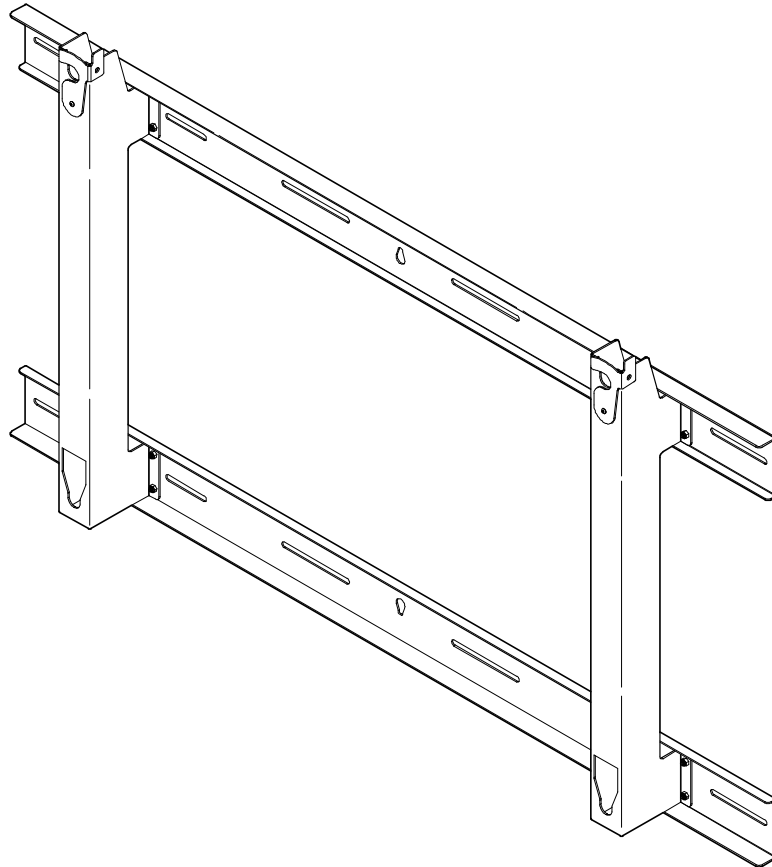

INSTALLATION INSTRUCTIONS



Large Flat Panel Static Wall Mount

DISCLAIMER

Milestone AV Technologies and its affiliated corporations and subsidiaries (collectively, "Milestone"), intend to make this manual accurate and complete. However, Milestone makes no claim that the information contained herein covers all details, conditions or variations, nor does it provide for every possible contingency in connection with the installation or use of this product. The information contained in this document is subject to change without notice or obligation of any kind. Milestone makes no representation of warranty, expressed or implied, regarding the information contained herein. Milestone assumes no responsibility for accuracy, completeness or sufficiency of the information contained in this document.

®Chief is a registered trademark of Milestone AV Technologies. All rights reserved.



IMPORTANT WARNINGS AND CAUTIONS!



WARNING: A WARNING alerts you to the possibility of serious injury or death if you do not follow the instructions.



CAUTION: A CAUTION alerts you to the possibility of damage or destruction of equipment if you do not follow the corresponding instructions.



WARNING: Failure to read, thoroughly understand, and follow all instructions can result in serious personal injury, damage to equipment, or voiding of factory warranty! It is the installer's responsibility to make sure all components are properly assembled and installed using the instructions provided.

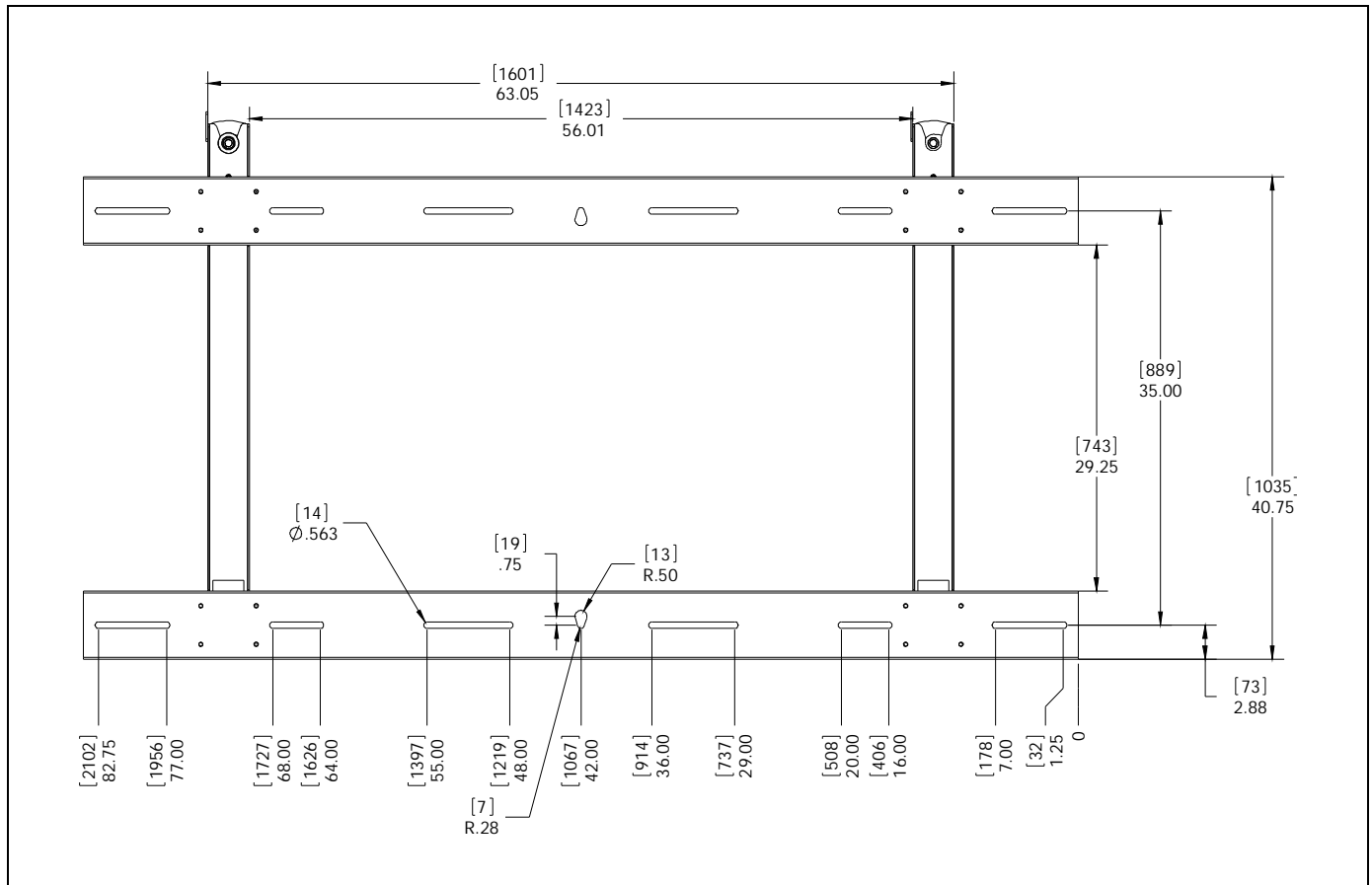
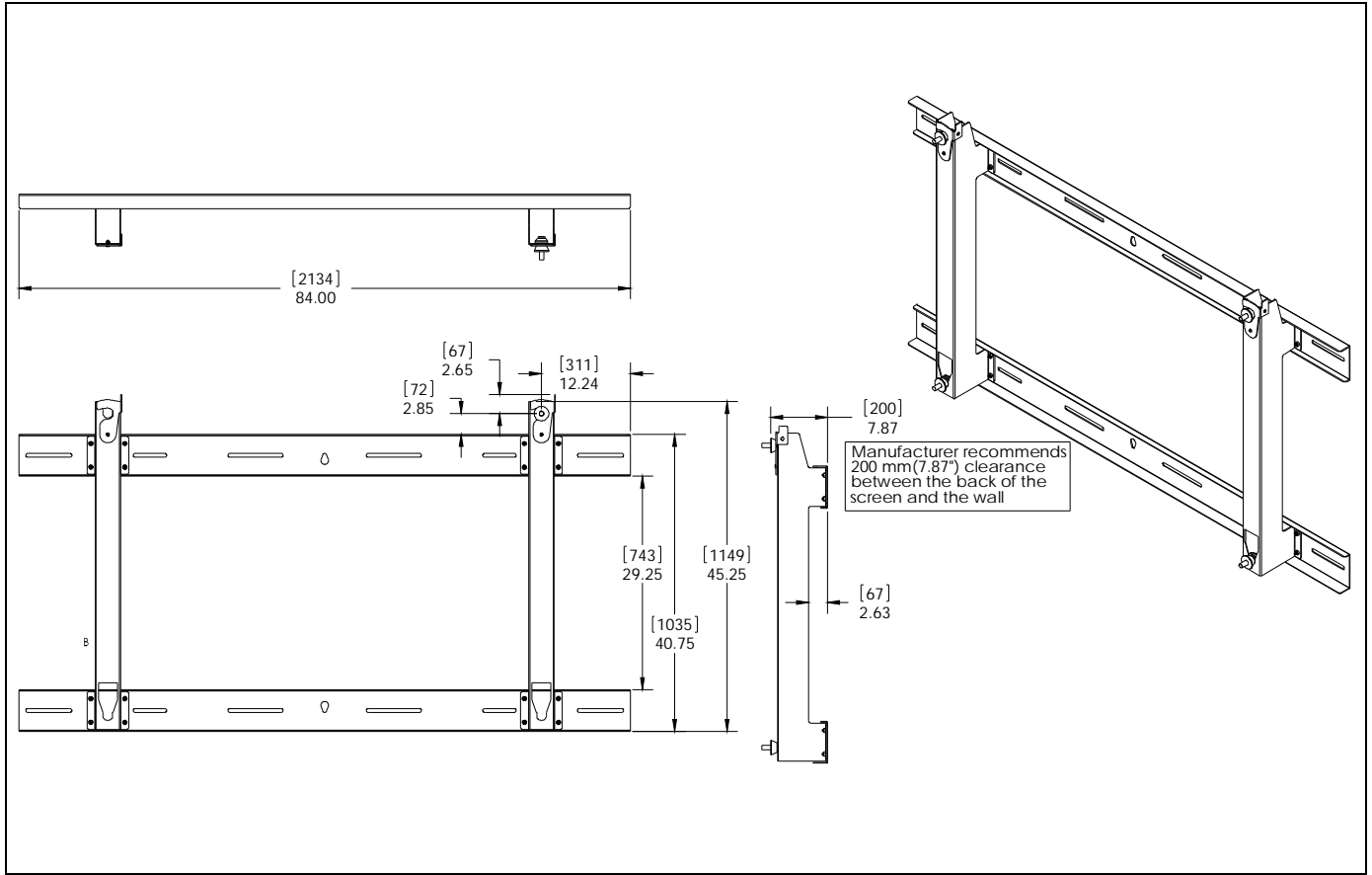


WARNING: Failure to provide adequate structural strength for this component can result in serious personal injury or damage to equipment! It is the installer's responsibility to make sure the structure to which this component is attached can support a minimum of 2,000lbs (907.185kg). Reinforce the structure as required before installing the component.



WARNING: Exceeding the weight capacity can result in serious personal injury or damage to equipment! It is the installer's responsibility to make sure the structure to which this mount is being attached can support a minimum of 2,000 lbs (907.18kg). **Reinforce the structure as required before installing this mount.** It is the installer's responsibility to make sure the combined weight of all components located on the mount does not exceed 500 lbs (226.8 kg).

DIMENSIONS



LEGEND

	Tighten Fastener
	Apretar elemento de fijación
	Befestigungsteil festziehen
	Apertar fixador
	Serrare il fissaggio
	Bevestiging vastdraaien
	Serrez les fixations

	Pencil Mark
	Marcar con lápiz
	Stiftmarkierung
	Marcar com lápis
	Segno a matita
	Potloodmerkteken
	Marquage au crayon

	Loosen Fastener
	Aflojar elemento de fijación
	Befestigungsteil lösen
	Desapertar fixador
	Allentare il fissaggio
	Bevestiging losdraaien
	Desserrez les fixations

	Drill Hole
	Perforar
	Bohrloch
	Fazer furo
	Praticare un foro
	Gat boren
	Percez un trou

	Open-Ended Wrench
	Destornillador Phillips
	Kreuzschlitzschraubendreher
	Chave de fendas Phillips
	Cacciavite a stella
	Kruiskopschroevendraaier
	Tournevis à pointe cruciforme

	Hex-Head Wrench
	Ajustar
	Einstellen
	Ajustar
	Regolare
	Afstellen
	Ajuster

TOOLS FOR INSTALLATION/PARTS

7/32" (Power Drill)

5/16" (Wrenches)

M14 (provided) (Hex-head Wrench)

A (2) (Vertical Rail)

B (2) (Horizontal Rail)

C (4) M16 x 65mm (Screws)

D (4) M16 x 70mm (Screws)

E (2) (Washers)

F (16) 5/16-18 (Nuts)

G (1) M14 (Hex-head Wrench)

H (2) (Washers)

ASSEMBLY AND INSTALLATION

Mount Assembly

1. Attach two vertical brackets (A) to two horizontal brackets (B) using sixteen 5/16-18 nylon lock nuts (F). (See Figure 1)

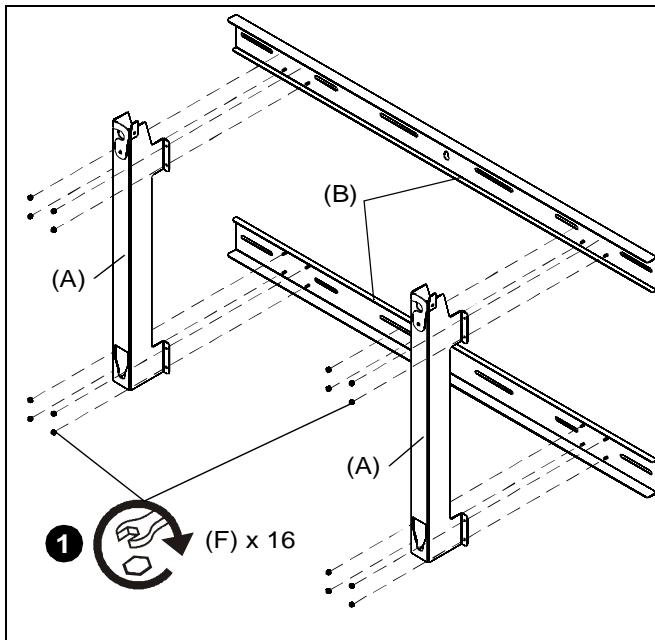


Figure 1

Mount Installation



WARNING: IMPROPER INSTALLATION CAN LEAD TO MOUNT FALLING CAUSING SERIOUS PERSONAL INJURY OR DAMAGE TO EQUIPMENT! The mount weighs in excess of 100 lbs (45.36kg). ALWAYS use appropriate lifting device and follow all safety practices when moving and installing this mount.



WARNING: IMPROPER INSTALLATION CAN LEAD TO DISPLAY FALLING CAUSING SERIOUS PERSONAL INJURY OR DAMAGE TO EQUIPMENT! It is the installer's responsibility to make sure the structure to which this mount is being attached can support a minimum of 2,000 lbs (907.18kg). Reinforce the structure as required before installing this mount.

1. Using appropriate lifting device, raise assembled mount and place mount against wall in desired installation location. (See Figure 2)
2. Level and adjust horizontal position making certain slots in upper and lower horizontal brackets on mount are properly positioned over studs.
3. Using a pencil, or similar marking tool, mark the location of mounting holes in base onto surface. (See Figure 2)
4. Drill eight or twelve 7/32" pilot holes (8 if 24" center studs and 12 if 16" center studs), at marked locations.

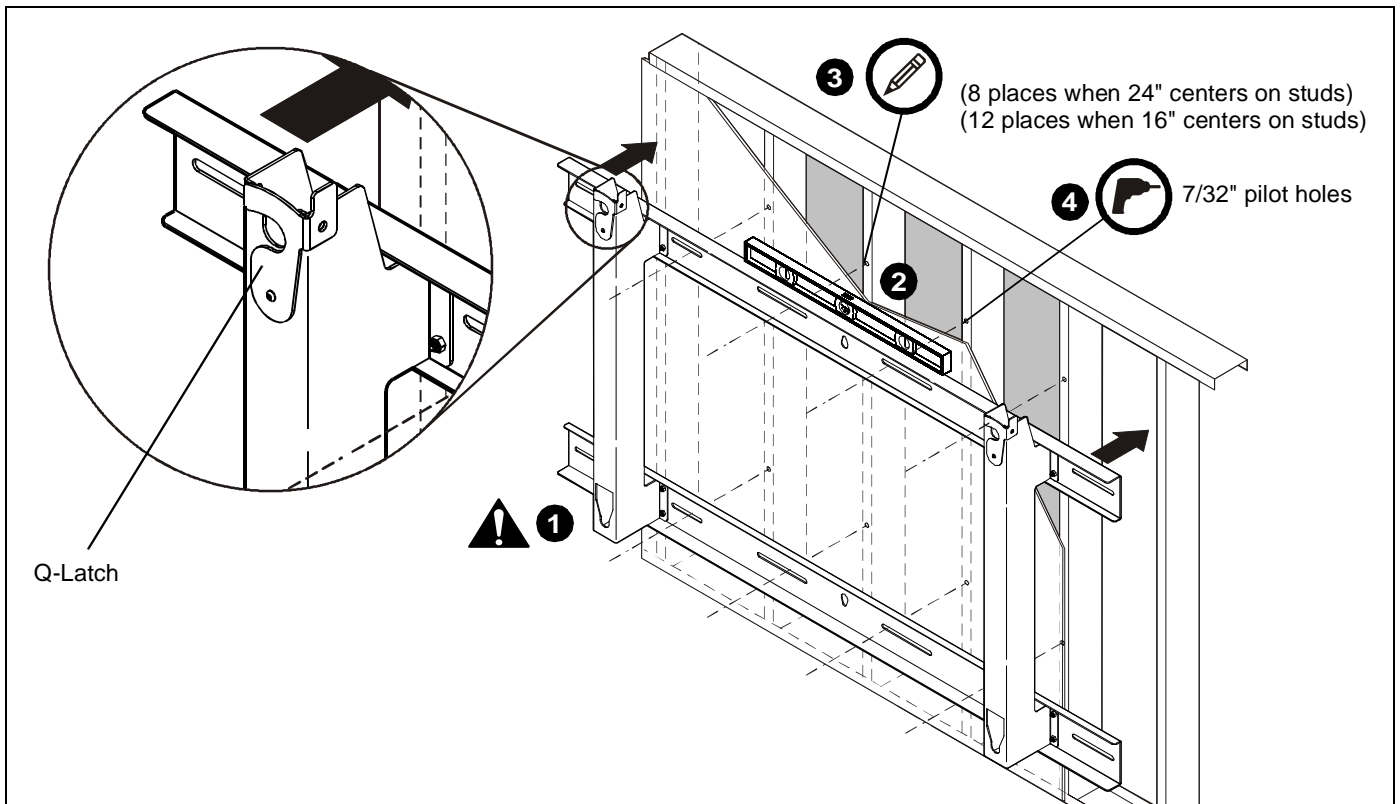


Figure 2



CAUTION: IMPROPER INSTALLATION CAN LEAD TO MOUNT FALLING CAUSING SERIOUS PERSONAL INJURY OR DAMAGE TO EQUIPMENT! DO NOT overtighten hardware!

- Secure mount to studs using 5/16 x 2-1/2" lag screws [not included] and 5/16" flat washers [not included] (8 if 24" center studs and 12 if 16" center studs). (See Figure 3)

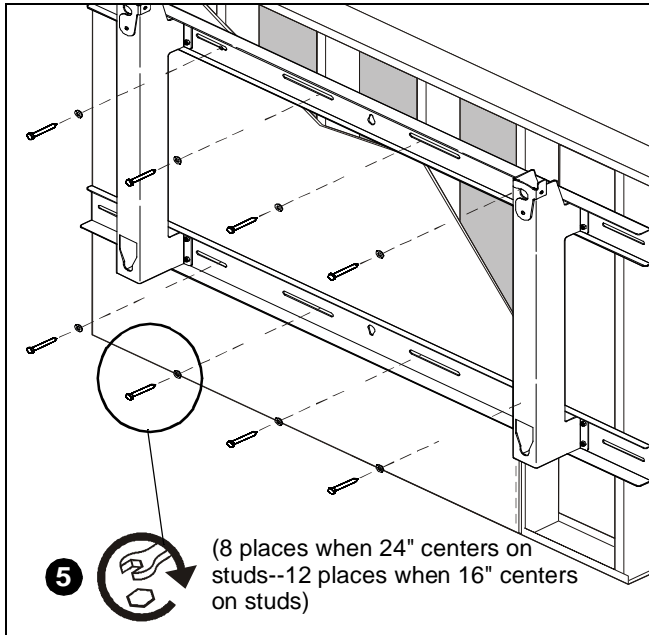


Figure 3

Display Installation



WARNING: IMPROPER INSTALLATION CAN LEAD TO MOUNT FALLING CAUSING SERIOUS PERSONAL INJURY OR DAMAGE TO EQUIPMENT! DO NOT substitute hardware.

- Move Q-Latches on mount to the OPEN position. (See Figure 4)

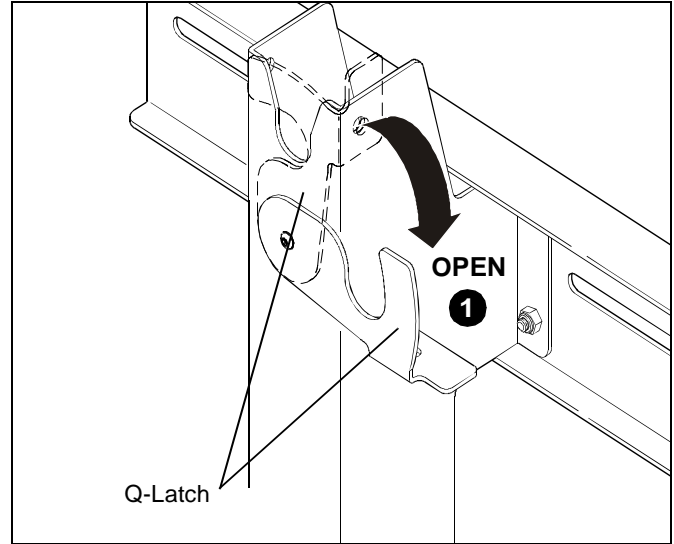


Figure 4

- Install four mounting buttons (2 of E, 2 of H) onto display using four socket head screws (C or D). (See Figure 5)

IMPORTANT ! : The two mounting buttons with the notch in them (H) should be used as the top mounting buttons.

- Lift display following lifting instructions provided by display manufacturer.
- Align mounting buttons on display with teardrop mounting holes in mount. (See Figure 6)
- Move display forward until recessed area of mounting buttons is positioned over lower area of teardrop mounting holes. (See Figure 6)
- Lower display until recess area of mounting buttons is seated in lower area of teardrop mounting holes. (See Figure 6)

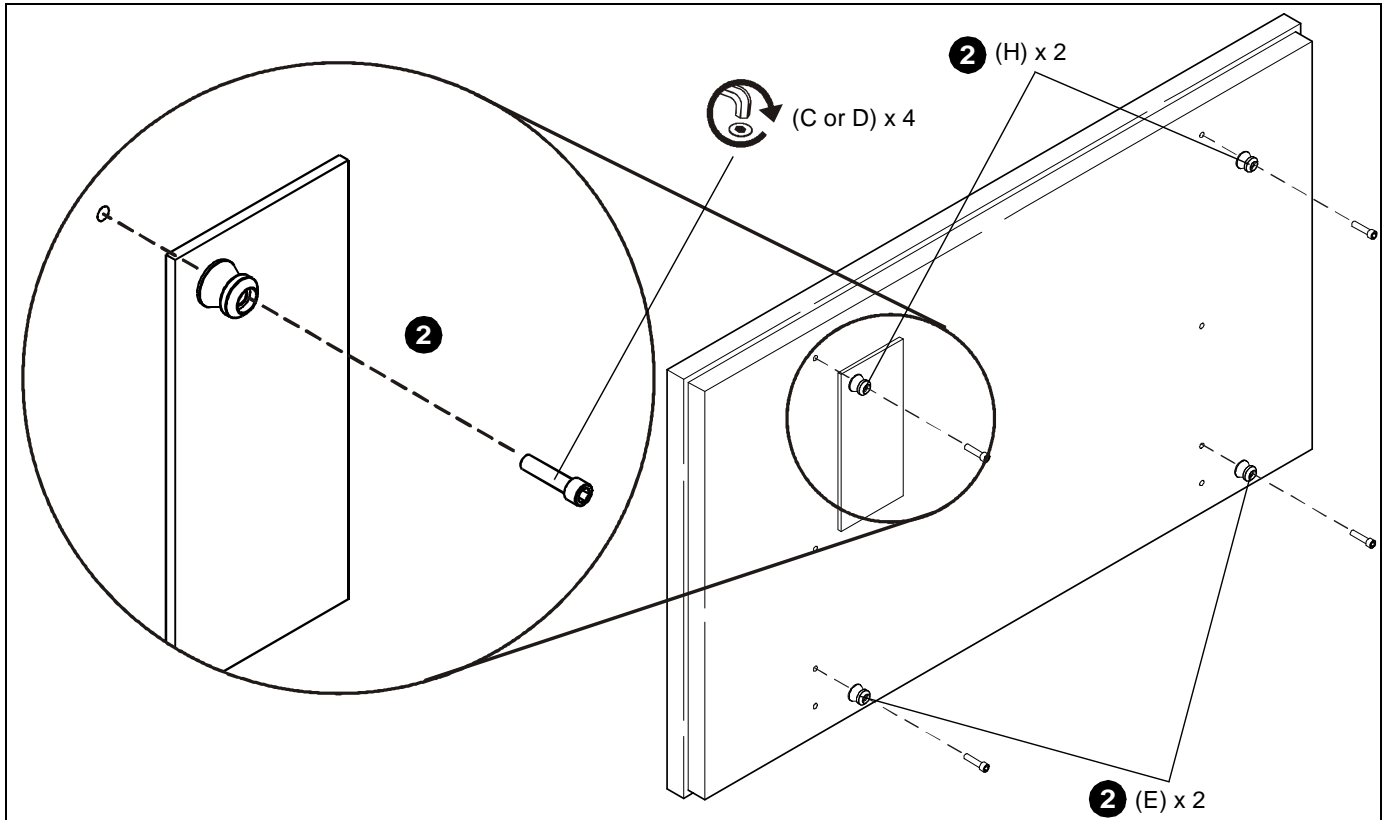


Figure 5

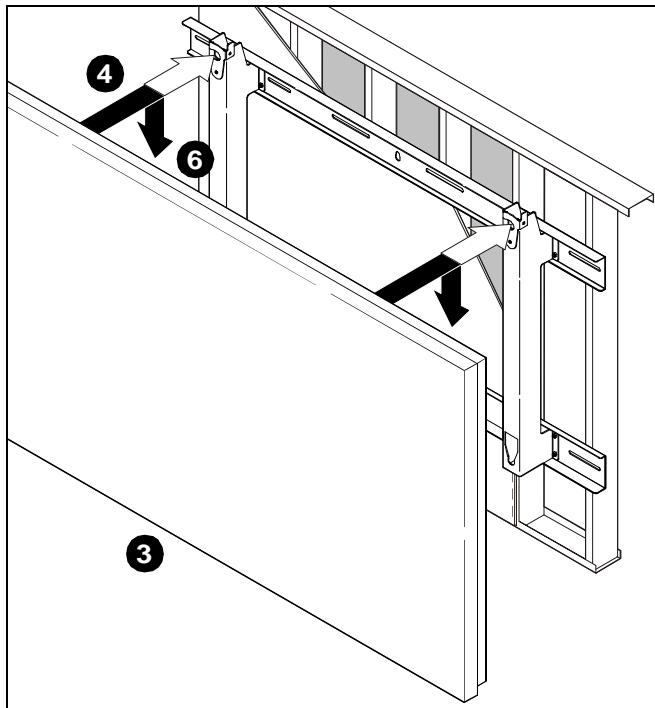


Figure 6

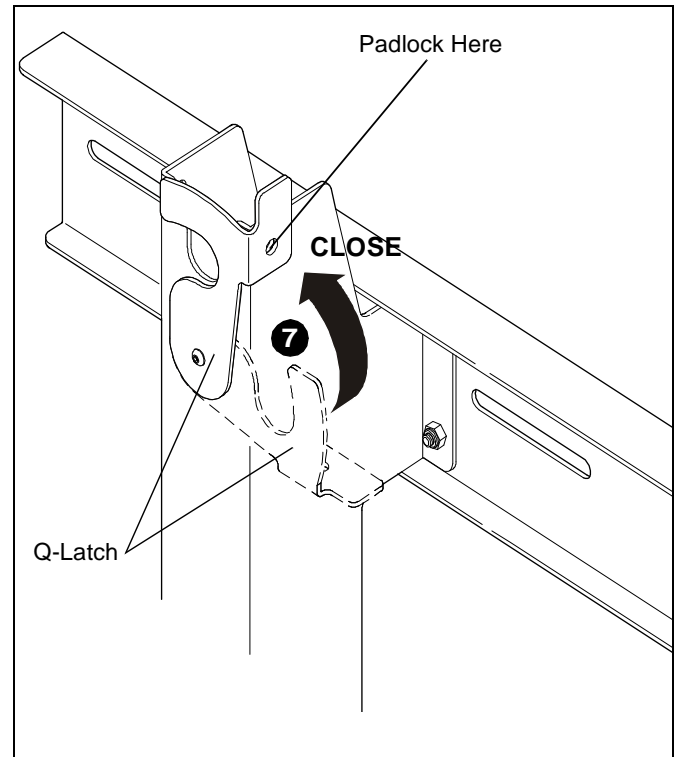


Figure 7

7. Move Q-Latches to Closed position and lock if desired.
(See Figure 7)

8. Route wires and cables to display.



Our Mounts. Your Vision.

Chief Manufacturing, a products
division of Milestone AV Technologies

8831-000015 Rev02
©2009 Milestone AV Technologies, a
Duchossois Group Company
www.chiefmfg.com
12/09

USA/International A 8401 Eagle Creek Parkway, Savage, MN 55378
P 800.582.6480 / 952.894.6280
F 877.894.6918 / 952.894.6918

Europe A Fellenoord 130 5611 ZB EINDHOVEN, The Netherlands
P +31 (0)40 2668620
F +31 (0)40 2668615

Asia Pacific A Office No. 1 on 12/F, Shatin Galleria
18-24 Shan Mei Street
Fotan, Shatin, Hong Kong
P 852 2145 4099
F 852 2145 4477

