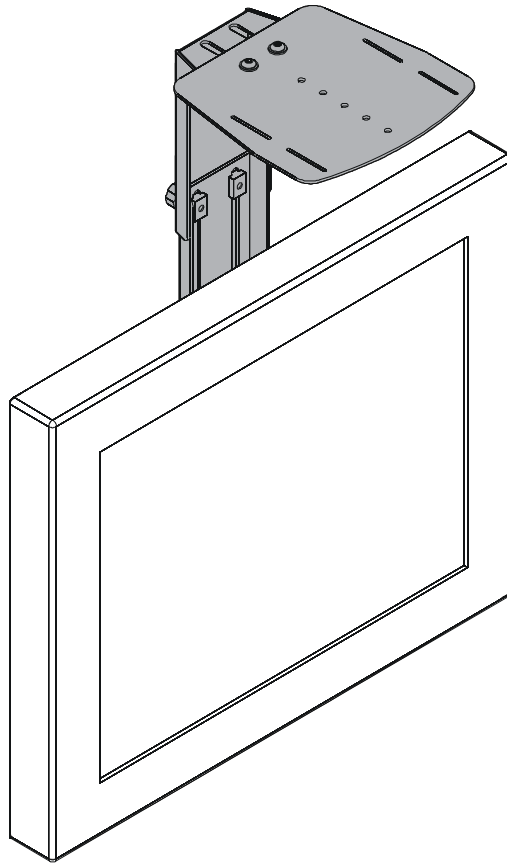

INSTALLATION INSTRUCTIONS



Video Conferencing Shelf

DISCLAIMER

Milestone AV Technologies and its affiliated corporations and subsidiaries (collectively "Milestone"), intend to make this manual accurate and complete. However, Milestone makes no claim that the information contained herein covers all details, conditions or variations, nor does it provide for every possible contingency in connection with the installation or use of this product. The information contained in this document is subject to change without notice or obligation of any kind. Milestone makes no representation of warranty, expressed or implied, regarding the information contained herein. Milestone assumes no responsibility for accuracy, completeness or sufficiency of the information contained in this document.

Chief® is a registered trademark of Milestone AV Technologies. All rights reserved.

! IMPORTANT WARNINGS AND CAUTIONS!

! WARNING: A WARNING alerts you to the possibility of serious injury or death if you do not follow the instructions.

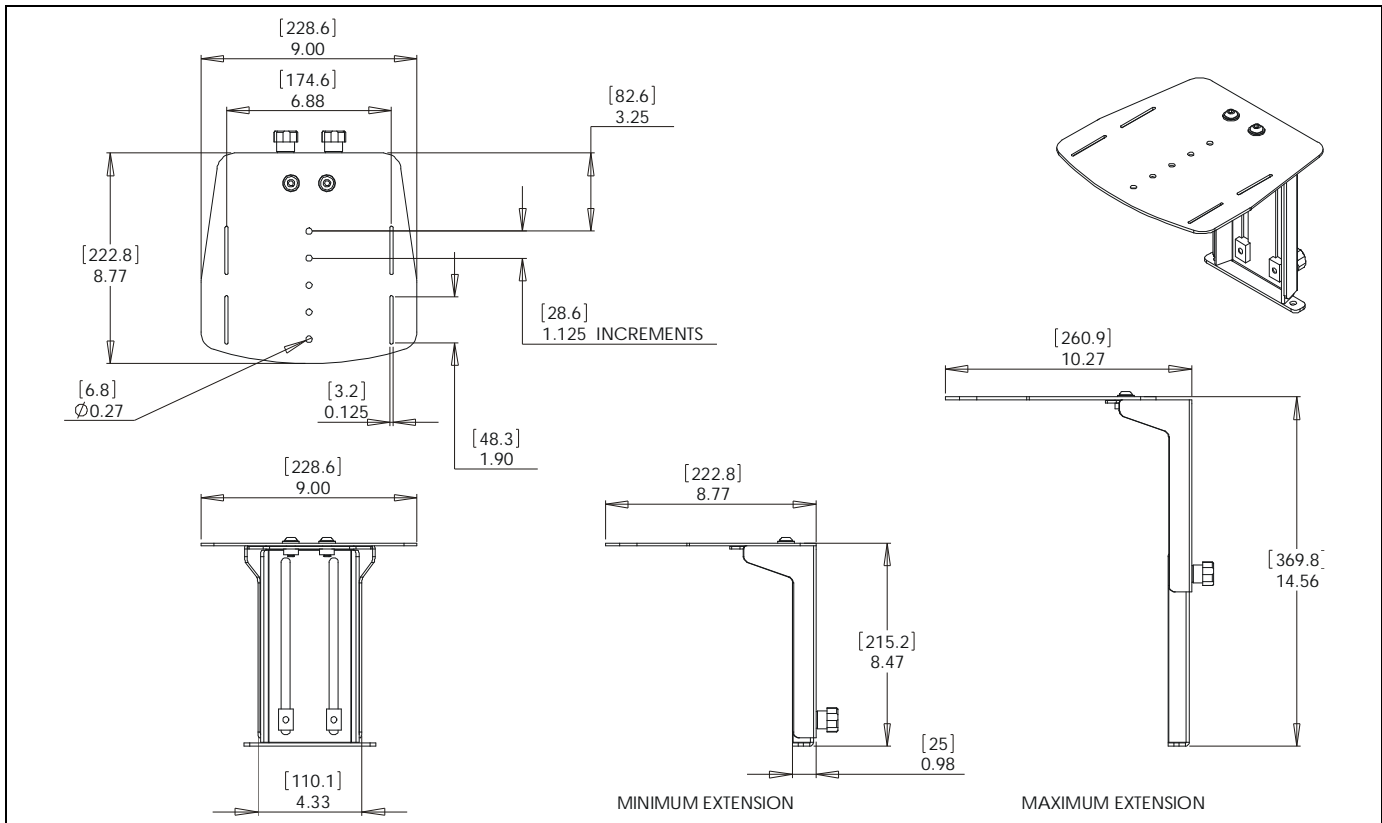
! CAUTION: A CAUTION alerts you to the possibility of damage or destruction of equipment if you do not follow the corresponding instructions.

! WARNING: Failure to read, thoroughly understand, and follow all instructions can result in serious personal injury, damage to equipment, or voiding of factory warranty! It is the installer's responsibility to make sure all components are properly assembled and installed using the instructions provided.



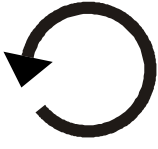


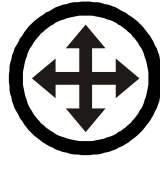






! WARNING: Failure to provide adequate structural strength for this component can result in serious personal injury or damage to equipment! It is the installer's responsibility to make sure the structure to which this component is attached can support five times the combined weight of all equipment. Reinforce the structure as required before installing the component.

! WARNING: Exceeding the weight capacity can result in serious personal injury or damage to equipment! It is the installer's responsibility to make sure the combined weight of all equipment and accessories mounted on the PAC715 does not exceed 10 lbs (4.54 kg).

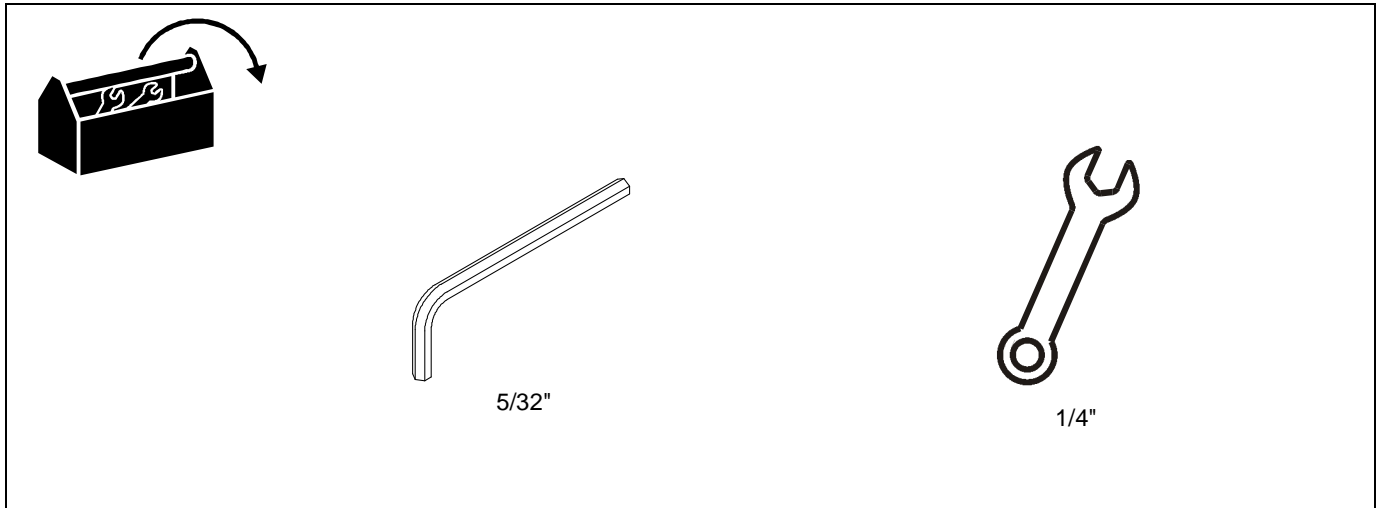
DIMENSIONS



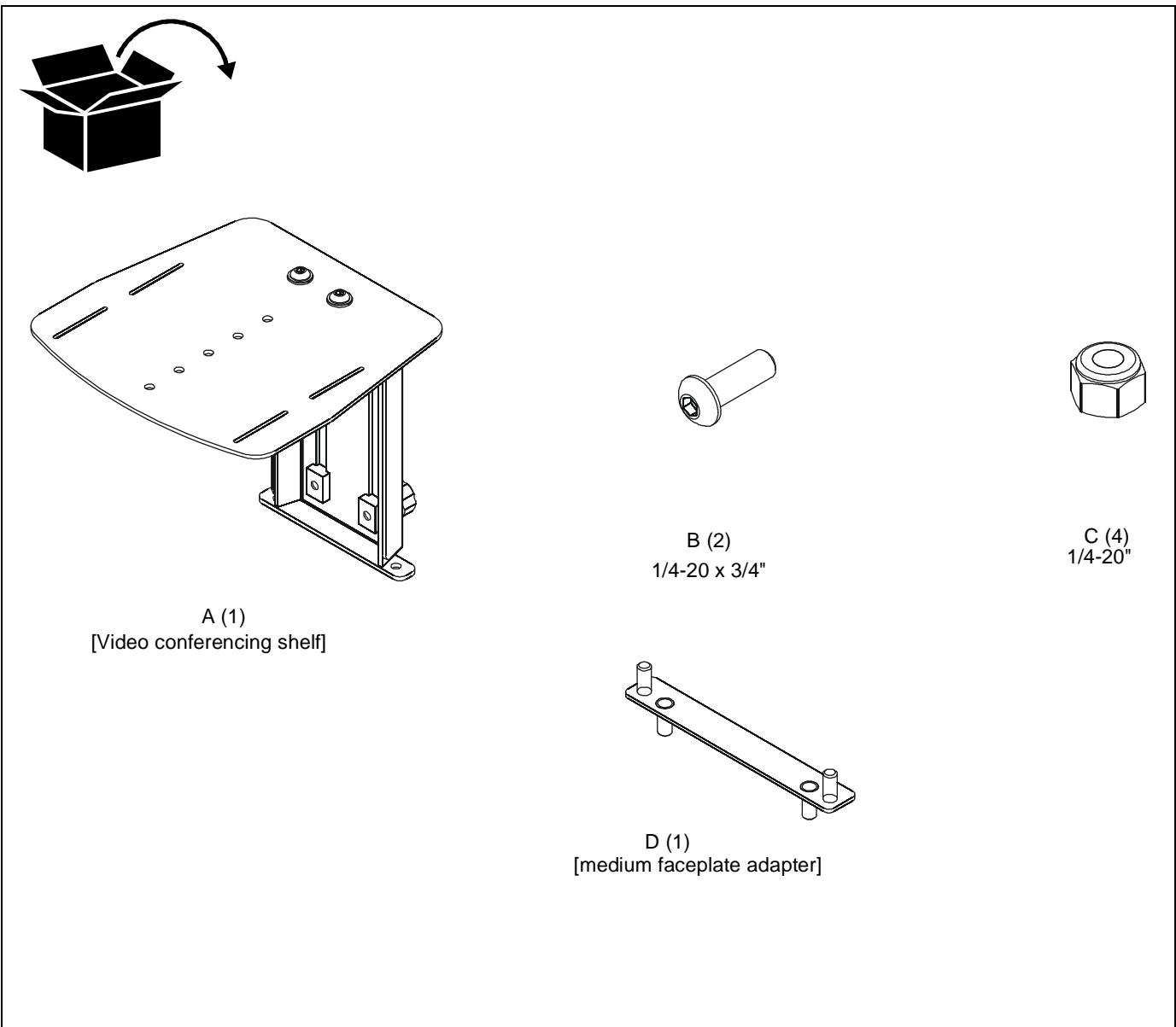
LEGEND

	<p>Tighten Fastener Apretar elemento de fijación Befestigungsteil festziehen Apertar fixador Serrare il fissaggio Bevestiging vastdraaien Serrez les fixations</p>		<p>Pencil Mark Marcar con lápiz Stiftmarkierung Marcar com lápis Segno a matita Potloodmerkten Marquage au crayon</p>
	<p>Loosen Fastener Aflojar elemento de fijación Befestigungsteil lösen Desapertar fixador Allentare il fissaggio Bevestiging losdraaien Desserrez les fixations</p>		<p>Drill Hole Perforar Bohrloch Fazer furo Praticare un foro Gat boren Percez un trou</p>
	<p>Phillips Screwdriver Destornillador Phillips Kreuzschlitzschraubendreher Chave de fendas Phillips Cacciavite a stella Kruiskopschroevendraaier Tournevis à pointe cruciforme</p>		<p>Adjust Ajustar Einstellen Ajustar Regolare Afstellen Ajuster</p>
	<p>Open-Ended Wrench Llave de boca Gabelschlüssel Chave de bocas Chiave a punte aperte Steeksleutel Clé à fourche</p>		<p>Remove Quitar Entfernen Remover Rimuovere Verwijderen Retirez</p>
	<p>By Hand A mano Von Hand Com a mão A mano Met de hand À la main</p>		<p>Optional Opcional Optional Opcional Opzionale Optie En option</p>
	<p>Hex-Head Wrench Llave de cabeza hexagonal Sechskantschlüssel Chave de cabeça sextavada Chiave esagonale Zeskantsleutel Clé à tête hexagonale</p>		<p>Security Wrench Llave de seguridad Sicherheitsschlüssel Chave de segurança Chiave di sicurezza Veiligheidssleutel Clé de sécurité</p>

TOOLS REQUIRED FOR INSTALLATION



PARTS



Installation

NOTE: The PAC715 video conferencing shelf can be mounted before or after the display is mounted to the faceplate. It may be mounted above or below the display if mounting to a large faceplate. It may only be mounted above the display if mounting to a medium faceplate.

Attach to Large Faceplate

1. Position video conferencing shelf (A) above or below the faceplate making sure to line up the holes on the shelf with the holes on the faceplate. (See Figure 1 or 2)
2. Install two 1/4-20 x 3/4" button head cap screws (B) through holes in shelf and faceplate. (See Figure 1 or 2)
3. Thread two 1/4-20" lock nuts onto screws to secure shelf to faceplate. (See Figure 1 or 2)

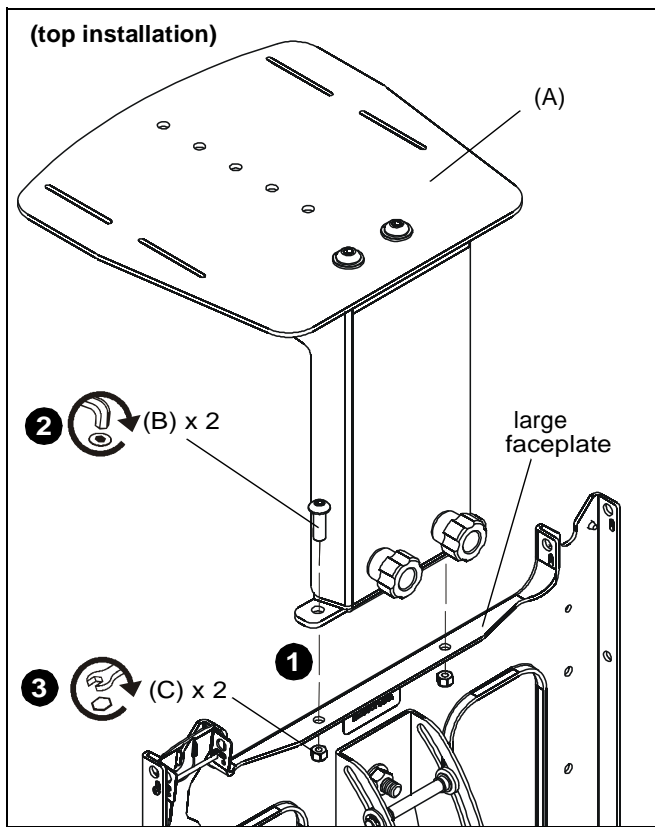


Figure 1

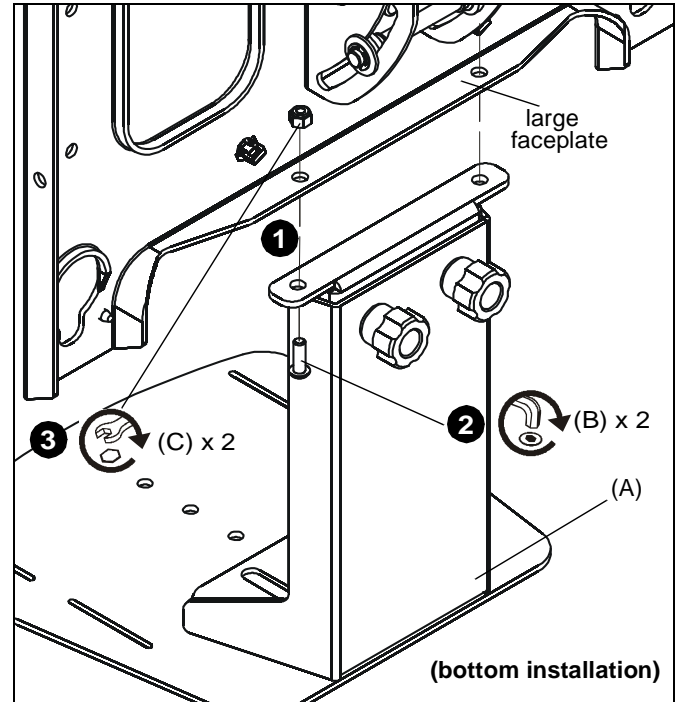


Figure 2

Attach to Medium Faceplate

NOTE: The PAC715 may only be mounted above the display when mounting to a medium faceplate.

1. Use two 1/4-20" lock nuts (C) to secure medium faceplate adapter (D) to top or bottom of medium faceplate. (See Figure 3)
2. Thread two 1/4-20" lock nuts (C) onto screws to secure shelf to medium faceplate adapter (D). (See Figure 3)

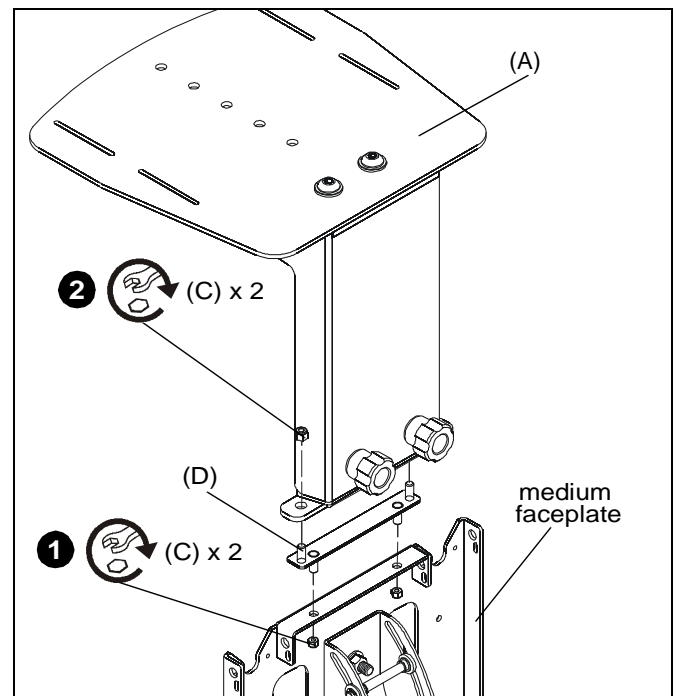


Figure 3

Camera Mounting



WARNING: Exceeding the weight capacity can result in serious personal injury or damage to equipment! It is the installer's responsibility to make sure the combined weight of all equipment and accessories mounted on the PAC715 does not exceed 10 lbs (4.54 kg).

Mounting options will vary depending on the type of camera being mounted.

Camera can be secured to mount either by threading a tie through outside slots on camera mount and around the camera or by inserting a screw through the center holes into a hole on the bottom of the camera.

NOTE: It is also acceptable to mount the camera directly to the shelf without any screws or ties.

Adjustments

Height Adjustment

1. Loosen two adjustment knobs on the back of the video conferencing shelf (A). (See Figure 4)
2. Raise or lower shelf to desired height. (See Figure 4)
3. Tighten two adjustment knobs on the back of the shelf until mount is secure. (See Figure 4)

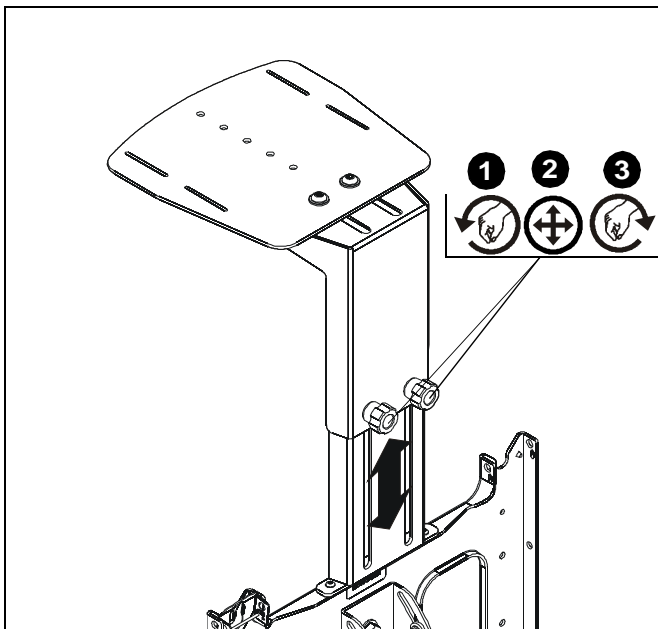


Figure 4

Shelf Extension Adjustment

1. Loosen two button head cap screws on video conferencing shelf (A). (See Figure 5)
2. Adjust shelf to desired mounting position. (See Figure 5)
3. Tighten two button head cap screws on shelf until mount is secure. (See Figure 5)

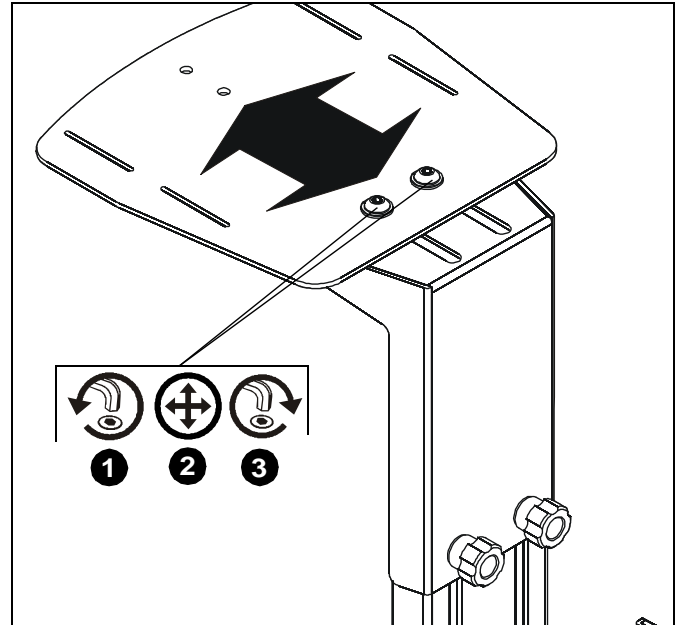


Figure 5



Our Mounts. **Your Vision.**

Chief Manufacturing, a products division
of Milestone AV Technologies

8807-002000 Rev03
©2010 Milestone AV Technologies, a
Duchossois Group Company
www.chiefmfg.com
02/10

USA/International	A 8401 Eagle Creek Parkway, Savage, MN 55378 P 800.582.6480 / 952.894.6280 F 877.894.6918 / 952.894.6918
Europe	A Fellenoord 130 5611 ZB EINDHOVEN, The Netherlands P +31 (0)40 2668620 F +31 (0)40 2668615
Asia Pacific	A Office No. 1 on 12/F, Shatin Galleria 18-24 Shan Mei Street Fotan, Shatin, Hong Kong P 852 2145 4099 F 852 2145 4477

