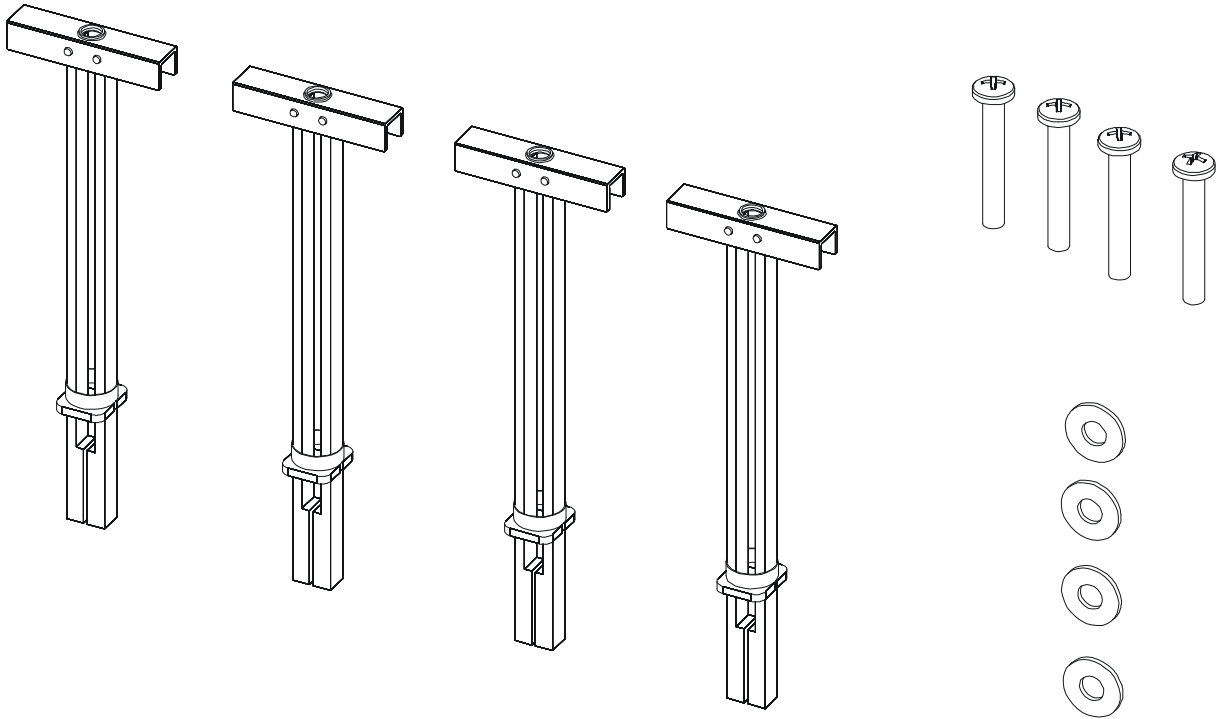

INSTALLATION INSTRUCTIONS



Steel Stud / Dry Wall Anchor Kits

DISCLAIMER

Milestone AV Technologies and its affiliated corporations and subsidiaries (collectively "Milestone"), intend to make this manual accurate and complete. However, Milestone makes no claim that the information contained herein covers all details, conditions or variations, nor does it provide for every possible contingency in connection with the installation or use of this product. The information contained in this document is subject to change without notice or obligation of any kind. Milestone makes no representation of warranty, expressed or implied, regarding the information contained herein. Milestone assumes no responsibility for accuracy, completeness or sufficiency of the information contained in this document.

Chief® is a registered trademark of Milestone AV Technologies. All rights reserved.

! IMPORTANT WARNINGS AND CAUTIONS!

! WARNING: A WARNING alerts you to the possibility of serious injury or death if you do not follow the instructions.

! CAUTION: A CAUTION alerts you to the possibility of damage or destruction of equipment if you do not follow the corresponding instructions.

! WARNING: Failure to read, thoroughly understand, and follow all instructions can result in serious personal injury, damage to equipment, or voiding of factory warranty! It is the installer's responsibility to make sure all components are properly assembled and installed using the instructions provided.

! WARNING: Failure to provide adequate structural strength for this component can result in serious personal injury or damage to equipment! It is the installer's responsibility to make sure the structure to which this component is attached can support five times the combined weight of all equipment. Reinforce the structure as required before installing the component. The wall to which the mount is being attached may have a maximum drywall thickness of 5/8" (1.6cm).

! WARNING: Exceeding the weight capacity can result in serious personal injury or damage to equipment! It is the installer's responsibility to make sure the combined weight of all components does not exceed 175 lbs (79.38 kg) or the maximum weight capacity of the mount to which this accessory is being installed. This product is NOT designed for use with articulating wall mounts.

TOOLS/PARTS FOR INSTALLATION

The diagram illustrates the tools and parts required for installation. On the left, a toolbox, a power drill, a set of screws, and a screwdriver are shown. On the right, a [1/4-20 toggler anchor] (A) is shown with a 1/4-20 x 1-3/4" anchor (B) and a 1/4" washer (C).

	A	B	C
MODEL	(qty)	(qty)	(qty)
PAC115	4	4	4
PAC116	8	8	8
PAC117	28	28	28

Assembly and Installation

1. Drill a 1/2" hole at the desired location, making sure wall is at least 1/2" thick. If the wall is made with metal studs, it is recommended to install the anchor through the drywall and the metal stud.
2. Hold metal channel on anchor (A) flat alongside plastic straps and slide channel through hole. (See Figure 1)

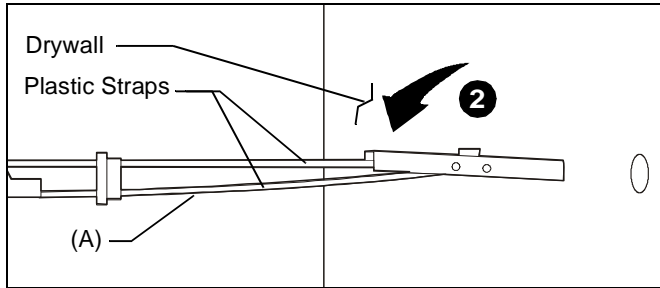


Figure 1

3. Holding plastic straps on anchor (A), pull anchor away from wall until channel rests flush behind wall making sure anchor channel is positioned vertically on stud. (See Figure 2)
4. Slide plastic cap on anchor (A) towards wall until flange of cap is flush with wall. (See Figure 2)

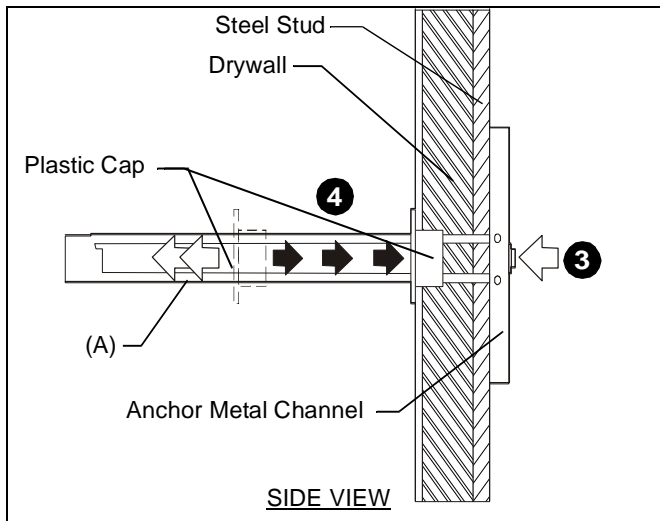


Figure 2

5. Snap off plastic straps on anchor at wall by pushing side to side, snapping off straps level with flange of plastic cap. (See Figure 3)
6. Repeat steps 1 through 5 for each mounting hole.

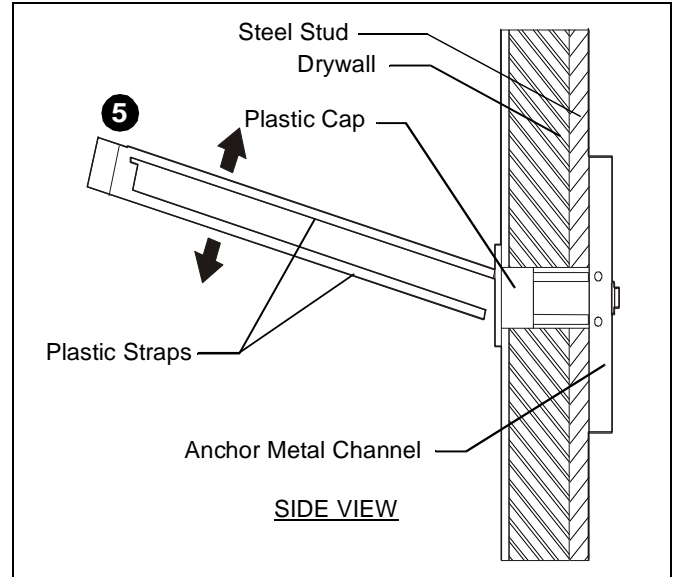


Figure 3

7. Place mount over anchors and align mounting holes in display mount with holes in anchors. (See Figure 4)
8. Insert 1/4-20 x 1-3/4" Phillips pan head screws (B) through 1/4" washer (C), corresponding mounting hole on mount and into anchor (A) and tighten until flush against mount. DO NOT overtighten! (See Figure 4)
9. Repeat steps 7 and 8 for remaining mounting holes.



WARNING: IMPROPER INSTALLATION CAN LEAD TO EQUIPMENT FALLING CAUSING SERIOUS PERSONAL INJURY OR DAMAGE TO EQUIPMENT! Overtightening of mounting hardware can damage the steel studs. DO NOT overtighten mounting hardware!

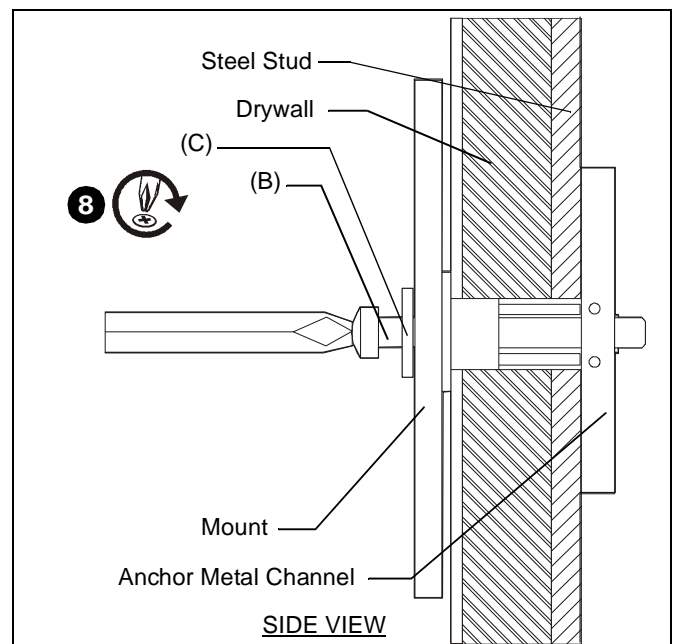


Figure 4



Our Mounts. **Your Vision.**

Chief Manufacturing, a products division
of Milestone AV Technologies

8809-002003 Rev00

©2010 Milestone AV Technologies, a

Duchossois Group Company

www.chiefmfg.com

08/10

USA/International A 8401 Eagle Creek Parkway, Savage, MN 55378

P 800.582.6480 / 952.894.6280

F 877.894.6918 / 952.894.6918

Europe

A Fellenoord 130 5611 ZB EINDHOVEN, The Netherlands

P +31 (0)40 2668620

F +31 (0)40 2668615

Asia Pacific

A Office No. 1 on 12/F, Shatin Galleria
18-24 Shan Mei Street

Fotan, Shatin, Hong Kong

P 852 2145 4099

F 852 2145 4477

