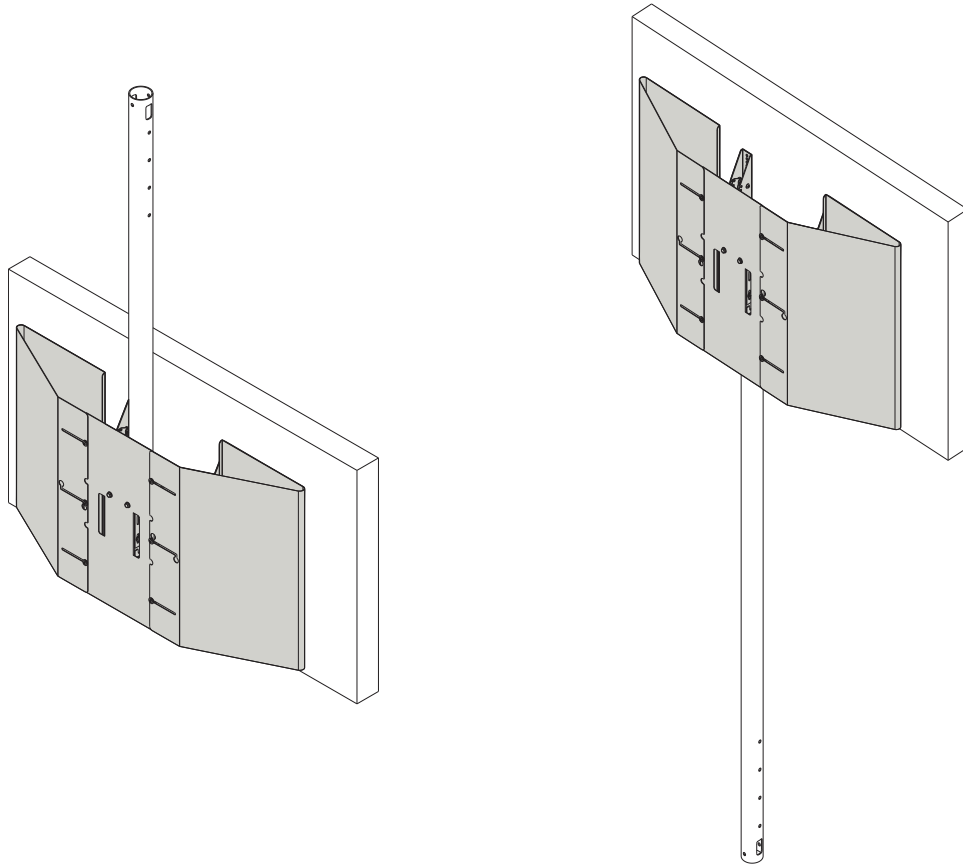


---

# INSTALLATION INSTRUCTIONS

---



---

## Large Outdoor Floor/Ceiling Mount

---

**DISCLAIMER**

Milestone AV Technologies and its affiliated corporations and subsidiaries (collectively "Milestone"), intend to make this manual accurate and complete. However, Milestone makes no claim that the information contained herein covers all details, conditions or variations, nor does it provide for every possible contingency in connection with the installation or use of this product. The information contained in this document is subject to change without notice or obligation of any kind. Milestone makes no representation of warranty, expressed or implied, regarding the information contained herein. Milestone assumes no responsibility for accuracy, completeness or sufficiency of the information contained in this document.


Chief® is a registered trademark of Milestone AV Technologies. All rights reserved.


**DEFINITIONS**

**MOUNTING SYSTEM:** A MOUNTING SYSTEM is the primary Chief product to which an accessory and/or component is attached.


**ACCESSORY:** AN ACCESSORY is the secondary Chief product which is attached to a primary Chief product, and may have a component attached or setting on it.


**COMPONENT:** A COMPONENT is an audiovisual item designed to be attached or resting on an accessory or mounting system such as a video camera, CPU, screen, display, projector, etc.


 **WARNING:** A WARNING alerts you to the possibility of serious injury or death if you do not follow the instructions.

 **CAUTION:** A CAUTION alerts you to the possibility of damage or destruction of equipment if you do not follow the corresponding instructions.


 **IMPORTANT SAFETY INSTRUCTIONS**

 **WARNING:** Failure to read, thoroughly understand, and follow all instructions can result in serious personal injury, damage to equipment, or voiding of factory warranty! It is the installer's responsibility to make sure all mounting systems are properly assembled and installed using the instructions provided.


 **WARNING:** Failure to provide adequate structural strength for this mounting system can result in serious personal injury or damage to equipment! It is the installer's responsibility to make sure the structure to which this mounting system is attached can support five times the combined weight of all equipment. Reinforce the structure as required before installing the mounting system.


 **WARNING:** Exceeding the weight capacity can result in serious personal injury or damage to equipment! It is the installer's responsibility to make sure the combined weight of all components located within the mounting system of the OLCM1U mounts does not exceed 250 lbs (113.4 kg).


**NOTE:** "Moment" ratings have NOT been evaluated by UL.


 **WARNING:** Exceeding the maximum moment can result in serious personal injury or damage to equipment! It is the installer's responsibility to make sure the mounting system does not exceed a moment of 2000 ft-lbs. See table below for specific column specifications.


COLUMN MODEL	Weight capacity	Moment Length (IN) (ML)	Max Design Moment (FT-LBS) (MDM)
ODAC0203B	300 lbs (136 kg)	23 min - 36 max	2000
ODAC0304B	300 lbs (136 kg)	33 min - 48 max	2000
ODAC0405B	300 lbs (136 kg)	45 min - 60 max	2000
ODAC0506B	300 lbs (136 kg)	57 min - 72 max	2000
ODAC0708B	300 lbs (136 kg)	81 min - 96 max	2000

 **WARNING:** Never operate this mounting system if it is damaged. Return the mounting system to a service center for examination and repair.

 **WARNING:** Use this mounting system only for its intended use as described in these instructions. Do not use attachments not recommended by the manufacturer.

 **WARNING:** Never operate this mounting system if it is damaged. Return the mounting system to a service center for examination and repair.

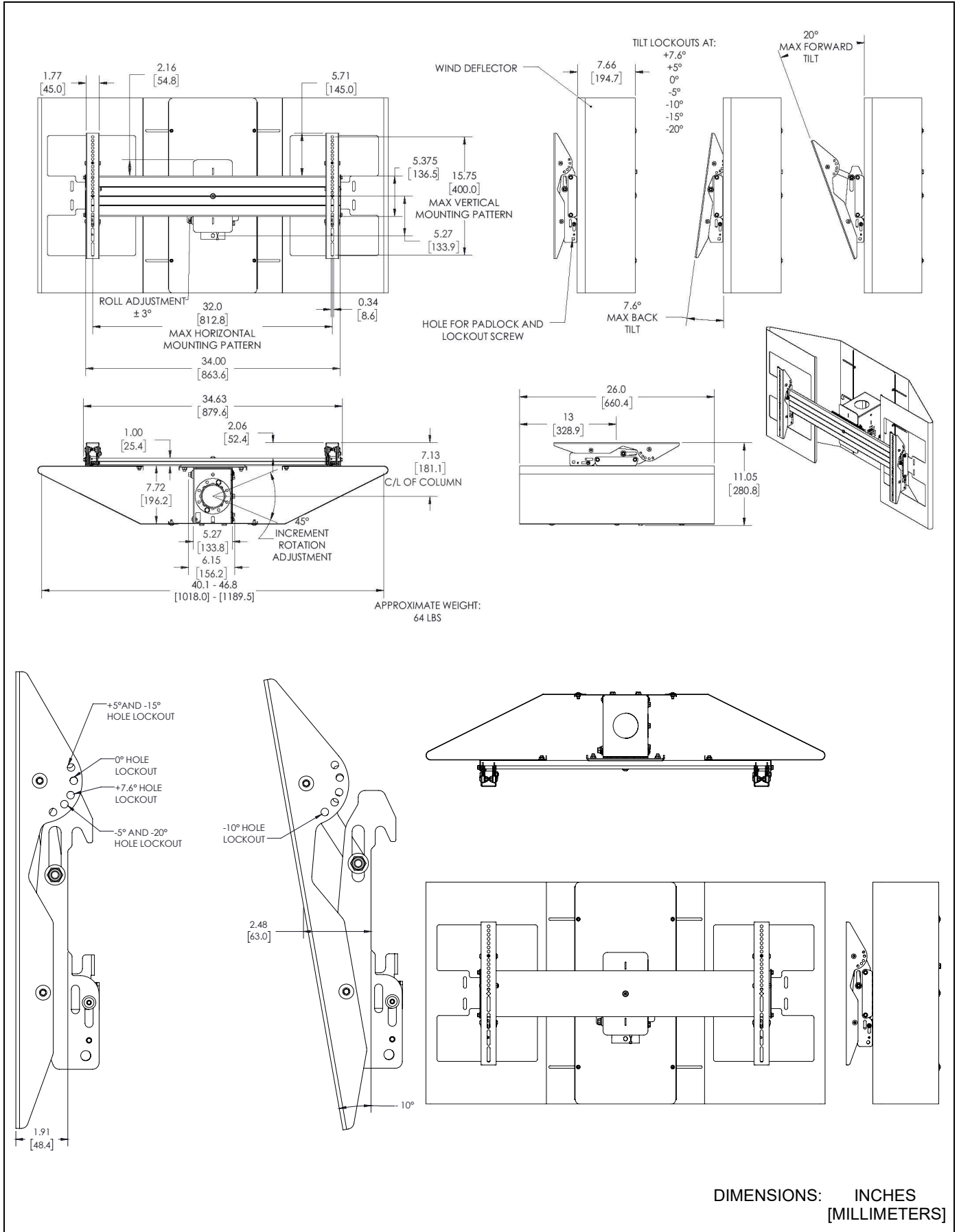
 **WARNING:** Use this mounting system with other outdoor products only.

 **WARNING:** Always use two people or a mechanical lifting device to safely lift and position equipment.

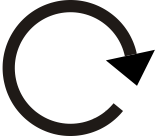

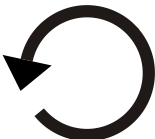









**NOTE:** The OLCM1U flat panel floor/ceiling mounts are intended to be used with UL Listed ODAC Series columns (not included): ODAC0203, ODAC0304, ODAC0405, ODAC0506, ODAC0708.

**--SAVE THESE INSTRUCTIONS--**

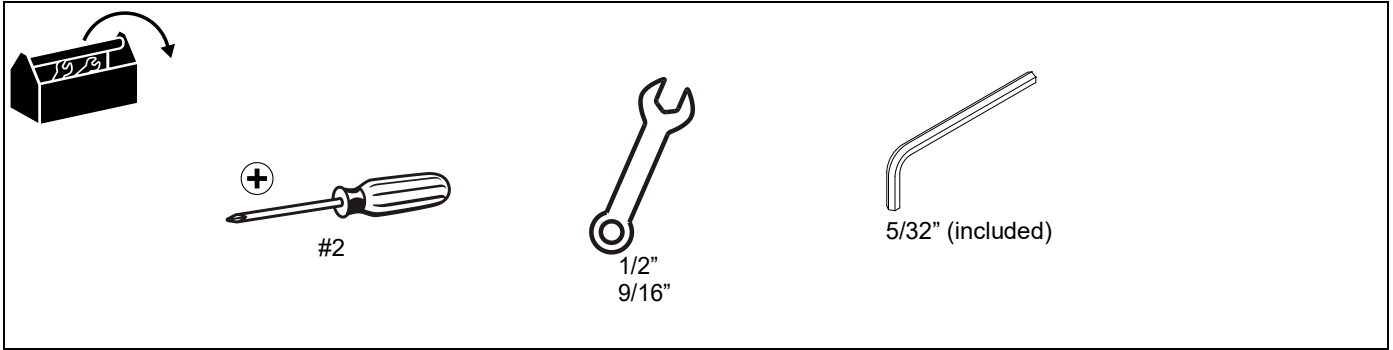
**DIMENSIONS**



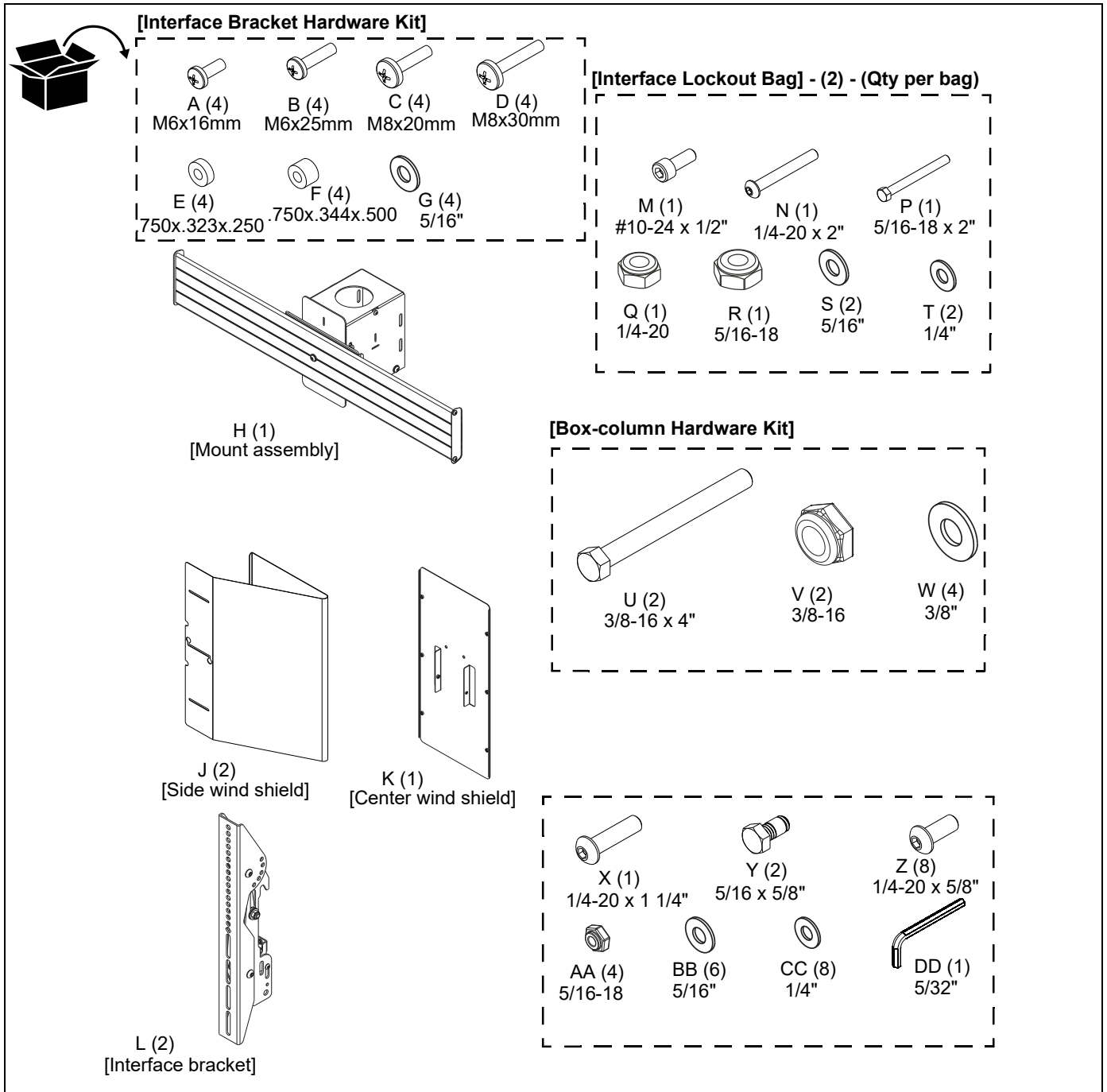
## LEGEND

	<b>Tighten Fastener</b> Apretar elemento de fijación Befestigungsteil festziehen Apertar fixador Serrare il fissaggio Bevestiging vastdraaien Serrez les fixations		<b>Pencil Mark</b> Marcar con lápiz Stiftmarkierung Marcar com lápis Segno a matita Potloodmerkteken Marquage au crayon
	<b>Loosen Fastener</b> Aflojar elemento de fijación Befestigungsteil lösen Desapertar fixador Allentare il fissaggio Bevestiging losdraaien Desserrez les fixations		<b>Drill Hole</b> Perforar Bohrloch Fazer furo Praticare un foro Gat boren Percez un trou
	<b>Phillips Screwdriver</b> Destornillador Phillips Kreuzschlitzschraubendreher Chave de fendas Phillips Cacciavite a stella Kruiskopschroevendraaier Tournevis à pointe cruciforme		<b>Adjust</b> Ajustar Einstellen Ajustar Regolare Afstellen Ajuster
	<b>Open-Ended Wrench</b> Llave de boca Gabelschlüssel Chave de bocas Chiave a punte aperte Steeksleutel Clé à fourche		<b>Remove</b> Quitar Entfernen Remover Rimuovere Verwijderen Retirez
	<b>By Hand</b> A mano Von Hand Com a mão A mano Met de hand À la main		<b>Optional</b> Opcional Optional Opcional Opzionale Optie En option
	<b>Hex-Head Wrench</b> Llave de cabeza hexagonal Sechskantschlüssel Chave de cabeça sextavada Chiave esagonale Zeskantsleutel Clé à tête hexagonale		<b>Security Wrench</b> Llave de seguridad Sicherheitsschlüssel Chave de segurança Chiave di sicurezza Veiligheidsleutel Clé de sécurité

**TOOLS REQUIRED FOR INSTALLATION**



**PARTS**



**INSTALLATION**

**IMPORTANT ! :** The following procedure assumes that:

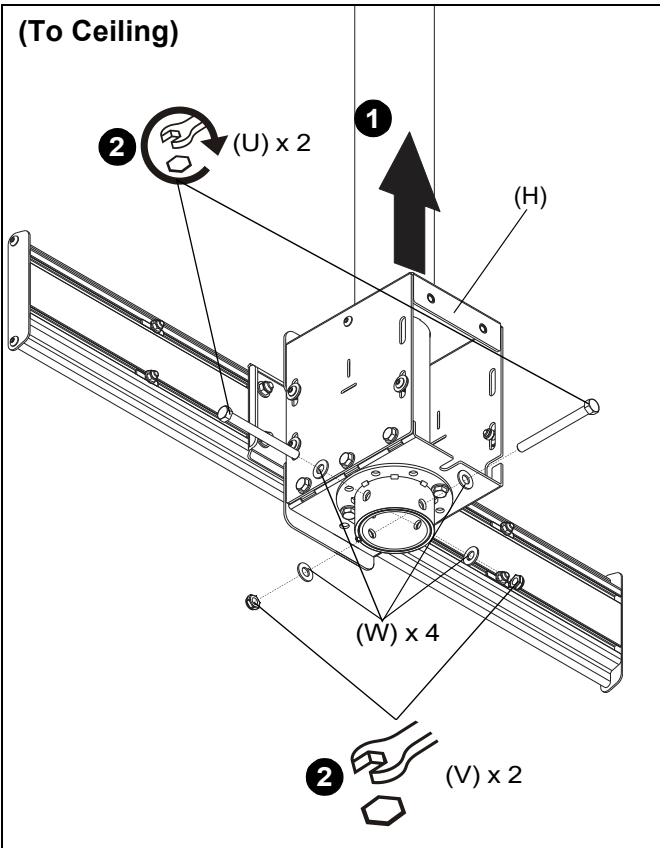
- a UL Listed ODAC Series Floor/Ceiling Column (not included) has been properly installed following instructions provided with plate and pipe.

**Attaching Mount to ODAC Series Column**

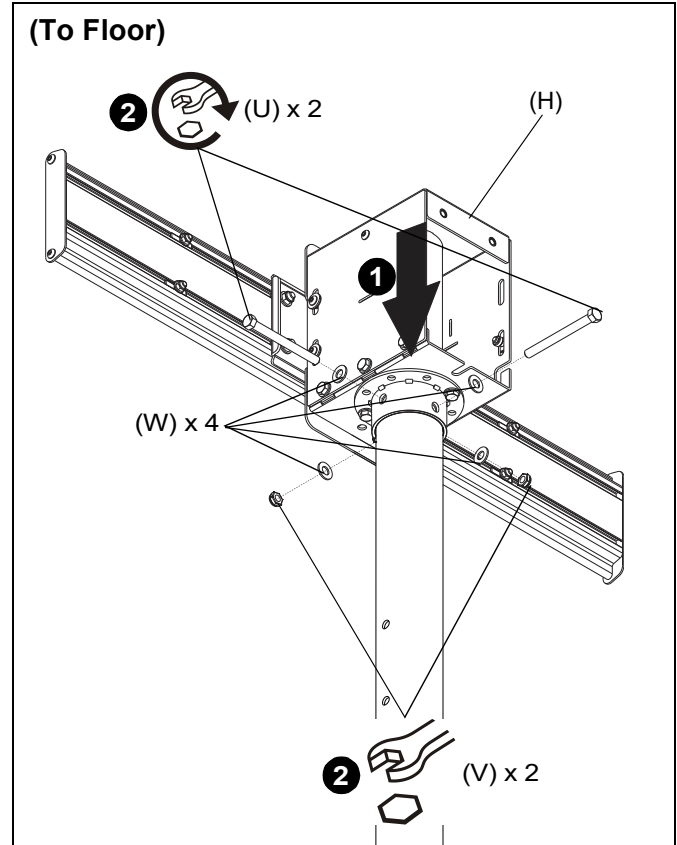


**CAUTION:** WATCH FOR PINCH POINTS! Do not place fingers between movable parts.

1. Slide mount assembly (H) onto ODAC Series Floor/Ceiling Column. (See Figure 1) or (See Figure 2)
2. Use two 3/8-16 x 4" hex head tapping bolts (U), four 3/8" washers (W) and 3/8-16 hex nuts (V). (See Figure 1) or (See Figure 2)

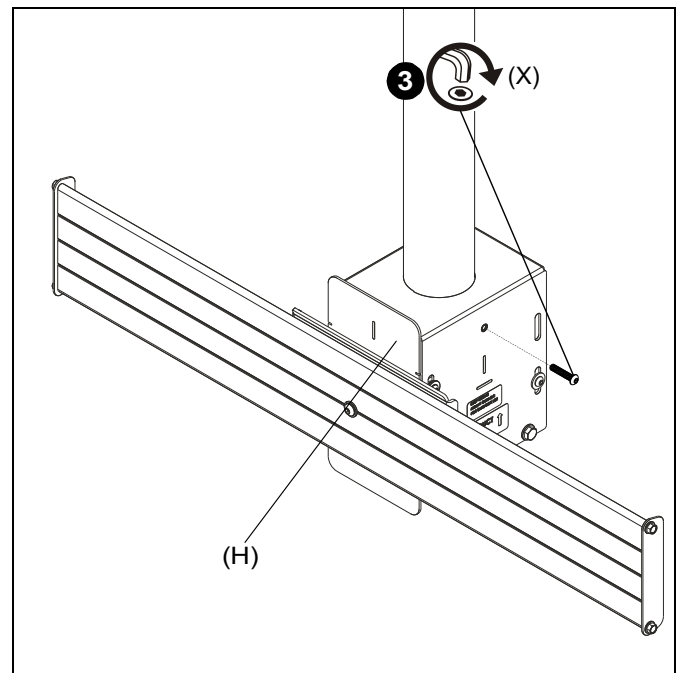


**Figure 1**



**Figure 2**

3. Install 1/4-20 x 1 1/4" button head cap screw (X) into mount assembly (H) to prevent column from rattling. (See Figure 3)



**Figure 3**

### Attach Wind Shield to Mount

1. Use two 5/16 x 5/8" hex head bolts (Y) and two 5/16" washers (BB) to secure center wind shield (K) to back of mount assembly (H). (See Figure 4)

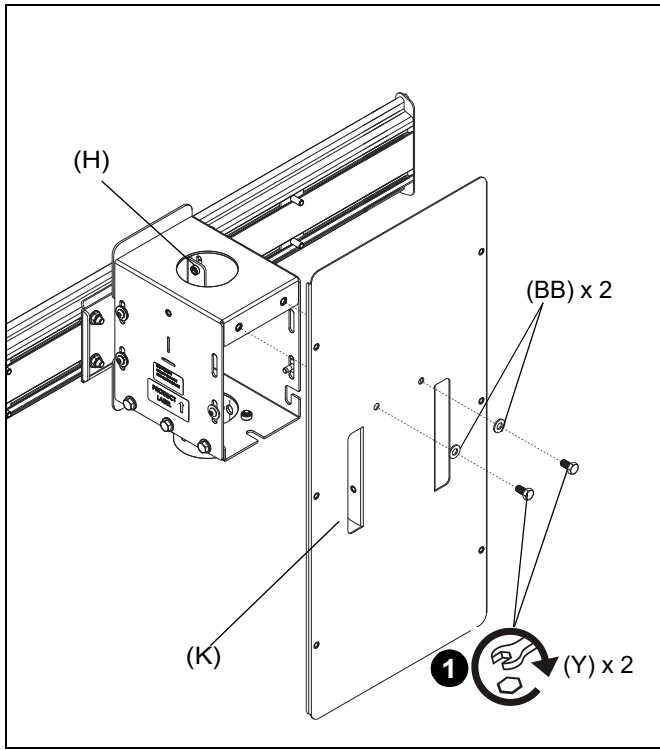


Figure 4

2. Use two 1/4-20 x 5/8" cap screws (Z) and two 1/4" washers (CC) to secure center wind shield (K) to sides of mount assembly (H). (See Figure 5)

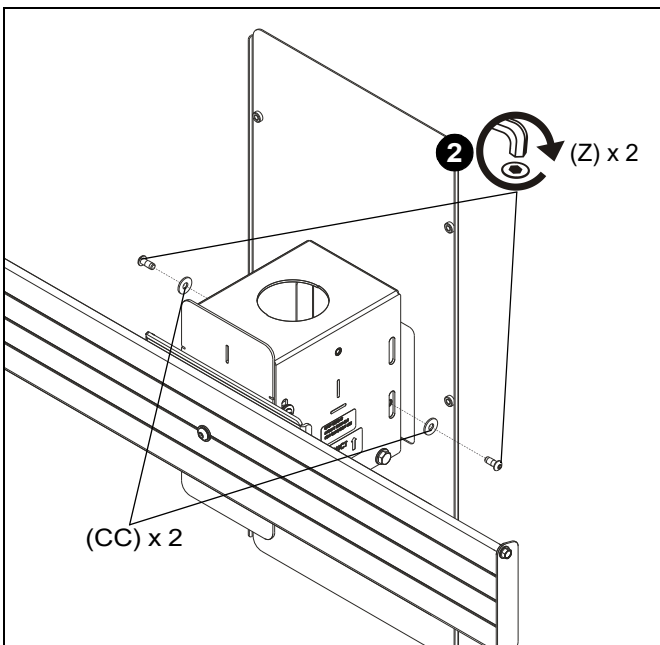


Figure 5

3. Loosely install two 1/4-20 x 5/8" button head cap screws (Z) and two 1/4" washers (CC) into two center holes on center wind shield (K). (See Figure 6)

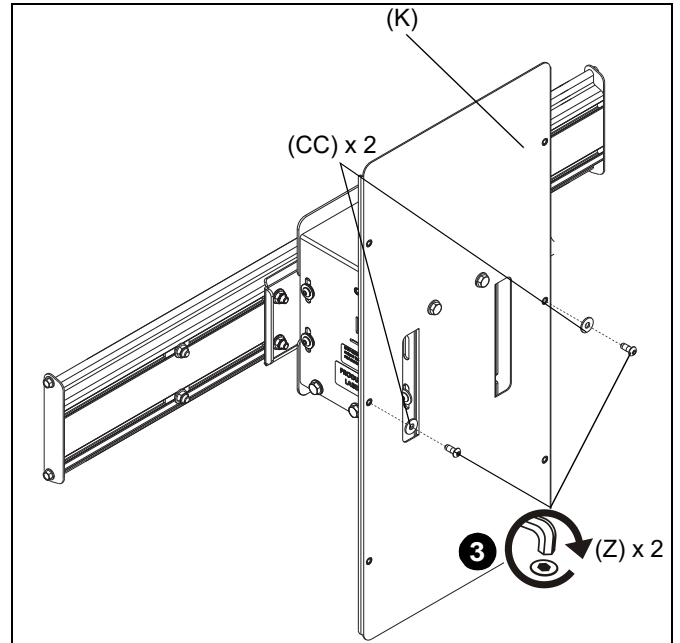


Figure 6

4. Hang two side wind shields (J) onto screws loosely installed in Step 3 using teardrop holes in center slots. (See Figure 7)
5. Slide wind shields (J) horizontally to desired mounting position. (See Figure 7)

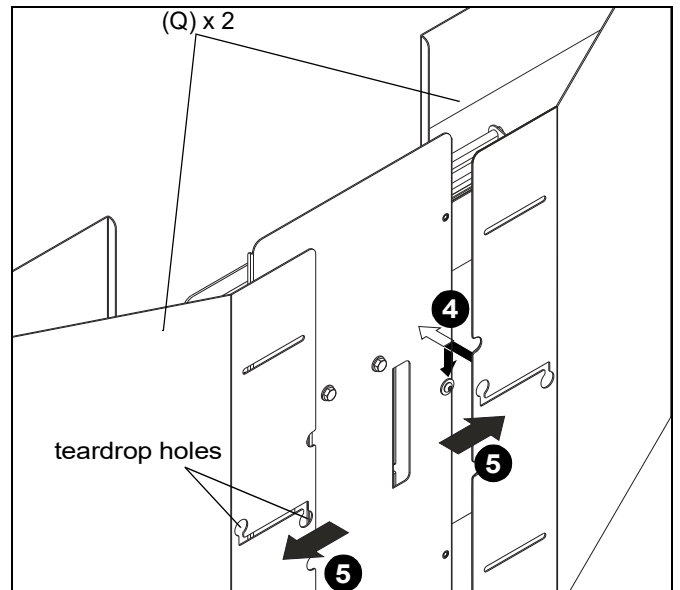


Figure 7

- Use four 1/4-20 x 5/8" button head cap screws (Z) and four 1/4" washers (CC) to secure two side wind shields (J) to center wind shield (K). (See Figure 8)
- Tighten all six screws (Z).

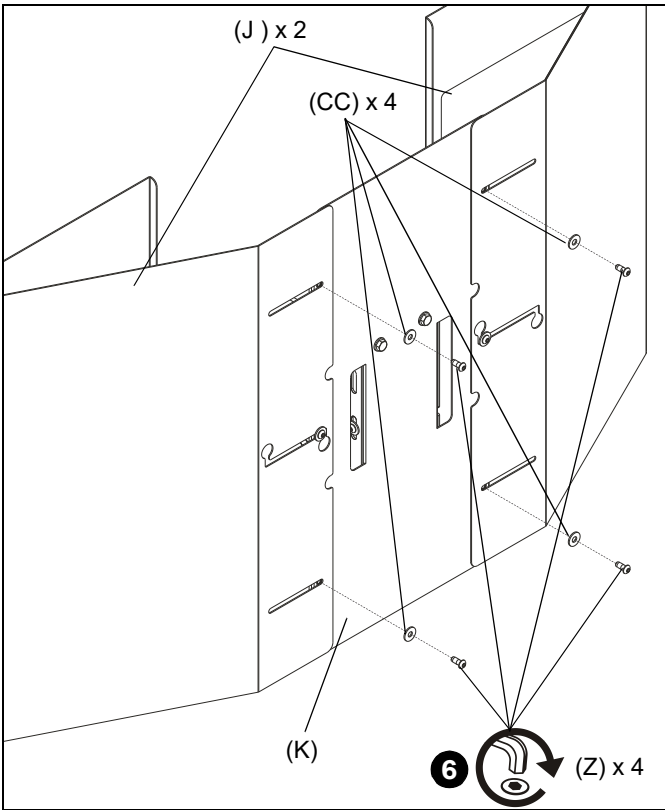


Figure 8

- Use four 5/16-18 hex nuts (AA) and four 5/16 inch washers (BB) to secure four wind shield connectors (pre-installed) to side wind shields (J). (See Figure 9)

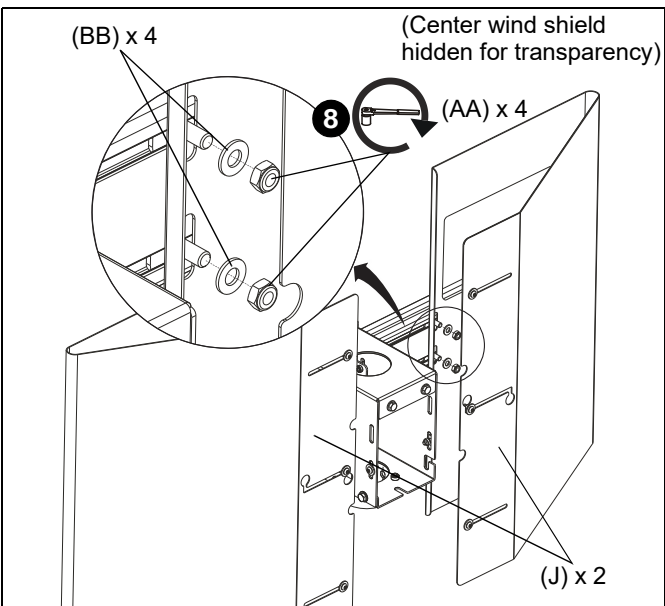


Figure 9

**Attaching Interface Brackets to Display**

- Lower the latch mechanism on each interface bracket (L). (See Figure 10)

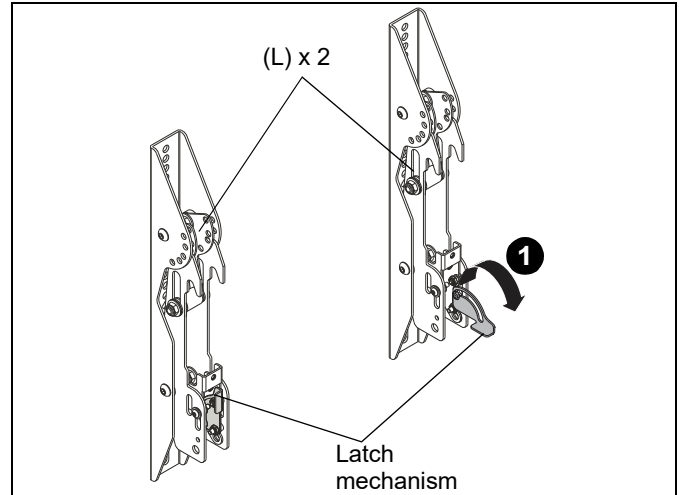


Figure 10

- Align the center of the interface bracket (L) with center of screen. (See Figure 11)

**NOTE:** The diamond-shape hole in the bracket corresponds to the center of the mount.

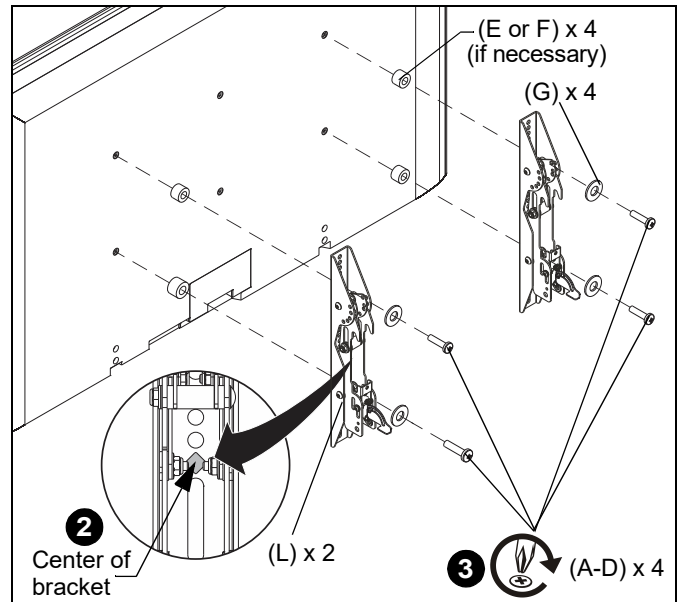


Figure 11



**WARNING:** IMPROPER INSTALLATION CAN LEAD TO DISPLAY FALLING CAUSING SERIOUS PERSONAL INJURY OR DAMAGE TO EQUIPMENT! Using screws of improper size may damage your display. Properly sized screws will easily and completely thread into display mounting holes. If spacers are required, be sure to use longer screws of the same diameter.

- Select correct screws, spacers (if necessary) and universal washers from the hardware bag (A-G) and attach brackets (L) to back of screen. (See Figure 11)



### Attaching Display to Ceiling Mount



**WARNING:** Exceeding the weight capacity can result in serious personal injury or damage to equipment! It is the installer's responsibility to make sure the combined weight of all components located within the mounting system of the OLCM1U mounts does not exceed 250 lbs (113.4 kg).

1. Ensure that the latch mechanisms on interface brackets (L) are already lowered. (See Figure 10)
2. While supporting both sides of display, lower display onto ceiling mount, hooking top of interface brackets onto front of ceiling mount. (See Figure 12)



**WARNING:** IMPROPER INSTALLATION CAN LEAD TO DISPLAY FALLING CAUSING SERIOUS PERSONAL INJURY OR DAMAGE TO EQUIPMENT! The display MUST be centered on the ceiling mount.

3. Raise the latch mechanism on both interface brackets to lock bracket in place. (See Figure 12)

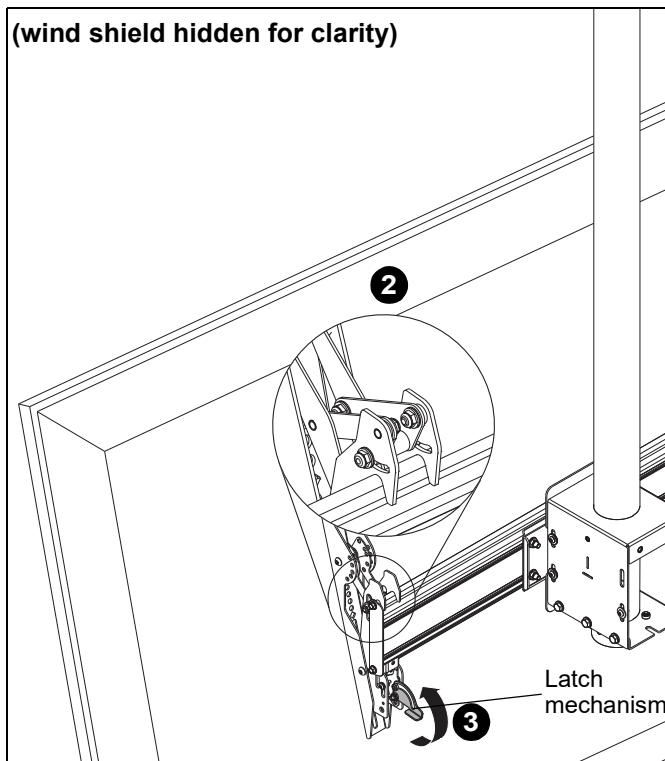


Figure 12

4. Fasten brackets against ceiling mount extrusion using two #10-24 x 1/2" socket head cap screws (M). (See Figure 13)

5. Repeat for other interface bracket.

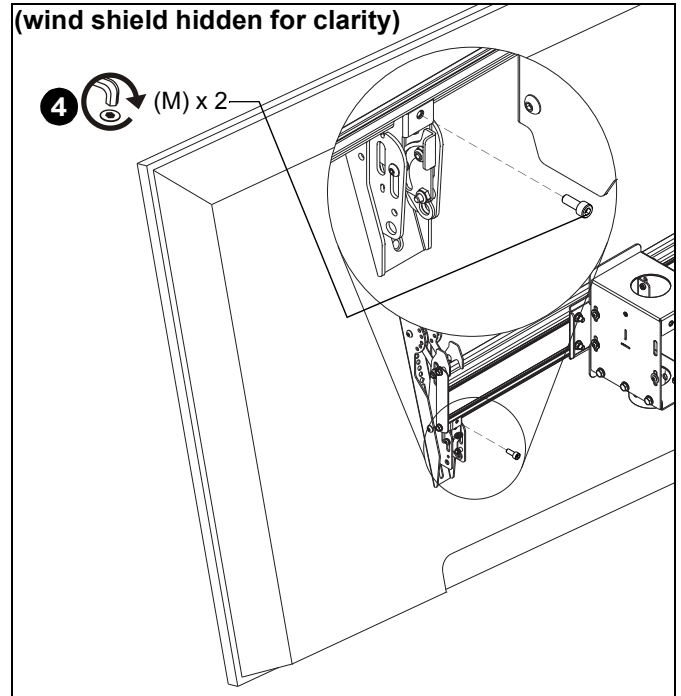


Figure 13

## Adjustments



**CAUTION:** Watch for pinch points! Do not place fingers between movable parts.

### Yaw

The ceiling mounts allows yaw adjustment in 45° increments in each direction.

1. Remove two bolts and washers connecting column collar to mount assembly box. (See Figure 14)
2. Adjust yaw in 45° increment until desired position is achieved. (See Figure 14)
3. Reinstall bolts and washers removed in Step 1. (See Figure 14)

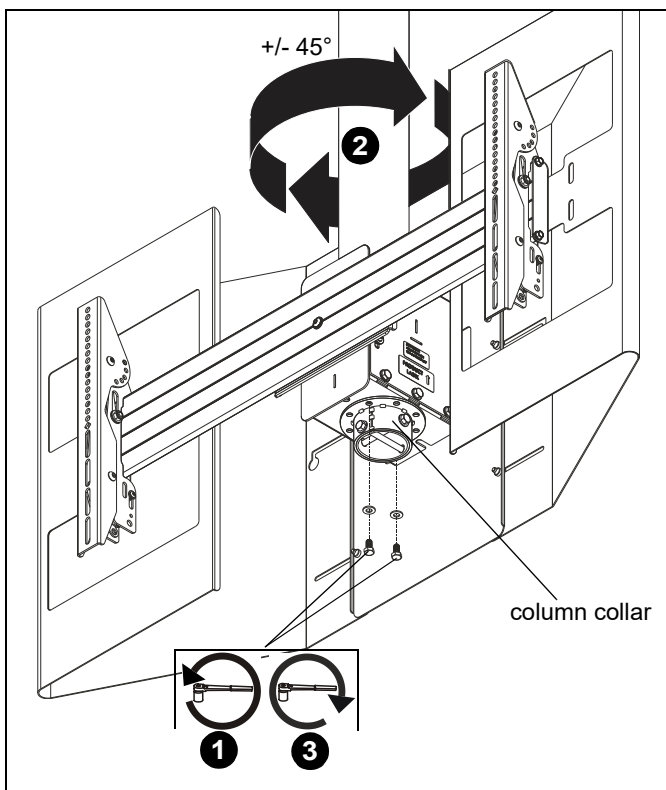


Figure 14

### Tilt



**CAUTION:** Watch for pinch points! Do not place fingers between movable parts.

The interface brackets allow -7.6° to 20° tilt, and can be locked at -7.6°, -5°, 0°, 5°, 10°, 15° and 20° tilt. (See Figure 15)

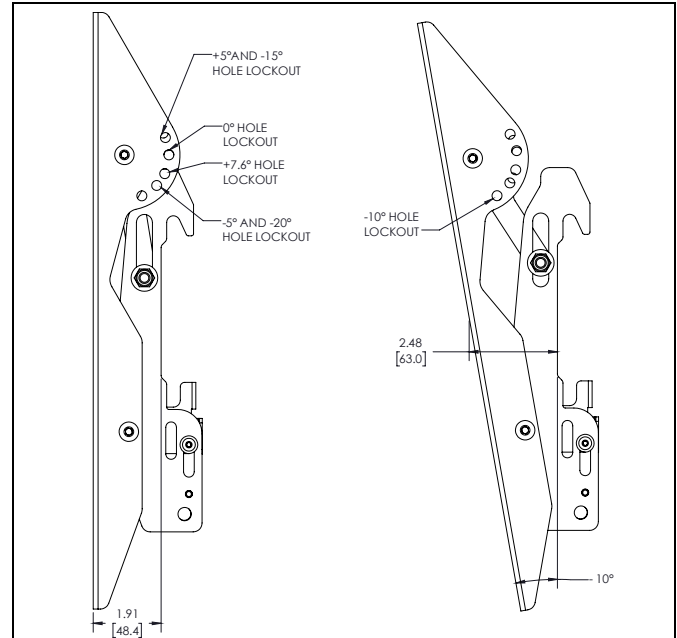


Figure 15

4. If necessary, loosen button head tilt friction bolt (located on side of interface bracket). (See Figure 16)
5. Adjust tilt as required. (See Figure 16)
6. The tilt may be locked at -7.6°, -5°, 0°, 5°, 10°, 15° and 20° using one 1/4-20 x 2" Phillips head screw (N), one 1/4-20 lock nut (Q) and two 1/4" washers (T) per interface bracket. (See Figure 15) and (See Figure 16)

**NOTE:** Use of washers (T) is optional.

7. Tighten button head tilt friction bolt as necessary.

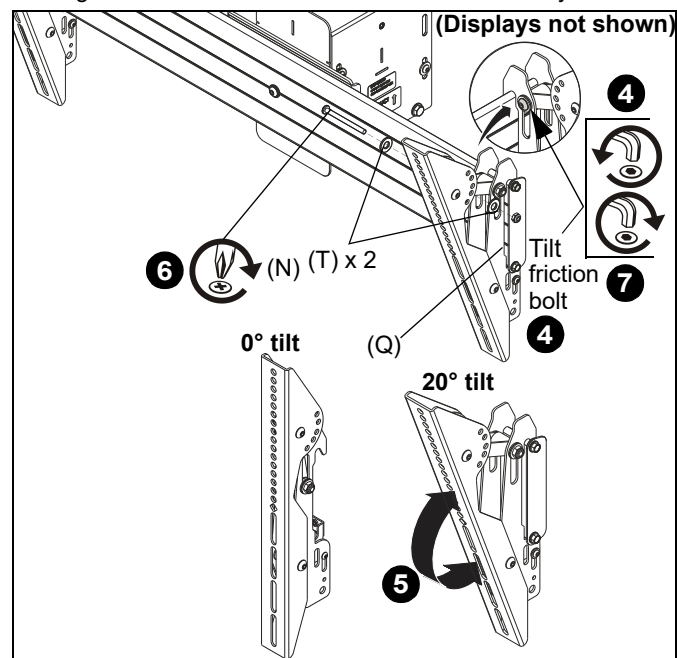


Figure 16

**Roll**

1. Adjust roll adjustment screw to change roll position. The roll may be adjusted 3° in either direction. (See Figure 17)

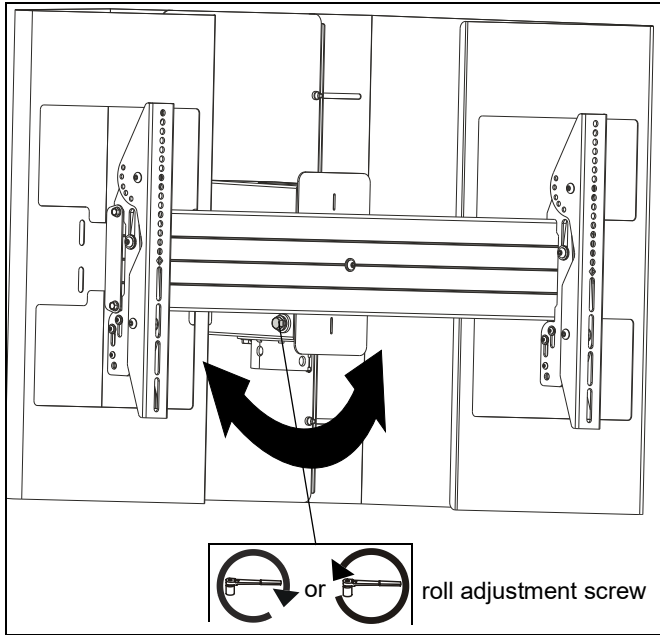


Figure 17

**Latch Lock/Security**

**IMPORTANT !** : In order to prevent interface latch from getting loose due to strong winds, the latch **MUST** be locked either using a padlock or locking bolt (N) and 5/16-18 hex nuts (Q). This is **NOT** optional!

**Using Padlocks (Security)**

1. Add padlock (not included) to each interface bracket to lock latch and to provide security for displays. (See Figure 18)

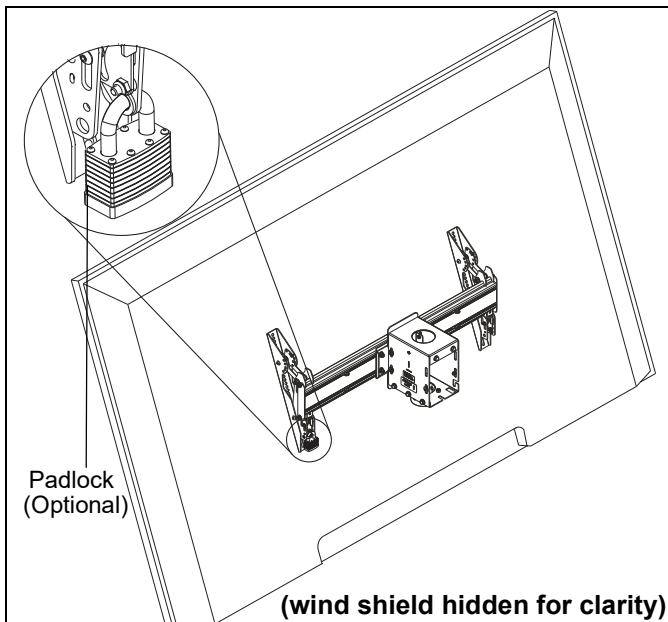


Figure 18

**Using Bolts/Nuts**

**NOTE:** This will keep latch from opening but does not provide additional security for the displays.

1. Use 5/16-18 x 2" hex head carriage bolt (P), 5/16-18 hex nut (R) and two 5/16" washers (S) to lock each interface bracket latch in place. (See Figure 19)

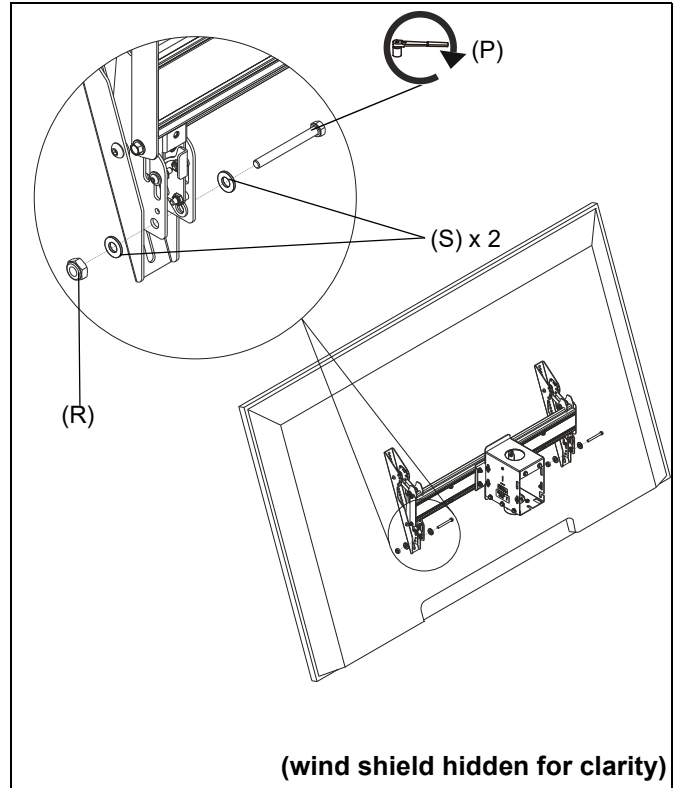


Figure 19



Our Mounts. **Your Vision.**

Chief, a products division of  
Milestone AV Technologies

8800-003020 Rev01  
©2018 Milestone AV Technologies  
[www.milestone.com](http://www.milestone.com)  
12/18

<b>USA/International</b>	<b>A</b> 6436 City West Parkway, Eden Prairie, MN 55344 <b>P</b> 800.582.6480 / 952.225.6000 <b>F</b> 877.894.6918 / 952.894.6918
<b>Europe</b>	<b>A</b> Franklinstraat 14, 6003 DK Weert, Netherlands <b>P</b> +31 (0) 495 580 852 <b>F</b> +31 (0) 495 580 845
<b>Asia Pacific</b>	<b>A</b> Office No. 918 on 9/F, Shatin Galleria 18-24 Shan Mei Street Fotan, Shatin, Hong Kong <b>P</b> 852 2145 4099 <b>F</b> 852 2145 4477

