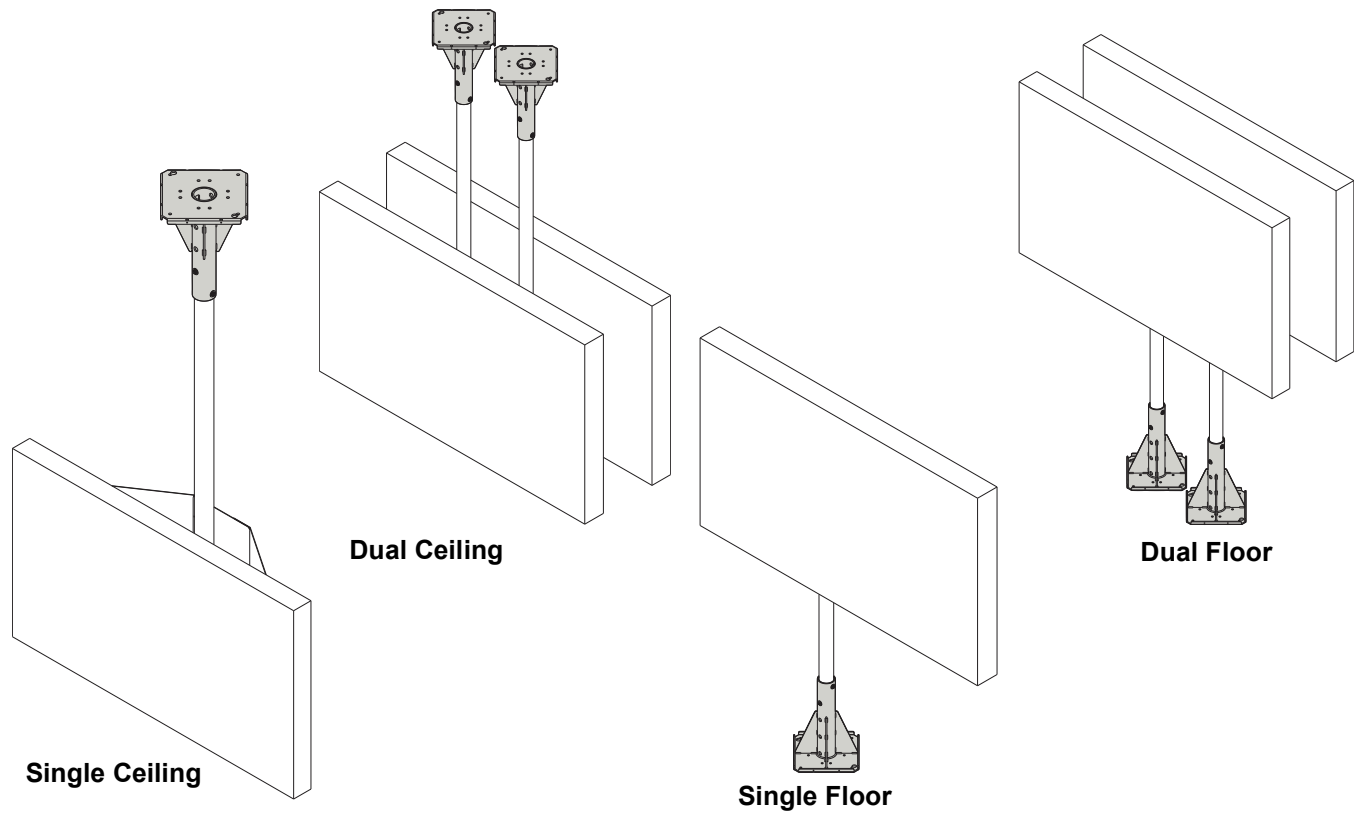

INSTALLATION INSTRUCTIONS



Outdoor Floor/Ceiling Concrete Mount

DISCLAIMER

Milestone AV Technologies and its affiliated corporations and subsidiaries (collectively "Milestone"), intend to make this manual accurate and complete. However, Milestone makes no claim that the information contained herein covers all details, conditions or variations, nor does it provide for every possible contingency in connection with the installation or use of this product. The information contained in this document is subject to change without notice or obligation of any kind. Milestone makes no representation of warranty, expressed or implied, regarding the information contained herein. Milestone assumes no responsibility for accuracy, completeness or sufficiency of the information contained in this document.

Chief® is a registered trademark of Milestone AV Technologies. All rights reserved.


DEFINITIONS


MOUNTING SYSTEM: A MOUNTING SYSTEM is the primary Chief product to which an accessory and/or component is attached.

ACCESSORY: AN ACCESSORY is the secondary Chief product which is attached to a primary Chief product, and may have a component attached or setting on it.


COMPONENT: A COMPONENT is an audiovisual item designed to be attached or resting on an accessory or mounting system such as a video camera, CPU, screen, display, projector, etc.


MOMENT: A MOMENT is a product of force and distance. It is calculated by multiplying the force applied by install drop length. See Dimensions drawings on Page 3 for further details.


 **WARNING:** A WARNING alerts you to the possibility of serious injury or death if you do not follow the instructions.

 **CAUTION:** A CAUTION alerts you to the possibility of damage or destruction of equipment if you do not follow the corresponding instructions.


IMPORTANT SAFETY INSTRUCTIONS

 **WARNING:** Failure to read, thoroughly understand, and follow all instructions can result in serious personal injury, damage to equipment, or voiding of factory warranty! It is the installer's responsibility to make sure all mounting systems are properly assembled and installed using the instructions provided.


 **WARNING:** Failure to provide adequate structural strength for this mounting system can result in serious personal injury or damage to equipment! It is the installer's responsibility to make sure the structure to which this mounting system is attached can support five times the combined weight of all equipment. The structure must also be able to support three times the maximum moment allowed. Reinforce the structure as required before installing the mounting system.

 **WARNING:** Exceeding the weight capacity can result in serious personal injury or damage to equipment! It is the


installer's responsibility to make sure the combined weight of all components attached to the ODA330 mounting system cannot exceed 400 lbs.


 **WARNING:** The weight capacity of the ODA mounting systems may be LIMITED to the lowest weight capacity of any component located between the ODA330 ceiling plate and the flat panel display(s).


NOTE: "Moment" ratings have NOT been evaluated by UL.


 **WARNING:** Exceeding the maximum moment can result in serious personal injury or damage to equipment! It is the installer's responsibility to make sure the ODA330 mounting system does not exceed a moment of 2000 ft-lbs. See table below for specific column specifications.


COLUMN MODEL	Weight capacity	Moment Length (IN) (ML)	Max Design Moment (FT-LBS)
ODAC0203B	300 lbs (136 kg)	23 min - 36 max	2000
ODAC0304B	300 lbs (136 kg)	33 min - 48 max	2000
ODAC0405B	300 lbs (136 kg)	45 min - 60 max	2000
ODAC0506B	300 lbs (136 kg)	57 min - 72 max	2000
ODAC0708B	300 lbs (136 kg)	81 min - 96 max	2000

 **WARNING:** Use this mounting system only for its intended use as described in these instructions. Do not use attachments not recommended by the manufacturer.

 **WARNING:** Never operate this mounting system if it is damaged. Return the mounting system to a service center for examination and repair.

 **WARNING:** Use this mounting system with other outdoor products only.

 **WARNING:** Always use two people or a mechanical lifting device to safely lift and position equipment.

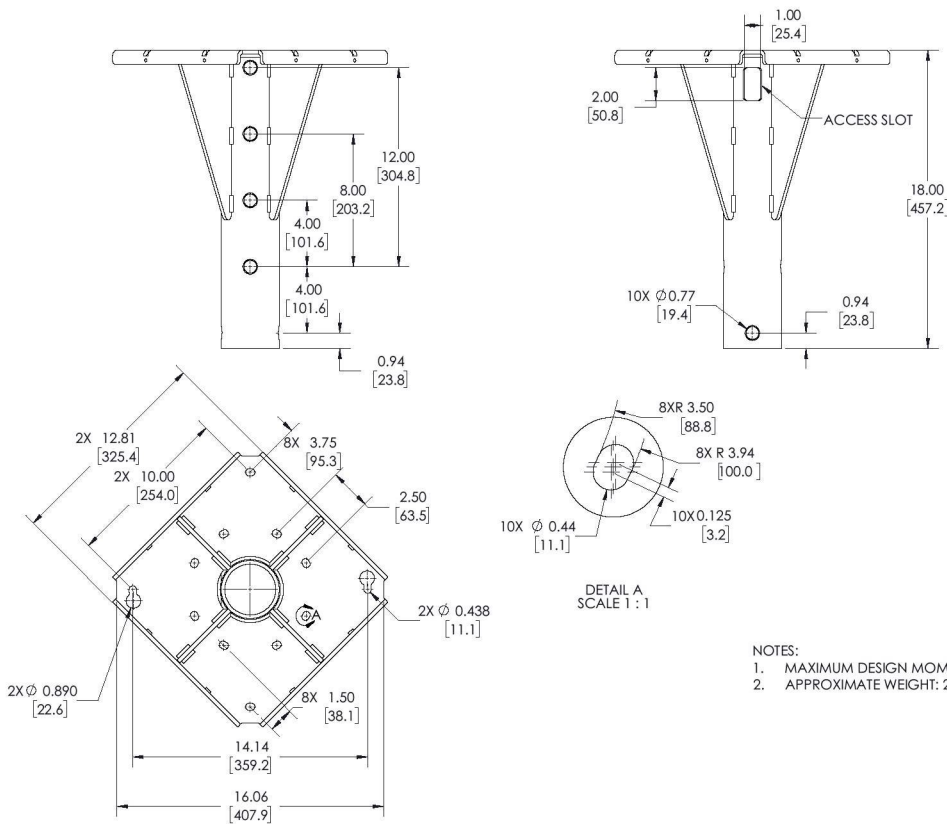
 **WARNING:** Due to exposure to outdoor elements such as strong wind gusts, heavy snow, hail, rain, etc., the mounting system and its supporting structure must be inspected at least once per year and immediately following any major weather event. If evidence of excessive wear, deterioration or any other unsafe condition is observed this product must be taken out of service immediately!

IMPORTANT ! : The ODA330 mounting system is designed to be mounted to a solid concrete floor or ceiling with a minimum depth of 5.5" (140 mm) and a compressive strength of 5000 psi for poured concrete or 6000 psi for pre-cast concrete. The anchors must be embedded a minimum of 2 1/2" for poured concrete or 2 1/4" for pre-cast concrete.

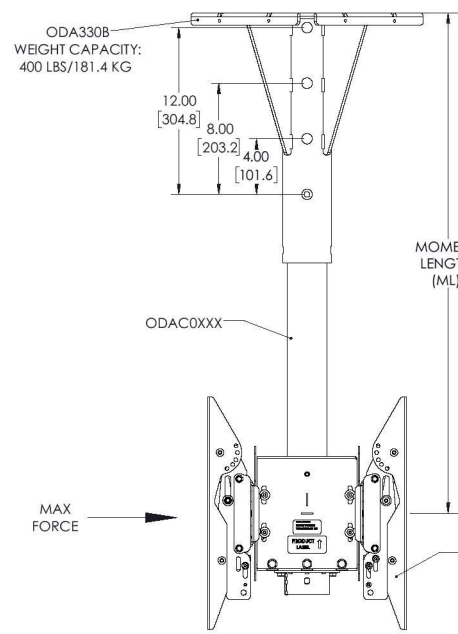
NOTE: The ODA330 floor/ceiling plate is intended to be used with UL Listed ODAC Series columns (not included): ODAC0203, ODAC0304, ODAC0405, ODAC0506, ODAC0708 and UL listed flat panel floor/ceiling mounts (not included): OLCM1U, OXCM1U, OLCM2X1U, OLCB1U, OXCB1U, OLCB2X1U.

--SAVE THESE INSTRUCTIONS--

DIMENSIONS



- NOTES:
 1. MAXIMUM DESIGN MOMENT IS 2,000 FT-LBS*
 2. APPROXIMATE WEIGHT: 29 LBS



MODEL NUMBER	WEIGHT CAPACITY (LBS/KG)	MOMENT LENGTH (IN) (ML)**	MAX DESIGN MOMENT (FT-LBS) (MDM)*
ODAC0203B	300/136	23 (MIN) - 36 (MAX)	2,000
ODAC0304B	300/136	33 (MIN) - 48 (MAX)	2,000
ODAC0405B	300/136	45 (MIN) - 60 (MAX)	2,000
ODAC0506B	300/136	57 (MIN) - 72 (MAX)	2,000
ODAC0708B	300/136	81 (MIN) - 96 (MAX)	2,000

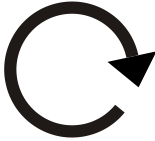

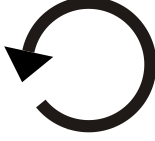


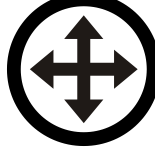






* SEE INSTRUCTION MANUAL
 ** ONE INCH INCREMENTS

$$\text{MAX FORCE} = \frac{\text{MDM}}{\text{ML}} \times 12$$

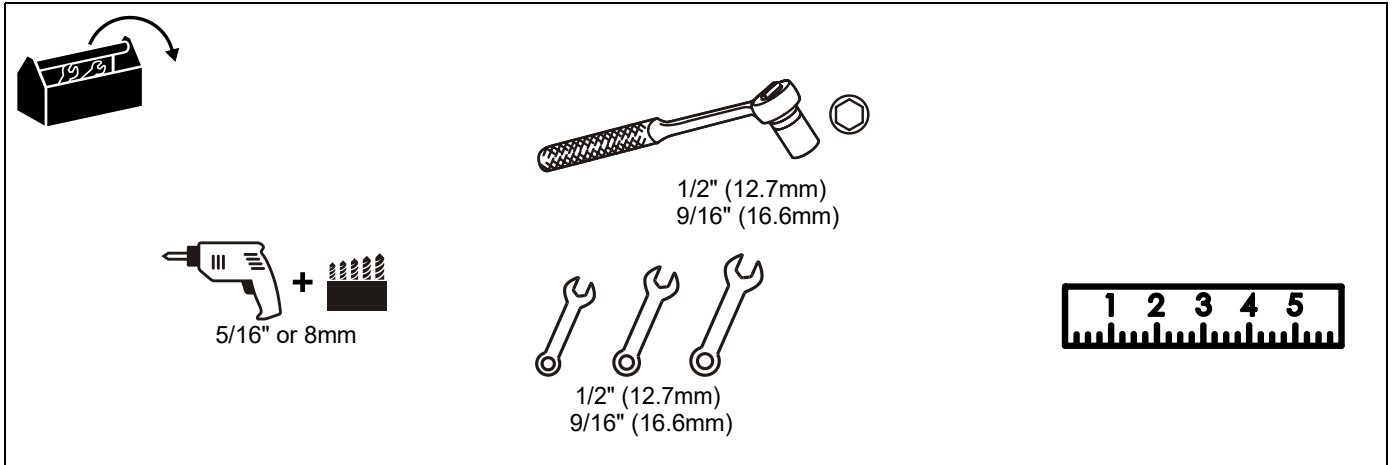
OLCM1U, OXCM1U, OLCM2X1U, OXCB1U
 WEIGHT CAPACITY:
 250 LBS/113.4 KG PER DISPLAY

OLCB1U, OLCB2X1U
 WEIGHT CAPACITY:
 125 LBS/56.7 PER DISPLAY

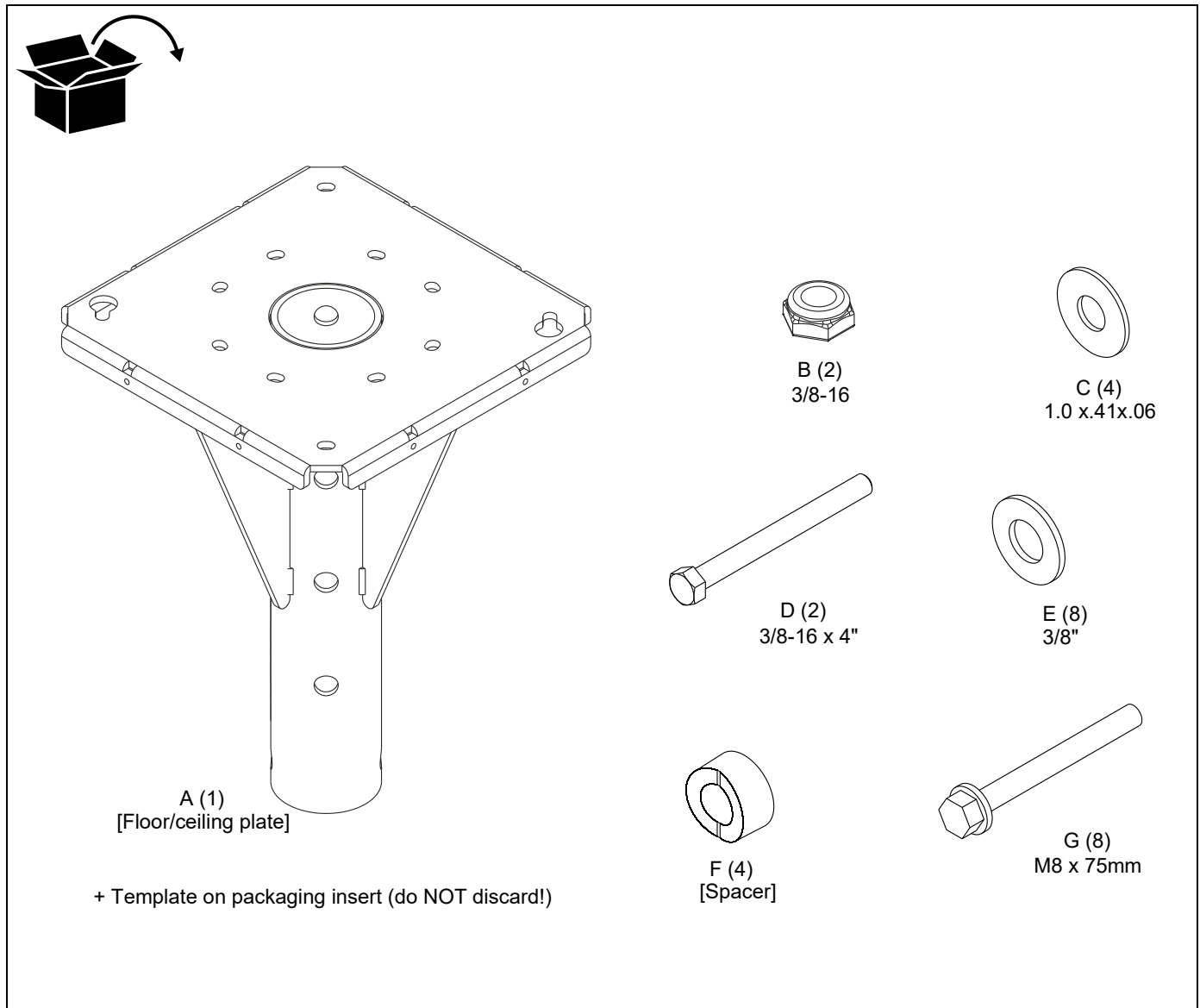
LEGEND

	Tighten Fastener Apretar elemento de fijación Befestigungsteil festziehen Apertar fixador Serrare il fissaggio Bevestiging vastdraaien Serrez les fixations		Pencil Mark Marcar con lápiz Stiftmarkierung Marcar com lápis Segno a matita Potloodmerkteken Marquage au crayon
	Loosen Fastener Aflojar elemento de fijación Befestigungsteil lösen Desapertar fixador Allentare il fissaggio Bevestiging losdraaien Desserrez les fixations		Drill Hole Perforar Bohrloch Fazer furo Praticare un foro Gat boren Percez un trou
	Phillips Screwdriver Destornillador Phillips Kreuzschlitzschraubendreher Chave de fendas Phillips Cacciavite a stella Kruiskopschroevendraaier Tournevis à pointe cruciforme		Adjust Ajustar Einstellen Ajustar Regolare Afstellen Ajuster
	Open-Ended Wrench Llave de boca Gabelschlüssel Chave de bocas Chiave a punte aperte Steeksleutel Clé à fourche		Remove Quitar Entfernen Remover Rimuovere Verwijderen Retirez
	By Hand A mano Von Hand Com a mão A mano Met de hand À la main		Optional Opcional Optional Opcional Opzionale Optie En option
	Hex-Head Wrench Llave de cabeza hexagonal Sechskantschlüssel Chave de cabeça sextavada Chiave esagonale Zeskantsleutel Clé à tête hexagonale		Security Wrench Llave de seguridad Sicherheitsschlüssel Chave de segurança Chiave di sicurezza Veiligheidssleutel Clé de sécurité

TOOLS REQUIRED FOR INSTALLATION



PARTS



Assembly And Installation

1. Install eight 3/8" washers (E) onto eight M8 x 75mm anchors (G). (See Figure 1)

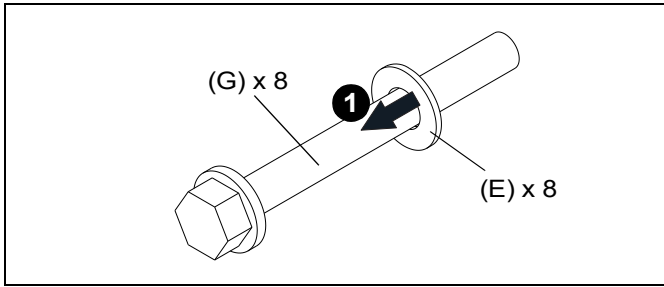


Figure 1

2. Position template (on packaging insert) for floor/ceiling plate (A) on floor or ceiling at desired installation location.

NOTE: If installing a two-plate mount (OLC2X1U/OLCB2X1U/OXCM1U/OXCB1U), refer to dimensions drawings in the installation instructions for that specific configuration to determine distance between two plates.

3. Mark two locations of outside keyhole-shaped holes. (See Figure 2)

IMPORTANT ! : Holes must be drilled in exact locations in order to be properly installed. Make sure hole locations are marked precisely!

4. Drill two 5/16" or 8mm holes with a depth of 2 7/8" at each marked mounting hole location. (See Figure 2)

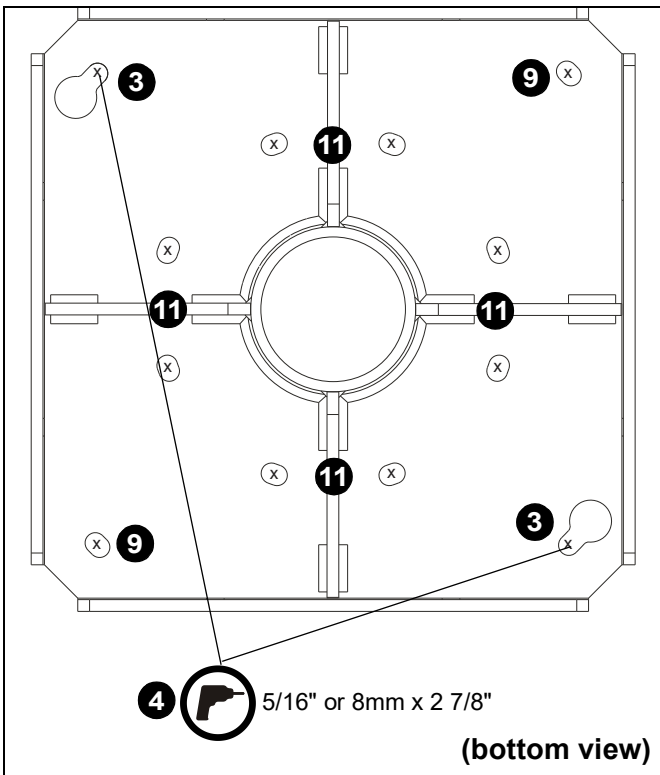


Figure 2

5. Partially install two M8 x 75mm concrete anchors (G) into two drilled on opposite corners. (See Figure 3)



WARNING: Floor/Ceiling plate (A) weighs nearly 30 lbs (13.6 kg). Use two people to install floor/ceiling plate to ceiling. One person holds floor/ceiling plate in position while the other person drills holes.

6. Lift floor/ceiling plate (A) up to M8 x 75m concrete anchors (G), placing the two key-sized holes over the anchors. (See Figure 3)
7. Turn floor/ceiling plate (A) so that anchors (G) are positioned in small section of key-sized holes. (See Figure 3)

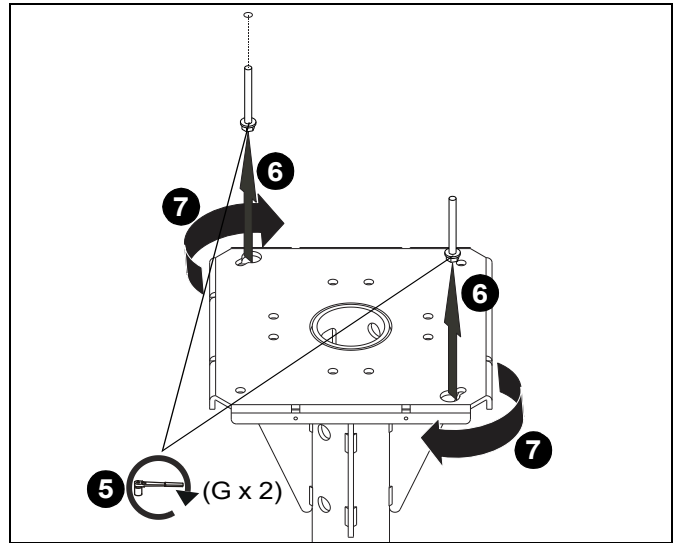


Figure 3

8. Tighten two anchors (G). (See Figure 4)
9. Mark and drill two 5/16" or 8mm holes with a depth of 2 7/8" for two remaining outside holes. (See Figure 2)
10. Install two M8 x 75mm concrete anchors (G) through outside holes and into drilled holes. (See Figure 4)

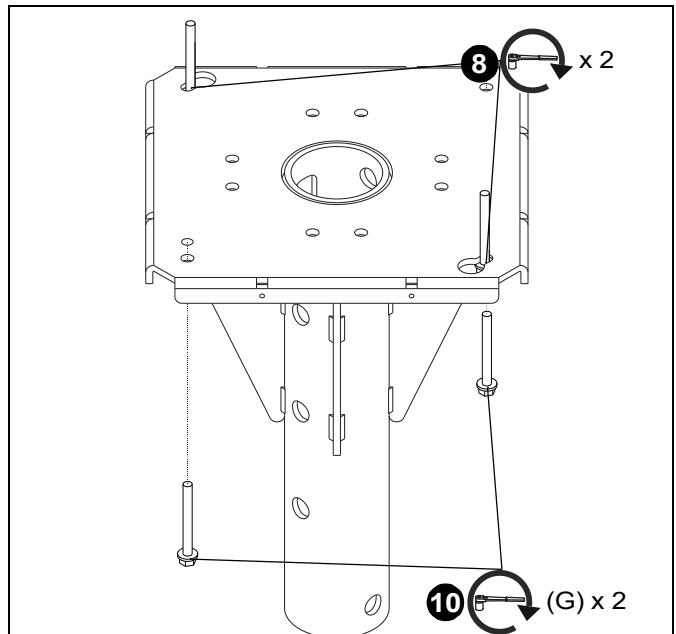


Figure 4

11. Mark and drill four 5/16" or 8mm holes with a depth of 2 7/8" in four of eight inside holes where remaining anchors will be installed making sure the following rules are followed. (See Figure 2) and (See Figure 5)

- ONE hole must be used adjacent to each of the FOUR gussets.
- A total of TWO holes must be used for each HALF of the plate.

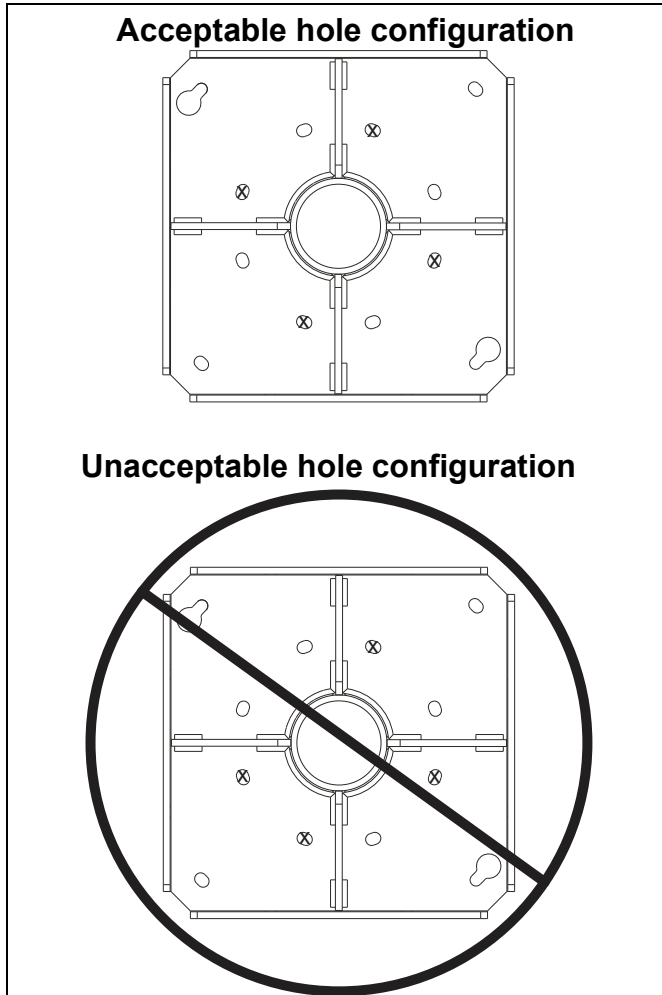


Figure 5

12. Install four M8 x 75mm concrete anchors through four inside holes drilled in Step 11. (See Figure 6)

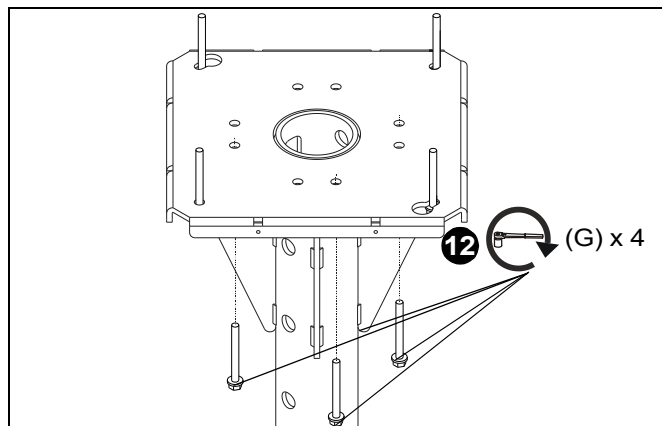


Figure 6

13. Insert pipe (not included) in to attach assembly (A) until holes align for installation. (See Figure 7)

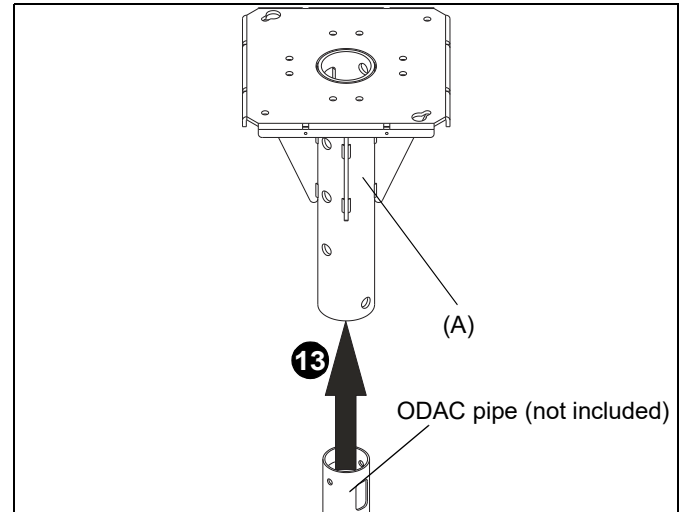


Figure 7

14. Use two 3/8-16 x 4" hex head bolts (D), four washers (C), four spacers (F) and two 3/8-16 hex nuts (B). (See Figure 8)

IMPORTANT ! : Make sure spacers (F) are properly oriented to fit around pipe with the lines vertical.

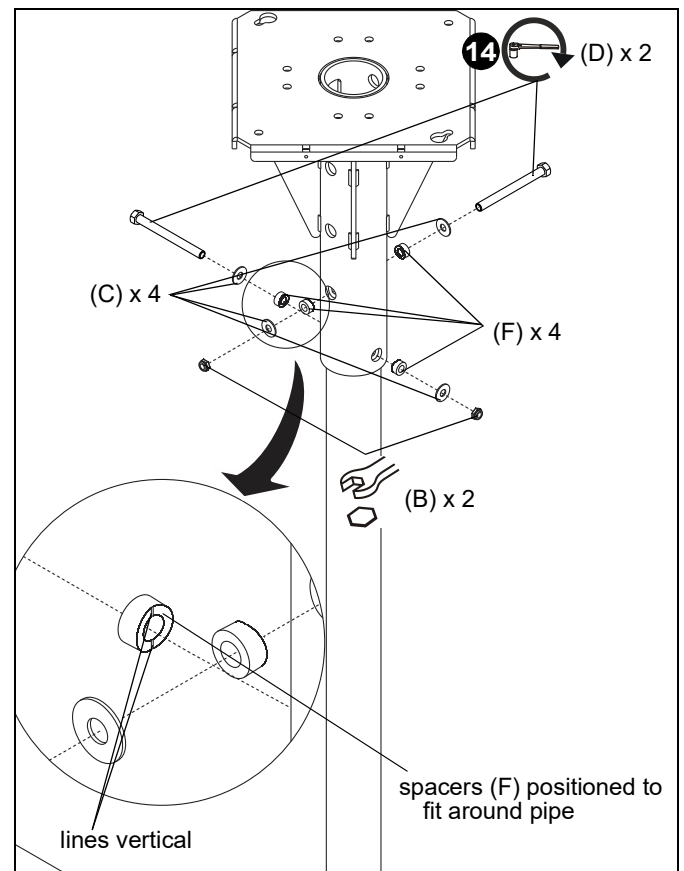


Figure 8



Our Mounts. **Your Vision.**

Chief, a products division of
Milestone AV Technologies

8800-003018 Rev00
©2018 Milestone AV Technologies
www.milestone.com
07/18

USA/International	A 6436 City West Parkway, Eden Prairie, MN 55344 P 800.582.6480 / 952.225.6000 F 877.894.6918 / 952.894.6918
Europe	A Franklinstraat 14, 6003 DK Weert, Netherlands P +31 (0) 495 580 852 F +31 (0) 495 580 845
Asia Pacific	A Office No. 918 on 9/F, Shatin Galleria 18-24 Shan Mei Street Fotan, Shatin, Hong Kong P 852 2145 4099 F 852 2145 4477

