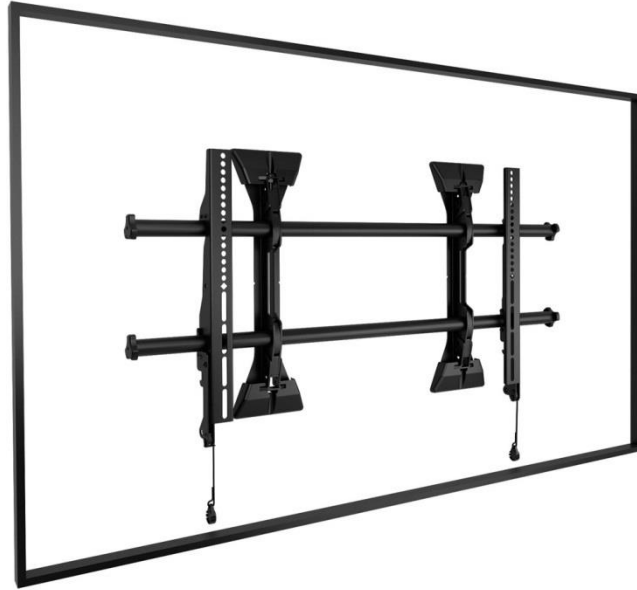




Large Fusion Micro-Adjustable Fixed Wall Display Mount



Model: LSM1U

Chief Manufacturing LSM1U Large Fusion Micro-Adjustable Fixed Wall Display Mount includes features like Centerless shift, ControlZone leveling adjustment and ClickConnect Latching. New benefits included added stability, faster install, improved lateral shift, easier cable management and enhanced security. Installer-inspired Fusion fixed mount solves top flat panel installation problems, offering flexible adjustments for large displays with a low-profile display mounting solution.

- Integrated teardrop design speeds up wall plate installation by allowing pre-installation of the bolts to the wall
- ControlZone Leveling for post-installation fine tuning of height and leveling
- Centerless Shift provides up to 17.4" (441 mm) of post-installation lateral shift for limitless centering
- Set screws keep the mount rigid, stable and secure throughout the life of the installation
- ClickConnect offers an audible click when the screen safely engages with the mount
- Built-in cable stand provides easy access under the screen
- Multiple installation options for various stud distances
- Exclusive nesting spacers can be stacked to achieve any depth
- Quick-Store Cords use magnets to easily store and access pull cords
- Ships with a custom hardware kit that can be hung from mount rails if installing in stages
- UL Listed; 200 lbs. weight capacity

Product Dimensions: 2"L x 34.75"W x 18.25"H

Product Weight: 18 lbs.