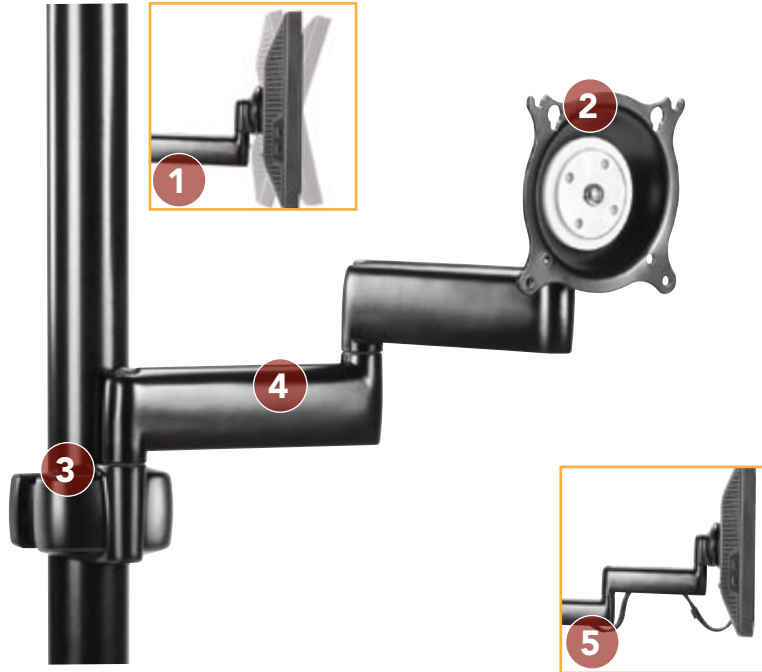




# POLE MONITOR MOUNTS KPD110™ □ DUAL ARM



## FEATURES

- CENTRIS™ TECHNOLOGY**  
**PATENTED FEATURE**  
Provides smooth fingertip tilt in all directions using the screen's center of gravity. Screen angle stays set until you decide to re-adjust.
- ADVANCED DISPLAY MOUNTING**  
Teardrop hole pattern makes mounting the screen quick and easy.
- FLEXIBLE INSTALLATION**  
Allows installation on pre-existing poles. Ships fully assembled.
- ULTIMATE FLEXIBILITY**  
Maximum range of motion from low profile to full extension.
- CABLE MANAGEMENT**  
Easily route cables through predefined pathway inside arms.

## WHAT YOU NEED TO KNOW

### OTHER PRODUCT OPTIONS



**KPS110**  
Single Swing Arm Pole Mount



**KPP110**  
Pivot/Tilt Pole Mount

## SPECIFICATIONS

Depth from Pole	2.13" (56 mm)
Max. Extension	15.94" (404 mm)
Tilt	±15°
Weight Capacity	40 lbs (18.2 kg)
Pole Outer Diameter Range	1.5-2" (38 - 51 mm)
Colors	Black, Silver

## RECOMMENDED ACCESSORIES



**KSA1003** ■ Extension Arm  
– Maximum of 3 arms

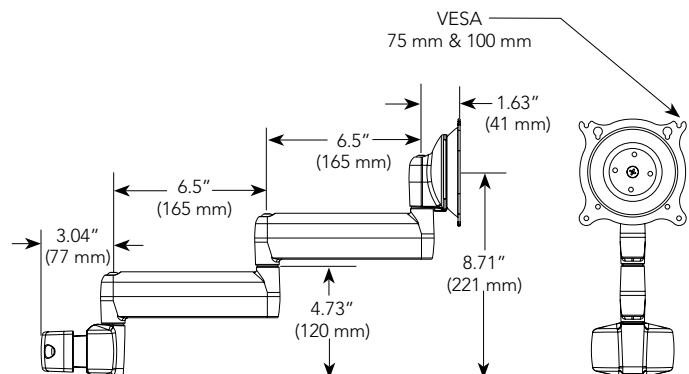


**KSA1006** ■ Extreme Pitch Accessory



**KSA1007** ■ Centris Quick Release Interface

## TECHNICAL DRAWINGS



For a complete list of monitor mount accessories see page 108.