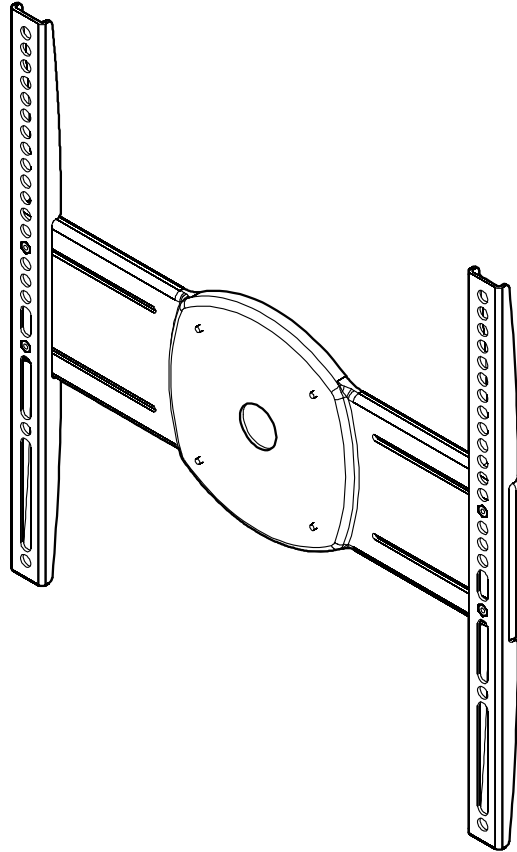

INSTALLATION INSTRUCTIONS



Universal Interface Bracket

DISCLAIMER

Milestone AV Technologies and its affiliated corporations and subsidiaries (collectively "Milestone"), intend to make this manual accurate and complete. However, Milestone makes no claim that the information contained herein covers all details, conditions or variations, nor does it provide for every possible contingency in connection with the installation or use of this product. The information contained in this document is subject to change without notice or obligation of any kind. Milestone makes no representation of warranty, expressed or implied, regarding the information contained herein. Milestone assumes no responsibility for accuracy, completeness or sufficiency of the information contained in this document.

Chief® is a trademark of Milestone AV Technologies, Inc. All rights reserved.

! IMPORTANT WARNINGS AND CAUTIONS!

! WARNING: A WARNING alerts you to the possibility of serious injury or death if you do not follow the instructions.

! CAUTION: A CAUTION alerts you to the possibility of damage or destruction of equipment if you do not follow the corresponding instructions.

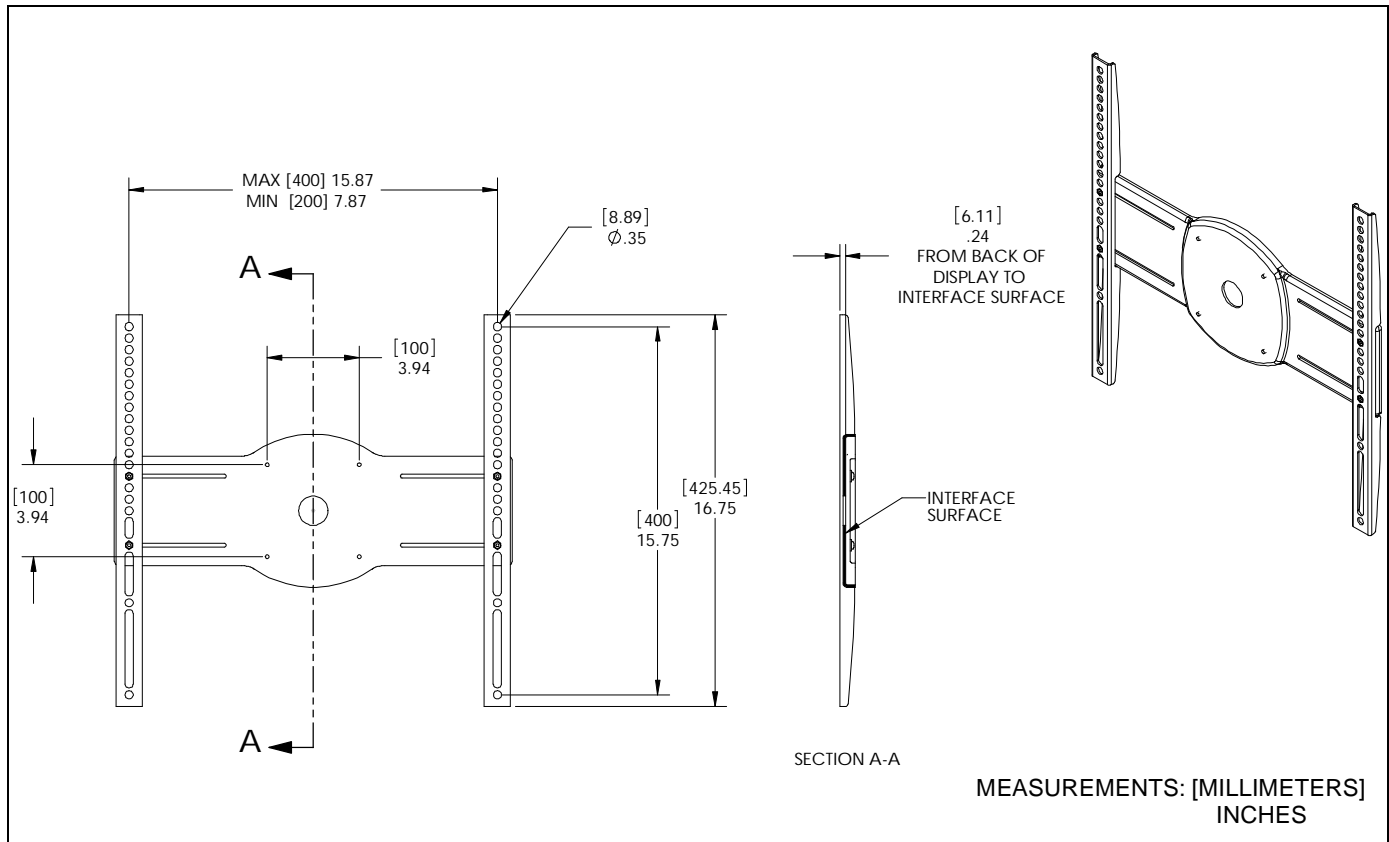
! WARNING: Failure to read, thoroughly understand, and follow all instructions can result in serious personal injury, damage to equipment, or voiding of factory warranty! It is the installer's responsibility to make sure all components are properly assembled and installed using the instructions provided.

! WARNING: Failure to provide adequate structural strength for this component can result in serious personal injury or damage to equipment! It is the installer's responsibility to make sure the structure to which this component is attached can support five times the combined weight of all equipment. Reinforce the structure as required before installing the component.

! WARNING: Exceeding the weight capacity can result in serious personal injury or damage to equipment! It is the installer's responsibility to make sure the combined weight of the mount and all attached components does not exceed 75 lbs (34.02 kg).

NOTE: The JSBU is for use ONLY with J-Series mounts.

DIMENSIONS



LEGEND

| | |
|----------------------|------------------------------|
| | Tighten Fastener |
| | Apretar elemento de fijación |
| | Befestigungsteil festziehen |
| | Apertar fixador |
| | Serrare il fissaggio |
| | Bevestiging vastdraaien |
| Serrez les fixations | |

| | |
|-------------------------|------------------------------|
| | Loosen Fastener |
| | Aflojar elemento de fijación |
| | Befestigungsteil lösen |
| | Desapertar fixador |
| | Allentare il fissaggio |
| | Bevestiging losdraaien |
| Desserrez les fixations | |

| | |
|-------------------------------|-----------------------------|
| | Phillips Screwdriver |
| | Destornillador Phillips |
| | Kreuzschlitzschraubendreher |
| | Chave de fendas Phillips |
| | Cacciavite a stella |
| | Kruiskopschroevendraaier |
| Tournevis à pointe cruciforme | |

| | |
|---------------|--------------------------|
| | Open-Ended Wrench |
| | Llave de boca |
| | Gabelschlüssel |
| | Chave de bocas |
| | Chiave a punte aperte |
| | Steeksleutel |
| Clé à fourche | |

| | |
|-----------|----------------|
| | By Hand |
| | A mano |
| | Von Hand |
| | Com a mão |
| | A mano |
| | Met de hand |
| À la main | |

| | |
|-----------------------|---------------------------|
| | Hex-Head Wrench |
| | Llave de cabeza hexagonal |
| | Sechskantschlüssel |
| | Chave de cabeça sextavada |
| | Chiave esagonale |
| | Zeskantsleutel |
| Clé à tête hexagonale | |

| | |
|--------------------|--------------------|
| | Pencil Mark |
| | Marcar con lápiz |
| | Stiftmarkierung |
| | Marcar com lápis |
| | Segno a matita |
| | Potloodmerkteken |
| Marquage au crayon | |

| | |
|----------------|-------------------|
| | Drill Hole |
| | Perforar |
| | Bohrloch |
| | Fazer furo |
| | Praticare un foro |
| | Gat boren |
| Percez un trou | |

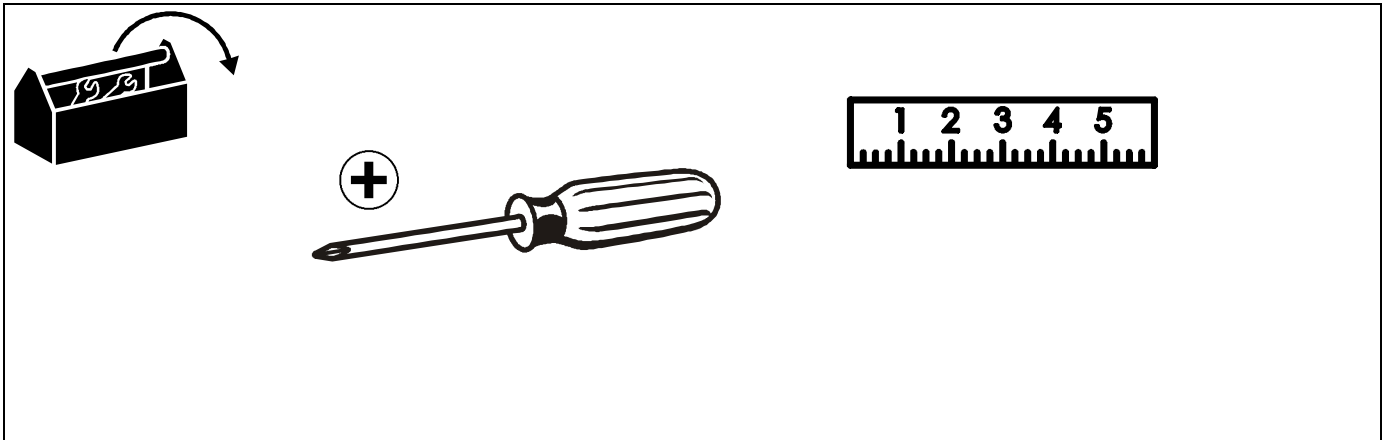
| | |
|---------|---------------|
| | Adjust |
| | Ajustar |
| | Einstellen |
| | Ajustar |
| | Regolare |
| | Afstellen |
| Ajuster | |

| | |
|---------|---------------|
| | Remove |
| | Quitar |
| | Entfernen |
| | Remover |
| | Rimuovere |
| | Verwijderen |
| Retirez | |

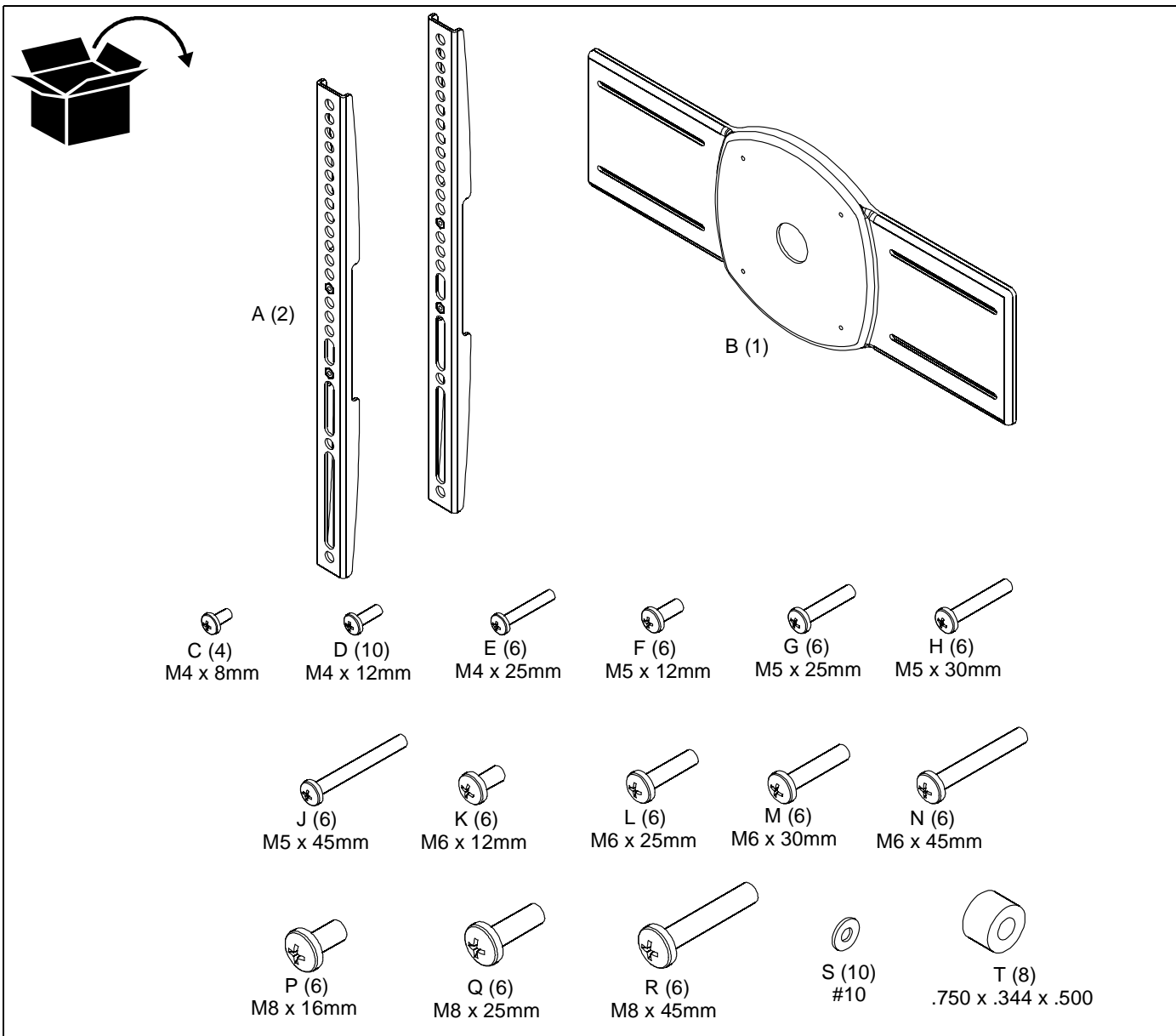
| | |
|-----------|-----------------|
| | Optional |
| | Opcional |
| | Optional |
| | Opcional |
| | Opzionale |
| | Optie |
| En option | |

| | |
|-----------------|------------------------|
| | Security Wrench |
| | Llave de seguridad |
| | Sicherheitsschlüssel |
| | Chave de segurança |
| | Chiave di sicurezza |
| | Veiligheidssleutel |
| Clé de sécurité | |

TOOLS REQUIRED FOR INSTALLATION



PARTS



INSTALLATION



WARNING: IMPROPER INSTALLATION CAN LEAD TO MOUNT FALLING CAUSING SERIOUS PERSONAL INJURY OR DAMAGE TO EQUIPMENT! DO NOT substitute hardware. Only use hardware provided or specified by manufacturer.

1. Determine and mark the vertical center position between the left side upper and lower mounting holes in display. (See Figure 1)

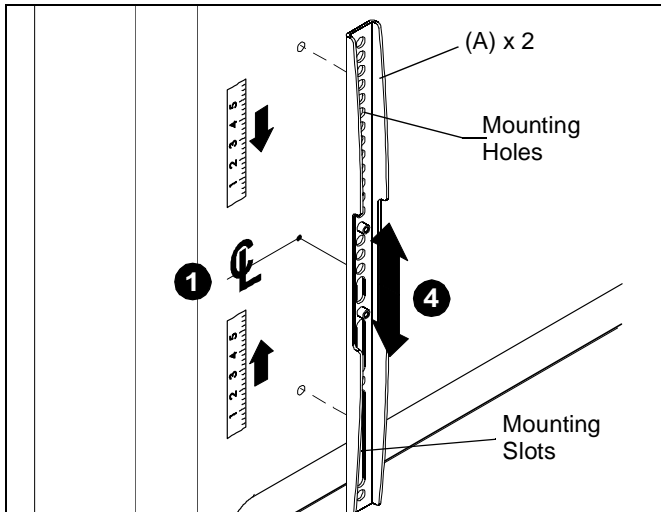


Figure 1

2. Determine and mark the vertical center position between the right side upper and lower mounting holes in display. (See Figure 1)
3. Orient vertical mounting bracket (A) so that mounting holes are on top and mounting slots are on bottom. (See Figure 1)
4. Align mounting holes and slots in vertical mounting bracket (A) with upper and lower mounting holes in display.
5. Adjust vertical mounting bracket (A) position until mark made in Step 1 aligns with center mark in vertical mounting bracket (A).
6. Secure left side vertical mounting bracket (A) to display using two Phillips pan head screws (D through R). (See Figure 2)

NOTE: Also use #10 flat washers (S) if using screws D or E.

NOTE: If the display has a recessed mounting surface, protrusions or a power box, a spacer and longer mounting hardware must be placed between the display and vertical mounting brackets (A). (See Figure 2)

7. Repeat Steps 3 through 6 for right side vertical mounting bracket using the same hole locations to align brackets horizontally.

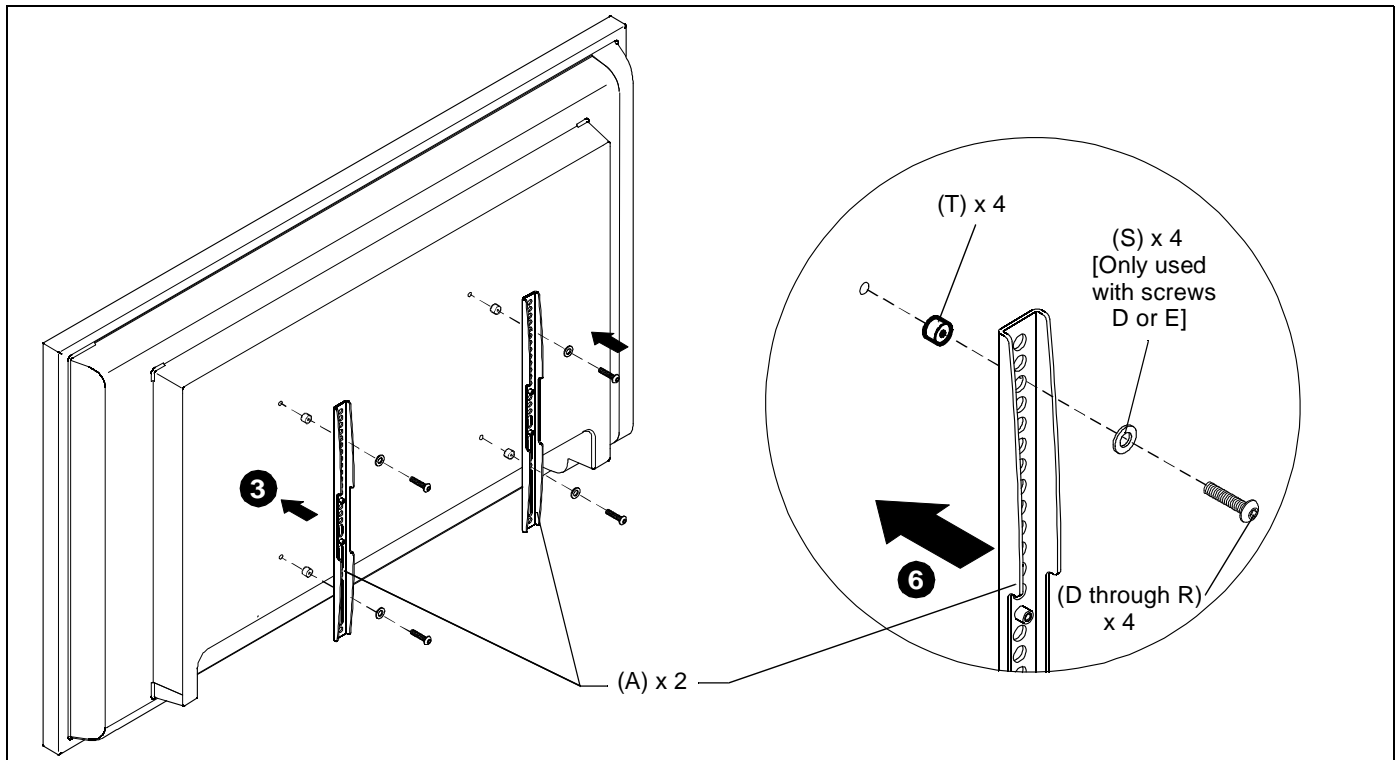


Figure 2

8. Attach center bracket (B) to vertical mounting brackets (A) using four M4 x 12mm Phillips head screws (D) and four #10 flat washers (S). (See Figure 3)

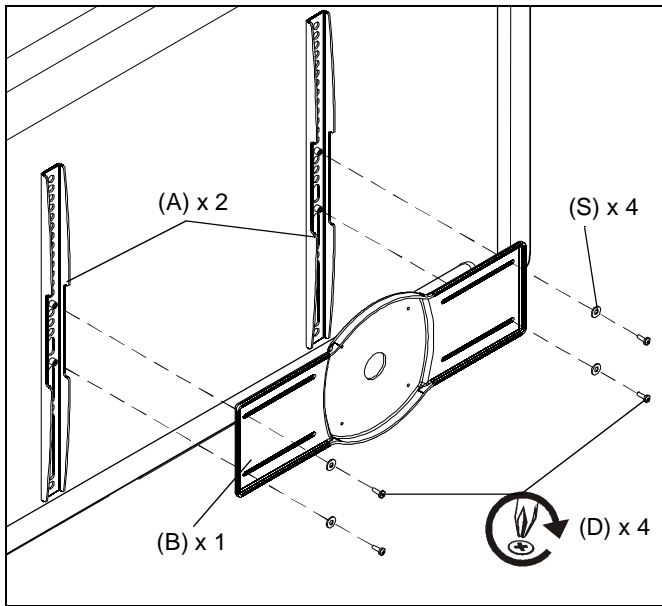


Figure 3

9. Attach J-Series mount to JSBU using two M4 x 8mm Phillips head cap screws (C) in the upper two mounting holes. (See Figure 4)
10. Complete attachment of J-Series mount using two M4 x 8mm Phillips head cap screws (C) in the lower two mounting holes. (See Figure 4)
11. Complete installation following the J-Series mount installation instructions.

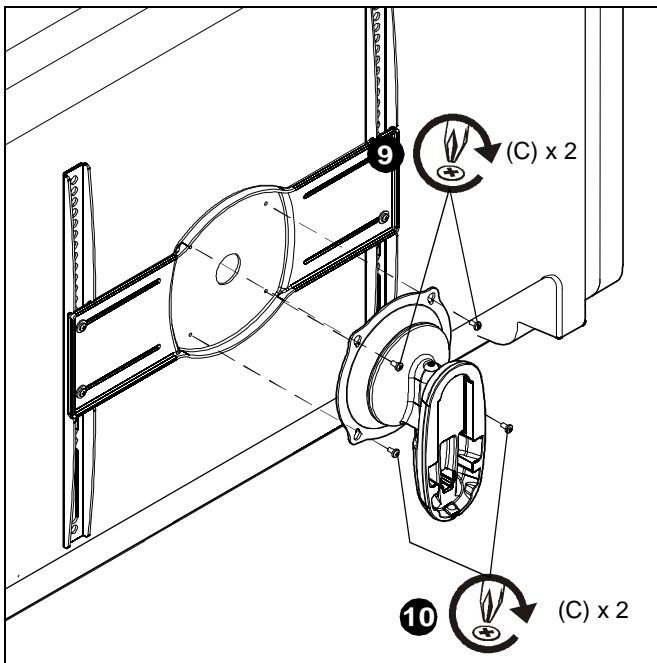


Figure 4



Our Mounts. **Your Vision.**

Chief Manufacturing, a products
division of Milestone AV Technologies

8800-002043 Rev00
©2009 Milestone AV Technologies, a
Duchossois Group Company
www.chiefmfg.com
11/09

| | |
|--------------------------|---|
| USA/International | A 8401 Eagle Creek Parkway, Savage, MN 55378 P 800.582.6480 / 952.894.6280 F 877.894.6918 / 952.894.6918 |
| Europe | A Fellenoord 130 5611 ZB EINDHOVEN, The Netherlands P +31 (0)40 2668620 F +31 (0)40 2668615 |
| Asia Pacific | A Office No. 1 on 12/F, Shatin Galleria 18-24 Shan Mei Street Fotan, Shatin, Hong Kong P 852 2145 4099 F 852 2145 4477 |

