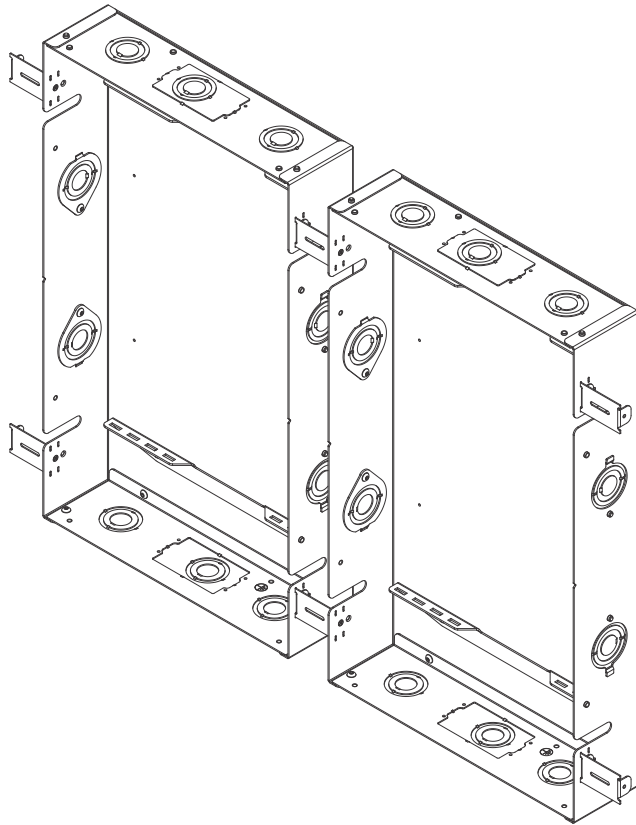

INSTALLATION INSTRUCTIONS



Tempo™ Flat Panel In-Wall Box and Stud Tabs Kit

CHIEF®

A brand of  **legrand**

FPIWMKIT1

Patent Pending

DISCLAIMER

Legrand | AV and its affiliated corporations and subsidiaries (collectively “Legrand | AV”), intend to make this manual accurate and complete. However, Legrand | AV makes no claim that the information contained herein covers all details, conditions or variations, nor does it provide for every possible contingency in connection with the installation or use of this product. The information contained in this document is subject to change without notice or obligation of any kind. Legrand | AV makes no representation of warranty, expressed or implied, regarding the information contained herein. Legrand | AV assumes no responsibility for accuracy, completeness or sufficiency of the information contained in this document.

Chief® is a registered trademark of Legrand AV Inc.

DEFINITIONS

MOUNTING SYSTEM: A MOUNTING SYSTEM is the primary Chief product to which an accessory and/or component is attached.

ACCESSORY: AN ACCESSORY is the secondary Chief product which is attached to a primary Chief product, and may have a component attached or setting on it.

COMPONENT: A COMPONENT is an audiovisual item designed to be attached or resting on an accessory or mounting system such as a video camera, CPU, screen, display, projector, etc.

WARNING: A WARNING alerts you to the possibility of serious injury or death if you do not follow the instructions.

CAUTION: A CAUTION alerts you to the possibility of damage or destruction of equipment if you do not follow the corresponding instructions.

IMPORTANT SAFETY INSTRUCTIONS

WARNING: Failure to read, thoroughly understand, and follow all instructions can result in serious personal injury, damage to equipment, or voiding of factory warranty! It is the installer’s responsibility to make sure all mounting systems are properly assembled and installed using the instructions provided.

WARNING: Failure to provide adequate structural strength for this mounting system can result in serious personal injury or damage to equipment! It is the installer’s responsibility to make sure the structure to which this mounting system is attached can support five times the combined weight of all equipment. Reinforce the structure as required before installing the mounting system. The wall to which the mounting system is being attached may have a maximum drywall thickness of 1 1/4” (3.2cm). Do not install drywall anchors into the seam between drywall pieces.

WARNING: Exceeding the weight capacity can result in serious personal injury or damage to equipment! It is the installer’s responsibility to make sure the combined weight of all components attached to mounting system does not exceed 200 lbs (90.7 kg) if installing to 25 gage steel studs or 250 lbs (113.4 kg) if installing to 20 gage structural steel studs.

WARNING: Use this mounting system only for its intended use as described in these instructions. Do not use attachments not recommended by the manufacturer.

WARNING: Never operate this mounting system if it is damaged. Return the mounting system to a service center for examination and repair.

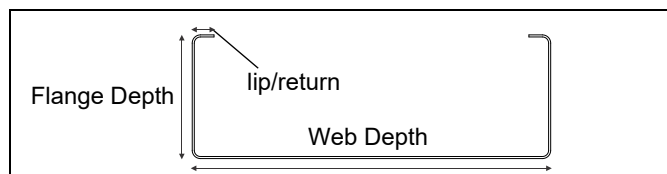
WARNING: Do not use this mounting system outdoors.

WARNING: Do not install this mounting system in a firewall.

IMPORTANT ! : The FPIWMKIT1 mounting system is designed to be mounted to a 20 ga or 25 ga minimum steel stud wall covered with drywall having a maximum thickness of 1 1/4” and minimum of 1/2”.

NOTE: See Table and graphic below for information on minimum stud specifications.

Rated Capacity	Stud Material	Web Depth	Flange Depth	Lip/Return
200 lbs (90.7 kg)	25 ga	3.62" Minimum	1.25" (min.) 1.65" (max.)	0.22" (Min.)
250 lbs (113.4 kg)	20 ga structural	3.62" Minimum	1.62"	0.5" (Min.)



NOTE: Stud type and structural strength must conform to the North American Specification for the design of Cold-Formed Steel Structural Members. [362 S 125 18 OR 362 S 162 33, C-Shaped, S-stud Section]

IMPORTANT ! : The FPIWMKIT1 mounting system is intended for use with the UL-listed FPIWMKIT2 Flange-Mount Storage Kit (not included).

IMPORTANT ! : The FPIWMKIT1 mounting system may accommodate up to four UL-listed electrical box accessories (not included).

IMPORTANT ! : If installing an electrical box, follow all instructions included with the UL-listed electrical box.

NOTES:

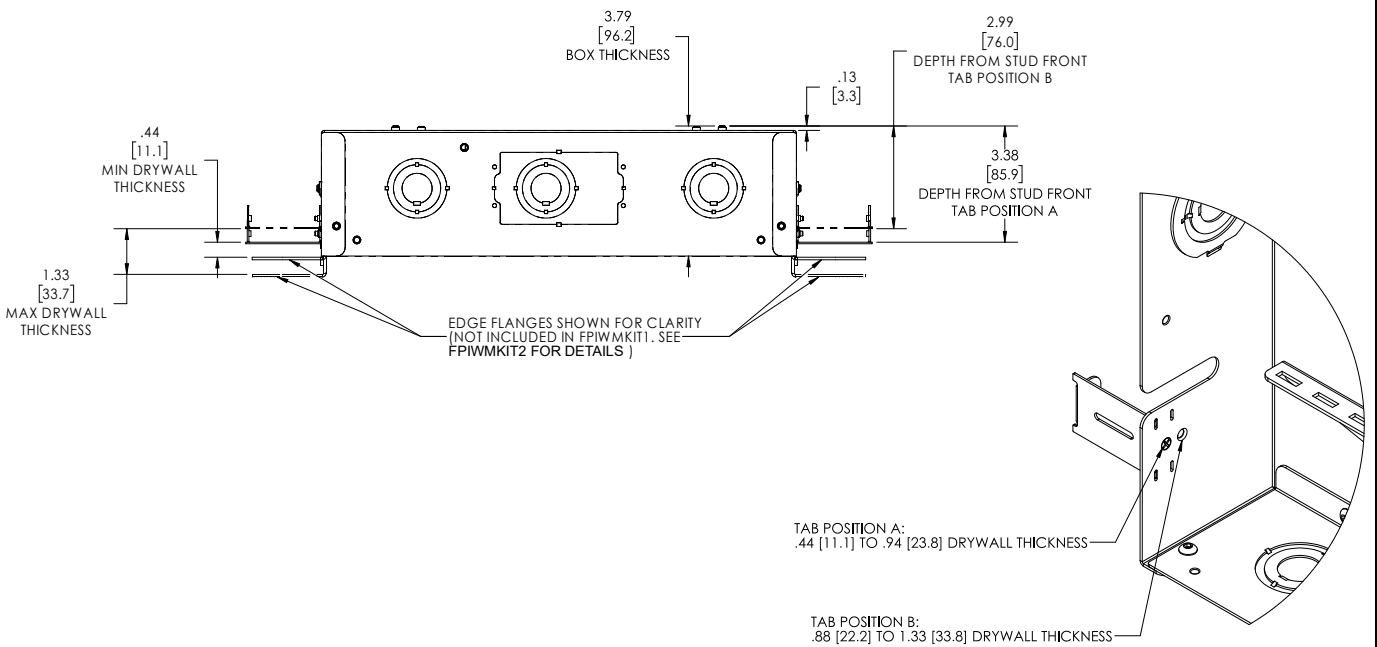
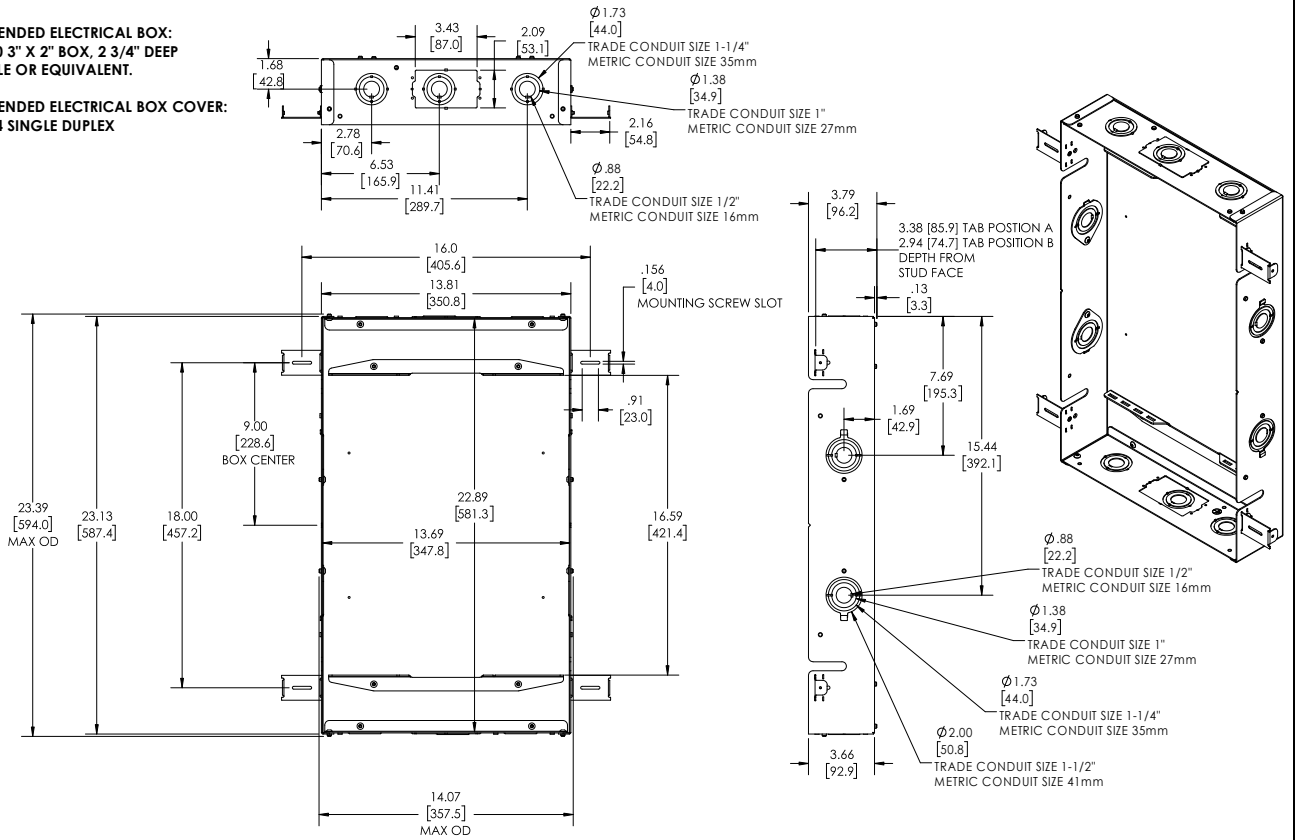
- It is the installer's responsibility to ensure that the enclosure is bonded to the ground in the switch box, in accordance with the National Electric Code, ANSI/NFPA 70 or Canadian Electrical Code, CSA C22.1. A green grounding screw is provided in the enclosure for the purpose, if required.
- The equipment shall be installed and assembled by qualified service personnel.
- Spacings - To ensure safe operation of the equipment installed in the enclosure, per National Electric Code ANSI/NFPA 70, a minimum separation between power cords and signal or communication cables may be required.

--SAVE THESE INSTRUCTIONS--

DIMENSIONS

**RECOMMENDED ELECTRICAL BOX:
RACO 560 3" X 2" BOX, 2 3/4" DEEP
GANGABLE OR EQUIVALENT.**

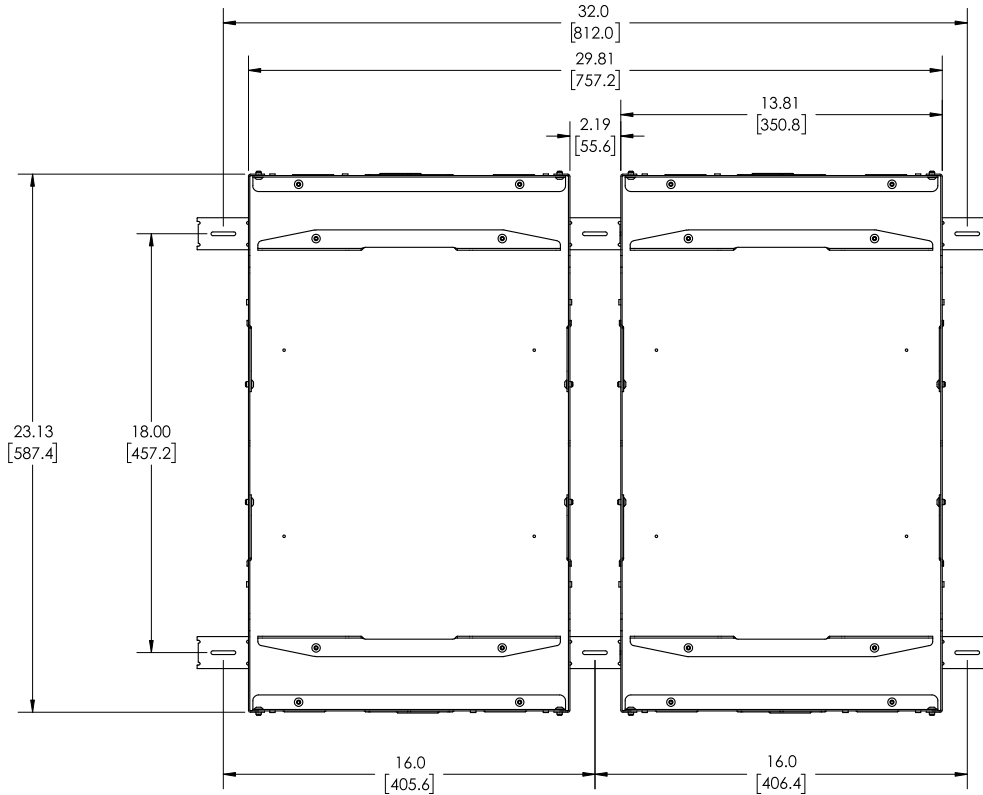
**RECOMMENDED ELECTRICAL BOX COVER:
RACO 864 SINGLE DUPLEX**



**DIMENSIONS: INCHES
[MILLIMETERS]**

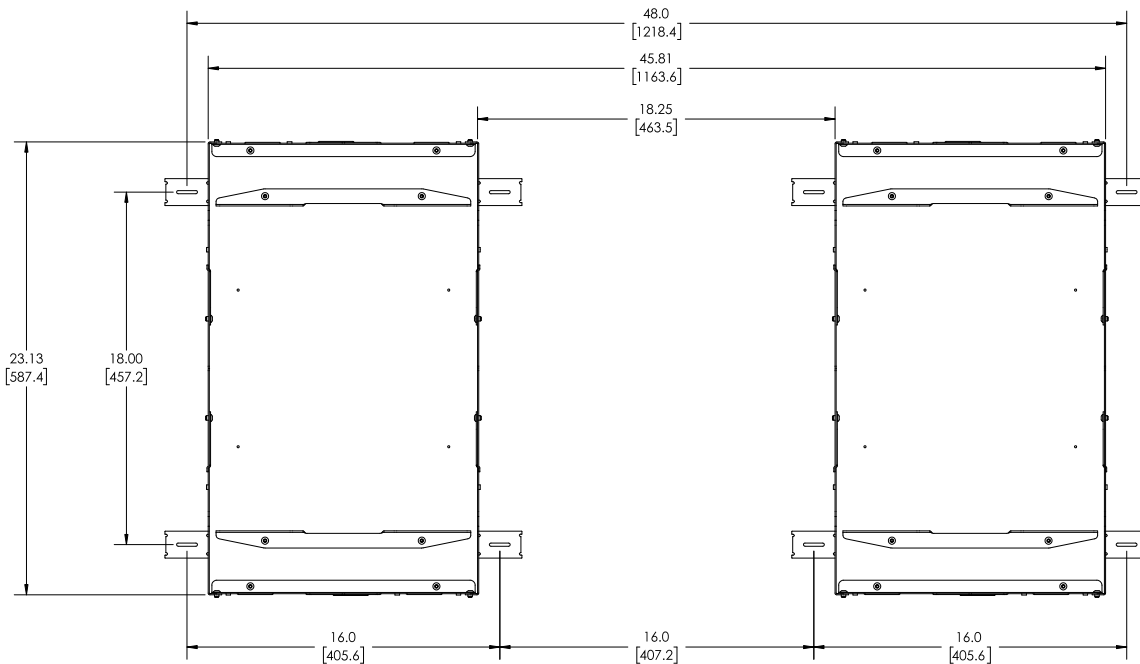
DIMENSIONS (CONTINUED)

**CONNECTED BOX CONFIGURATION:
200MM MINIMUM DISPLAY PATTERN
700MM MAXIMUM DISPLAY PATTERN**



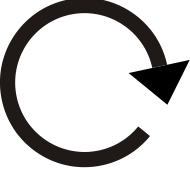

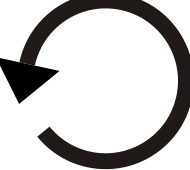



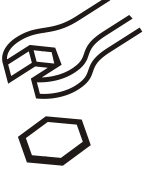





**SPLIT BOX CONFIGURATION:
500MM MINIMUM DISPLAY PATTERN
1100MM MAXIMUM DISPLAY PATTERN**

NOTE:
BOXES CAN BE SPREAD ADDITIONAL STUD BAYS APART TO ACCOMMODATE LARGER DISPLAY MOUNTING PATTERNS.
TWO BAY SPLIT INSTALL: 925mm MIN AND 1500mm MAX DISPLAY MOUNTING PATTERN WIDTH.
THREE BAY SPLIT INSTALL: 1325mm MIN AND 1900mm MAX DISPLAY MOUNTING PATTERN WIDTH.

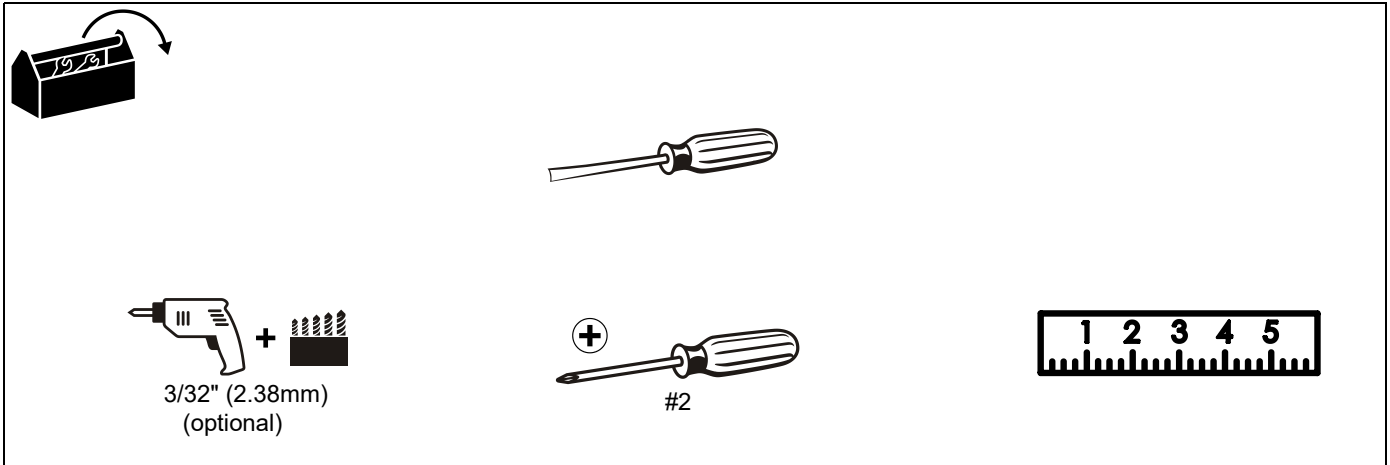


DIMENSIONS: INCHES
[MILLIMETERS]

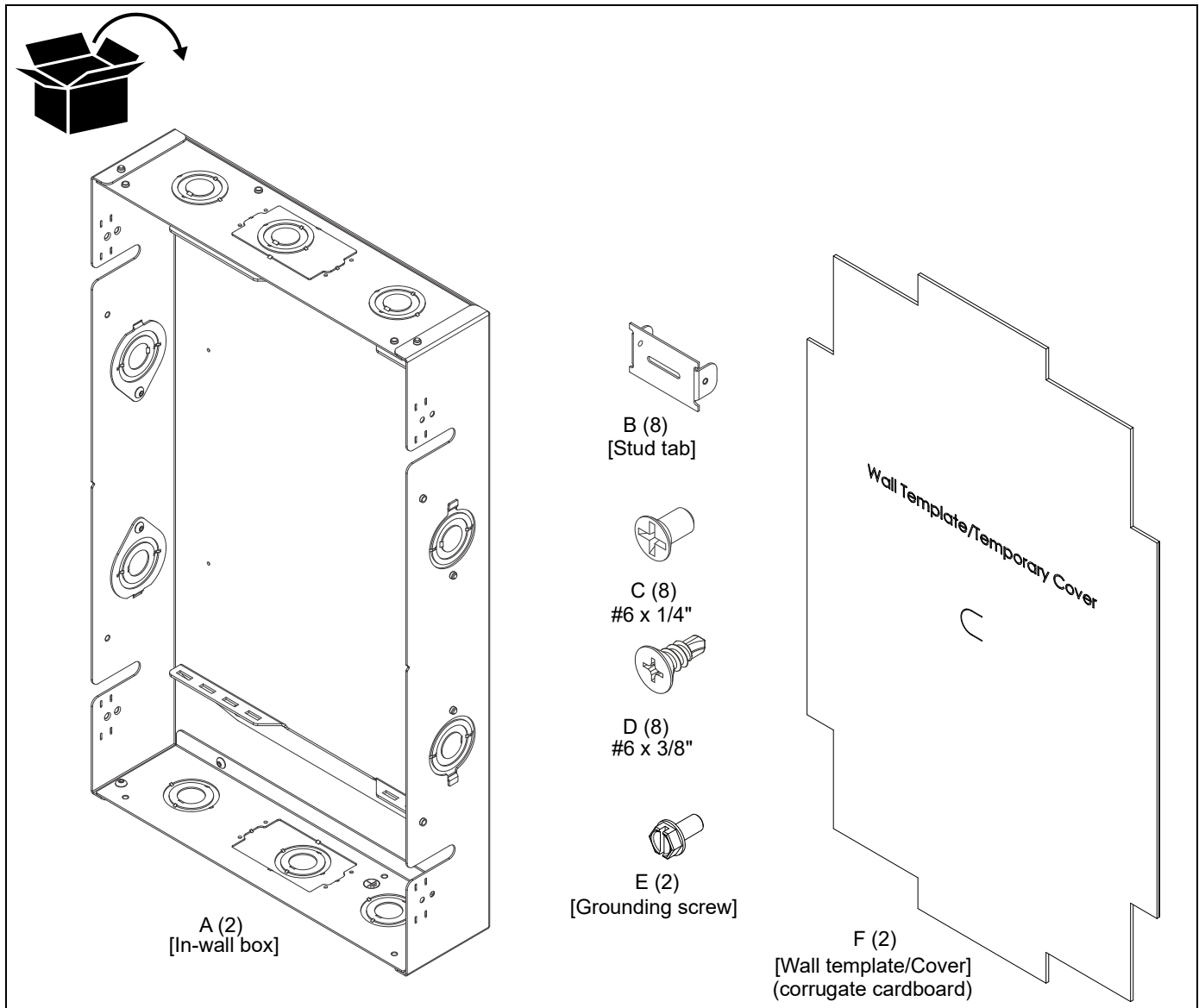
LEGEND

	<p>Tighten Fastener</p> <p>Apretar elemento de fijación</p> <p>Befestigungsteil festziehen</p> <p>Apertar fixador</p> <p>Serrare il fissaggio</p> <p>Bevestiging vastdraaien</p> <p>Serrez les fixations</p>		<p>Pencil Mark</p> <p>Marcar con lápiz</p> <p>Stiftmarkierung</p> <p>Marcar com lápis</p> <p>Segno a matita</p> <p>Potloodmerkten</p> <p>Marquage au crayon</p>
	<p>Loosen Fastener</p> <p>Aflojar elemento de fijación</p> <p>Befestigungsteil lösen</p> <p>Desapertar fixador</p> <p>Allentare il fissaggio</p> <p>Bevestiging losdraaien</p> <p>Desserrez les fixations</p>		<p>Drill Hole</p> <p>Perforar</p> <p>Bohrloch</p> <p>Fazer furo</p> <p>Praticare un foro</p> <p>Gat boren</p> <p>Percez un trou</p>
	<p>Phillips Screwdriver</p> <p>Destornillador Phillips</p> <p>Kreuzschlitzschraubendreher</p> <p>Chave de fendas Phillips</p> <p>Cacciavite a stella</p> <p>Kruiskopschroevendraaier</p> <p>Tournevis à pointe cruciforme</p>		<p>Adjust</p> <p>Ajustar</p> <p>Einstellen</p> <p>Ajustar</p> <p>Regolare</p> <p>Afstellen</p> <p>Ajuster</p>
	<p>Open-Ended Wrench</p> <p>Llave de boca</p> <p>Gabelschlüssel</p> <p>Chave de bocas</p> <p>Chiave a punte aperte</p> <p>Steeksleutel</p> <p>Clé à fourche</p>		<p>Remove</p> <p>Quitar</p> <p>Entfernen</p> <p>Remover</p> <p>Rimuovere</p> <p>Verwijderen</p> <p>Retirez</p>
	<p>By Hand</p> <p>A mano</p> <p>Von Hand</p> <p>Com a mão</p> <p>A mano</p> <p>Met de hand</p> <p>À la main</p>		<p>Optional</p> <p>Opcional</p> <p>Optional</p> <p>Opcional</p> <p>Opzionale</p> <p>Optie</p> <p>En option</p>
	<p>Hex-Head Wrench</p> <p>Llave de cabeza hexagonal</p> <p>Sechskantschlüssel</p> <p>Chave de cabeça sextavada</p> <p>Chiave esagonale</p> <p>Zeskantsleutel</p> <p>Clé à tête hexagonale</p>		<p>Security Wrench</p> <p>Llave de seguridad</p> <p>Sicherheitsschlüssel</p> <p>Chave de segurança</p> <p>Chiave di sicurezza</p> <p>Veiligheidsleutel</p> <p>Clé de sécurité</p>

TOOLS REQUIRED FOR INSTALLATION



PARTS



Installation - New Construction

NOTE: If installing into existing wall with drywall already installed, proceed to FPIWMKIT2 Installation Instructions - **Installation to Existing Construction Section.**

WARNING: IMPROPER INSTALLATION CAN RESULT IN DEATH OR SERIOUS PERSONAL INJURY! This mounting system should be installed by qualified personnel.

1. Determine mounting location.

NOTE: In-wall boxes (A) may be installed to three consecutive 16" studs or split up with a stud bay in between the boxes. Displays with a mounting pattern between 200mm-700mm may be mounted with no gap and displays with a mounting pattern between 500mm-1100mm may be mounted with stud bay gap. (See Figure 1)

NOTE: For extra large display mounting patterns more than one stud bay may be split. Two bays may be skipped for mounting patterns between 925mm-1500mm. Three bays may be skipped for mounting patterns between 1325mm-1900mm.

NOTE: See Table on page 2 for information on minimum stud specifications.

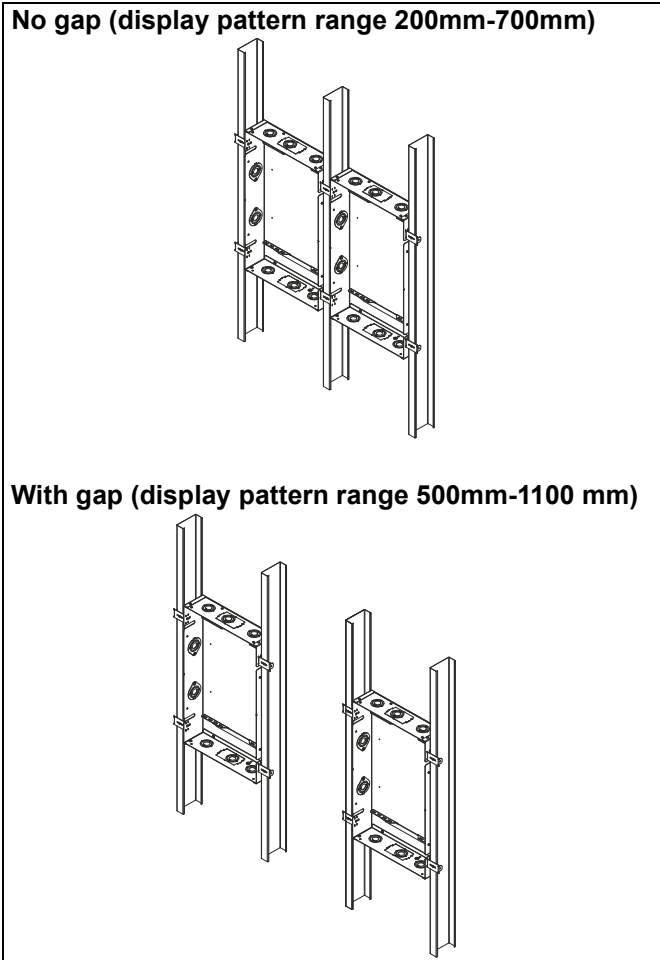


Figure 1

WARNING: ELECTRICAL SHOCK HAZARD! CUTTING OR DRILLING INTO ELECTRICAL WIRES OR CABLES CAN CAUSE DEATH OR SERIOUS PERSONAL INJURY! ALWAYS make certain area behind mounting surfaces is free of electrical wires and cables before cutting, drilling, or installing fasteners.

WARNING: EXPLOSION AND FIRE HAZARD! CUTTING OR DRILLING INTO GAS PLUMBING CAN CAUSE DEATH OR SERIOUS PERSONAL INJURY! ALWAYS make certain area behind mounting surfaces is free of gas, water, waste, or any other plumbing before cutting, drilling, or installing fasteners.

IMPORTANT ! : Consult a qualified building contractor to follow all applicable building codes!

2. Use four #6 x 1/4" Phillips flathead screws (C) to secure four stud tabs (B) to first in-wall box (A) to be installed to studs. (See Figure 2)

IMPORTANT ! : Tab position to use will depend on the thickness of the drywall to be installed. (See Figure 3)

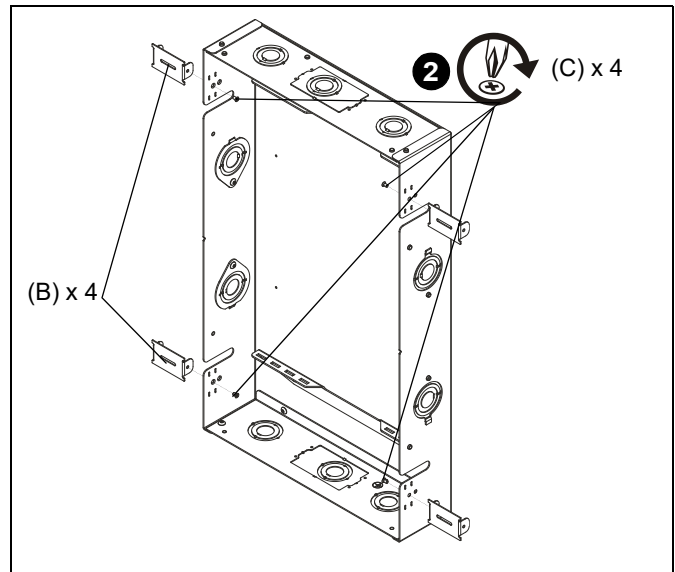


Figure 2

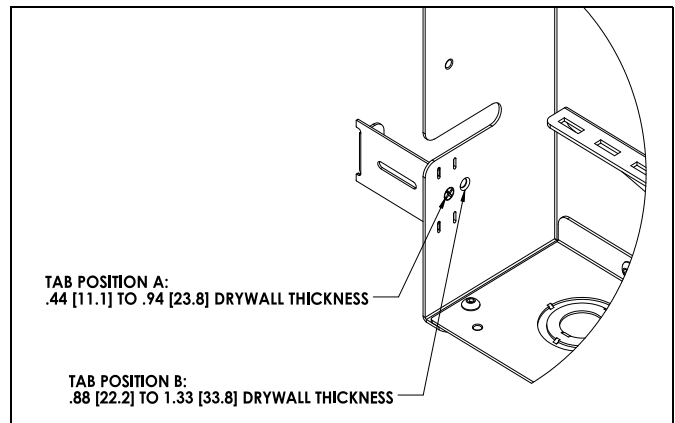


Figure 3

- Use four #6 x 3/8" Phillips tapping screws (D) to secure four stud tabs (B) to studs at desired mounting height for first in-wall box (A). (See Figure 4)

NOTE: Four 3/32" pilot holes may be drilled into studs prior to installation of screws if desired. (See Figure 4)

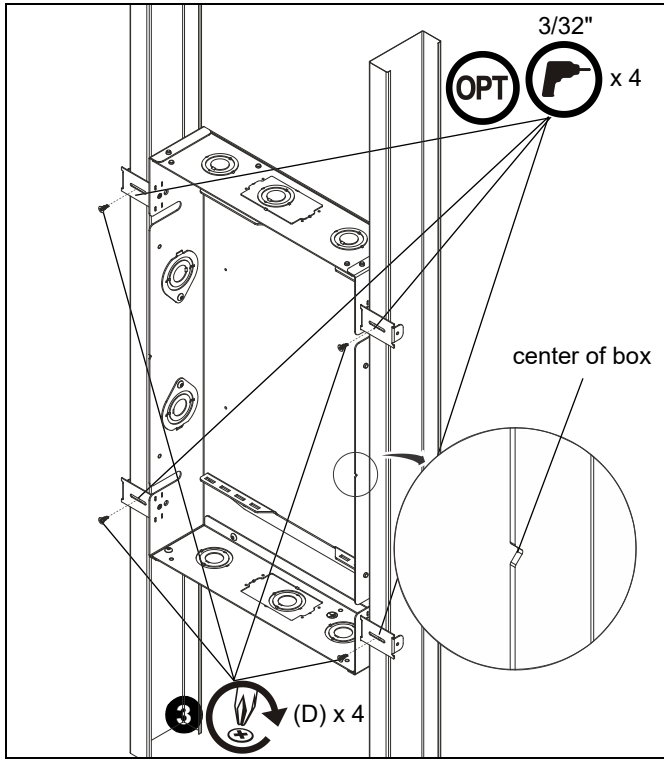


Figure 4

- If installing with a gap, repeat Steps 2-3 for second box (A) and to secure to studs. (See Figure 5)

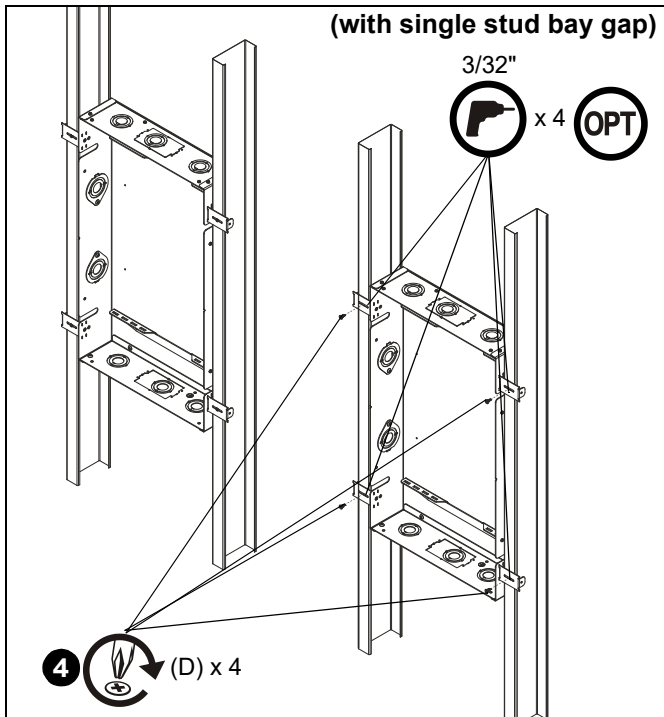


Figure 5

- If mounting with no gap, position second box (A) level with first box. (See Figure 6)
- Use four #6 x 1/4" Phillips flathead screws (C) to secure box to four stub tabs (B). (See Figure 6)
- Use two #6 x 3/8" Phillips tapping screws (D) to secure two stud tabs (B) to studs. (See Figure 6)

NOTE: Two 3/32" pilot holes may be drilled into studs prior to installation of screws if desired. (See Figure 6)

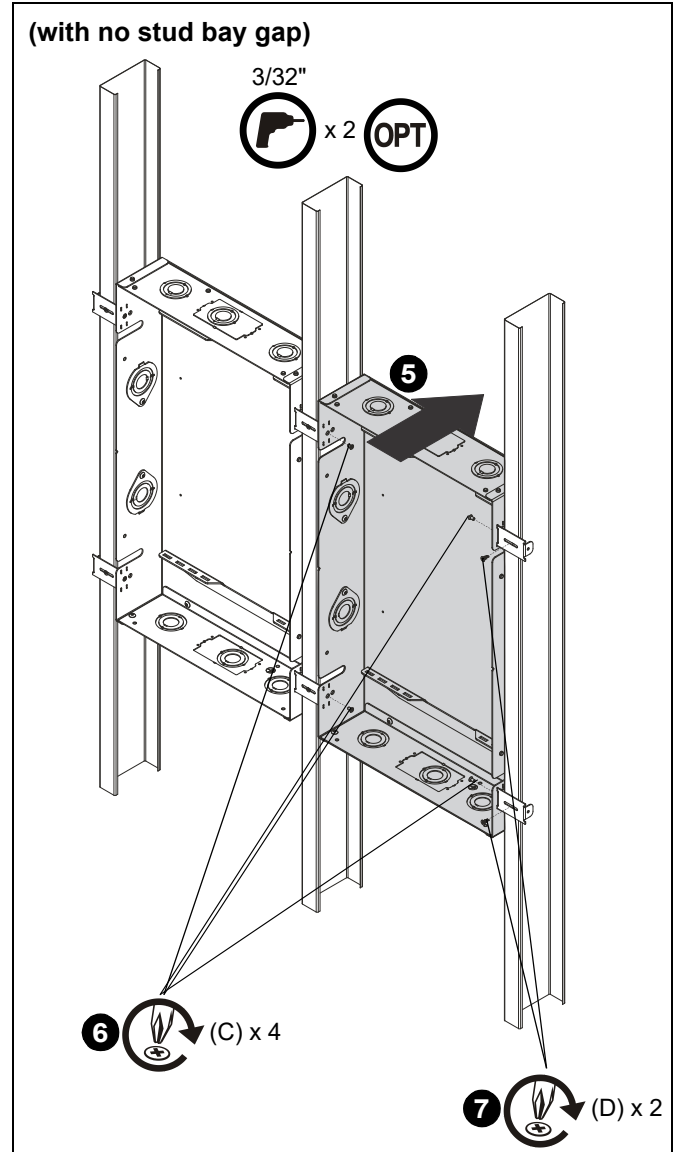


Figure 6

8. (Optional) Install Wall template/Temporary Covers (F) into box openings until ready to install FPIWMKIT2 to prevent debris from entering box during drywall installation. (See Figure 7)

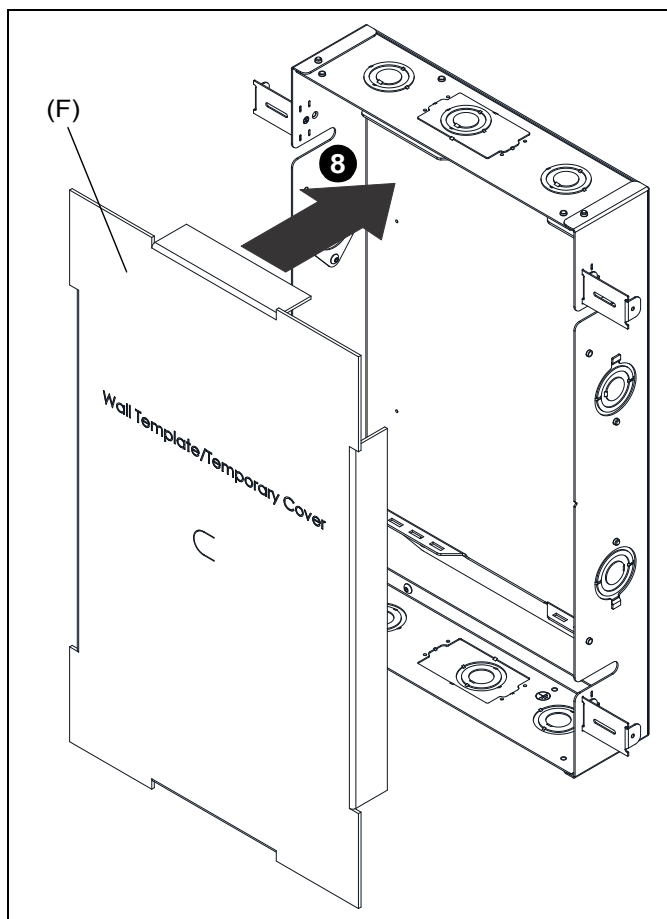


Figure 7

9. Allow drywall to be installed around boxes prior to installing FPIWMKIT2 to FPIWMKIT1 boxes.

Site Requirements For Steel Stud Wall



WARNING: IMPROPER INSTALLATION CAN LEAD TO EQUIPMENT FALLING CAUSING SERIOUS PERSONAL INJURY OR DAMAGE TO EQUIPMENT! The figure below identifies the minimum requirements for installation of display mounts onto a steel stud structure. If the structure or its components do not meet these requirements contact the mount manufacturer for specific instructions before attempting installation. It should also be noted that no other equipment should be mounted to the same stud.

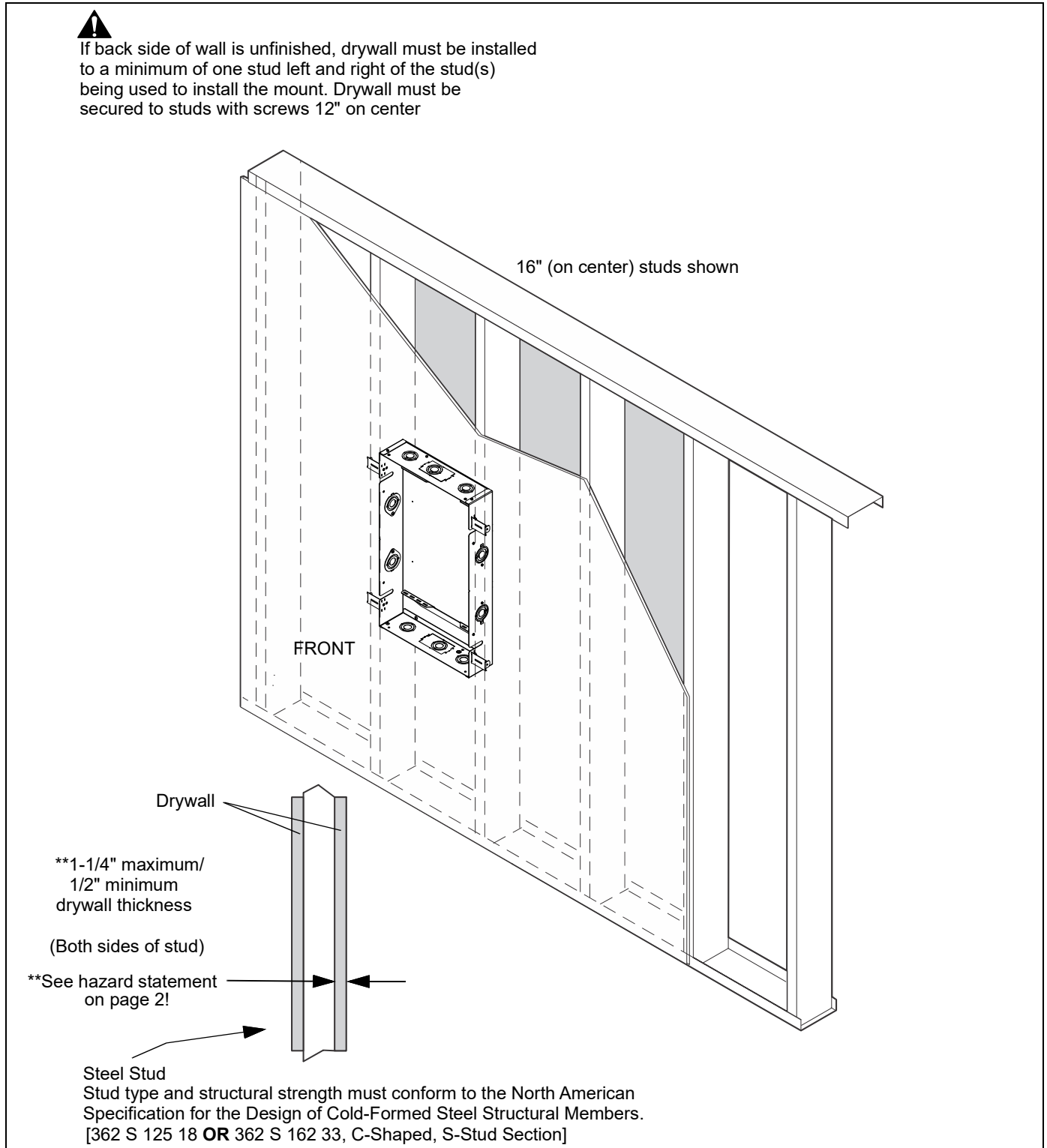


Figure 8

CHIEF®

A brand of  **legrand®**

8800-003410 Rev00
©2024 Legrand | AV
www.legrandav.com
08/2024

USA/International	A 6436 City West Parkway, Eden Prairie, MN 55344 P 800.582.6480 / 952.225.6000 F 877.894.6918 / 952.894.6918
Europe	A Franklinstraat 14, 6003 DK Weert, Netherlands P +31 (0) 495 580 852 F +31 (0) 495 580 845
Asia Pacific	A Office No. 918 on 9/F, Shatin Galleria 18-24 Shan Mei Street Fotan, Shatin, Hong Kong P 852 2145 4099 F 852 2145 4477

