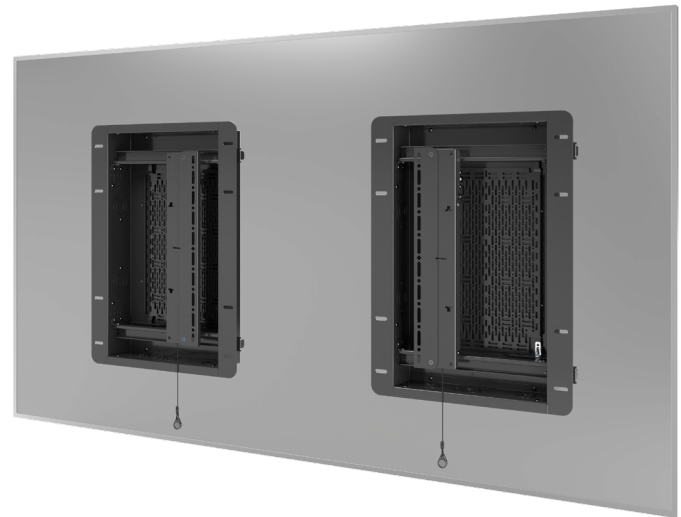


TEMPO™ FLAT PANEL IN-WALL MOUNT SYSTEM

This all-in-one configurable wall mounting system is designed to improve efficiency by streamlining installation workflow. AV professionals can increase productivity and add money to the bottom line with this new system, especially for mass rollouts. Tempo In-Wall Mount System (FPIWMS) is thoughtfully designed with feedback from installers for faster deployments.

Contractors can install in-wall boxes with stud tabs kit (FPIWMKIT1) during the rough-in construction phase. The wall mount kit (FPIWMKIT2) can be ordered separately and delivered after wall finishing is complete to add flanges, display mount and small-device storage plates. To simplify ordering for projects requiring both kits, the Tempo In-Wall Mount System (FPIWMS) includes both in a single box.

The Tempo™ Flat Panel In-Wall Mount System ships with two 15"x10" Lever Lock™ plates, offering a minimum clearance for 1 RU of AV equipment. Place small devices where you need them thanks to lateral shift flexibility within the storage boxes. Lever Lock plates are compatible with Middle Atlantic® Forward Small Device Mounting Clamps to quickly secure devices in place.



FPIWMS
Tempo Flat Panel In-Wall Mount System shown in skip bay configuration



FPIWMKIT1
Tempo In-Wall Boxes and Stud Tabs Kit shown in side by side configuration



FPIWMS
Tempo Flat Panel In-Wall Mount System shown in side by side configuration

TEMPO™ FLAT PANEL IN-WALL MOUNT SYSTEM

Save studs, save time!

There's no need to cut wall studs to accommodate flat panel VESA patterns because the mount supports 65"+ displays and are weight-rated up to 250 pounds (113 kg), covering in-wall boxes.

- UL Listing approved for steel stud installations.
- Add as many storage boxes as needed (FPIWSBX) to store small devices.
- Easily align mount & display with single or double drywall construction.
 - Minimum drywall thickness: 1/2" (11 mm)
 - Maximum drywall thickness is 1-1/4" (34 mm)



FPIWMS
Tempo Flat Panel In-Wall Mount System with storage boxes installed in split bays with ultrawide display

Infinite-width mounting patterns!

An infinite number of horizontal mounting patterns are compatible with the system to support extra-large and some ultrawide displays because in-wall mounting boxes can be set as far apart as needed to align the flat panel with the mount. Mounting patterns can extend up to 650 mm tall with the FHB5174 adapter bracket (sold separately).

Industry-leading features!

Three types of knockouts per box offer flexibility in vertical and horizontal cabling between storage boxes, giving total control over power and data design.

- Side wall knockouts accommodate four different trade conduit sizes: 1.5", 1.25", 1" and 0.5"
- Top (3) & Bottom (3) knockouts: - 1.25", 1" and 0.5" per box
- Single-gang electrical box: one bottom, one top per box

Unparalleled Service Access

Enhanced service access to small devices and AV storage system behind the display by extending mount interfaces up to 10.65" off the wall. The flat panel can also be tilted in a variety of positions (0°, 2.5°, 5°, 7.5°, 10°) to eliminate screen glare and reflections. When tilt is combined with depth adjustment, the bottom of large displays won't hit the wall.



Tempo In-Wall Mount System offers enhanced service access and five tilt positions.

TEMPO™ FLAT PANEL IN-WALL MOUNT SYSTEM

Storage and mount components can be ordered separately, as shown below, or combined, as shown on previous pages, for installation flexibility.



FPIWMKIT1

TEMPO IN-WALL BOXES AND STUD TABS KIT

Pre-drywall box installation kit. Installed during the rough-in construction phase, so electricians can run power and conduit before drywall and finishing is complete. Boxes have tabs so they can be secured to 16" On Center steel studs without wood blocking or special framing.



FPIWMKIT2

TEMPO IN-WALL FLANGE-MOUNT-STORAGE KIT

Finishing kit after FPIWMKIT1. Install after drywall and paint is done to complete display. Includes structural flanges, rails, display interfaces, and Lever Lock plates.



FPIWSBX

TEMPO IN-WALL AV STORAGE BOX - 14" X 23"

This SKU is a stand-alone box for power installation and accessory storage.

Part Number	FPIWSBX
Description	TEMPO IN-WALL AV STORAGE BOX, 14" X 23"
Storage Weight Capacity	20 lbs (9 kg)
Storage Details	One (1) 15"x10" Lever Lock plate included
In-Wall Back Box Knock-Outs	- (6) top/bottom concentric trade conduit size 1/2", 1", 1-1/4" - (2) top/bottom single duplex electrical box - (4) left/right concentric trade conduit size 1/2", 1", 1-1/4", 1-1/2"
Certifications	UL 2416

TEMPO™ FLAT PANEL IN-WALL MOUNT SYSTEM

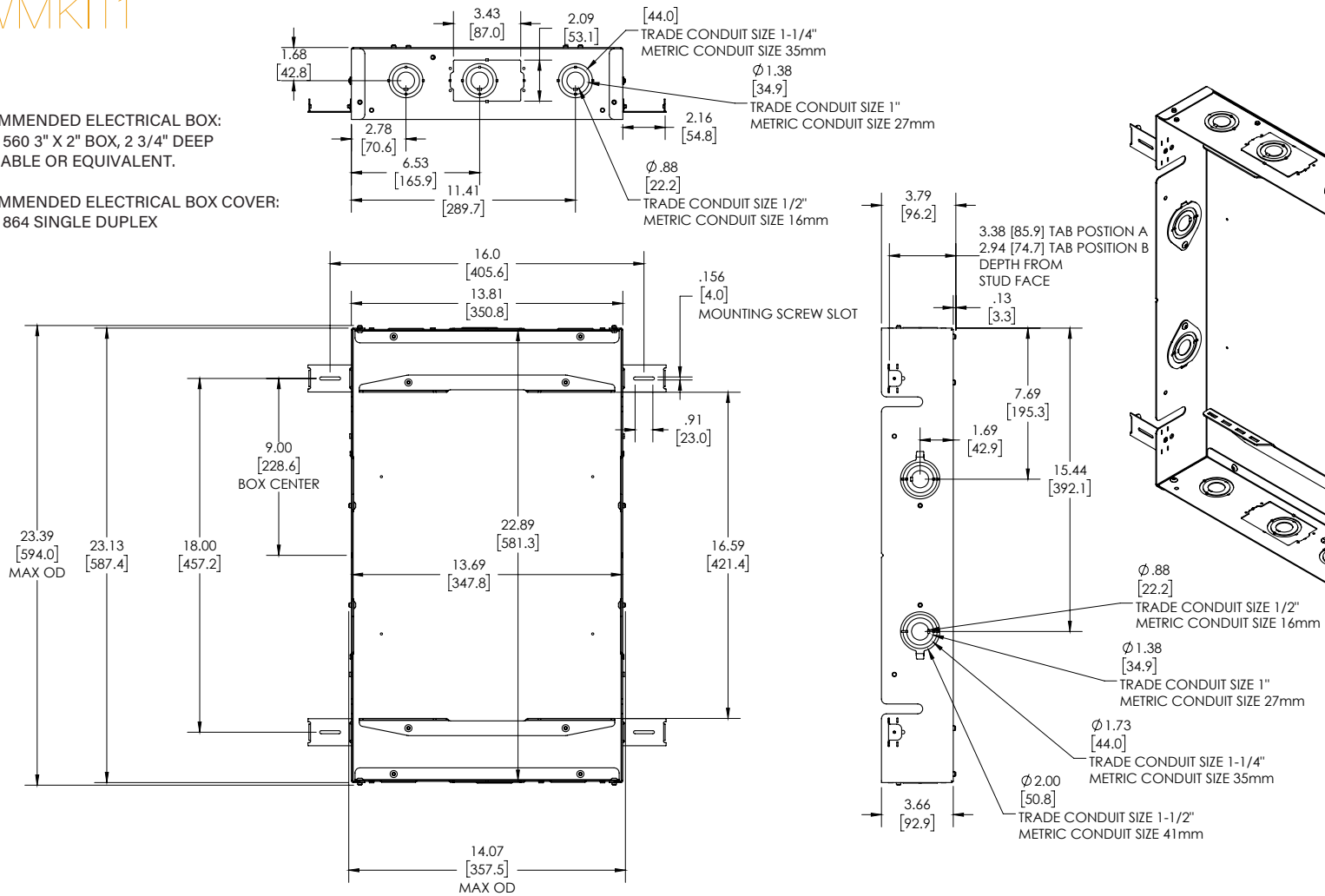
Part Number	FPIWMS	FPIWMKIT1	FPIWMKIT2
Description	TEMPO FP IN-WALL MOUNT SYSTEM	TEMPO IN-WALL BOXES AND STUD TABS KIT	TEMPO IN-WALL FLANGE-MOUNT STORAGE KIT
Pre-Requisites	None	FPIWMKIT2 MUST BE ORDERED SEPARATELY	FPIWMKIT1 MUST BE ORDERED SEPARATELY
Typical Display Size	65"+		
Display Orientation	Landscape / Portrait		
Display Mounting Pattern (Landscape)	Min. 200 x 100 mm / Max.* 1500 x 450mm (650mm height possible with use of FHB5174 adapter bracket)		
Weight Capacity	250 lbs (113.4 kg) when installing to 20 gage structural steel studs 200 lbs (90.7 kg) when installing to 25 gage steel studs		
Wall Substrates	16" O.C. 20 ga or 25 ga minimum steel stud wall covered with drywall having a maximum thickness of 1-1/4" and minimum of 1/2"		
Interface Height Adjust	± 0.50 inches (12.7 mm)	NA	± 0.50 inches (12.7 mm)
Lateral Shift	Yes, display mounting interfaces can travel the width of the in-wall back box		
Tilt	-10° / +0°, 2.5° increments		
Service Extension	10.65" (271 mm)		
Storage Weight Capacity	40 lbs (18.14 kg): 20 lbs (9 kg) per Lever Lock plate		
Storage Details	Two (2) Lever Lock plates included		
In-Wall Back Box Knock-Outs	- (12) top/bottom concentric trade conduit size 1/2", 1", 1-1/4" - (4) top/bottom single duplex electrical box - (8) left/right concentric trade conduit size 1/2", 1", 1-1/4", 1-1/2"	NA	
Certifications	UL 2442	NA	NA
ADA Compliance	Facilitates ADA compliance when displays are 3.5 inches or less in depth.		

TEMPO™ FLAT PANEL IN-WALL MOUNT SYSTEM

FPIWMKIT1

RECOMMENDED ELECTRICAL BOX:
RACO 560 3" X 2" BOX, 2 3/4" DEEP
GANGABLE OR EQUIVALENT.

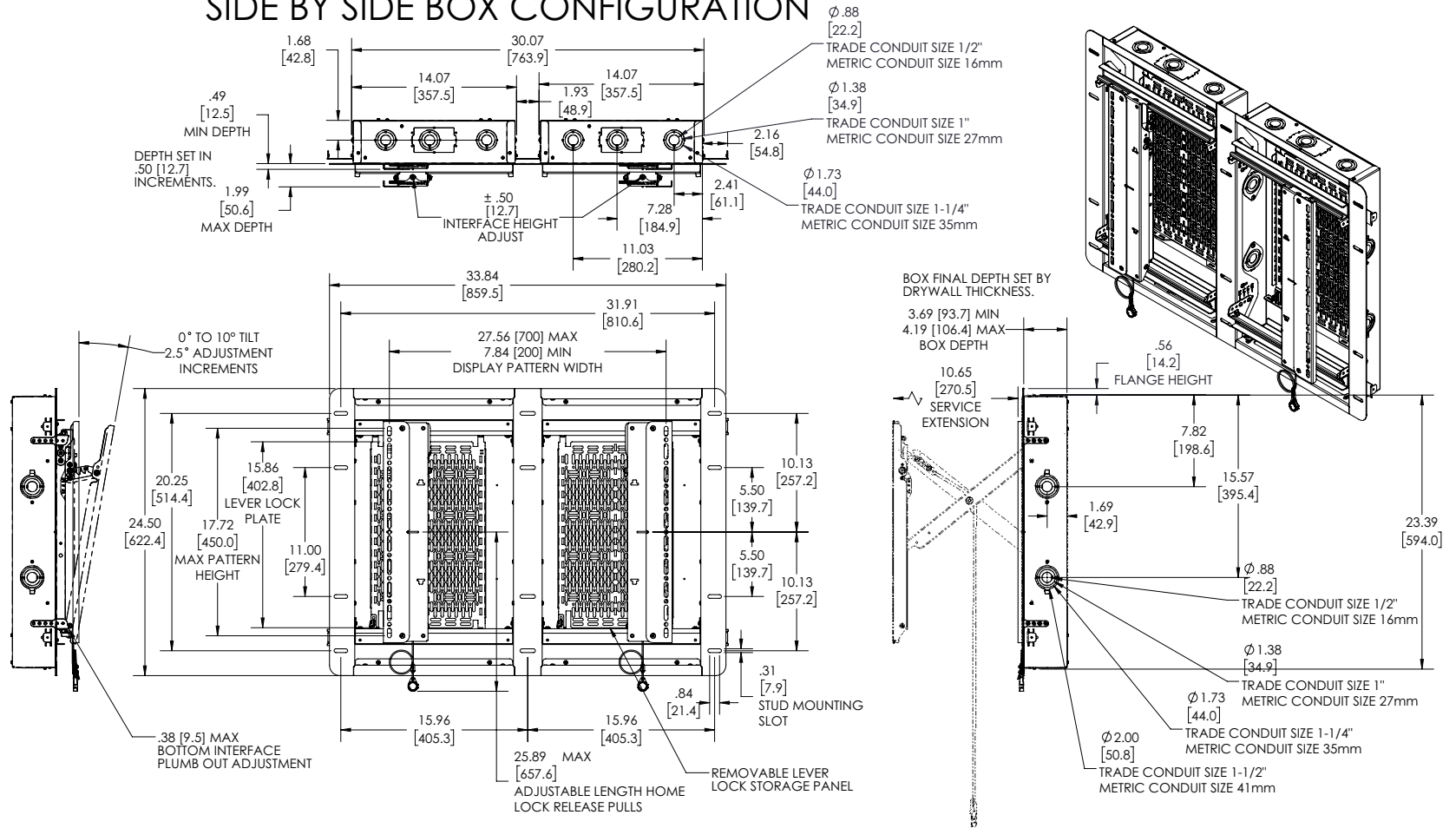
RECOMMENDED ELECTRICAL BOX COVER:
RACO 864 SINGLE DUPLEX



TEMPO™ FLAT PANEL IN-WALL MOUNT SYSTEM

FPIWMS

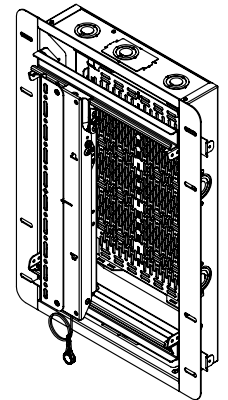
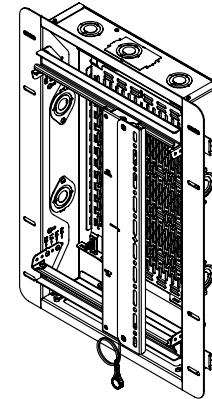
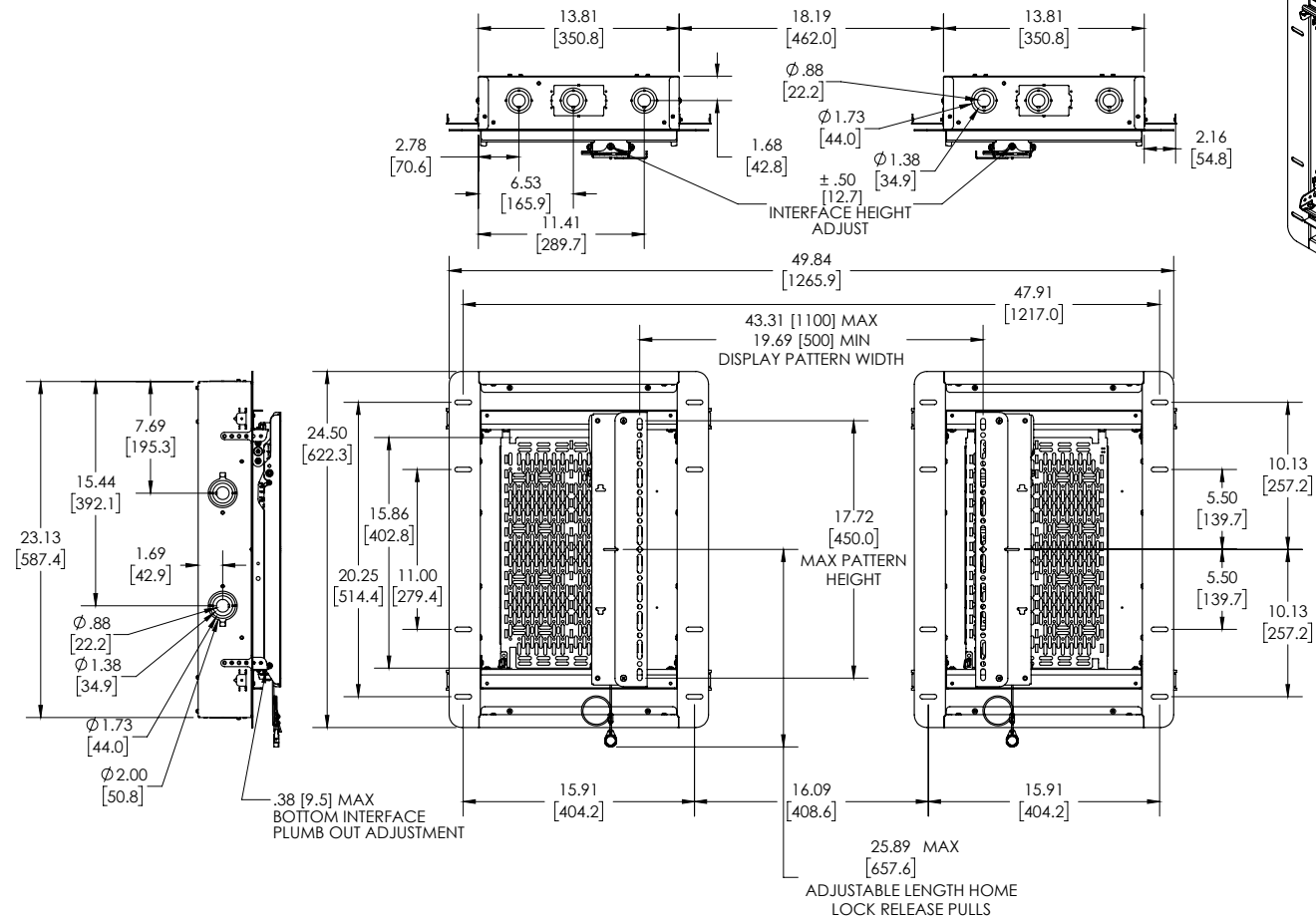
SIDE BY SIDE BOX CONFIGURATION



TEMPO™ FLAT PANEL IN-WALL MOUNT SYSTEM

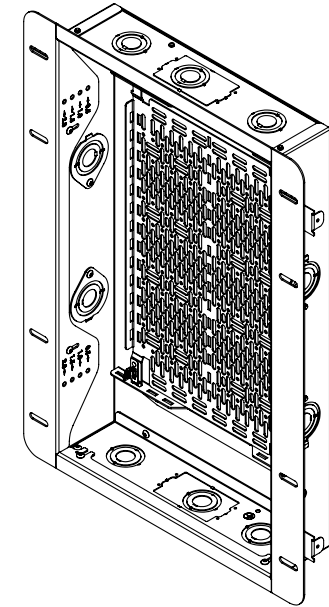
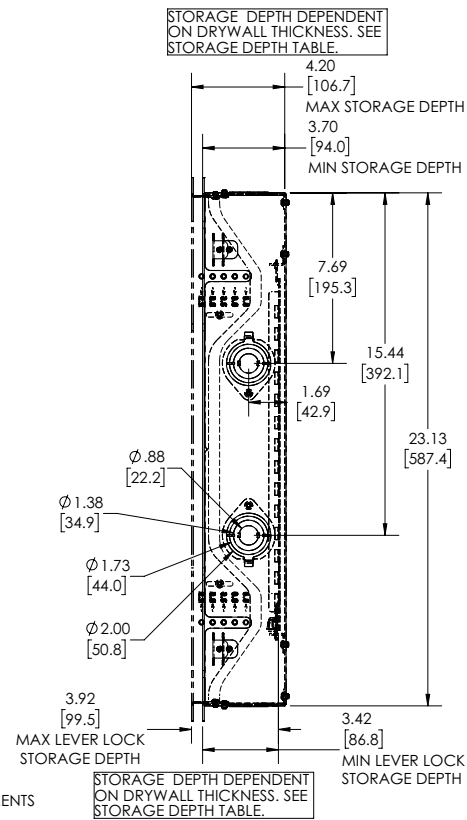
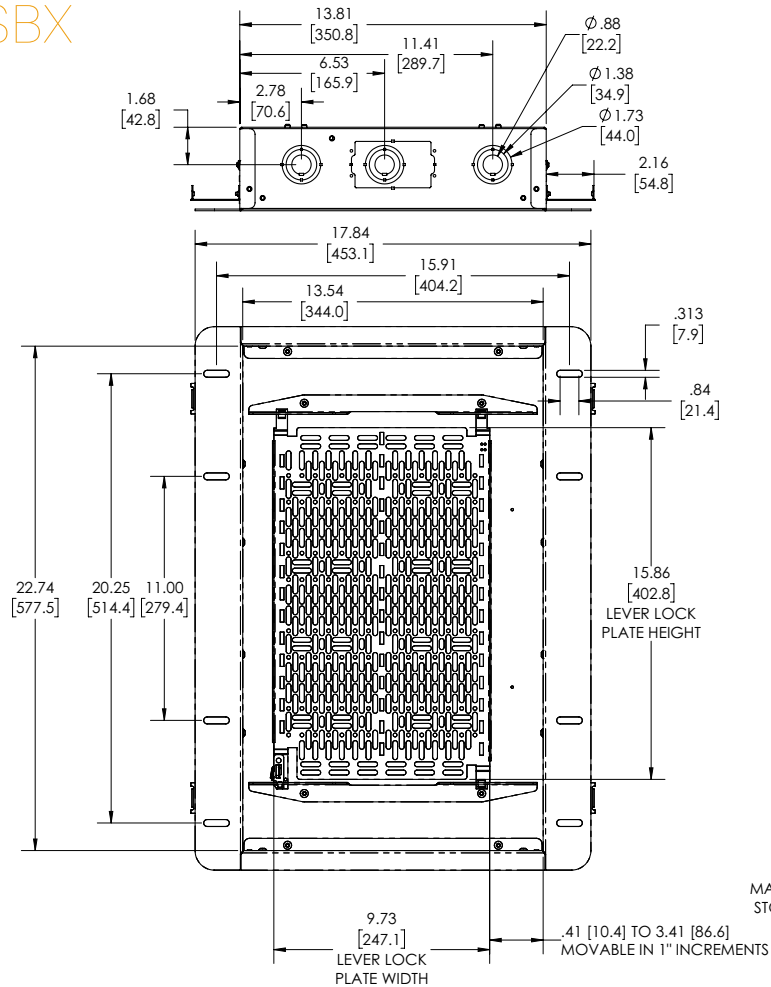
FPIWMS

SPLIT BOX CONFIGURATION



TEMPO™ FLAT PANEL IN-WALL MOUNT SYSTEM

FPIWSBX



DRYWALL THICKNESS	0.50 IN	0.63 IN	1.00 IN	1.25 IN
DEPTH	3.48	3.61	3.54	3.79

LEGRAND | AV COMMERCIAL BRANDS
C2G | Chief | Da-Lite | Luxul | Middle Atlantic | Vaddio | Wiremold

INSTALLER INSPIRED | legrandav.com

USA 866.977.3901 av.chief.support@legrand.com CANADA 877.345.4329 av.chief.canada@legrand.com

EMEA +31 495 580 840 av.emea.sales@legrand.com APAC +852 2145 4099 av.asia.sales@legrand.com