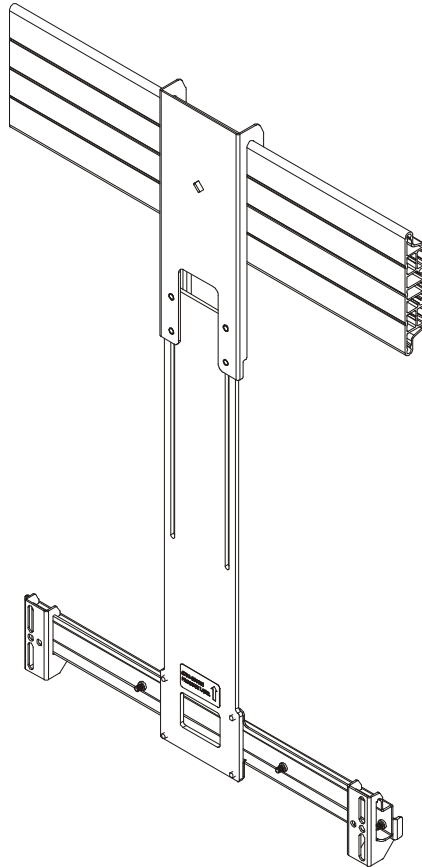


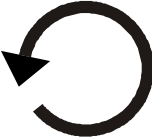


INSTALLATION INSTRUCTIONS

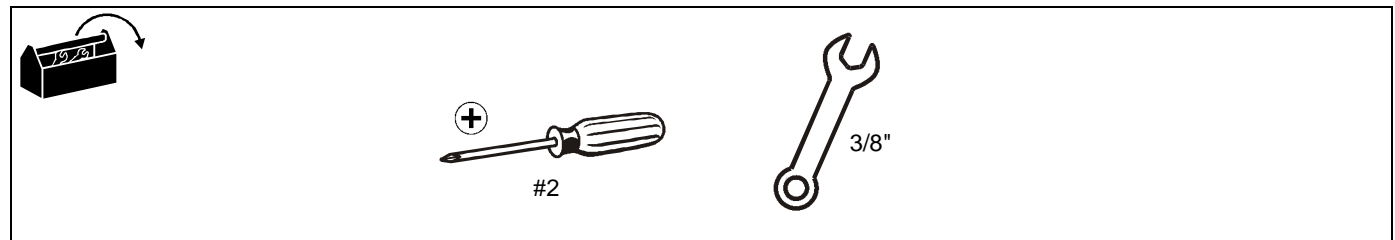


Center Channel Speaker Accessory

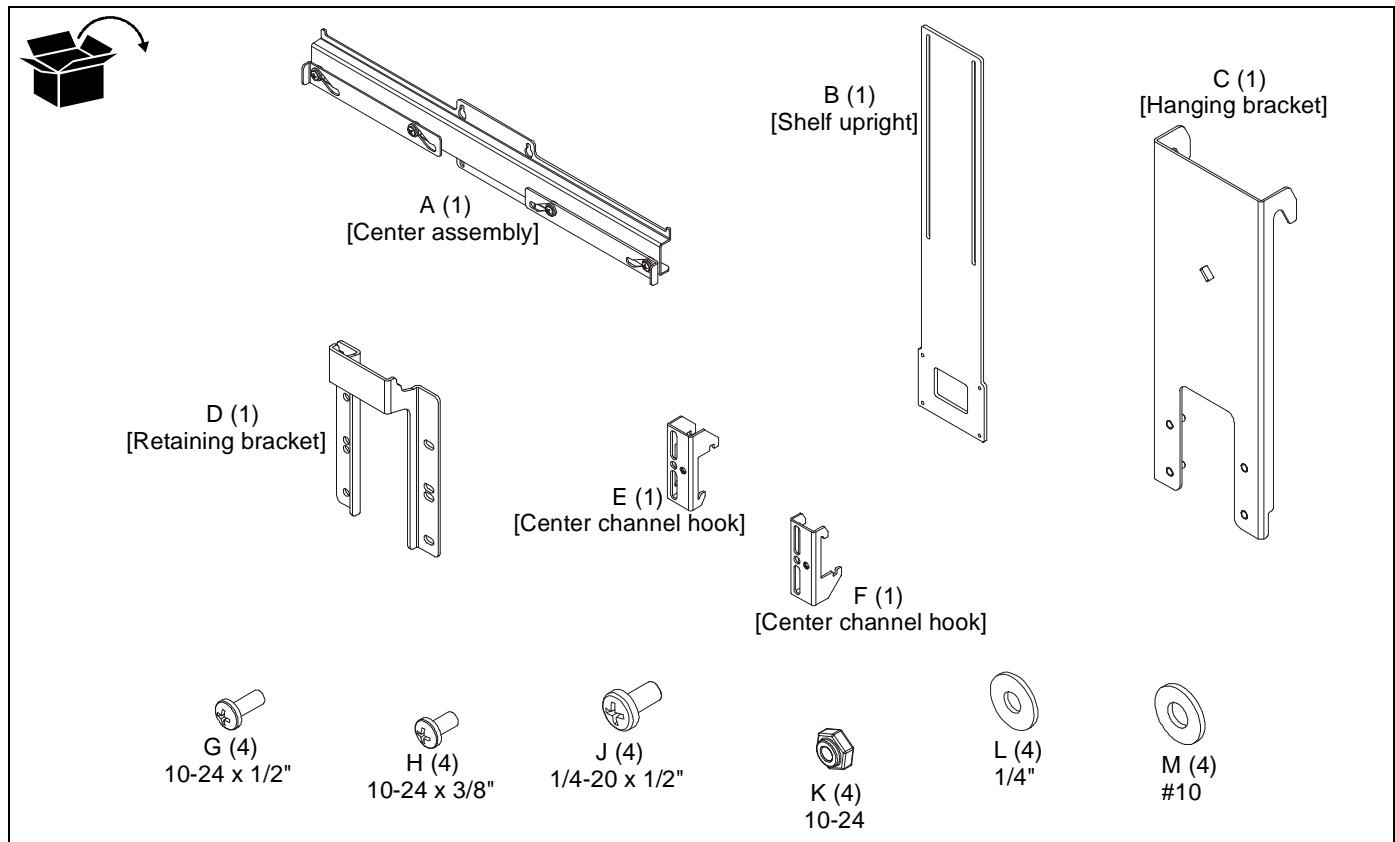
LEGEND

	Tighten Fastener		Open-Ended Wrench
	Apretar elemento de fijación		Llave de boca
	Befestigungsteil festziehen		Gabelschlüssel
	Apertar fixador		Chave de bocas
	Serrare il fissaggio		Chiave a punte aperte
	Bevestiging vastdraaien		Steeksleutel
Serrez les fixations	Clé à fourche		
	Loosen Fastener		Phillips Screwdriver
	Aflojar elemento de fijación		Destornillador Phillips
	Befestigungsteil lösen		Kreuzschlitzschraubendreher
	Desapertar fixador		Chave de fendas Phillips
	Allentare il fissaggio		Cacciavite a stella
	Bevestiging losdraaien		Kruiskopschroevendraaier
Desserrez les fixations	Tournevis à pointe cruciforme		

TOOLS REQUIRED FOR INSTALLATION



PARTS



ASSEMBLY AND INSTALLATION

Attaching Bracket and Upright to Mount

1. Lower hanging bracket (C) onto mount rail, placing hooks over mount rail. (See Figure 1)

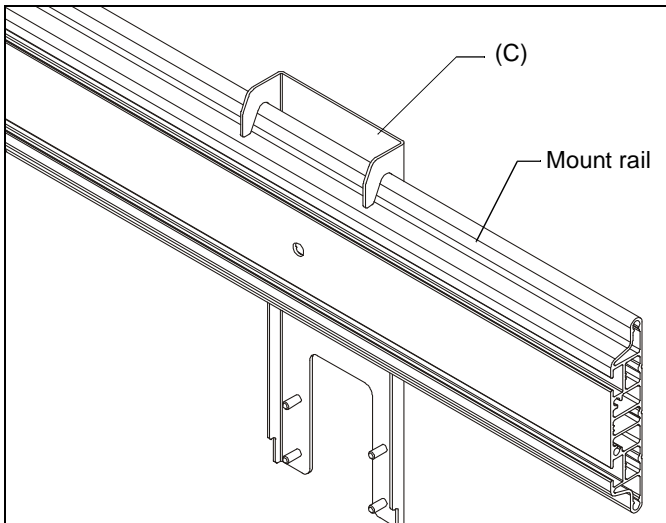


Figure 1

2. Hang shelf upright (B) onto the hanging bracket (C), placing studs on hanging bracket into slots on shelf upright. (See Figure 2)

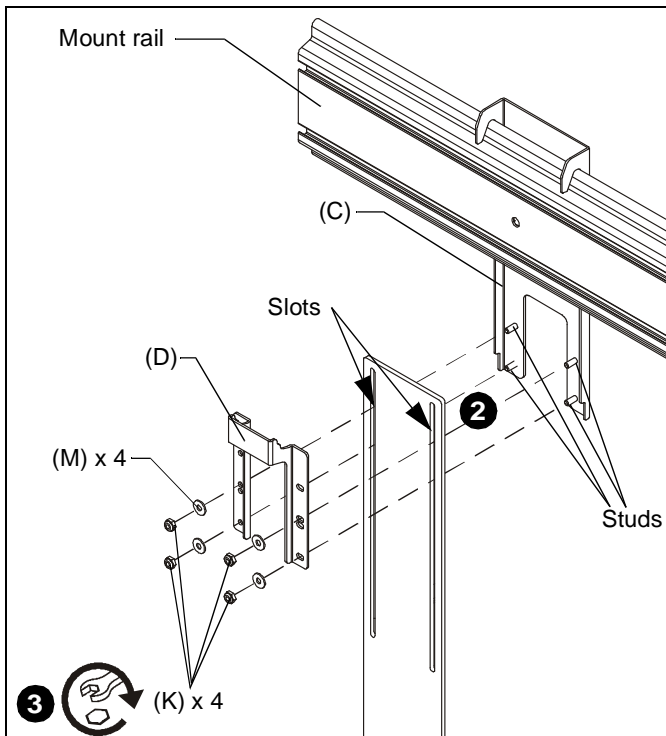


Figure 2

3. Attach retaining bracket (D) to shelf upright, pressing retaining bracket against mount rail and tightening, using four #10 washers (M) and 10-24 lock nuts (K). (See Figure 2)

Assembling Center Assembly to Upright

NOTE: If installing a taller speaker, proceed to **Optional Speaker Installations** section.

1. Partially install two 10-24 x 3/8" Phillips pan head screws (H) into the top two holes on shelf upright (B). (See Figure 3)
2. Raise center assembly (A) up to hang it on two screws inserted in Step 1. (See Figure 3)

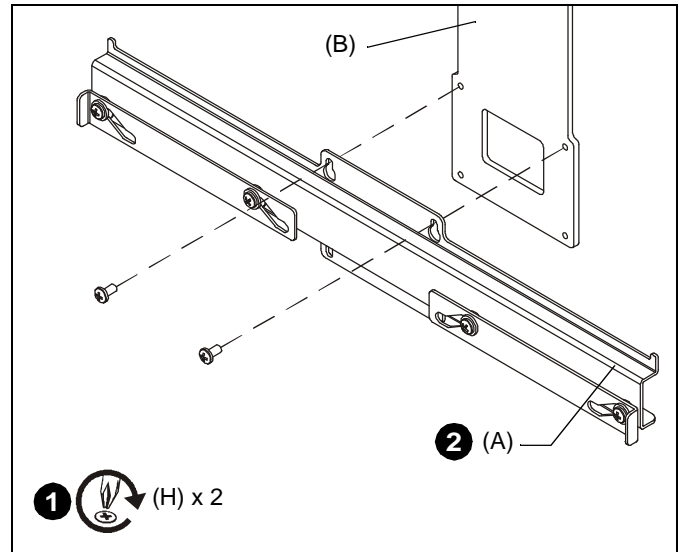


Figure 3

3. Fasten two 10-24 x 3/8" Phillips pan head screws (H) into the lower holes of center assembly (A). (See Figure 4)

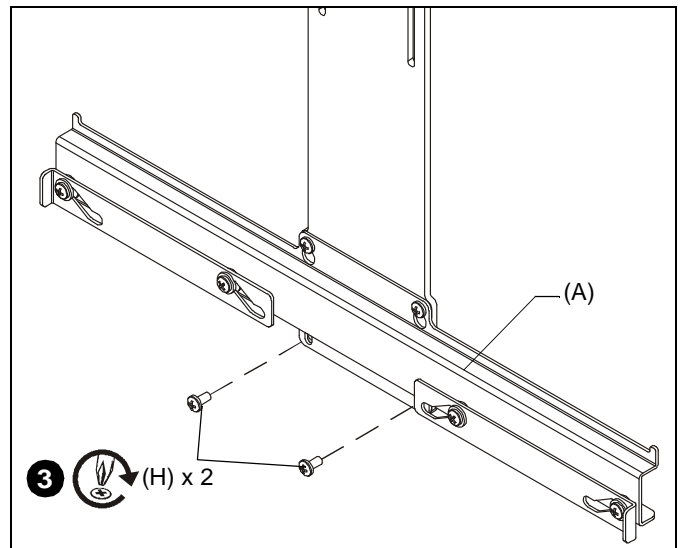


Figure 4

4. Tighten two upper screws inserted in Step 1.

Adjustments

1. Loosen two nuts on each side of retaining bracket. (See Figure 5)
2. Adjust height of center assembly, as necessary.
3. Tighten four nuts on retaining bracket.

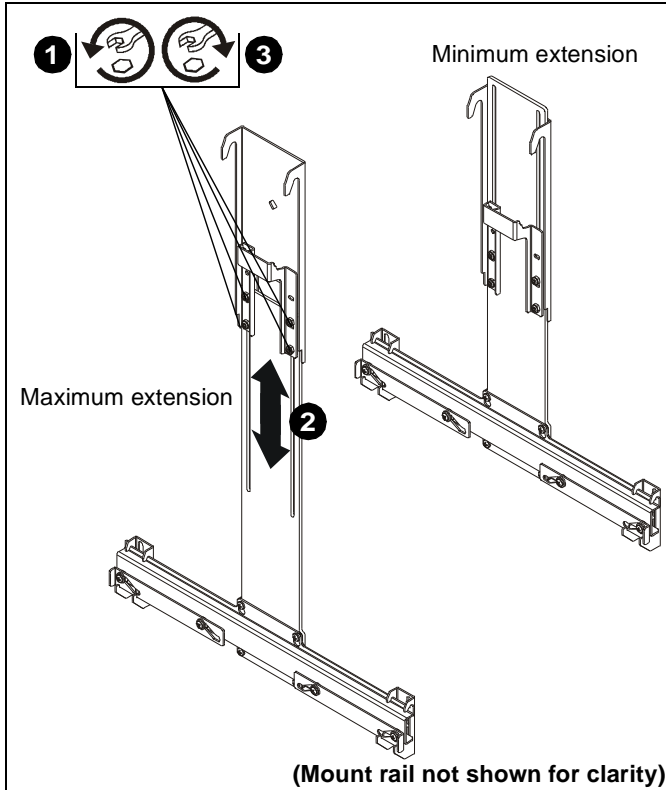


Figure 5

Installing Speakers



WARNING: Exceeding the weight capacity can result in serious personal injury or damage to equipment! It is the installer's responsibility to make sure the combined weight of speakers located on the FCA530 does not exceed 20 lbs (9.1 kg).



WARNING: USING SCREWS OF IMPROPER SIZE MAY DAMAGE THE SPEAKER. Properly sized screws will easily and completely thread into speaker mounting holes.

NOTE: If the screws provided with this accessory do not fit the specific speaker being installed, be sure to use correctly sized screws (not included).

1. Attach one center channel hook (E) to back of speaker (left side) using two 1/4-20 x 1/2" Phillips pan head screws (J) with two 1/4" washers (L). (See Figure 6)

NOTE: Ensure that longer hooks are at bottom of speaker. (See Figure 6)

2. Repeat with other end of speaker and the remaining center channel hook (F). (See Figure 6)

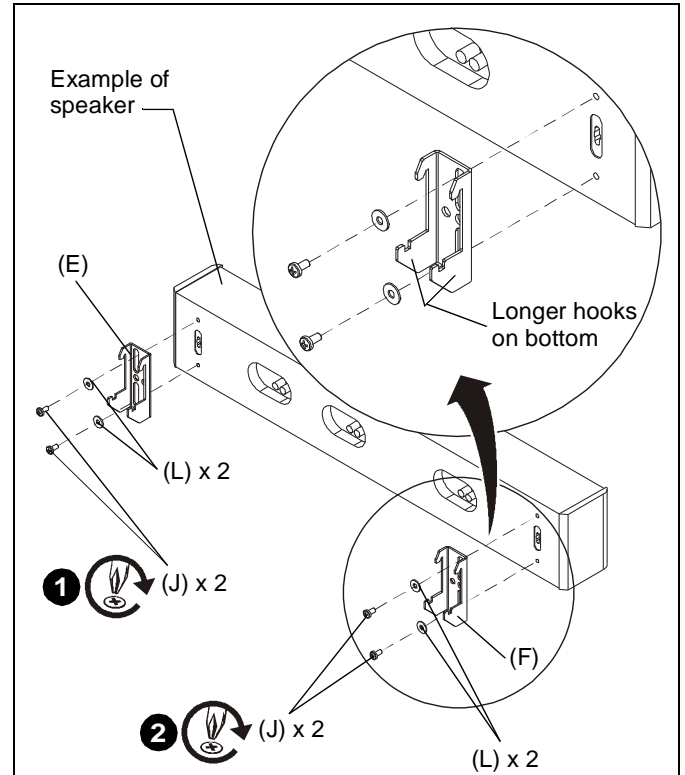


Figure 6

3. Attach speaker with attached center channel hooks (E, F) to the center assembly (A) by hanging the top hook on top of assembly, and swinging bottom of speaker in towards center assembly. (See Figure 7)

NOTE: If speaker is too tall and hits center assembly (A) when attempting to attach to assembly, remove center assembly (A) from upright and proceed to Step 3 of **Installing Tall Speakers** section.

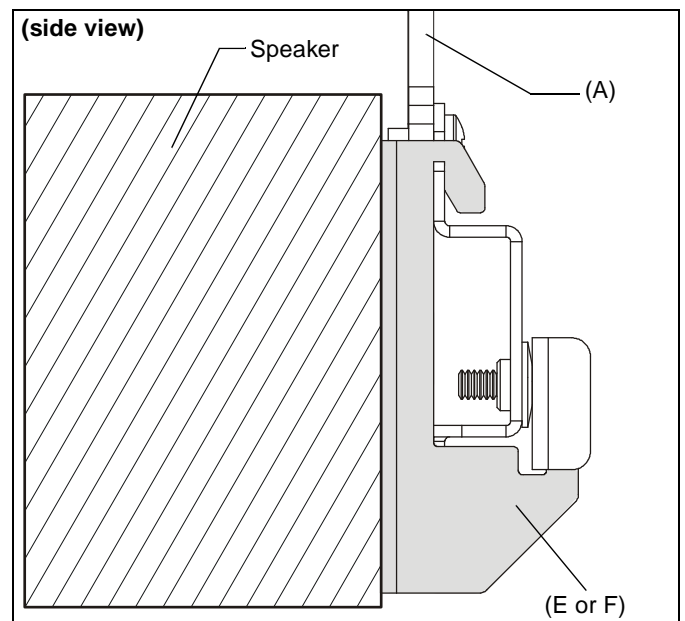


Figure 7

OPTIONAL SPEAKER INSTALLATIONS

Speaker With Teardrop Opening At Attachment Points

1. Insert two 10-24 x 1/2" Phillips pan head screws (G) into center channel hooks and hang speaker on screws. (See Figure 8)

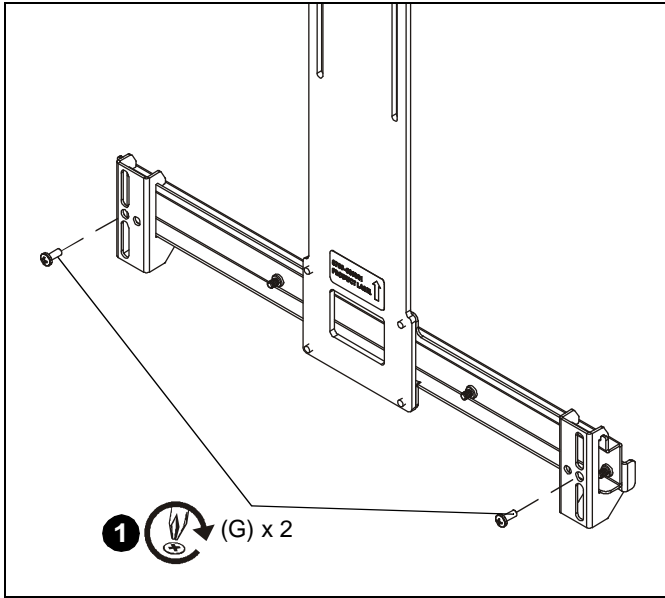


Figure 8

Installing Tall Speakers

⚠ WARNING: USING SCREWS OF IMPROPER SIZE MAY DAMAGE THE SPEAKER. Properly sized screws will easily and completely thread into speaker mounting holes.

NOTE: If the screws provided with this accessory do not fit the specific speaker being installed, be sure to use correctly sized screws (not included).

1. Attach one center channel hook (E) to back of speaker (left side) using two 1/4-20 x 1/2" Phillips pan head screws (J) with two 1/4" washers (L). (See Figure 9)

NOTE: Ensure that longer hooks are at bottom of speaker. (See Figure 9)

2. Repeat with other end of speaker and the remaining center channel hook (F). (See Figure 9)

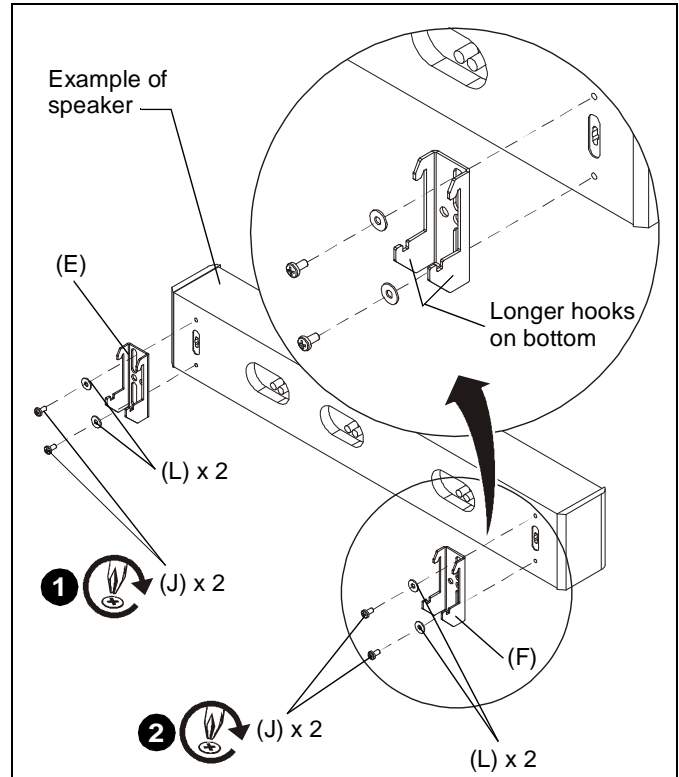


Figure 9

3. Hang speaker with center channel hooks onto center assembly (A).
4. Partially install two 10-24 x 3/8" Phillips pan head screws (H) into the top two holes on shelf upright (B). (See Figure 10)
5. Raise center assembly (A) up to hang it on two screws inserted in Step 1. (See Figure 10)

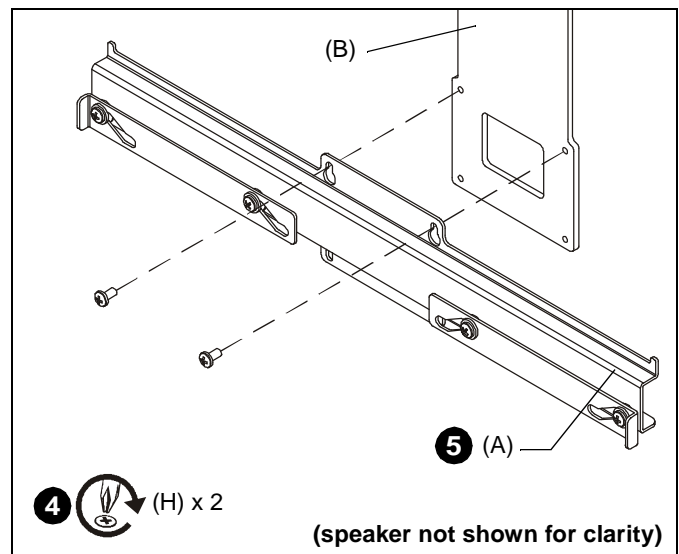


Figure 10

- Fasten two 10-24 x 3/8" Phillips pan head screws (H) into the lower holes of center assembly (A). (See Figure 11)

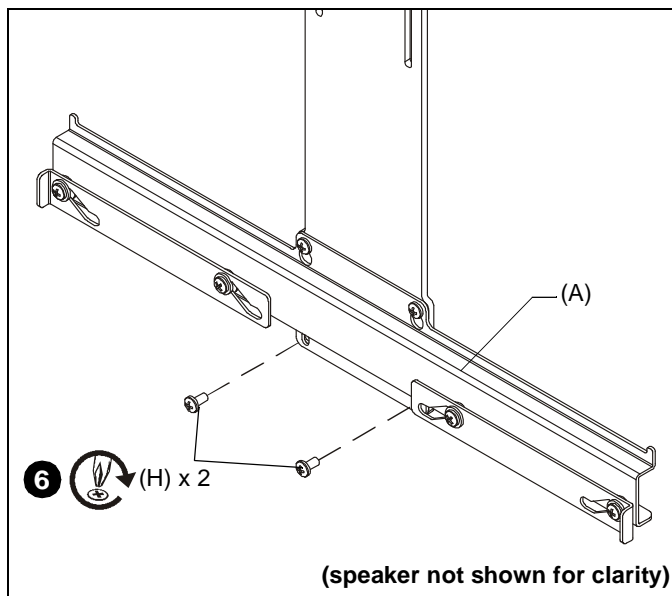


Figure 11

- Tighten two upper screws inserted in Step 1.



Our Mounts. **Your Vision.**

Chief Manufacturing, a products division
of Milestone AV Technologies

8800-002268 Rev01
©2012 Milestone AV Technologies,
a Duchossois Group Company
www.chiefmfg.com
11/12

USA/International	A 6436 City West Parkway, Eden Prairie, MN 55344 P 800.582.6480 / 952.225.6000 F 877.894.6918 / 952.894.6918
Europe	A Franklinstraat 14, 6003 DK Weert, Netherlands P +31 (0) 495 580 852 F +31 (0) 495 580 845
Asia Pacific	A Office No. 1 on 12/F, Shatin Galleria 18-24 Shan Mei Street Fotan, Shatin, Hong Kong P 852 2145 4099 F 852 2145 4477

