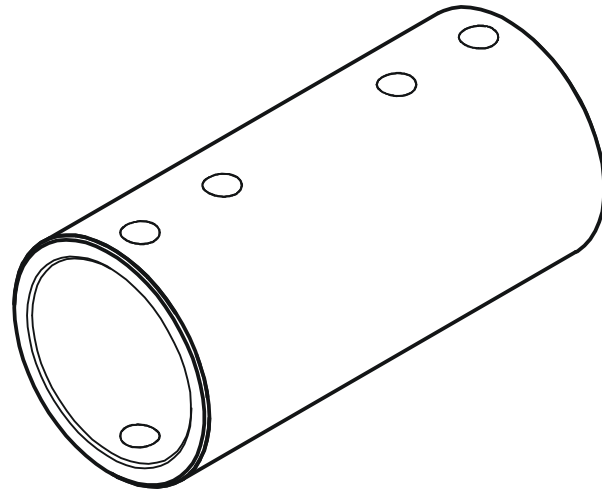

INSTALLATION INSTRUCTIONS



CPA Connector Coupling

DISCLAIMER

Milestone AV Technologies and its affiliated corporations and subsidiaries (collectively "Milestone"), intend to make this manual accurate and complete. However, Milestone makes no claim that the information contained herein covers all details, conditions or variations, nor does it provide for every possible contingency in connection with the installation or use of this product. The information contained in this document is subject to change without notice or obligation of any kind. Milestone makes no representation of warranty, expressed or implied, regarding the information contained herein. Milestone assumes no responsibility for accuracy, completeness or sufficiency of the information contained in this document.

Chief® is a registered trademark of Milestone AV Technologies. All rights reserved.

DEFINITIONS

WARNING: A WARNING alerts you to the possibility of serious injury or death if you do not follow the instructions.

CAUTION: A CAUTION alerts you to the possibility of damage or destruction of equipment if you do not follow the corresponding instructions.

MOUNTING SYSTEM: A MOUNTING SYSTEM is the primary product designed by Chief® to mount the projector or display.

ACCESSORY: An ACCESSORY is any product designed by Chief® to complement the primary mounting system either by mounting any supporting components or enhancing the mounting capabilities of the primary mounting system.

COMPONENT: A COMPONENT is any secondary product to be mounted to an accessory, i.e. speakers, CPU's, cameras, tablets, additional displays.

! IMPORTANT SAFETY INSTRUCTIONS

! WARNING: Failure to read, thoroughly understand, and follow all instructions can result in serious personal injury, damage to equipment, or voiding of factory warranty! It is the installer's responsibility to make sure all mounts/accessories

are properly assembled and installed using the instructions provided.

! WARNING: Failure to provide adequate structural strength for this accessory can result in serious personal injury or damage to equipment! It is the installer's responsibility to make sure the structure to which this accessory is attached can support five times the combined weight of all equipment. Reinforce the structure as required before installing the accessory.

! WARNING: Exceeding the weight capacity can result in serious personal injury or damage to equipment! It is the installer's responsibility to make sure the combined weight of all components attached to the CPA263 accessory does not exceed 500 lbs (226.8 kg).

- The weight capacity of the CPA263 may be LIMITED to the lowest weight capacity of any other component or accessory used within the mounting system.

! WARNING: Use this accessory only for its intended use as described in these instructions. Do not use attachments not recommended by the manufacturer.

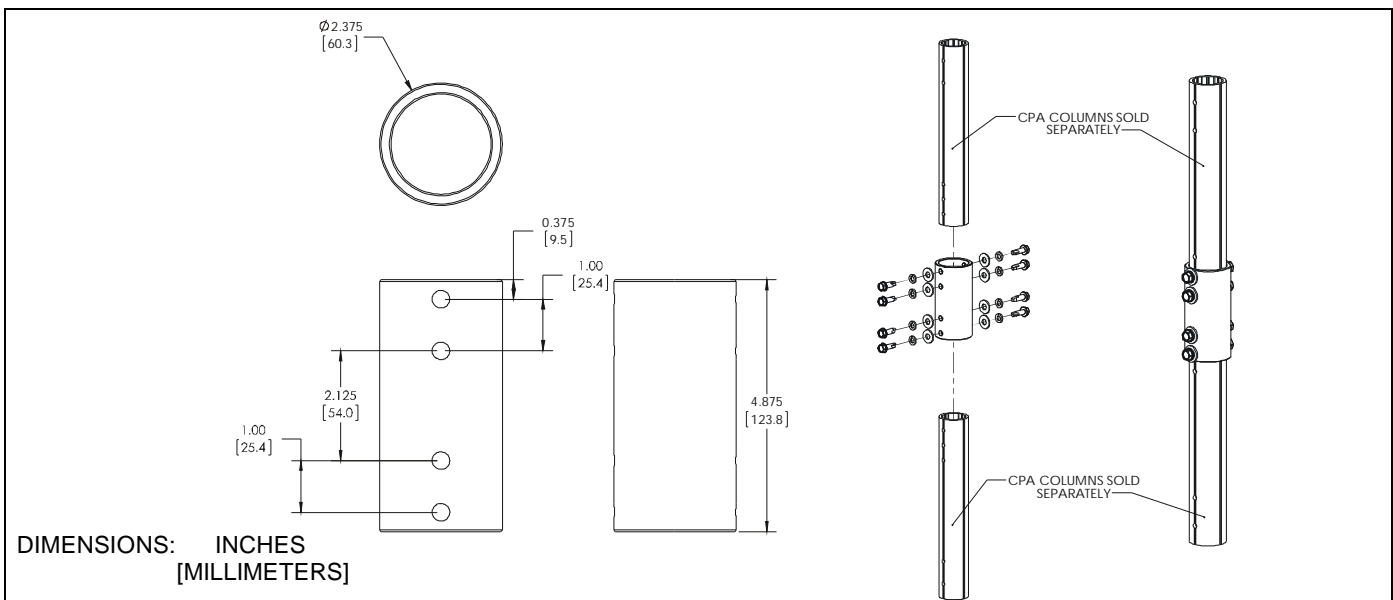
! WARNING: Never operate this accessory if it is damaged. Return the accessory to a service center for examination and repair.

! WARNING: Do not use this product outdoors.

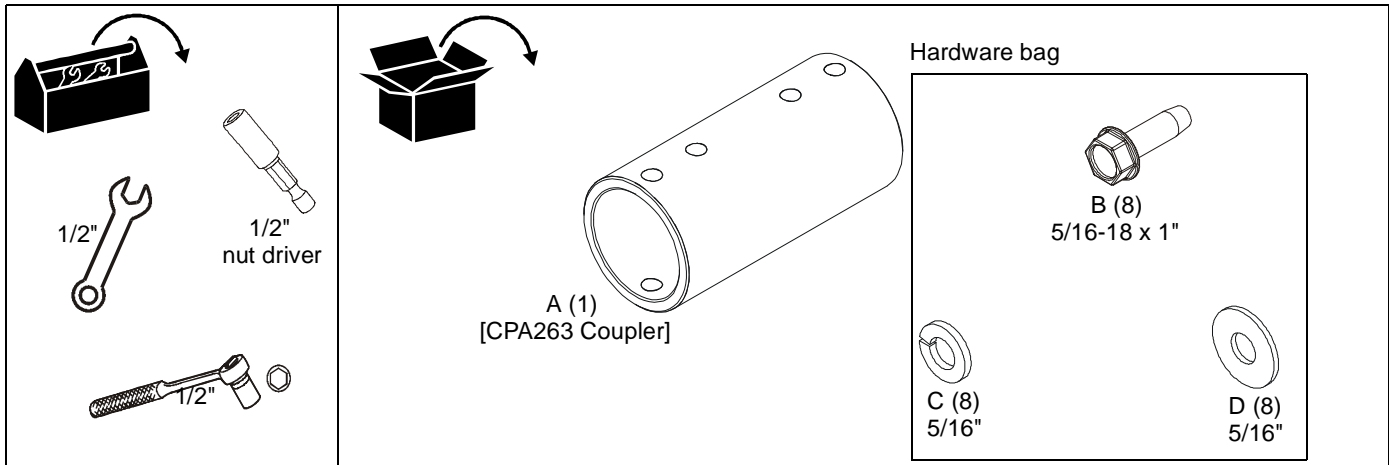
NOTE: Accessory is intended to be used with the UL Listed CPA Extension Column Series column (not included).

--SAVE THESE INSTRUCTIONS--

DIMENSIONS



TOOLS REQUIRED FOR INSTALLATION / PARTS



INSTALLATION

IMPORTANT ! : The following procedure assumes that a UL Listed CPA Extension Column Series column has been properly installed following instructions provided with extension column.

NOTE: The CPA263 adapts a UL Listed CPA extension column (not included) to another CPA extension column (not included).

1. Slide CPA263 (A) onto installed UL Listed CPA extension column, lining up holes in CPA263 with holes in extension column.
2. Install four 5/16" x 1" self-tapping screws (B) through four 5/16" split lock washers (C), four flat washers (D), and into installed extension column. (See Figure 1)

NOTE: Installation of hex head self-tapping screws will be easier when screws are carefully aligned with holes in extension column, and a drill and nut driver is used. If a drill will NOT be used, a small amount of pressure will be needed to get the self-tapping screws started.

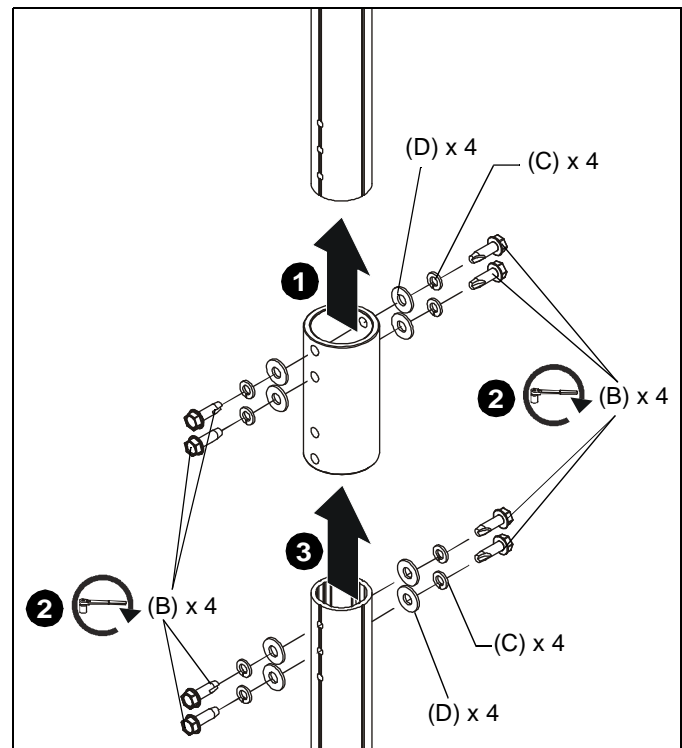


Figure 1

3. Install UL Listed CPA extension column (not included) following instructions included with extension column and using four 5/16" x 1" self-tapping screws (B) through four 5/16" split lock washers (C), and four flat washers (D). (See Figure 1)



Our Mounts. **Your Vision.**

Chief, a products division of
Milestone AV Technologies

8800-002385 Rev01
©2016 Milestone AV Technologies
www.chiefmfg.com
02/16

USA/International	A 6436 City West Parkway, Eden Prairie, MN 55344 P 800.582.6480 / 952.225.6000 F 877.894.6918 / 952.894.6918
Europe	A Franklinstraat 14, 6003 DK Weert, Netherlands P +31 (0) 495 580 852 F +31 (0) 495 580 845
Asia Pacific	A Office No. 918 on 9/F, Shatin Galleria 18-24 Shan Mei Street Fotan, Shatin, Hong Kong P 852 2145 4099 F 852 2145 4477

