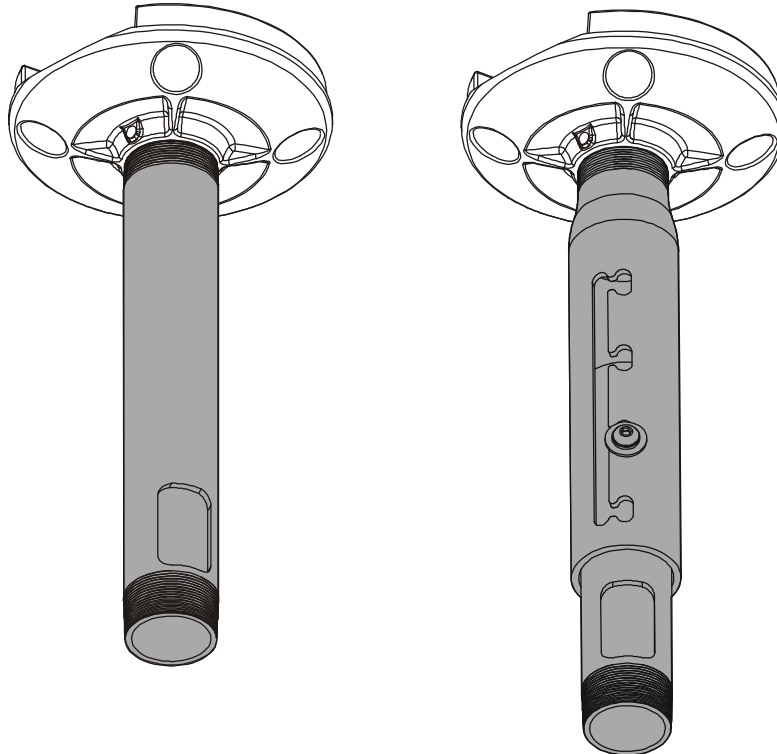

INSTALLATION INSTRUCTIONS



Fixed / Adjustable Length Extension Columns

DISCLAIMER

Milestone AV Technologies and its affiliated corporations and subsidiaries (collectively "Milestone"), intend to make this manual accurate and complete. However, Milestone makes no claim that the information contained herein covers all details, conditions or variations, nor does it provide for every possible contingency in connection with the installation or use of this product. The information contained in this document is subject to change without notice or obligation of any kind. Milestone makes no representation of warranty, expressed or implied, regarding the information contained herein. Milestone assumes no responsibility for accuracy, completeness or sufficiency of the information contained in this document.

Chief® is a registered trademark of Milestone AV Technologies. All rights reserved.



WARNING: Use this mounting system only for its intended use as described in these instructions. Do not use attachments not recommended by the manufacturer.



WARNING: Never operate this mounting system if it is damaged. Return the mounting system to a service center for examination and repair.



WARNING: Do not use this product outdoors.

--SAVE THESE INSTRUCTIONS--



IMPORTANT SAFETY INSTRUCTIONS



WARNING: A WARNING alerts you to the possibility of serious injury or death if you do not follow the instructions.



CAUTION: A CAUTION alerts you to the possibility of damage or destruction of equipment if you do not follow the corresponding instructions.



WARNING: Failure to read, thoroughly understand, and follow all instructions can result in serious personal injury, damage to equipment, or voiding of factory warranty! It is the installer's responsibility to make sure all components are properly assembled and installed using the instructions provided.



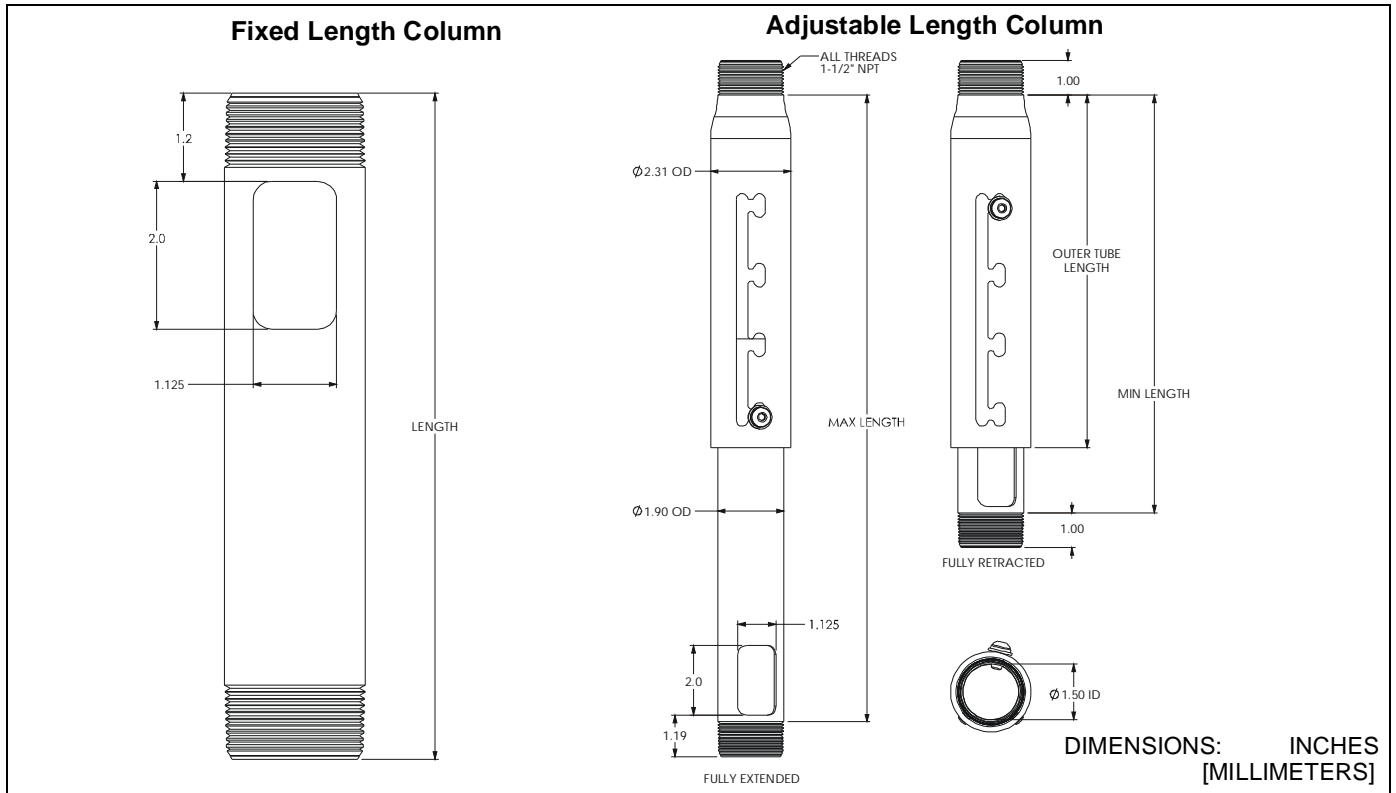
WARNING: Failure to provide adequate structural strength for this component can result in serious personal injury or damage to equipment! It is the installer's responsibility to make sure the structure to which this component is attached can support five times the combined weight of all equipment. Reinforce the structure as required before installing the component.



WARNING: Exceeding the weight capacity can result in serious personal injury or damage to equipment! It is the installer's responsibility to make sure the combined weight of all components attached to the CMS Series Extension Column does not exceed 500 lbs (226 kg).

- The weight capacity of the CMS Series Extension Column may be LIMITED to the lowest weight capacity of any other component located between the CMS Series Extension Column and the supporting structure!

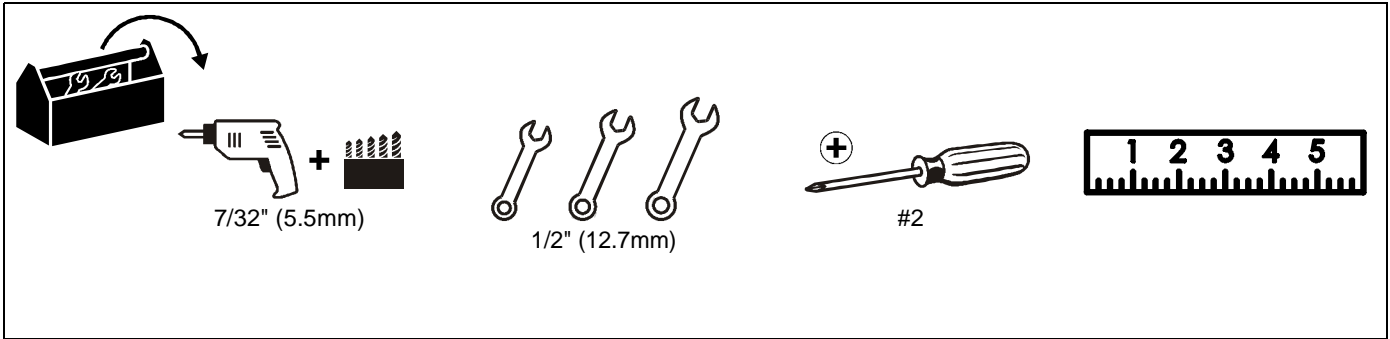
DIMENSIONS



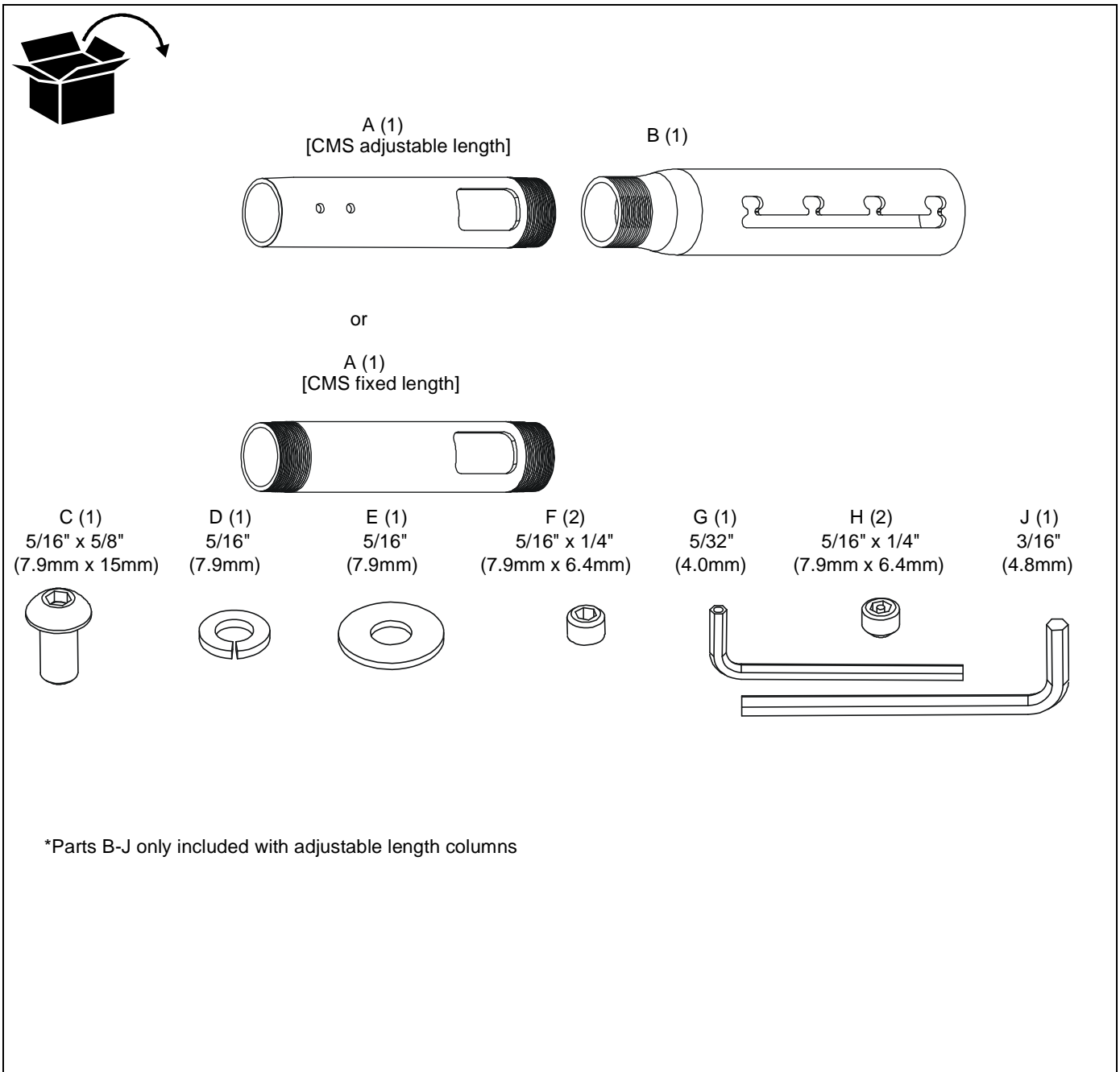
LEGEND

	Tighten Fastener
	Apretar elemento de fijación
	Befestigungsteil festziehen
	Apertar fixador
	Serrare il fissaggio
	Bevestiging vastdraaien
	Serrez les fixations
	By Hand
	A mano
	Von Hand
	Com a mão
	A mano
	Met de hand
	À la main
	Optional
	Opcional
	Optional
	Opcional
	Opzionale
	Optie
	En option
	Security Wrench
	Llave de seguridad
	Sicherheitsschlüssel
	Chave de segurança
	Chiave di sicurezza
	Veiligheidsleutel
	Clé de sécurité
	Hex-Head Wrench
	Llave de cabeza hexagonal
	Sechskantschlüssel
	Chave de cabeça sextavada
	Chiave esagonale
	Zeskantsleutel
	Clé à tête hexagonale

TOOLS REQUIRED FOR INSTALLATION



PARTS



FIXED LENGTH EXTENSION COLUMN

IMPORTANT ! : The following procedure assumes that the ceiling plate/adapter (not included) has been properly installed following instructions provided with ceiling plate/adapter.

NOTE: Intended for use with Chief accessories and mounts.

1. Install 1-1/2" NPT threaded column (A) into plate/adapter (See Figure 1). Securely tighten column.
 - Ensure column (A) engages four full threads into plate/adapter.
 - Ensure cable access opening is rotated to desired position (optional installation).

NOTE: Cable access opening provided on columns 9" or longer (229mm) in length. Optional installation used when cables must exit *below* plate/adapter.

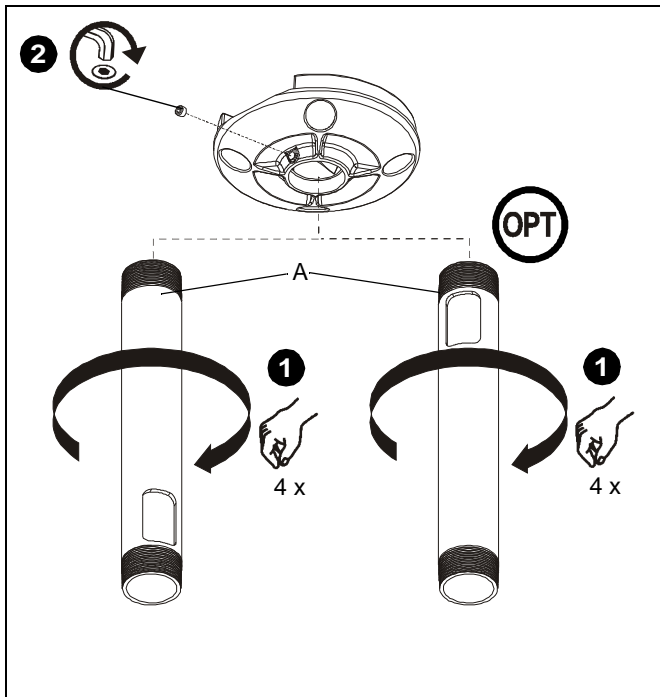


Figure 1

2. Secure column (A) by tightening set screw in plate/adapter (See Figure 1).

NOTE: Hex key and set screw provided with plate/adapter.



WARNING: Exceeding the weight capacity can result in serious personal injury or damage to equipment! It is the installer's responsibility to make sure the combined weight of all components attached to the CMS Series Extension Column does not exceed 500 lbs (226 kg).

- The weight capacity of the CMS Series Extension Column may be LIMITED to the lowest weight capacity of any other component located between the CMS Series Extension Column and the supporting structure!
3. Install and secure projector/display mount (not included) to lower end of column (A) following instructions included with mount.

ADJUSTABLE LENGTH EXTENSION COLUMN

IMPORTANT ! : The following procedure assumes that the ceiling plate/adapter (not included) has been properly installed following instructions provided with ceiling plate/adapter.

NOTE: Intended for use with Chief accessories and mounts.

1. Install 1-1/2" NPT threaded column (A or B, as applicable) into plate/adapter (See Figure 2). Securely tighten column.
 - Ensure column (A or B, as applicable) engages four full threads into plate/adapter.
 - Ensure cable access opening is rotated to desired position (optional installation, column (A)).

NOTE: Cable access opening provided on columns 9" or longer (229mm) in length. Optional installation used when cables must exit below plate/adapter.

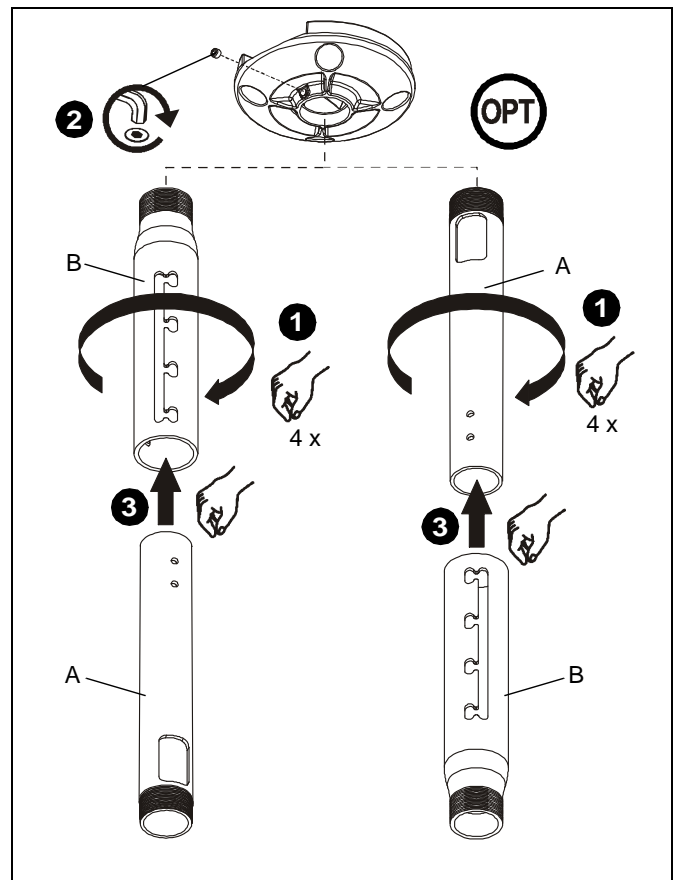


Figure 2

2. Secure column (A or B, as applicable) by tightening set screw in plate/adapter (See Figure 2).

NOTE: Hex key and set screw provided with plate/adapter.

3. Install mating column (A or B, as applicable) (See Figure 2).

- Using key (J), loosely install screw (C) through lock washer (D), flat washer (E), and outer column (B) into adjustment hole in inner column (A) (See Figure 3).

NOTE: Two adjustment holes provided in columns 6" or longer (152mm) in length. Either adjustment hole can be used to provide 1" (25mm) adjustment increments.

NOTE: Optional installation similar; not shown.

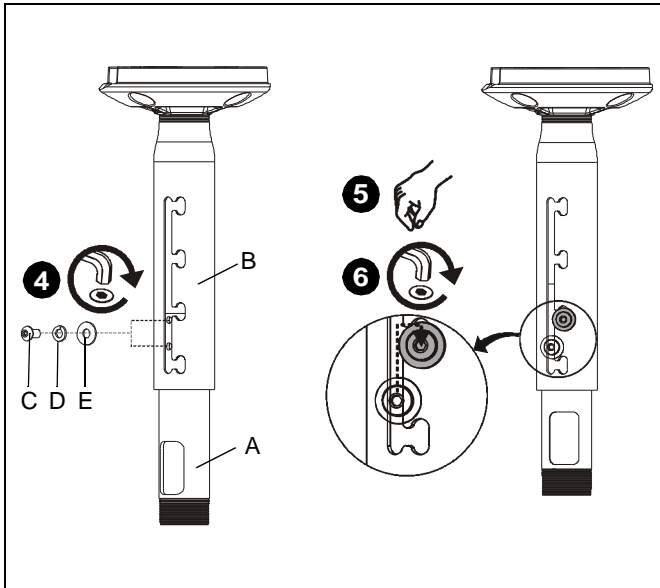


Figure 3

- Adjust column (A or B, as applicable) to desired length, then rotate and lock into position (See Figure 3).

NOTE: Any locking slot can be used to provide 2" (51mm) adjustment increments.

- Tighten screw (C) using key (J) (See Figure 3).

- Install and tighten set screws (standard (F) or security (H), as desired) using key (G) (See Figure 4).

NOTE: Optional installation similar; not shown.

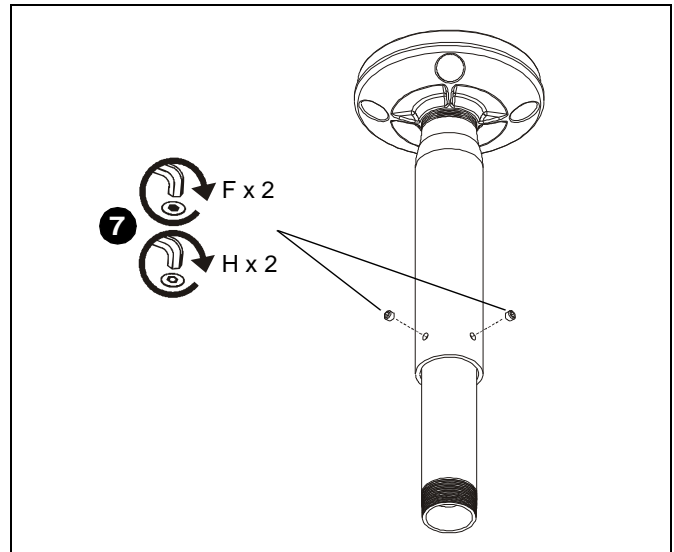


Figure 4



WARNING: Exceeding the weight capacity can result in serious personal injury or damage to equipment! It is the installer's responsibility to make sure the combined weight of all components attached to the CMS Series Extension Column does not exceed 500 lbs (226 kg).

- The weight capacity of the CMS Series Extension Column may be LIMITED to the lowest weight capacity of any other component located between the CMS Series Extension Column and the supporting structure!
- Install and secure projector/display mount (not included) to lower end of column (A or B, as applicable) following instructions included with mount.



**MANUFACTURERS
DECLARATION OF CONFORMITY**
For

Product identification:

Model/type : CMS003, CMS006, CMS008, CMS012, CMS018, CMS024, CMS036, CMS048,
CMS060, CMS072, CMS084 Fixed Length Pipes
Category (description) : Mounting devices, Stands and other Accessories, to be used with entertainment
electronics
Brand : Chief

Manufacturer: CSAV Inc.
8401 Eagle Creek Parkway
Savage, MN 55378

EU Representative: CSAV Inc.
Fellennoord 130 5611
ZB Eindhoven
The Netherlands
31(0)40 2668620

Concerning				
	EMC	Safety		
A sample of the product has been tested by:	Not Applicable	CSAV Inc.		
Test report reference	.			
Applied standards		EN 60065 :2002		

Means of conformity

We declare under our sole responsibility that this product is in conformity with Directive 93/68/EEC (Marking), 98/37/EC (Machinery) 2001/95/EC (Safety) and/or complies to the essential requirements and all other relevant provisions of the based on test results using (non)harmonized standards in accordance with the Directives mentioned



Our Mounts. **Your Vision.**

Chief Manufacturing, a products division of Milestone AV Technologies

8800-002302 Rev01

©2012 Milestone AV Technologies, a Duchossois Group Company

www.chiefmfg.com

12/12

USA/International	A 6436 City West Parkway, Eden Prairie, MN 55344
	P 800.582.6480 / 952.225.6000
	F 877.894.6918 / 952.894.6918
Europe	A Franklinstraat 14, 6003 DK Weert, Netherlands
	P +31 (0) 495 580 852
	F +31 (0) 495 580 845
Asia Pacific	A Office No. 1 on 12/F, Shatin Galleria 18-24 Shan Mei Street Fotan, Shatin, Hong Kong
	P 852 2145 4099
	F 852 2145 4477

