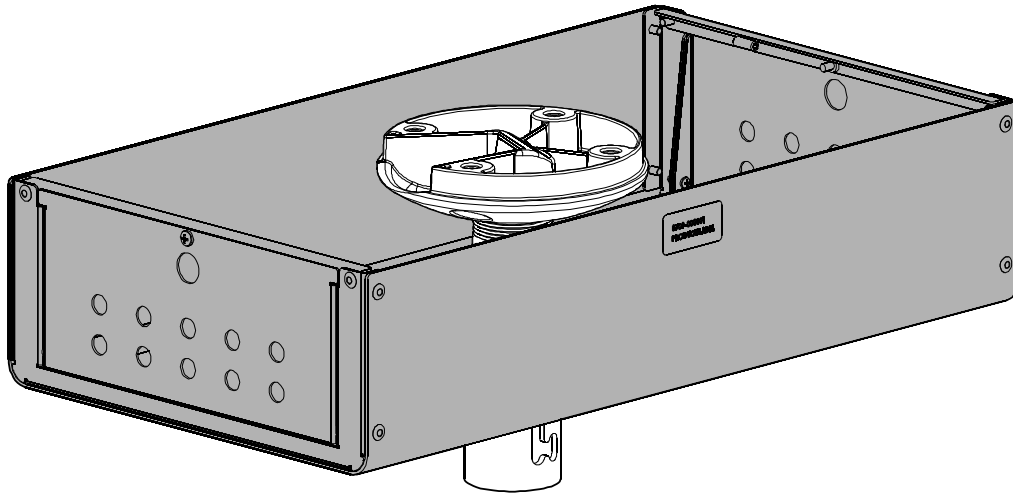

INSTALLATION INSTRUCTIONS



Below Ceiling Enclosure

DISCLAIMER

Milestone AV Technologies and its affiliated corporations and subsidiaries (collectively "Milestone"), intend to make this manual accurate and complete. However, Milestone makes no claim that the information contained herein covers all details, conditions or variations, nor does it provide for every possible contingency in connection with the installation or use of this product. The information contained in this document is subject to change without notice or obligation of any kind. Milestone makes no representation of warranty, expressed or implied, regarding the information contained herein. Milestone assumes no responsibility for accuracy, completeness or sufficiency of the information contained in this document.

Chief® is a registered trademark of Milestone AV Technologies. All rights reserved.

! IMPORTANT WARNINGS AND CAUTIONS!

! WARNING: A WARNING alerts you to the possibility of serious injury or death if you do not follow the instructions.

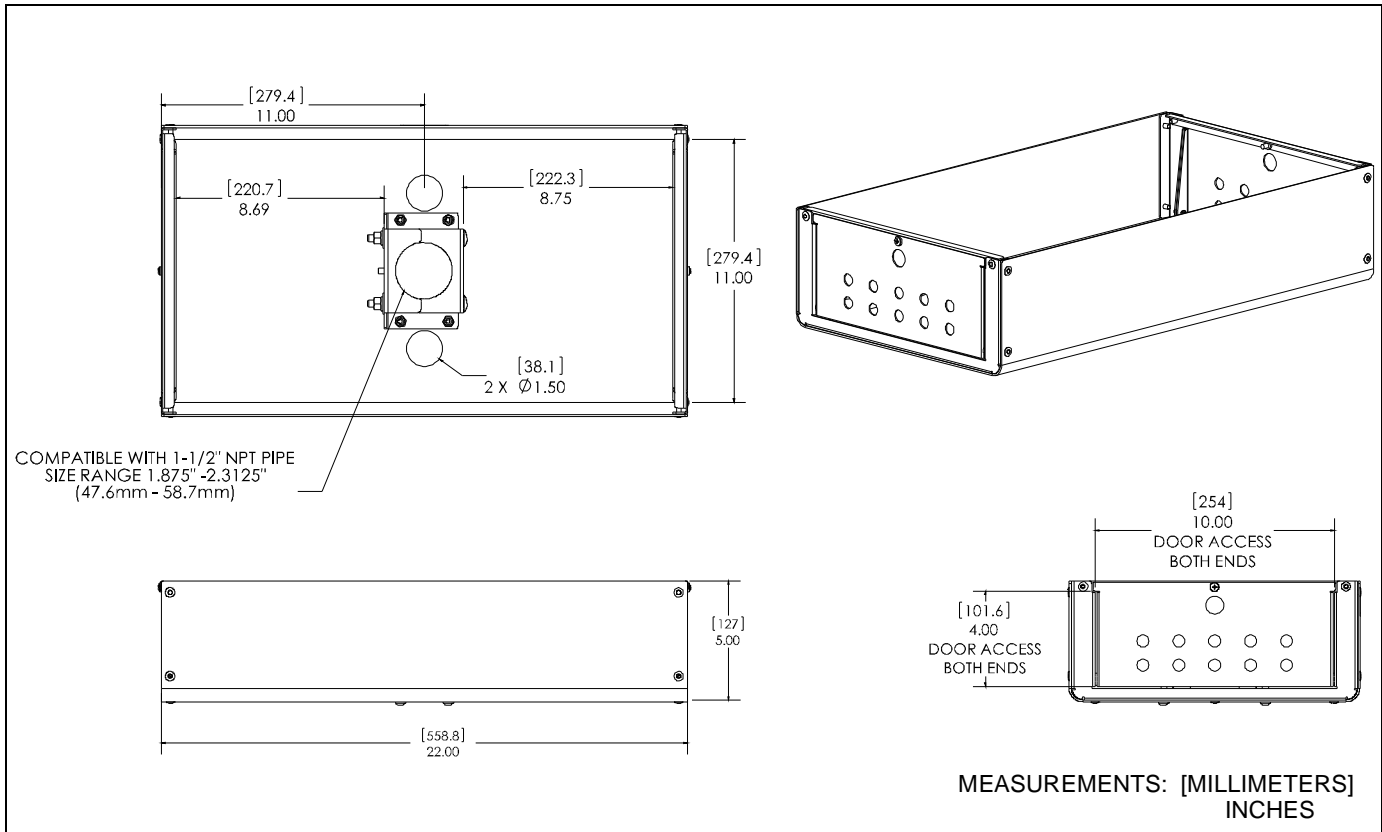
! CAUTION: A CAUTION alerts you to the possibility of damage or destruction of equipment if you do not follow the corresponding instructions.

! WARNING: Failure to read, thoroughly understand, and follow all instructions can result in serious personal injury, damage to equipment, or voiding of factory warranty! It is the installer's responsibility to make sure all components are properly assembled and installed using the instructions provided.

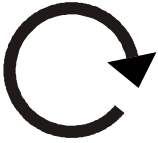

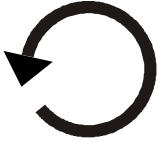


! WARNING: Failure to provide adequate structural strength for this component can result in serious personal injury or damage to equipment! It is the installer's responsibility to make sure the structure to which this component is attached can support five times the combined weight of all equipment. Reinforce the structure as required before installing the component.

! WARNING: Exceeding the weight capacity can result in serious personal injury or damage to equipment! It is the installer's responsibility to make sure the combined weight of all components located in the CMA480 does not exceed 25 lbs (11.3 kg).

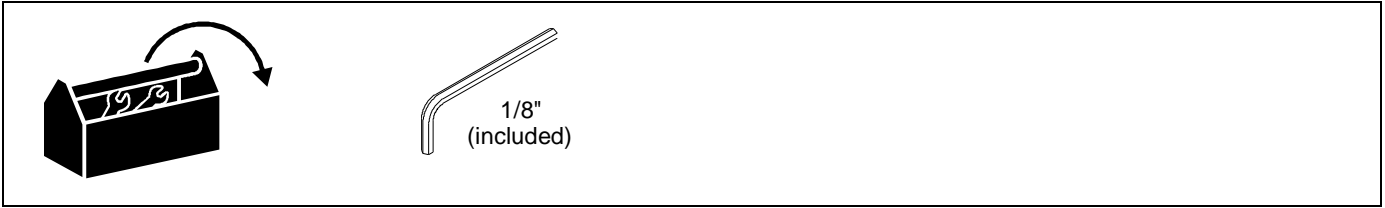
DIMENSIONS



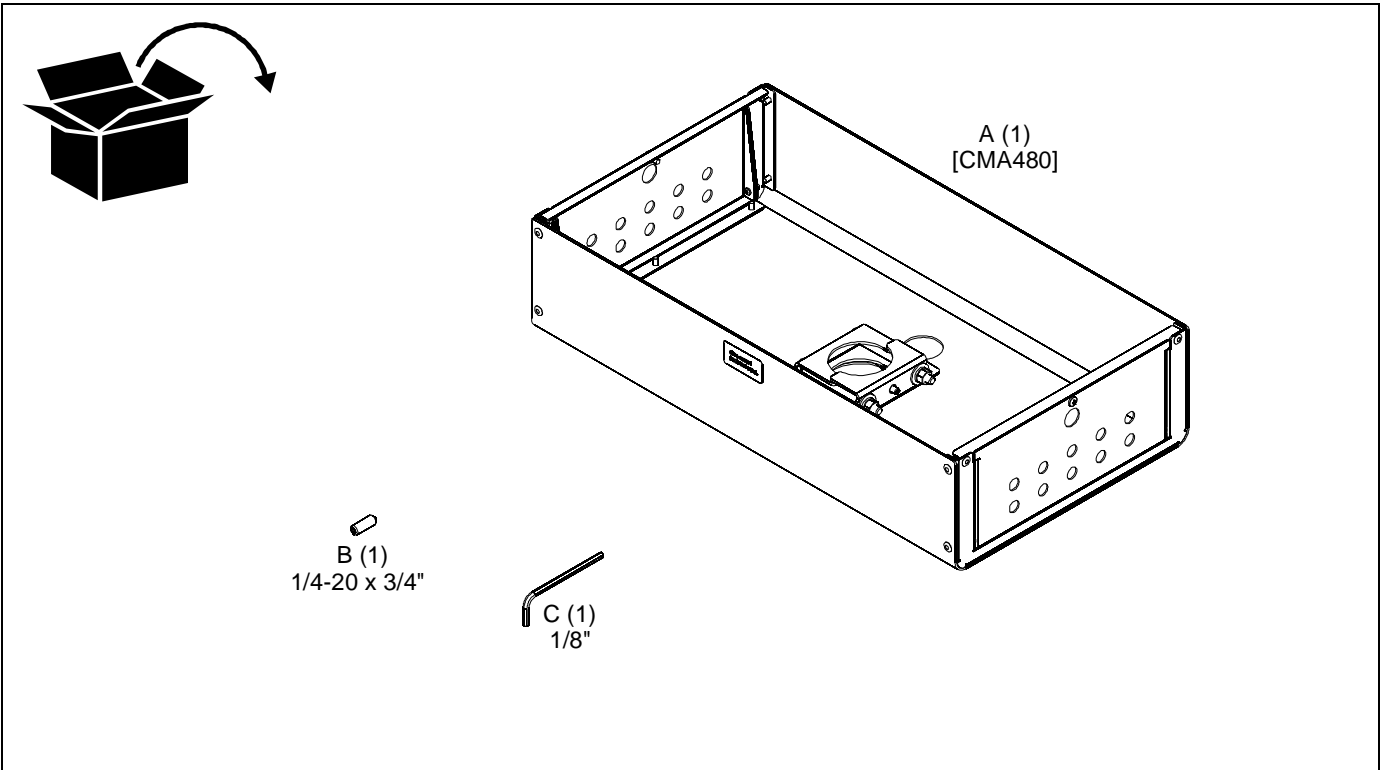
LEGEND

	<table border="1"> <tr><th>Tighten Fastener</th></tr> <tr><td>Apretar elemento de fijación</td></tr> <tr><td>Befestigungsteil festziehen</td></tr> <tr><td>Apertar fixador</td></tr> <tr><td>Serrare il fissaggio</td></tr> <tr><td>Bevestiging vastdraaien</td></tr> <tr><td>Serrez les fixations</td></tr> </table>	Tighten Fastener	Apretar elemento de fijación	Befestigungsteil festziehen	Apertar fixador	Serrare il fissaggio	Bevestiging vastdraaien	Serrez les fixations		<table border="1"> <tr><th>By Hand</th></tr> <tr><td>A mano</td></tr> <tr><td>Von Hand</td></tr> <tr><td>Com a mão</td></tr> <tr><td>A mano</td></tr> <tr><td>Met de hand</td></tr> <tr><td>À la main</td></tr> </table>	By Hand	A mano	Von Hand	Com a mão	A mano	Met de hand	À la main
Tighten Fastener																	
Apretar elemento de fijación																	
Befestigungsteil festziehen																	
Apertar fixador																	
Serrare il fissaggio																	
Bevestiging vastdraaien																	
Serrez les fixations																	
By Hand																	
A mano																	
Von Hand																	
Com a mão																	
A mano																	
Met de hand																	
À la main																	
	<table border="1"> <tr><th>Loosen Fastener</th></tr> <tr><td>Aflojar elemento de fijación</td></tr> <tr><td>Befestigungsteil lösen</td></tr> <tr><td>Desapertar fixador</td></tr> <tr><td>Allentare il fissaggio</td></tr> <tr><td>Bevestiging losdraaien</td></tr> <tr><td>Desserrez les fixations</td></tr> </table>	Loosen Fastener	Aflojar elemento de fijación	Befestigungsteil lösen	Desapertar fixador	Allentare il fissaggio	Bevestiging losdraaien	Desserrez les fixations		<table border="1"> <tr><th>Hex-Head Wrench</th></tr> <tr><td>Llave de cabeza hexagonal</td></tr> <tr><td>Sechskantschlüssel</td></tr> <tr><td>Chave de cabeça sextavada</td></tr> <tr><td>Chiave esagonale</td></tr> <tr><td>Zeskantsleutel</td></tr> <tr><td>Clé à tête hexagonale</td></tr> </table>	Hex-Head Wrench	Llave de cabeza hexagonal	Sechskantschlüssel	Chave de cabeça sextavada	Chiave esagonale	Zeskantsleutel	Clé à tête hexagonale
Loosen Fastener																	
Aflojar elemento de fijación																	
Befestigungsteil lösen																	
Desapertar fixador																	
Allentare il fissaggio																	
Bevestiging losdraaien																	
Desserrez les fixations																	
Hex-Head Wrench																	
Llave de cabeza hexagonal																	
Sechskantschlüssel																	
Chave de cabeça sextavada																	
Chiave esagonale																	
Zeskantsleutel																	
Clé à tête hexagonale																	
	<table border="1"> <tr><th>Open-Ended Wrench</th></tr> <tr><td>Llave de boca</td></tr> <tr><td>Gabelschlüssel</td></tr> <tr><td>Chave de bocas</td></tr> <tr><td>Chiave a punte aperte</td></tr> <tr><td>Steeksleutel</td></tr> <tr><td>Clé à fourche</td></tr> </table>	Open-Ended Wrench	Llave de boca	Gabelschlüssel	Chave de bocas	Chiave a punte aperte	Steeksleutel	Clé à fourche									
Open-Ended Wrench																	
Llave de boca																	
Gabelschlüssel																	
Chave de bocas																	
Chiave a punte aperte																	
Steeksleutel																	
Clé à fourche																	

TOOLS REQUIRED FOR INSTALLATION



PARTS



INSTALLATION



WARNING: Failure to provide adequate structural strength for this component can result in serious personal injury or damage to equipment! It is the installer's responsibility to make sure the structure to which this component is attached can support five times the combined weight of all equipment. Reinforce the structure as required before installing the component.

1. Install ceiling plate following instructions included with the ceiling plate.

NOTE: The ceiling plate may be an above-ceiling model (such as the CMA440), or a standard below-ceiling plate (such as the CMS115).

2. Install extension column following instructions included with the extension column.
3. Remove one screw from door at each end of CMA480. (See Figure 1)

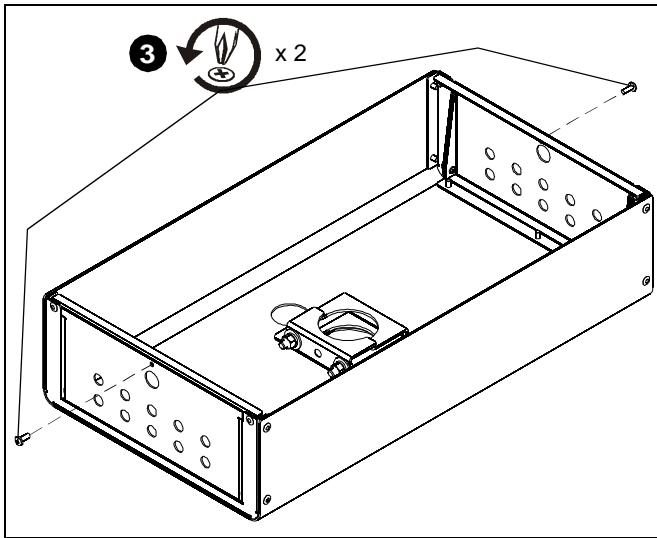


Figure 1

4. Open doors of CMA480. (See Figure 2)

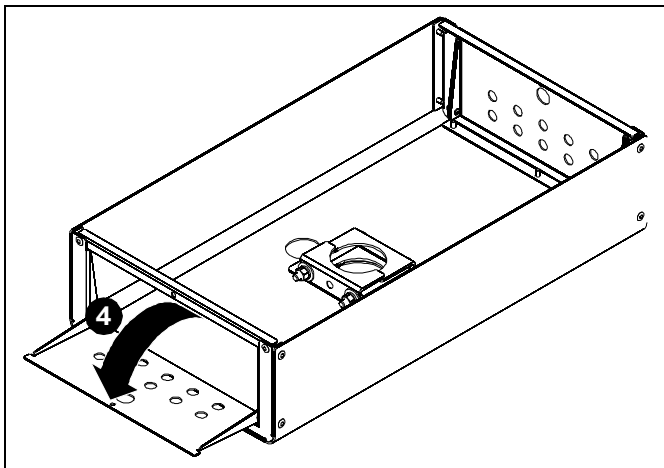


Figure 2

5. Loosen carriage bolts and open clamp bracket. (See Figure 3)

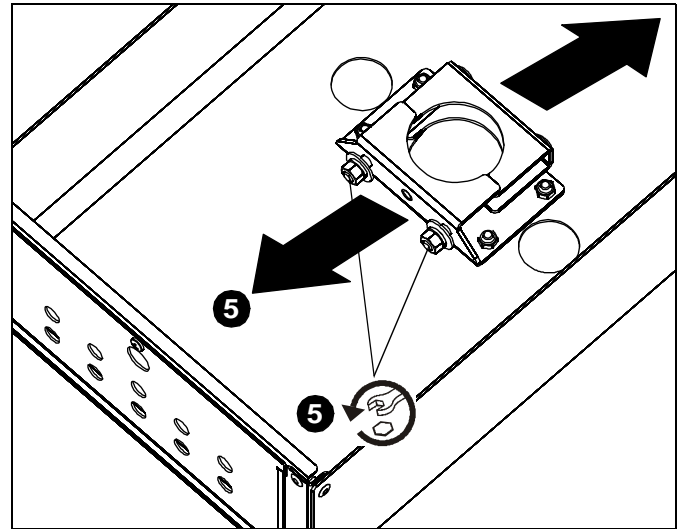


Figure 3

6. Lift CMA480 up and onto extension column, and place CMA480 flush with the ceiling.
7. Tighten clamp bracket around column, and tighten carriage bolts. (See Figure 4)

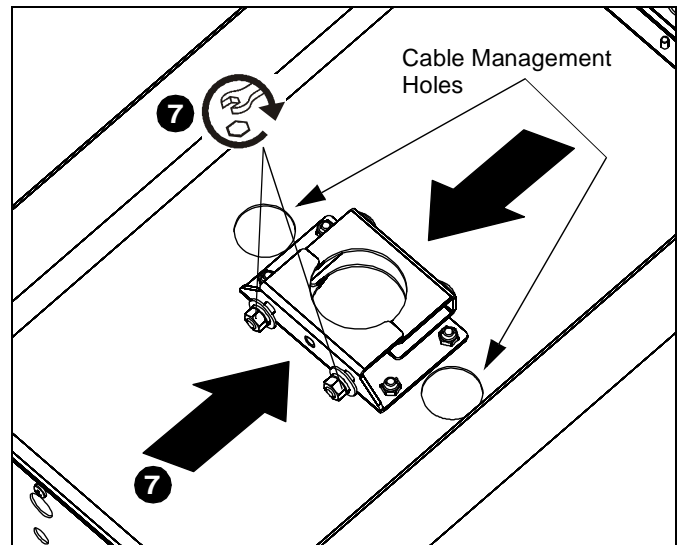


Figure 4

8. Insert one 1/4-20 x 3/4" set screw (B) into CMA480 enclosure clamp, and tighten against extension column. (See Figure 5)

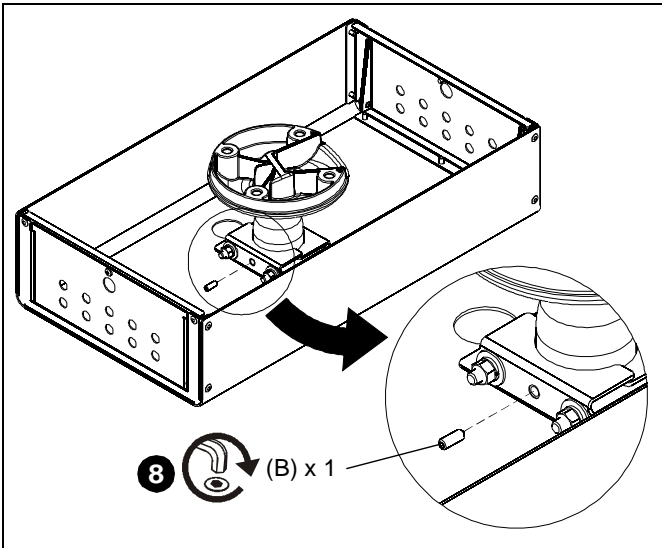


Figure 5

9. Power cords and cables may be run through the cable management holes. (See Figure 4)
10. Close CMA480 door(s) and secure with screw(s) removed in Step 3. (See Figure 6)

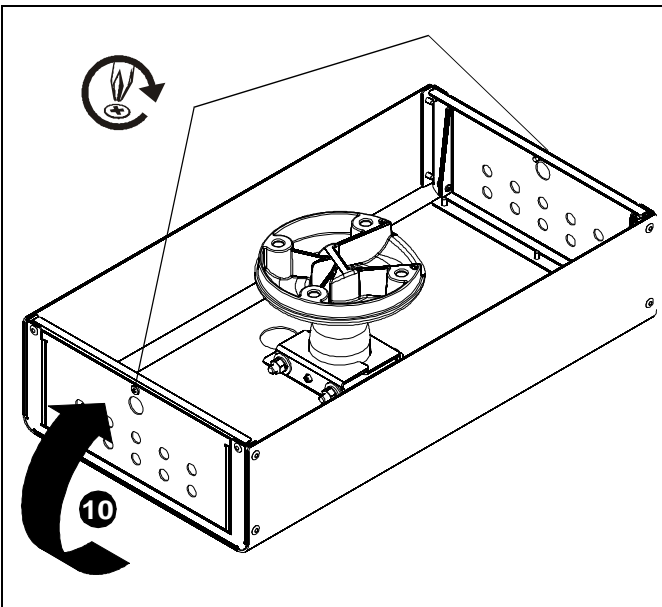


Figure 6



Our Mounts. **Your Vision.**

Chief Manufacturing, a products division
of Milestone AV Technologies

8800-002031 Rev00
©2009 Milestone AV Technologies, a
Duchossois Group Company
www.chiefmfg.com
07/09

USA/International

A 8401 Eagle Creek Parkway, Savage, MN 55378

P 800.582.6480 / 952.894.6280

F 877.894.6918 / 952.894.6918

Europe

A Fellenoord 130 5611 ZB EINDHOVEN, The Netherlands

P +31 (0)40 2668620

F +31 (0)40 2668615

Asia Pacific

A Room 24F, Block D, Lily YinDu International Building
LuoGang, BuJi Town, Shenzhen, CHINA.

深圳市布吉罗岗村百合银都国际大厦D栋24F

P +86-755-8996 9226

F +86-755-8996 9217

