



**Original  
Operating Manual  
One Touch Cordless Vacuum Sealer  
(11301)**



---

**USA Branch**

**CASO Design USA LLC**

[Info@CasoDesignUSA.com](mailto:Info@CasoDesignUSA.com)

[www.CasoDesignUSA.com](http://www.CasoDesignUSA.com)

T.: 908.604.0677

Document-Number: 11301 07-13-2021

Printing and typographical errors reserved.

© 2021 CASO Design USA LLC

---

<b>1</b>	<b>Operating Manual</b>	<b>4</b>
1.1	General	4
1.2	Information in this manual	4
1.3	Limitation of liability	4
1.4	Warning notices	4
1.5	Copyright protection	5
<b>2</b>	<b>Safety</b>	<b>5</b>
2.1	Intended use	5
2.2	Electrical connection	6
2.3	Sources of danger	6
2.3.1	Danger of burns	6
2.3.2	Danger of fire	6
2.3.3	Dangers due to electrical power	7
<b>3</b>	<b>Commissioning</b>	<b>7</b>
3.1	Safety information	7
3.2	Delivery scope and transport inspection	7
3.3	Disposal of the packaging	7
<b>4</b>	<b>Operation and Handling</b>	<b>8</b>
4.1	Overview	8
4.2	LED and battery symbol	8
4.3	Charging the battery	8
4.4	Vacuuming a ZIP-bag	9
4.5	Opening a ZIP-bag	10
4.6	Suitability of the ZIP-bags	10
4.7	Vacuum a canister	10
4.8	Heating and freezing canisters	10
4.9	Opening canisters	11
<b>5</b>	<b>Cleaning and Maintenance</b>	<b>11</b>
5.1	Safety information	11
5.2	Cleaning	11
<b>6</b>	<b>Troubleshooting</b>	<b>12</b>
6.1	Safety notices	12
6.2	Troubleshooting table	12
<b>7</b>	<b>Disposal of the Old Device</b>	<b>13</b>
<b>8</b>	<b>Guarantee</b>	<b>13</b>
<b>9</b>	<b>Technical Data</b>	<b>14</b>

---

# 1 Operating Manual

## 1.1 General

Please read the information contained herein so that you can become familiar with your device quickly and take advantage of the full scope of its functions.

Your One Touch Cordless Vacuum Sealer will serve you for many years if you handle it and care for it properly. We wish you a lot of pleasure in using it!

## 1.2 Information in this manual

These Operating Instructions are a component of One Touch Cordless Vacuum Sealer (referred to hereafter as the device) and provide you with important information for the initial commissioning, safety, intended use and care of the device. The Operating Instructions must be available at all times at the device. This Operating Manual must be read and applied by every person who is instructed to work with the device:

- Commissioning
- Operation
- Troubleshooting and/or
- Cleaning

Keep the Operating Manual in a safe place and pass it on to the subsequent owner along with the device.

## 1.3 Limitation of liability

All the technical information, data and notices with regard to the installation, operation and care are completely up-to-date at the time of printing and are compiled to the best of our knowledge and belief, taking our past experience and findings into consideration.

No claims can be derived from the information provided, the illustrations or descriptions in this manual. The manufacturer does not assume any liability for damages arising as a result of the following:

- Non-observance of the manual
- Uses for non-intended purposes
- Improper repairs
- Technical alterations, modifications of the device
- Use of unauthorized spare parts

Modifications of the device are not recommended and are not covered by the guarantee.

All translations are carried out to the best of our knowledge. We do not assume any liability for translation errors, not even if the translation was carried out by us or on our instructions. The original German text remains solely binding.

## 1.4 Warning notices

The following warning notices are used in the Operating Manual concerned here.

### **Danger**

**A warning notice of this level of danger indicates a potentially dangerous situation.**

If the dangerous situation is not avoided, this can lead to death or serious injuries.

- ▶ Observe the instructions in this warning notice in order to avoid the danger of death or serious personal injuries.

---

## Warning

**A warning notice of this level of danger indicates a possible dangerous situation.**

If the dangerous situation is not avoided, this can lead to serious injuries.

- ▶ Observe the instructions in this warning notice in order to avoid the personal injuries.

## Attention

**A warning notice of this level of danger indicates a possible dangerous situation.**

If the dangerous situation is not avoided, this can lead to slight or moderate injuries.

- ▶ Observe the instructions in this warning notice in order to avoid the personal injuries.

## Please note

A notice of this kind indicates additional information, which will simplify the handling of the device.

## 1.5 Copyright protection

This document is copyright protected. CASO Design USA LLC reserves all the rights, including those for photomechanical reproduction, duplication and distribution using special processes (e.g. data processing, data carriers, data networks), even partially. Subject to content and technical changes.

## 2 Safety

This chapter provides you with important safety notices. Improper use can result in personal or property damages.

### 2.1 Intended use

The hand vacuum sealer is intended for vacuuming zip bags, vacuum canisters or WineLocks (with a connection suitable for the hand vacuum sealer).

The ZIP-bags and vacuum canisters are designed for vacuuming and storing, heating and freezing food.

## Warning

**Danger due to unintended use!** Dangers can emanate from the device if it is used for an unintended use and/or a different kind of use.

- ▶ Use the device exclusively for its intended use.
- ▶ Observe the procedural methods described in this Operating Manual.

Claims of all kinds due to damages resulting from unintended uses are excluded. The User bears the sole risk.

---

## Warning

Please note that changes or modifications of this product is not expressly approved by the party responsible for compliance could void the user's authority to operate the equipment.

## Please note

This equipment has been tested and found to comply with the limits for a Class B digital device, pursuant to Part 15 of the FCC Rules. These limits are designed to provide reasonable protection against harmful interference in a residential installation. This equipment generates, uses and can radiate radio frequency energy and, if not installed and used in accordance with the instructions, may cause harmful interference to radio communications. However, there is no guarantee that interference will not occur in a particular installation. If this equipment does cause harmful interference to radio or television reception, which can be determined by turning the equipment off and on, the user is encouraged to try to correct the interference by one or more of the following measures:

- ▶ Reorient or relocate the receiving antenna.
- ▶ Increase the separation between the equipment and receiver.
- ▶ Connect the equipment into an outlet on a circuit different from that to which the receiver is connected.
- ▶ Consult the dealer or an experienced radio/TV technician for help.

## 2.2 Electrical connection

In order to ensure the safe and trouble-free operation of the device, the following instructions must be observed for the electrical connection:

Before connecting the device, compare the connection data (voltage and frequency) on the rating plate with those of your electrical network. This data must agree in order that no damages occur in the device. If in doubt, ask your qualified electrician.

## 2.3 Sources of danger

### 2.3.1 Danger of burns

## Danger

The sealing bar gets very hot. Please observe the following safety notice in order not to burn yourself or others.

- ▶ To avoid getting burned, never touch the sealing bar directly after sealing process.

### 2.3.2 Danger of fire

## Danger

There is a danger of fire due to the event the device is not used properly. Observe the following safety notices to avoid dangers of fire:

- ▶ Do not set up the device near flammable material.
- ▶ Keep this appliance away from sources of heat (gas, electric, burner, heated oven).

---

### 2.3.3 Dangers due to electrical power

## **Danger** Mortal danger due to electrical power!

**Mortal danger exists when coming into contact with live wires or subassemblies!  
Observe the following safety notices to avoid dangers due to electrical power:**

- ▶ Do not operate this device if it has a damaged cable or plug, if it is not working properly or if it has been damaged or dropped. If the power cable or plug are damaged, then they must be replaced by the manufacturer or its service agent in order to avoid a hazard.
- ▶ Do not open the housing on the device under any circumstances. There is a danger of an electrical shock if live connections are touched and the electrical or mechanical structure is altered. In addition, functional faults on the device can also occur.
- ▶ Before plugging the appliance in or when you operate it, make sure your hands are dry.
- ▶ Do not insert objects into the openings of the device.

## 3 Commissioning

This chapter provides you with important safety notices during the initial commissioning of the device. Observe the following notices to avoid dangers and damages:

### 3.1 Safety information

## **Warning**

**Personal and property damages can occur during commissioning of the device!  
Observe the following safety notice to avoid such dangers:**

- ▶ Packaging materials may not be used for playing. There is a danger of suffocation.

### 3.2 Delivery scope and transport inspection

As a rule, this article is delivered with the following components:

- One Touch Cordless Vacuum Sealer
- 2 1 quart vacu ZIP-Bags (reusable)
- 1 ZIP-Locker
- Operation manual
- 1 glass canister 17 oz
- USB-cable type C

## **Please note**

- ▶ Examine the shipment for its completeness and for any visible damages.
- ▶ Immediately notify the carrier, the insurance and the supplier about any incomplete shipment or damages as a result of inadequate packaging or due to transportation.

### 3.3 Disposal of the packaging

Caso believes in the importance of recycling and has selected packaging materials that not only protect your unit from damage during transit, but can be recycled to minimize any ecological impact. Recycling the packaging materials preserves raw materials and reduces waste. Take any packaging materials that are no longer required to a recycling collection point for proper disposal.



## Please note

- ▶ If possible, keep the original packaging for the device for the duration of the guarantee period of the device, in order that the device can be re-packaged properly in the event of a guarantee claim.

## 4 Operation and Handling

ZIP-bags, vacuum canister or WineLocks can be vacuumed with the hand-held vacuum sealer.

## Warning

**Personal and property damages can occur during commissioning of the device!**  
**Observe the following safety notice to avoid such dangers:**

- ▶ The device must not absorb liquids or powders directly (e.g. water, oil, flour).
- ▶ If you notice that the device is sucking in liquids or powder, stop the vacuum operation immediately by pressing the ON / OFF button.
- ▶ Then let the device run freely without contact with bags or canisters so that the remaining liquid or powder can be pumped out of the pump.
- ▶ Then clean the device.
- ▶ We recommend freezing liquid or soft food before vacuum operation.

### 4.1 Overview

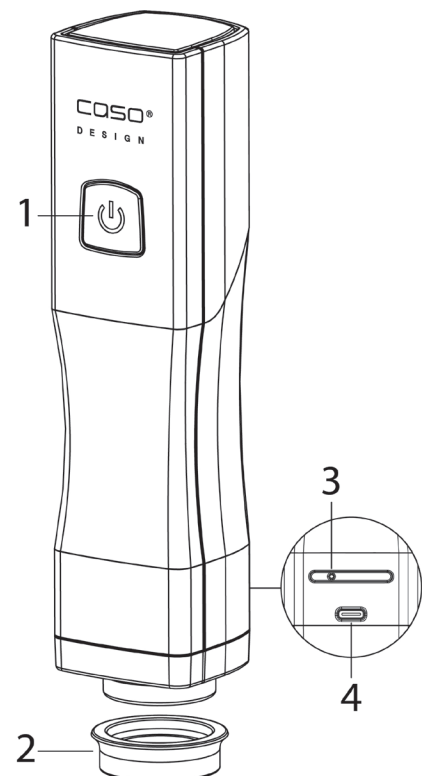
1. ON/OFF button with LED
2. Silicon gasket
3. Air outlet (must not be covered)
4. USB-port type C

### 4.2 LED and battery symbol

1. The LED lights up constantly white during the vacuum operation
2. The device stops the vacuum operation automatically and the white LED switches off.
3. The LED flashes red when the battery is weak and during charging.
4. The LED lights up constantly white as soon as the battery is charged.

### 4.3 Charging the battery

Charge the device at least every 3 to 6 months to ensure optimal battery function. Charge the device fully before using





---

it for the first time. To charge the device connect the USB cable with USB charger and the USB port of the device. The charging process can take about 4 hours.

### **Please note**

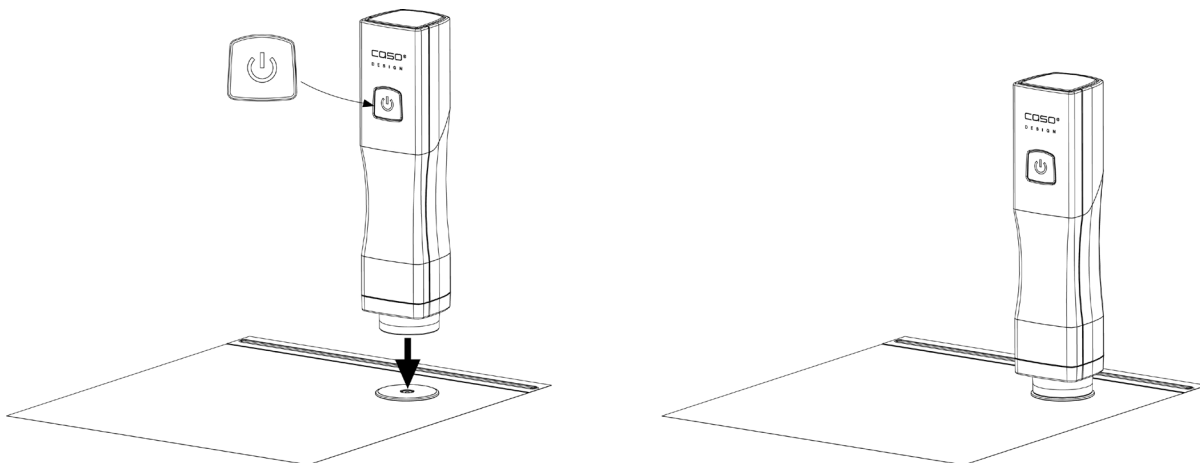
- ▶ If the device is started unintentionally, when you are not performing a vacuum operation, then the device switches itself off after approx. 2 minutes to protect its battery.

#### **4.4 Vacuuming a ZIP-bag**



Put the food in the zip bag. Close the zip bag tightly with the help of a ZIP Locker and check that the zip lock is closed properly.

Place the device on the valve of the bag and gently press it down. Press the ON / OFF button of the device. Then air is withdrawn from the bag.



The vacuum operation is automatically stopped when the vacuum is reached. The vacuum operation can be stopped at any time by pressing the ON / OFF button.

Carefully lift the device sideways from the valve of the bag.

### **Please note**

- ▶ Be careful that the valve and the zip lock are tightly closed.
- ▶ The opening of the ZIP-bag must be completely clean and dry.
- ▶ Be careful that the valve on the inside of the ZIP-bag does not come into contact with the content.
- ▶ Be careful that the food in the bag is approx. 0.8 inch away from the valve.

---

## 4.5 Opening a ZIP-bag

To make it easier to open the bag, pull the vacuum valve on the valve cover to the side so that air can again enter the bag. Carefully open the zip lock and remove the food.

## 4.6 Suitability of the ZIP-bags

The bags are suitable for the freezer, for the dishwasher and they are reusable.

You can heat the bags with their contents in the microwave for a maximum of 12 minutes at 650 W. To do this, open the closure of the ZIP-bag.

The bags are boil-proof for up to 8 hours at 212 °F (suitable for sous vide). Be careful that the valve and the zipper do not come into contact with the water, as otherwise liquid could enter the bag.

## Warning

- ▶ Handle the bags and the food carefully, there is a risk of burns. Use pot holders or something similar if necessary.

## 4.7 Vacuum a canister

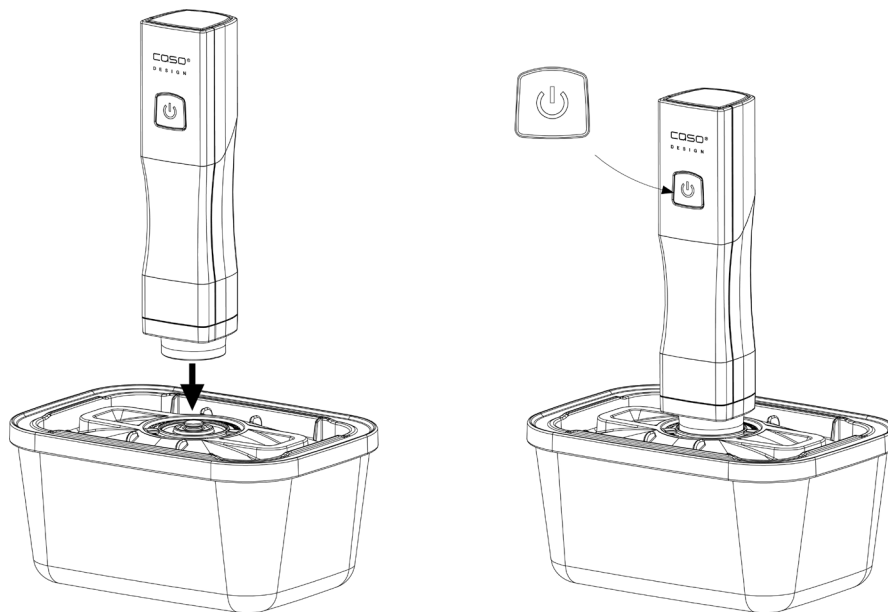
You can also vacuum suitable canisters with the device, e.g. CASO Vacuum Canister Set 3000 (11177).

Fill the canister and leave 1.2 inch free to the upper edge. Place the lid on the canister.

Lightly press down the lid of the canister at the beginning of the vacuum operation.

Place the device at the middle of the valve on the canister lid and press it down slightly.

Press the ON/OFF button of the device and air will be withdrawn from the canister.



## 4.8 Heating and freezing canisters

Without lid these canisters can be used to heat food in the microwave. Without lid, you can also use them to heat food in your oven (up to 662 °F).

---

## Warning

- ▶ Please be careful when handling heated canisters and food, as there is a risk of scalding. Use potholders or similar items as necessary.

You can also use these canisters to freeze food (down to -0.4 °F). When filling, please remember that frozen food can expand.

## Warning

- ▶ Do not use frozen canister in the oven.
- ▶ Also do not clean hot canister with cold/wet damp cloth. Let them cool down.
- ▶ Do not heat the canister directly on fire.

## 4.9 Opening canisters

Push vacuum valve to one side to let air in.

## 5 Cleaning and Maintenance

This chapter provides you with important notices with regard to cleaning and maintaining the device. Please observe the notices to prevent damages due to cleaning the device incorrectly and to ensure trouble-free operation.

### 5.1 Safety information

## Attention

Please observe the following safety notices, before you commence with cleaning the device:

- ▶ Do not clean the device or its components, the canisters or the ZIP-bags with aggressive or abrasive cleaning agents. Do not use solvents.
- ▶ The device and its components as well as the ZIP-bags must be cleaned after each use. Failure to keep these items in a clean condition can result in a dangerous condition, as well as in the growth of fungus and bacteria.
- ▶ Do not scratch off stubborn dirt with hard items.

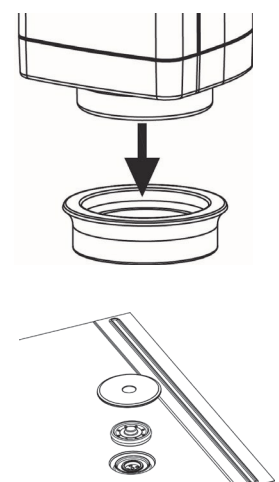
### 5.2 Cleaning

**One Touch Cordless Vacuum Sealer:** Before cleaning disconnect the device from the charger.

Only clean it with a dry soft cloth. The device and its components are not suitable for the dishwasher.

To clean the silicon gasket, remove it from the housing by gently pulling it down. Clean it with warm water and then dry it as well. Then reassemble the device correctly.

**ZIP bag:** You can clean the ZIP bags in warm soapy water or in the dishwasher and then reuse them again.



To clean the valve of the zip bag separately, remove the outer valve cover and the inner silicon part and clean them with warm water. Then carefully dry and assemble them again.

## Attention

- ▶ ZIP bags that were used to store raw meat, fish or fatty foods, or for warming or SousVide cooking, should not be reused.

**Glass canister:** Clean your glass canister before first use and after each use. You can clean the canister and its lids in warm soapy water or in the dishwasher. Dry the parts after cleaning.

## 6 Troubleshooting

This chapter provides you with important notices with regard to operating the device. Observe the following notices to avoid dangers and damages:

### 6.1 Safety notices

#### Attention

- ▶ Only qualified electricians, who have been trained by the manufacturer may carry out any repairs on electrical equipment.
- ▶ Improperly performed repairs may result in personal injury or damage to the device.

### 6.2 Troubleshooting table

Problem	Cause	Solution
The device stops during the vacuum operation and does not switch on again.	The device sucked in liquid or powder..	Do not turn the device over. Shake the device gently to remove powder or liquids. Make sure the device is completely dry. Press the ON / OFF button. Additional liquids may drip out. Repeat this process when the device stops again.
The device does not create vacuum when placed on a canister or the vacuum does not last.	The lid of the canister, the silicon gasket or the valve are positioned incorrectly.	Check that the positioning is correct and that the lid is properly closed.
	The silicon gasket or the valve or the canister are dirty or wet	Clean and dry the silicon gasket and the valve of the canister.
	The device is placed too loosely on the valve.	During vacuum operation press the device slightly on the valve so that no air can escape.
The device does not respond to the ON/OFF button.	The battery of the device is low or not charged.	Charge the battery

---

## Please note

- ▶ If you are unable to solve the problem with the steps shown above, please contact Customer Service.

## 7 Disposal of the Old Device

Old electric and electronic devices frequently still contain valuable materials. However, they also contain damaging substances, which were necessary for their functionality and safety. If these were put in the non-recyclable waste or were handled incorrectly, they could be detrimental to human health and the environment. Therefore, do not put your old device into the non-recyclable waste under any circumstances.



## Please note

- ▶ Utilize the collection point, established in your town, to return and recycle old electric and electronic devices. If necessary, contact your town hall, local refuse collection service or your dealer for information.
- ▶ Ensure that your old device is stored safely away from children until it is taken away.

## 8 Guarantee

### Caso USA WARRANTY

We provide a 12 month guarantee for this product, commencing from the date of sale, for faults which are attributable to production or material faults.

Your legal guarantee entitlements in accordance with § 439 ff. BGB-E remain unaffected by this. The guarantee does not include damages, which were incurred as a result of improper handling or use, as well as malfunctions which only have a minor effect on the function or the value of the device. Consumables, transit damages, inasmuch as we are not responsible for these, as well as damages, which were incurred as a result of any repairs that were not performed by us, are also excluded from the guarantee entitlements.

This device is designed for use in domestic situations and has the appropriate performance levels. Any use in commercial situations is only covered under the guarantee to the extent that it would be comparable with the stresses of being used in a domestic situation. It is not intended for any additional, commercial use.

In the event of justified complaints, we will repair the faulty device at our discretion or replace it with a comparable trouble-free device.

Any pending faults must be reported within 14 days of delivery.

All further claims are excluded.

To enforce a guarantee claim, please contact us prior to returning the device (always provide us with proof of purchase) and after this contact, ship the unit back to Caso USA for repair or replacement at our option.

[Info@CasoDesignUSA.com](mailto:Info@CasoDesignUSA.com)

---

## 9 Technical Data

Device	Hand-held vacuum sealer
Name	One Touch Cordless Vacuum Sealer
Article no.	11301
Connection	5 Vdc; internal battery 1500 mAh
Product dimension inch	1.84 x 1.81 x 7.69"
Gift Box dimension inch	7.01 x 3.39 x 10.47"
Master Carton dimension inch	14.61 x 10.83 x 7.76"
Weight of hand-held vacuum sealer	0.53 lbs



# **Manuel d'utilisation original**

## **One Touch Cordless Vacuum Sealer (11301)**



---

**Succursale USA**

**CASO Design USA LLC**

[info@CasoDesignUSA.com](mailto:info@CasoDesignUSA.com)

[www.CasoDesignUSA.com](http://www.CasoDesignUSA.com)

T. : 908.604.0677

Numéro de document : 11301 07-13-2021

Sous réserve d'erreurs d'impression et de typographie.

© 2021 CASO Design USA LLC



---

<b>10</b>	<b>Manuel d'utilisation .....</b>	<b>18</b>
10.1	Généralités .....	18
10.2	Informations relatives à ce manuel.....	18
10.3	Limite de responsabilités.....	18
10.4	Avis d'avertissement.....	19
10.5	Protection intellectuelle .....	19
<b>11</b>	<b>Sécurité .....</b>	<b>19</b>
11.1	Utilisation conforme.....	20
11.2	Raccordement électrique.....	20
11.3	Sources de danger.....	20
11.3.1	Danger de brûlures .....	20
11.3.2	Danger d'incendie .....	21
11.3.3	Dangers du courant électrique .....	21
<b>12</b>	<b>Mise en service .....</b>	<b>21</b>
12.1	Consignes de sécurité .....	22
12.2	Inventaire et contrôle de transport .....	22
12.3	Élimination des emballages.....	22
<b>13</b>	<b>Opération et manipulation .....</b>	<b>22</b>
13.1	Vue d'ensemble.....	23
13.2	LED et symbole de batterie.....	23
13.3	Recharger la batterie.....	23
13.4	Mise sous vide d'un sachet ZIP .....	24
13.5	Ouverture d'un sachet ZIP .....	24
13.6	Adéquation des sachets ZIP .....	25
13.7	Mise sous vide d'un récipient.....	25
13.8	Chauffage et congélation de récipients.....	25
13.9	Récipient ouvert.....	26
<b>14</b>	<b>Nettoyage et entretien .....</b>	<b>26</b>
14.1	Consignes de sécurité .....	26
14.2	Nettoyage .....	26
<b>15</b>	<b>Dépannage .....</b>	<b>27</b>
15.1	Consignes de sécurité .....	27
15.2	Causes et rectification des défauts .....	27
<b>16</b>	<b>Élimination des appareils usés .....</b>	<b>28</b>
<b>17</b>	<b>Garantie.....</b>	<b>28</b>
<b>18</b>	<b>Données techniques.....</b>	<b>29</b>

---

## 10 Manuel d'utilisation

### 10.1 Généralités

Veillez lire les indications de ce manuel afin de vous familiariser rapidement avec l'appareil et afin de pouvoir utiliser l'ensemble de ses fonctions.

Votre One Touch Cordless Vacuum Sealer vous sera fidèle de nombreuses années si vous l'utilisez et l'entretenez conformément.

Nous vous souhaitons beaucoup de plaisir lors de son utilisation !

### 10.2 Informations relatives à ce manuel

Ce mode d'emploi appartient au One Touch Cordless Vacuum Sealer (nommé par la suite l'appareil) et vous donne des indications importantes pour la mise en service, la sécurité, l'utilisation conforme et l'entretien de l'appareil.

Le mode d'emploi doit être en permanence disponible près de l'appareil. Il doit être lu et mis en application par toute personne effectuant :

- sa mise en service
- sa réparation
- son utilisation,
- et/ou son entretien.

Veillez conserver ce mode d'emploi, et le transmettre au propriétaire suivant de l'appareil.

### 10.3 Limite de responsabilités

Tous les renseignements techniques, données et instructions d'installation, de fonctionnement et d'entretien contenus dans ce manuel sont parfaitement actuels au moment de la publication et tiennent compte de notre expérience réalisée jusqu'ici et de nos connaissances actuelles en toute bonne foi.

Les indications, illustrations et descriptions contenues dans ce manuel ne peuvent donner lieu à aucun recours.

Le constructeur décline toute responsabilité pour les dommages causés par :

- le non respect du mode d'emploi
- des réparations non professionnelles
- des modifications techniques, modifications de l'appareil
- l'utilisation non conforme
- l'utilisation de pièces non autorisées

Les modifications de l'appareil ne sont pas recommandées et ne sont pas couvertes par la garantie.

Les traductions ont été réalisées avec la meilleure fidélité possible. Nous déclinons toute responsabilité pour les erreurs de traduction, même si la traduction a été réalisée par nos soins ou sur notre demande. Seul le texte original en allemand fait force de loi.

---

## 10.4 Avis d'avertissement

Les avertissements suivants sont utilisés dans le manuel d'utilisation concerné ici.

### **Danger**

**Un avis d'alerte de ce niveau de danger indique une situation potentiellement dangereuse.**

Si la situation dangereuse n'est pas évitée, cela peut entraîner la mort ou des blessures graves.

- ▶ Respectez les instructions de cette mise en garde afin d'éviter tout risque de mort ou de blessure grave.

### **Avertissement**

**Un avis d'alerte de ce niveau de danger indique une situation potentiellement dangereuse.**

Si la situation dangereuse n'est pas évitée, cela peut entraîner des blessures graves.

- ▶ Respectez les instructions de cette mise en garde afin d'éviter les dommages corporels.

### **Attention**

**Un avis d'alerte de ce niveau de danger indique une situation potentiellement dangereuse.**

Si la situation dangereuse n'est pas évitée, cela peut entraîner des blessures légères ou modérées.

- ▶ Respectez les instructions de cette mise en garde afin d'éviter les dommages corporels.

### **Remarque**

Un tel avis indique des informations complémentaires qui simplifient la manipulation de la machine.

## 10.5 Protection intellectuelle

Cette documentation est protégée par la loi sur la propriété intellectuelle.

Tous droits de reproduction aussi photomécaniques, de multiplication et de diffusion du texte, dans sa totalité ou en partie, au moyen de processus spéciaux (par exemple informatique, sur support électronique ou en réseau), sont réservés à la Sté. CASO Design USA LLC.

Modifications techniques et de contenu réservées.

## 11 Sécurité

Ce chapitre vous indiquera des consignes de sécurité importantes pour l'utilisation de cet appareil. Une utilisation non conforme peut toutefois entraîner des dommages sur les personnes et matériels.

---

## 11.1 Utilisation conforme

L'appareil de mise sous vide manuel est conçu pour mettre sous vide des sachets ZIP, des conteneurs ou des WineLocks (avec un raccord adapté au système de mise sous vide manuel). Les sachets et les conteneurs sont conçus pour aspirer et stocker, chauffer et congeler les aliments.

### Avertissement

**Danger en cas d'utilisation non conforme !** En cas d'usage non conforme et/ou non approprié l'appareil peut devenir une source de danger.

- ▶ Utiliser l'appareil uniquement de façon conforme.
- ▶ Respecter les procédures décrites dans ce mode d'emploi.

Tout recours en garantie est supprimé en cas de dommages causés par une utilisation non conforme. L'utilisateur est entièrement responsable des risques encourus.

### Avertissement

Veuillez noter que les changements ou les modifications de ce produit qui ne sont pas expressément approuvés par la partie responsable de la conformité peuvent annuler l'autorité de l'utilisateur à utiliser l'équipement.

### Remarque

Cet équipement a été testé et déclaré conforme aux limites d'un appareil numérique de classe B, conformément à la partie 15 des règles de la FCC. Ces limites sont conçues pour fournir une protection raisonnable contre les interférences nuisibles dans une installation résidentielle. Cet équipement génère, utilise et peut émettre de l'énergie de fréquence radio et, s'il n'est pas installé et utilisé conformément aux instructions, peut causer des interférences nuisibles aux communications radio. Il n'y a cependant aucune garantie que des interférences ne se produiront pas dans une installation particulière.

Si cet équipement provoque des interférences nuisibles à la réception de la radio ou de la télévision, ce qui peut être déterminé en éteignant et en allumant l'équipement, l'utilisateur est encouragé à essayer de corriger les interférences par une ou plusieurs des mesures suivantes :

- ▶ Réorienter ou déplacez l'antenne de réception.
- ▶ Augmenter la séparation entre l'équipement et le récepteur.
- ▶ Connecter l'équipement à une prise sur un circuit différent de celui auquel le récepteur est connecté.
- ▶ Consulter le revendeur ou un technicien radio/TV expérimenté pour obtenir de l'aide.

## 11.2 Raccordement électrique

Pour une utilisation de l'appareil sûre et sans panne, il faut observer les indications suivantes pour le raccordement électrique :

Avant de brancher l'appareil il faut comparer les données de raccordement (tension et fréquence) de la plaque signalétique avec celles de votre réseau.

---

Ces données doivent correspondre, afin de ne pas exposer l'appareil à des dégradations.  
En cas de doute renseignez-vous auprès d'un électricien.

## 11.3 Sources de danger

### 11.3.1 Danger de brûlures

#### **Danger**

**La bande de scellage peuvent devenir très chauds. Veuillez respecter la consigne de sécurité suivante pour éviter de vous brûler et de brûler d'autres personnes:**

- ▶ Pour éviter d'éventuelles brûlures, ne touchez jamais la bande de scellage juste après le soudage .

### 11.3.2 Danger d'incendie

#### **Danger**

**En cas d'utilisation non conforme de l'appareil cela peut provoquer un incendie par inflammation du contenu. Pour éviter tout risque d'incendie veuillez observer les consignes de sécurité suivantes :**

- ▶ Ne disposez pas l'appareil à proximité de matériaux inflammables.
- ▶ N'approchez pas l'appareil de sources de chaleur (chauffage à gaz ou électrique, brûleur, four chaud, etc.).

### 11.3.3 Dangers du courant électrique

#### **Danger Danger de mort par électrocution!**

**Danger de mort en cas de contact avec des câbles ou des pièces sous tension !  
Pour éviter les risques d'électrocution veuillez observer les consignes de sécurité suivantes :**

- ▶ L'appareil ne doit pas être mis en marche si le câble électrique ou la prise sont endommagés, s'il ne fonctionne pas correctement ou est tombé ou a été endommagé. Si le câble électrique ou la prise ont été endommagés, ceux-ci doivent être changés par le fabricant ou son service après-vente afin de prévenir tout danger.
- ▶ N'ouvrez en aucun cas le caisson de l'appareil. Il y a danger d'électrocution si on touche des raccords conducteurs électriques et si on modifie la structure électrique et mécanique. Cela peut aussi provoquer des dysfonctionnements de l'appareil.
- ▶ Avant de brancher l'appareil sur le secteur ou de le mettre sous tension, assurez-vous que vos mains sont parfaitement sèches.
- ▶ N'insérez pas d'objets dans les ouvertures de l'appareil.

## 12 Mise en service

Ce chapitre est consacré à des indications importantes concernant la mise en service de l'appareil. Observez les indications pour éviter les dangers et les détériorations.

---

## 12.1 Consignes de sécurité

### Avertissement

**Des dommages personnels et matériels peuvent survenir lors de la mise en service de l'appareil !**

**Respectez l'avis de sécurité suivant pour éviter de tels dangers :**

- ▶ Les matériaux d'emballage ne peuvent pas être utilisés pour jouer. Cela présente un risque de suffocation.

## 12.2 Inventaire et contrôle de transport

Les articles sont livrés en standard avec les composants suivants :

- One Touch Cordless Vacuum Sealer
- Mode d'emploi
- 2 1 quart vacu ZIP-Bags (réutilisable)
- 1 récipient en verre 17 oz
- 1 casier ZIP
- Câble USB TYPE C

### Remarque

- ▶ Vérifier l'intégralité de la livraison et les éventuels défauts visuels.
- ▶ En cas de livraison incomplète ou de dégâts en raison d'un emballage insuffisant ou du transport veuillez en avvertir immédiatement l'expéditeur, l'assurance et le livreur.

## 12.3 Elimination des emballages

Caso croit en l'importance du recyclage et a sélectionné des matériaux d'emballage qui non seulement protègent votre appareil des dommages pendant le transport, mais qui peuvent être recyclés pour minimiser tout impact écologique.



Le recyclage des matériaux d'emballage permet de préserver les matières premières et de réduire les déchets. Emmenez les matériaux d'emballage qui ne sont plus nécessaires à un point de collecte pour le recyclage afin de les éliminer correctement.

### Remarque

- ▶ Veuillez si possible conserver l'emballage original pendant la durée de la garantie de l'appareil afin de pouvoir emballer correctement l'appareil en cas de recours en garantie.

## 13 Opération et manipulation

L'appareil de mise sous vide manuel vous permet de sceller sous vide des sachets ZIP, de conteneur ou des WineLocks.

## Avertissement

- ▶ L'appareil ne doit pas capter directement des liquides ou des poudres (par exemple, de l'eau, de l'huile, de la farine).
- ▶ Si vous remarquez que l'appareil aspire des liquides ou de la poudre, arrêtez immédiatement le processus d'aspiration en appuyant sur le bouton On / Off.
- ▶ Faites ensuite fonctionner l'appareil librement, sans contact avec des sachets ou des conteneurs, afin de permettre l'évacuation de tout liquide ou poudre restant dans la pompe.
- ▶ Nettoyez l'appareil par la suite.
- ▶ Nous recommandons de congeler les aliments liquides ou mous avant de les mettre sous vide.

### 13.1 Vue d'ensemble

1. Bouton marche/arrêt avec LED
2. Joint en silicone
3. Sortie d'air (ne doit pas être couverte)
4. Port USB TYPE C

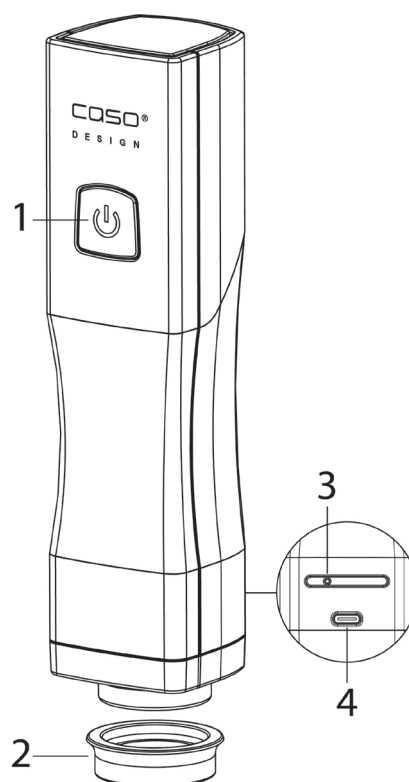
### 13.2 LED et symbole de batterie

1. Pendant le processus de mise sous vide, la LED s'allume en permanence en blanc.
2. L'appareil arrête automatiquement le processus de mise sous vide et la LED blanche s'éteint.
3. La LED clignote en rouge lorsque la batterie est faible et pendant la charge.
4. La LED s'allume en permanence en blanc dès que la batterie est chargée.

### 13.3 Recharger la batterie

Chargez l'appareil au moins tous les 3 à 6 mois pour assurer un fonctionnement optimal de la batterie. Chargez complètement l'appareil avant de l'utiliser pour la première fois.

Connectez le câble USB à un chargeur USB et au port USB de l'appareil pour le charger. Le chargement peut prendre environ 4 heures.



## Remarque

- ▶ Si l'appareil est mis en marche involontairement sans que vous ayez effectué une opération d'aspiration, l'appareil s'éteint à nouveau après environ 2 minutes pour protéger sa batterie.

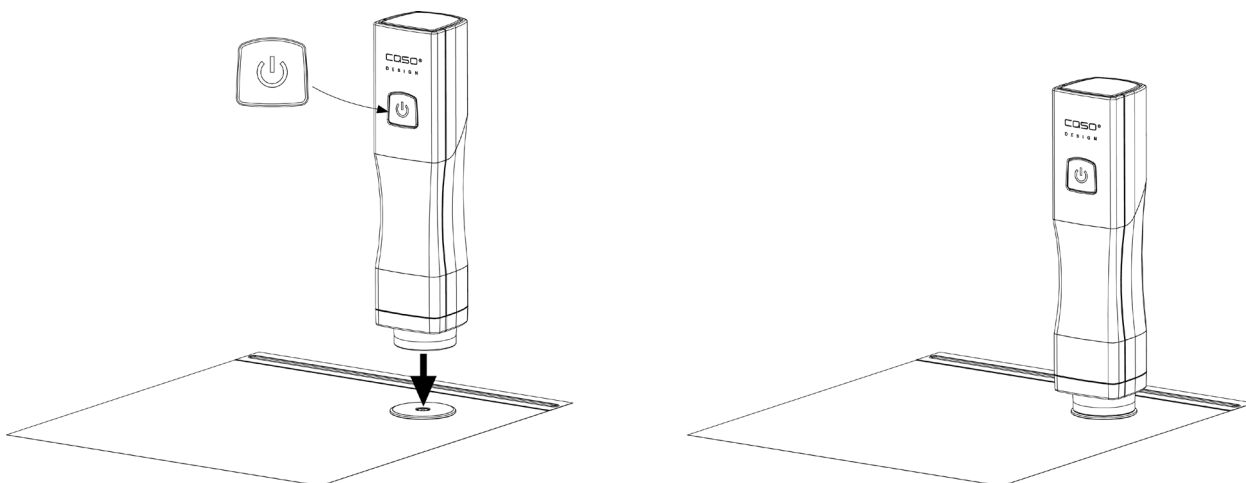
---

## 13.4 Mise sous vide d'un sachet ZIP



Placez la nourriture dans le sachet ZIP. Fermez bien le sachet ZIP à l'aide d'une fermeture éclair et vérifiez que la fermeture éclair est bien fermée.

Placez l'appareil sur la valve du sachet et appuyez légèrement dessus. Appuyez sur le bouton marche/arrêt de l'appareil. L'air est aspiré hors du sac.



Le processus de mise sous vide s'arrête automatiquement lorsque le vide est atteint. Le processus de mise sous vide peut être arrêté à tout moment en appuyant sur le bouton marche/arrêt. Détachez soigneusement l'appareil du sachet en effectuant un mouvement latéral.

### Remarque

- ▶ Assurez-vous que la valve et le bouchon sont bien fermés.
- ▶ L'ouverture du sachet doit être complètement propre et sèche.
- ▶ Veillez à ce que la valve à l'intérieur du sachet n'entre pas en contact avec son contenu.
- ▶ Veillez à ce que les aliments dans le sachet soient à environ 0.8 inch de la valve.

## 13.5 Ouverture d'un sachet ZIP

Pour ouvrir le sachet plus facilement, tirez sur le côté la valve à vide du couvercle de la valve pour permettre à l'air de rentrer à nouveau dans le sac. Ouvrez la fermeture éclair avec précaution et retirez la nourriture.



---

## 13.6 Adéquation des sachets ZIP

Les sachets peuvent être congelés, passés au lave-vaisselle et réutilisés.

Vous pouvez chauffer les sachets avec leur contenu au micro-ondes pendant 12 minutes maximum à 650W. Ouvrez le sachet à cet effet.

Les sachets sont résistants à l'ébullition jusqu'à 8 heures à 212 °F (sous vide approprié). Veillez à ce que la valve et la fermeture éclair n'entrent pas en contact avec l'eau, sinon du liquide pourrait pénétrer dans le sachet.

### Avertissement

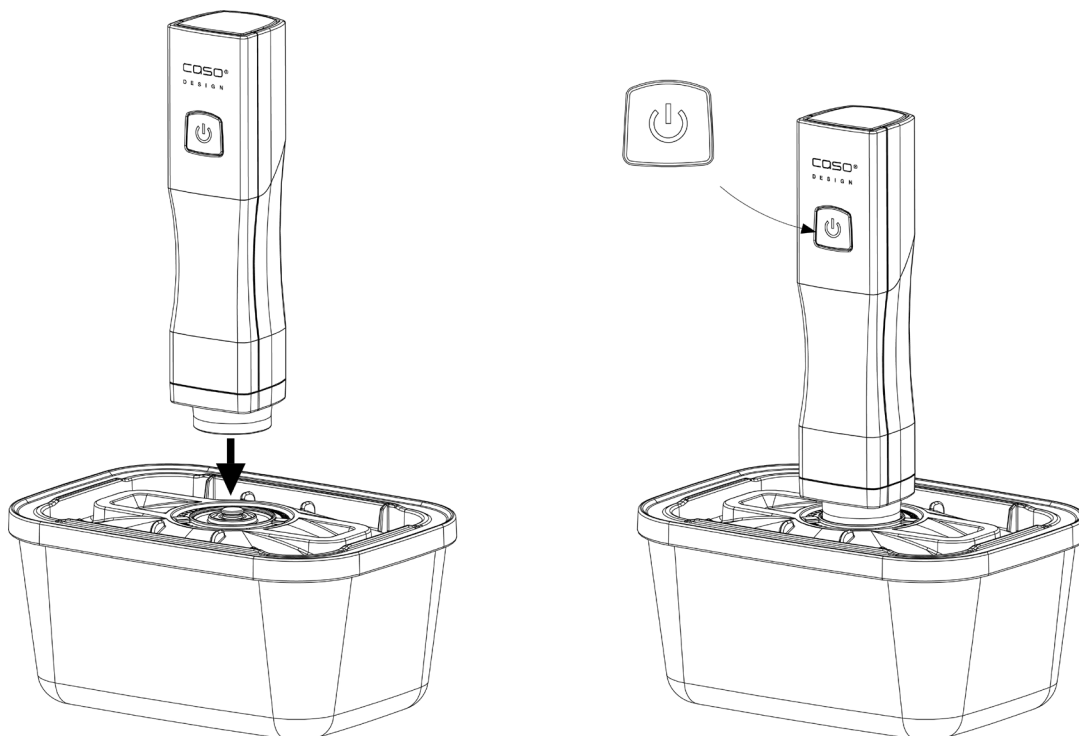
- Manipulez les sachets chauffés et les aliments qui s'y trouvent avec précaution, il y a un risque de brûlures. Utilisez des gants de cuisine ou autres si nécessaire.

## 13.7 Mise sous vide d'un récipient

L'appareil vous permet également de mettre sous vide des récipients appropriés, par exemple CASO Vacuum Canister Set 3000 (11177).

Remplissez le récipient en laissant 1.2 inch de libre jusqu'au sommet. Placez le couvercle sur le récipient. Au début du processus de mise sous vide, appuyez légèrement sur le couvercle du récipient.

Placez l'appareil au centre de la valve du couvercle du récipient et appuyez légèrement. Appuyez sur le bouton marche/arrêt de l'appareil et l'air est aspiré hors du récipient.



## 13.8 Chauffage et congélation de récipients

Les récipients sont adaptés pour réchauffer les aliments au micro-ondes sans couvercle et pour réchauffer les aliments dans le four (jusqu'à 662 °F) sans couvercle.

## Avertissement

- ▶ Manipulez les récipients et les aliments chauffés avec précaution, car il y a un risque de brûlure. Utiliser des maniques ou autres si nécessaire.

Les conteneurs avec couvercle peuvent également être utilisés pour la congélation (jusqu'à -0.4 °F). Lorsque vous remplissez, notez que les aliments congelés peuvent prendre de l'expansion.

## Avertissement

- ▶ Les récipients congelés ne doivent pas être utilisés dans le four.
- ▶ Les récipients chauds ne doivent par ailleurs pas être nettoyés avec un chiffon froid/humide. Laissez-les d'abord se refroidir.
- ▶ Les récipients ne doivent pas être chauffés directement sur une source de feu.

### 13.9 Récipient ouvert

Poussez la valve de vide sur le côté, puis l'air est à nouveau aspiré.

## 14 Nettoyage et entretien

Ce chapitre est consacré à des indications importantes sur le nettoyage et l'entretien de l'appareil. Pour éviter la dégradation de l'appareil par un nettoyage incorrect et pour son bon fonctionnement veuillez observer les conseils ci-dessous.

### 14.1 Consignes de sécurité

#### Attention

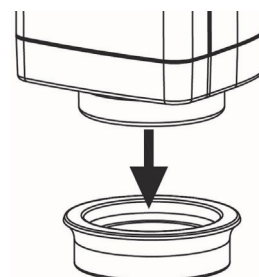
Avant de commencer le nettoyage de l'appareil veuillez observer les consignes de sécurité suivantes :

- ▶ Ne nettoyez pas l'appareil et ses composants, les récipients ou les sachets ZIP avec des produits de nettoyage agressifs ou abrasifs. N'utilisez pas de solvants.
- ▶ L'appareil et ses composants, ainsi que les sachets ZIP, doivent être nettoyés après chaque utilisation. Si ces articles ne sont pas conservés dans un état de propreté adéquat, ils risquent de devenir dangereux et de provoquer une infestation fongique et bactérienne.
- ▶ Ne grattez pas les saletés tenaces avec des objets durs.

### 14.2 Nettoyage

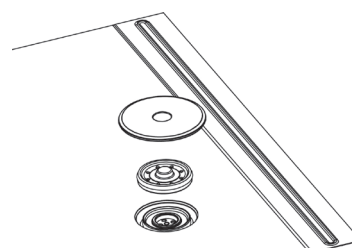
**One Touch Cordless Vacuum Sealer:** Débranchez l'appareil du câble de chargement avant de le nettoyer. Nettoyez-le uniquement avec un chiffon doux et sec. L'appareil et ses composants ne sont pas adaptés au lave-vaisselle.

Pour nettoyer le joint en silicone, retirez-le du boîtier en le tirant doucement vers le bas. Nettoyez-le à l'eau chaude, puis séchez-le bien. Ensuite, remontez l'appareil correctement.



**Les sachets ZIP:** Vous pouvez nettoyer les sachets ZIP à l'eau chaude ou au lave-vaisselle, puis les réutiliser. Nettoyez-les avant la première utilisation et après chaque utilisation.

Pour nettoyer individuellement la valve du sachet ZIP, retirez le couvercle de la valve extérieure et la partie intérieure en silicone et nettoyez-les à l'eau chaude. Séchez bien les pièces et réassemblez-les.



## Attention

- Les sachets ZIP qui ont été utilisés pour conserver de la viande, du poisson ou des aliments gras crus, ou pour réchauffer ou cuire sous vide, ne doivent pas être réutilisés.

### Récipients en verre:

Nettoyez vos récipients en verre avant la première utilisation et après chaque utilisation.

Vous pouvez nettoyer les récipients et les couvercles à l'eau chaude ou au lave-vaisselle. Séchez bien les pièces après les avoir rincées.

## 15 Dépannage

Ce chapitre est consacré à des indications importantes sur le nettoyage et l'entretien de l'appareil. Pour éviter la dégradation de l'appareil par un nettoyage incorrect et pour son bon fonctionnement veuillez observer les conseils ci-dessous.

### 15.1 Consignes de sécurité

## Attention

- Les réparations sur les appareils électriques doivent être effectuées uniquement par des spécialistes agréés par le constructeur.
- Les réparations non professionnelles peuvent provoquer de graves dangers pour l'utilisateur et des dégâts sur l'appareil.

### 15.2 Causes et rectification des défauts

Problème	Cause	Solution
L'appareil s'arrête pendant le processus de mise sous vide et ne se remet pas en marche.	L'appareil a aspiré du liquide ou de la poudre.	Ne retournez pas l'appareil. Secouez doucement l'appareil pour éliminer la poudre ou les liquides. Assurez-vous que l'appareil est complètement sec. Appuyez sur le bouton marche/arrêt. Des liquides supplémentaires peuvent alors s'écouler. Répétez cette procédure lorsque l'appareil s'arrête à nouveau.

Problème	Cause	Solution
L'appareil ne produit pas de vide lorsqu'il est placé sur un récipient, ou le vide ne tient pas.	Le couvercle du récipient à vide, le joint en silicone ou la valve sont mal positionnés.	Vérifiez que le positionnement est correct et que le couvercle est bien fermé.
	Le joint en silicone ou la valve du récipient est sale ou humide.	Nettoyez et séchez le joint en silicone et la valve du récipient.
	L'appareil est trop lâche sur la valve.	Appuyez légèrement l'appareil contre la valve pendant la mise sous vide pour empêcher l'air de s'échapper.
L'appareil ne répond pas au bouton marche/arrêt.	La batterie est faible ou non chargée.	Chargez la batterie.
Les problèmes ci-dessus ne peuvent être résolus.	L'appareil pourrait être défectueux.	Contactez le service clientèle. N'essayez pas de réparer l'appareil vous-même.

## Remarque

- ▶ Si vous ne parvenez pas à résoudre le problème en suivant les étapes indiquées ci-dessus, veuillez contacter le service clientèle.

## 16 Elimination des appareils usés

Les appareils électriques et électroniques contiennent de nombreux matériaux recyclables. Mais ils contiennent également des produits nocifs qui sont indispensables au fonctionnement et à la sécurité.

Ces derniers peuvent être nocifs pour les personnes ou pour l'environnement en cas d'élimination dans les ordures ménagères ou de traitement incorrect. Ne jamais jeter les anciens appareils avec les ordures ménagères.



## Remarque

- ▶ Veuillez apporter votre ancien appareil au centre de recyclage le plus proche pour qu'il soit éliminé en toute sécurité.
- ▶ Jusqu'à ce qu'il puisse être éliminé correctement, rangez votre ancien appareil hors de portée des enfants.

## 17 Garantie

### GARANTIE USA Caso

Nous accordons une garantie de 12 mois sur ce produit, à compter de la date de vente, pour des défauts imputables à des défauts de production ou de matériel.

---

Cette disposition n'affecte pas vos droits à la garantie légale conformément à l'article 439 et suivants du BGB-E (Code civil allemand). Sont exclus de la garantie les dommages résultant d'une manipulation ou d'une utilisation inappropriée, ainsi que les dysfonctionnements qui n'ont qu'une incidence mineure sur le fonctionnement ou la valeur de l'appareil. Les consommables, les dommages liés au transport, dans la mesure où nous n'en sommes pas responsables, ainsi que les dommages résultant de réparations non effectuées par nos soins, sont également exclus de la garantie.

Cet appareil est conçu pour être utilisé dans des situations domestiques et possède les niveaux de performance appropriés. Toute utilisation dans des situations commerciales n'est couverte par la garantie que dans la mesure où elle serait comparable aux contraintes d'une utilisation dans une situation domestique. Il n'est pas destiné à une utilisation commerciale supplémentaire.

En cas de réclamations justifiées, nous réparerons l'appareil défectueux à notre discrétion ou le remplacerons par un appareil comparable ne présentant aucun problème.

Tout défaut en attente doit être signalé dans les 14 jours suivant la livraison.

Toute autre réclamation est exclue.

Pour faire valoir un droit à la garantie, veuillez nous contacter avant de renvoyer l'appareil (toujours nous fournir une preuve d'achat) et après ce contact, renvoyez l'appareil à Caso USA pour réparation ou remplacement, à notre choix.

Info@CasoDesignUSA.com

## 18 Données techniques

Dispositif	Appareil de mise sous vide manuelle
Nom	One Touch Cordless Vacuum Sealer
Numéro d'article	11301
Données de connexion	5 Vdc; batterie interne 1500 mAh
Dimension du produit en pouces	1.84 x 1.81 x 7.69"
Dimension de la boîte à cadeau en pouces	7.01 x 3.39 x 10.47"
Dimension du carton principal en pouces	14.61 x 10.83 x 7.76"
Poids de l'appareil de mise sous vide manuel	0.53 lbs

**CASO**<sup>®</sup>  
D E S I G N

**Original  
Operating Manual  
Vacuum Glass  
Canister Set (11177)**



---

**USA Branch**

**CASO Design USA LLC**

[Info@CasoDesignUSA.com](mailto:Info@CasoDesignUSA.com)

[www.CasoDesignUSA.com](http://www.CasoDesignUSA.com)

T.: 908.604.0677

Document-Number: 11177 07-09-2020

Printing and typographical errors reserved.

© 2020 CASO Design USA LLC

<b>1</b>	<b>Operating Manual</b>	<b>5</b>
1.1	General	4
1.2	Copyright protection	5
1.3	Warning notices	5
<b>2</b>	<b>Safety</b>	<b>4</b>
2.1	Intended use	5
2.2	Delivery scope and transport inspection	5
2.3	Disposal of the packaging	6
<b>3</b>	<b>Vacuum packing canisters</b>	<b>5</b>
3.1	Vacuum packing using vacuum packing devices	7
3.3	Specifying a date	8
3.4	Heating and freezing canisters	8
3.5	Suitable vacuum packing devices	8
3.6	Opening canisters	8
<b>4</b>	<b>Cleaning and Maintenance</b>	<b>8</b>
4.1	Safety information	9
4.2	Cleaning	9
<b>5</b>	<b>Guarantee</b>	<b>8</b>
<b>6</b>	<b>Technical Data</b>	<b>9</b>



---

# 1 Operating Manual

## 1.1 General

To familiarize yourself with your canisters and how to use and clean them, you should please read all the information provided here. You can use these canisters to store a large range of food items to keep them fresh and retain their flavor for longer.

## 1.2 Copyright protection

This document is copyright protected. CASO Design USA LLC. reserves all the rights, including those for photomechanical reproduction, duplication and distribution using special processes (e.g. data processing, data carriers, data networks), even partially. Subject to content and technical changes.

## 1.3 Warning notices

The following warning notices are used in the Operating Manual concerned here.

### **Warning**

**A warning notice of this level of danger indicates a possible dangerous situation.**

If the dangerous situation is not avoided, this can lead to serious injuries.

▶ Observe the instructions in this warning notice in order to avoid the personal injuries.

### **Attention**

**A warning notice of this level of danger indicates a possible dangerous situation.**

If the dangerous situation is not avoided, this can lead to slight or moderate injuries.

▶ Observe the instructions in this warning notice in order to avoid the personal injuries.

### **Please note**

A notice of this kind indicates additional information, which will simplify the handling of the canister.

# 2 Safety

This chapter provides you with important safety notices. Improper use can result in personal or property damages.

---

## 2.1 Intended use

These canisters are designed for vacuum packing, storage, heating and freezing of food.

### Warning

**Danger due to unintended use!** Dangers can emanate from the device if it is used for an unintended use and/or a different kind of use.

- ▶ Use the canisters exclusively for its intended use.
- ▶ Observe the procedural methods described in this Operating Manual.
- ▶ Check the containers for visible external damage before use and do not use a damaged container.
- ▶ Observe the procedural methods described in this Operating Manual.

Claims of all kinds due to damages resulting from unintended uses are excluded.

The User bears the sole risk.

## 2.2 Delivery scope and transport inspection

As a rule, this article is delivered with the following components:

- 2 squared glass container 17 oz / 500 ml
- 1 squared glass container 50 oz / 1500 ml
- 1 vacuum hose with adapter
- Operation manual

### Please note

- ▶ Examine the shipment for its completeness and for any visible damages.
- ▶ Immediately notify the carrier, the insurance and the supplier about any incomplete shipment or damages as a result of inadequate packaging or due to transportation.

## 2.3 Disposal of the packaging

Caso believes in the importance of recycling and has selected packaging materials that not only protect your unit from damage during transit, but can be recycled to minimize any ecological impact. Recycling the packaging materials preserves raw materials and reduces waste. Take any packaging materials that are no longer required to a recycling collection point for proper disposal.



### Please note

- ▶ If possible, keep the original packaging for the device for the duration of the guarantee period of the device, in order that the device can be re-packaged properly in the event of a guarantee claim.

## 3 Vacuum packing canisters

Fill canister leaving 1.2" free space at the top. Close canister with the lid. Slightly press down the canister lid when starting the vacuum packing process.

There are two ways of vacuum packing these canisters as follows:

---

### 3.1 Vacuum packing using vacuum packing devices

Our Vacuum Glass Canister Set can be vacuum packed with all commercially available vacuum packing devices with a hose connector. To do so, please connect the vacuum hose to the device and the adapter to the vacuum canister valve.



**For an optimal vacuum, please make sure that all components are firmly attached to the following points during the vacuuming process:**

- Connection of vacuum hose at the vacuum sealer (1)
- Adapter at valve on lid of canister (2)

#### **Please note**

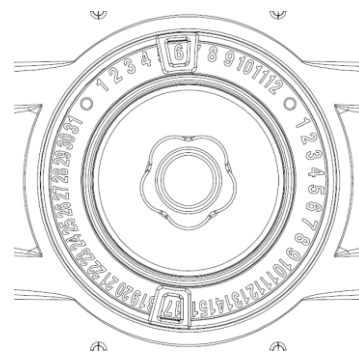
- ▶ When using a chamber vacuum packing device, canisters only require 5 seconds to become sufficiently evacuated. Please abort the vacuum packing process early to ensure your canister is not damaged. Please proceed with caution to prevent damage!

---

### 3.3 Specifying a date

You can use the date indicator of your Vacuum Glass Canister Set to mark it with a date, for instance to “use by”, or the day it was vacuum packed.

Set the first arrows to the corresponding day (1 - 31) and the second arrow to the month (1 - 12).



### 3.4 Heating and freezing canisters

Without lid these canisters can be used to heat food in the microwave. Without lid, you can also use them to heat food in your oven (up to 662 °F / 350 °C).

#### Warning

##### Risk of scalding!

- ▶ Please be careful when handling heated canisters and food, as there is a risk of scalding. Use potholders or similar items as necessary.

You can also use these canisters to freeze food (down to -0.4 °F / -18 °C). When filling, please remember that frozen food can expand.

#### Warning

##### Risk of injury!

- ▶ Do not use frozen canister in the oven.
- ▶ Also do not clean hot canister with cold/wet damp cloth. Let them cool down.
- ▶ Do not heat the canister directly on fire.

### 3.5 Suitable vacuum packing devices

Our excellent vacuum packing devices are particularly well suited for use with your CASO Vacuum Glass Canister Set.

### 3.6 Opening canisters

Push vacuum valve to one side to let air in.

## 4 Cleaning and Maintenance

This chapter provides you with important notices with regard to cleaning and maintaining the device. Please observe the notices to prevent damages due to cleaning the device incorrectly and to ensure trouble-free operation.

---

## 4.1 Safety information

### Attention

Please observe the following safety notices, before you commence with cleaning the device:

- ▶ The item must be cleaned after each vacuuming process.. If the device is not maintained in a clean condition, can also result in a dangerous condition in the device as well as in the growth of fungus and bacteria.
- ▶ Do not use any aggressive or abrasive cleaning agents or solvents.
- ▶ Do not scrape off stubborn dirt with hard items.

## 4.2 Cleaning

Prior to first use and after each use, you should clean your Vacuum Glass Canister and the lids. You can do so using warm dishwater or your dishwasher. Rinse vacuum packing hose and lid under running water. Clean adapter with a damp cloth. Make sure to dry all parts well after washing them.

## 5 Guarantee

### 12 Months Limited Warranty

Caso Design USA warrants that for a period of 12 months from the date of purchase, this product will be free from defects in material and workmanship. Caso Design USA at its option, will repair or replace this product or any component of the product found to be defective during the warranty period. Replacement will be made with a new or remanufactured product or component. If the product is no longer available, replacement may be made with a similar product of equal or greater value. This is your exclusive warranty. DO NOT attempt to repair or adjust any electrical or mechanical functions on this product. Doing so will void this warranty.

This warranty is valid for the original retail purchaser from the date of the initial retail purchase and is not transferable. Keep the original sales receipt. Proof of purchase is required to obtain warranty performance.

This limited warranty does not cover normal wear of parts or damage resulting from any of the following: negligent use or misuse of the product, use on improper voltage or current, use contrary to the operating instructions, disassembly, repair or alteration by anyone other than Caso Design USA service center. Further this limited warranty does not cover: Acts of God, such as fire, flood, hurricanes and tornadoes.

### What are the limits on Caso Design USA's Liability?

Caso Design USA shall not be liable for any incidental or consequential damages caused by the breach of any express, implied or statutory warranty or condition.

Except to the extent prohibited by applicable law, any implied warranty or condition of merchantability or fitness for a particular purpose is limited in duration to the duration of the above warranty.

Caso Design USA disclaims all other warranties, conditions, or representations, express implied, statutory or otherwise.

---

Caso Design USA shall not be liable for any damages of any kind resulting from the purchase, use or misuse of, or inability to use the product including incidental, special, consequential or similar damages or loss of profits, or for any breach of contract, fundamental or otherwise, or for any claim brought against purchaser by any other party.

Some provinces, states or jurisdictions do not allow the exclusion or limitation of the incidental or consequential damages or limitations on how long an implied warranty lasts, so the above limitations or exclusions may not apply to you.

This warranty gives you specific legal rights, and you may also have other rights that vary from province to province, state to state, or jurisdiction to jurisdiction.

## 6 Technical Data

Device	Vacuum glass canister set
Name	VG 3000
Item No.	11177
Net Weight	4.63lbs
Master Carton Gross Weight	10.14lbs
Product dimension (WXHxD) inch	2 x 17oz, 1 x 50oz
Giftbox dimension (WXHxD) inch	9.06"x6.30"x7.24"
Master Carton dimension (WXHxD) inch	13.19"x9.65"x8.27"

---

**CASO**<sup>®</sup>  
DESIGN

# **Manuel d'utilisation original**

**Ensemble de boîtes  
en verre sous vide (11177)**



---

**Succursale USA**

**CASO Design USA LLC**

[Info@CasoDesignUSA.com](mailto:Info@CasoDesignUSA.com)

[www.CasoDesignUSA.com](http://www.CasoDesignUSA.com)

T. : 908.604.0677

Numéro de document : 11392 07-09-2020

Sous réserve d'erreurs d'impression et de typographie.

© 2020 CASO Design USA LLC



---

<b>7</b>	<b>Manuel d'utilisation.....</b>	<b>15</b>
7.1	Généralités .....	13
7.2	Protection intellectuelle .....	15
7.3	Avertissements de danger .....	15
<b>8</b>	<b>Sécurité .....</b>	<b>14</b>
8.1	Utilisation conforme.....	15
8.2	Inventaire et contrôle de transport .....	15
8.3	Élimination des emballages.....	16
<b>9</b>	<b>Mise sous vide des récipients .....</b>	<b>15</b>
9.1	Mise sous vide avec un équipement à vide .....	17
9.2	Mise sous vide avec une pompe à main .....	17
9.3	Précisez la date.....	18
9.4	Chauffage et congélation de récipients .....	18
9.5	Équipement de mise sous vide approprié .....	18
9.6	Récipient ouvert.....	18
<b>10</b>	<b>Nettoyage et entretien .....</b>	<b>18</b>
10.1	Consignes de sécurité .....	19
10.2	Nettoyage .....	19
<b>11</b>	<b>Garantie.....</b>	<b>18</b>
<b>12</b>	<b>Données techniques.....</b>	<b>9</b>

---

## 7 Manuel d'utilisation

### 7.1 Généralités

Lisez les informations contenues ici pour vous familiariser rapidement avec vos récipients, leur utilisation et leur nettoyage. Vous pouvez entreposer une variété d'aliments dans les récipients et les garder frais et savoureux plus longtemps.

### 7.2 Protection intellectuelle

Cette documentation est protégée par la loi sur la propriété intellectuelle.

Tous droits de reproduction aussi photomécaniques, de multiplication et de diffusion du texte, dans sa totalité ou en partie, au moyen de processus spéciaux (par exemple informatique, sur support électronique ou en réseau), sont réservés à la Sté. Braukmann GmbH. Modifications techniques et de contenu réservées.

### 7.3 Avertissements de danger

Dans le présent mode d'emploi vous pourrez trouver les avertissements suivants :

#### **Avertissement**

**Un avis d'alerte de ce niveau de danger indique une situation potentiellement dangereuse.**

Si la situation dangereuse n'est pas évitée, cela peut entraîner des blessures graves.

► Respectez les instructions de cette mise en garde afin d'éviter les dommages corporels.

#### **Attention**

**Un avis d'alerte de ce niveau de danger indique une situation potentiellement dangereuse.**

Si la situation dangereuse n'est pas évitée, cela peut entraîner des blessures légères ou modérées.

► Respectez les instructions de cette mise en garde afin d'éviter les dommages corporels.

#### **Remarque**

Cette indication est accompagnée d'informations complémentaires qui facilitent la manipulation des conteneurs.

## 8 Sécurité

Ce chapitre vous indiquera des consignes de sécurité importantes.

---

## 8.1 Utilisation conforme

Ces conteneurs sont conçus pour la mise sous vide et le stockage, le chauffage et la congélation de denrées alimentaires.

### Avertissement

**Danger en cas d'utilisation non conforme !** En cas d'usage non conforme et/ou non approprié l'appareil peut devenir une source de danger.

- ▶ Utiliser les récipients exclusivement pour l'usage auquel ils sont destinés.
- ▶ Respecter les procédures décrites dans ce mode d'emploi.
- ▶ Vérifier que les récipients ne présentent pas de dommages visibles avant l'utilisation. Ne pas utiliser de récipients endommagés.

Tout recours en garantie est supprimé en cas de dommages causés par une utilisation non conforme. L'utilisateur est entièrement responsable des risques encourus.

## 8.2 Inventaire et contrôle de transport

Les articles sont livrés en standard avec les composants suivants :

- 2 Récipient en verre carré 17 oz / 500 ml
- 1 Récipient en verre carré 50 oz / 1500 ml
- 1 tuyau d'aspiration avec l'adaptateur
- Manual d'utilisation

### Remarque

- ▶ Vérifier l'intégralité de la livraison et les éventuels défauts visuels.
- ▶ En cas de livraison incomplète ou de dégâts en raison d'un emballage insuffisant ou du transport veuillez en avvertir immédiatement l'expéditeur, l'assurance et le livreur.

## 8.3 Elimination des emballages

Caso croit en l'importance du recyclage et a sélectionné des matériaux d'emballage qui non seulement protègent votre appareil des dommages pendant le transport, mais qui peuvent être recyclés pour minimiser tout impact écologique.



Le recyclage des matériaux d'emballage permet de préserver les matières premières et de réduire les déchets. Emmenez les matériaux d'emballage qui ne sont plus nécessaires à un point de collecte pour le recyclage afin de les éliminer correctement.

### Remarque

- ▶ Veuillez si possible conserver l'emballage original pendant la durée de la garantie de l'appareil afin de pouvoir emballer correctement l'appareil en cas de recours en garantie.

## 9 Mise sous vide des récipients

Remplissez le récipient et laissez 1.2" libres jusqu'au bord supérieur. Placez le couvercle sur le récipient. Appuyez légèrement sur le couvercle du récipient au début du processus de mise sous vide. Il y a deux façons d'aspirer les récipients, comme vous pouvez le lire ci-dessous :

## 9.1 Mise sous vide avec un équipement à vide

L'ensemble de boîtes en verre sous vide peuvent être mis sous vide à l'aide de tous les appareils à vide disponibles dans le commerce avec raccord de tuyau. Raccordez tuyau d'aspiration à l'appareil et place l'adaptateur sur la valve du récipient à vide.



**Pour une mise sous vide optimale, veuillez vous assurer que tous les composants sont bien en place aux points suivants pendant le processus de mise sous vide :**

- Raccordement à l'unité de vide (1)
- l'adaptateur sur la valve du couvercle de la boîte (2)

### Remarque

► Dans l'aspirateur à chambre, les récipients n'ont besoin que 5 secondes pour être suffisamment mis sous vide. Arrêter le processus de mise sous vide à l'avance pour éviter d'endommager les récipients. Procédez avec précaution pour éviter tout dommage !

## 9.2 Mise sous vide avec une pompe à main



Vous pouvez également aspirer les récipients avec la pompe à main Caso. Placez la pompe à main au centre de la valve du couvercle du récipient et pompez de l'air jusqu'à ce que vous sentiez une résistance (petits récipients environ 15-20, grands récipients environ 30-35 coups de pompe).

### Remarque

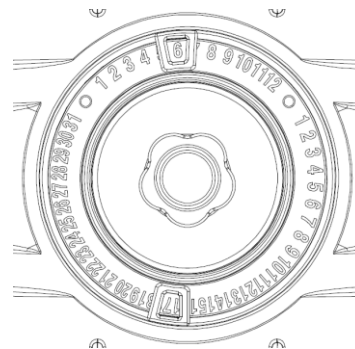
► Lors du pompage, n'exercez pas trop de pression sur le couvercle du récipient, ne vous appuyez pas dessus. Une pression extrême peut endommager le couvercle du récipient.

---

### 9.3 Précisez la date

Sur l'affichage de la date sur votre ensemble de boîtes en verre sous vide, vous pouvez, par exemple, régler une date de consommation ou le jour de la mise sous vide.

Régalez la première flèche au jour (1 - 31) et la deuxième flèche au mois (1 - 12).



### 9.4 Chauffage et congélation de récipients

Les récipients sont adaptés pour réchauffer les aliments au micro-ondes sans couvercle et pour réchauffer les aliments dans le four (jusqu'à 662 °F / 350 °C) sans couvercle.

#### **Avertissement**

##### **Risque de brûlures !**

- ▶ Manipulez les récipients et les aliments chauffés avec précaution, car il y a un risque de brûlure. Utiliser des maniques ou autres si nécessaire.

Les conteneurs avec couvercle peuvent également être utilisés pour la congélation (jusqu'à -0.4 °F / -18 °C). Lorsque vous remplissez, notez que les aliments congelés peuvent prendre de l'expansion.

#### **Avertissement**

##### **Risque de blessure !**

- ▶ Les récipients congelés ne doivent pas être utilisés dans le four.
- ▶ Les récipients chauds ne doivent par ailleurs pas être nettoyés avec un chiffon froid/humide. Laissez-les d'abord se refroidir.
- ▶ Les récipients ne doivent pas être chauffés directement sur une source de feu.

### 9.5 Équipement de mise sous vide approprié

Nos excellents aspirateurs sont particulièrement appropriés pour l'ensemble de boîtes en verre sous vide.

### 9.6 Récipient ouvert

Poussez la valve de vide sur le côté, puis l'air est à nouveau aspiré.

## 10 Nettoyage et entretien

Ce chapitre est consacré à des indications importantes sur le nettoyage et l'entretien de l'appareil. Pour éviter la dégradation de l'appareil par un nettoyage incorrect et pour son bon fonctionnement veuillez observer les conseils ci-dessous.

---

## 10.1 Consignes de sécurité

### Attention

Avant de commencer le nettoyage de l'appareil veuillez observer les consignes de sécurité suivantes :

- ▶ Les récipients d'emballage sans vide doivent être nettoyé chaque fois. Si l'appareil n'est pas maintenu dans un état permanent de propreté, cela peut rendre l'appareil dangereux et provoquer l'apparition de moisissures et d'attaques bactériennes.
- ▶ Ne pas utiliser de produits nettoyants agressifs ou abrasifs et aucun solvant.
- ▶ Ne pas gratter les salissures résistantes avec des objets acérés.

## 10.2 Nettoyage

Nettoyez vos ensemble de boîtes en verre sous vide avant la première utilisation et après chaque utilisation.

Vous pouvez nettoyer les récipients et couvercle à l'eau tiède de rinçage ou au lave-vaisselle. Rincer le tuyau d'aspiration et le couvercle sous l'eau courante. Nettoyez l'adaptateur avec un chiffon humide. Bien sécher les pièces après le rinçage.

## 11 Garantie

### Garantie limitée de 12 mois

Caso Design USA garantit que pendant une période de 12 mois à compter de la date d'achat, ce produit sera exempt de tout défaut de matériau et de fabrication. Caso Design USA s'engage, à sa discrétion, à réparer ou à remplacer ce produit ou tout composant du produit jugé défectueux pendant la période de garantie. Le remplacement sera effectué par un produit ou un composant neuf ou réusiné. Si le produit n'est plus disponible, le remplacement peut être effectué par un produit similaire de valeur égale ou supérieure. Il s'agit de votre garantie exclusive. N'essayez pas de réparer ou de régler les fonctions électriques ou mécaniques de ce produit. Toute tentative de réparation ou de réglage annulerait la garantie.

Cette garantie est valable pour le premier acheteur au détail à partir de la date de l'achat initial au détail et n'est pas transférable. Conservez la facture d'achat originale. Une preuve d'achat est nécessaire pour obtenir l'exécution de la garantie.

Cette garantie limitée ne couvre pas l'usure normale des pièces ni les dommages résultant de l'un des éléments suivants : utilisation négligente ou abusive du produit, utilisation sur une tension ou un courant inadéquat, utilisation contraire aux instructions d'utilisation, démontage, réparation ou modification par une personne autre que le centre de service de Caso Design USA. En outre, cette garantie limitée ne couvre pas : les catastrophes naturelles, telles que les incendies, les inondations, les ouragans et les tornades.

### Quelles sont les limites de la responsabilité de Caso Design USA ?

Caso Design USA ne sera pas responsable des dommages accessoires ou indirects causés par la violation de toute garantie ou condition expresse, implicite ou statutaire.

---

Sauf dans la mesure interdite par la loi applicable, toute garantie ou condition implicite de qualité marchande ou d'adéquation à un usage particulier est limitée dans le temps à la durée de la garantie ci-dessus.

Caso Design USA décline toute autre garantie, condition ou représentation, expresse, implicite, statutaire ou autre.

Caso Design USA ne sera pas responsable des dommages de toute nature résultant de l'achat, de l'utilisation ou de la mauvaise utilisation, ou de l'incapacité à utiliser le produit, y compris les dommages accessoires, spéciaux, consécutifs ou similaires ou la perte de profits, ou de toute rupture de contrat, fondamentale ou autre, ou de toute réclamation introduite contre l'acheteur par une autre partie.

Certaines provinces, États ou juridictions n'autorisent pas l'exclusion ou la limitation des dommages accessoires ou indirects ou la limitation de la durée d'une garantie implicite, de sorte que les limitations ou exclusions ci-dessus peuvent ne pas s'appliquer à vous.

Cette garantie vous donne des droits légaux spécifiques, et vous pouvez également avoir d'autres droits qui varient d'une province, d'un État ou d'une juridiction à l'autre.

## 12 Données techniques

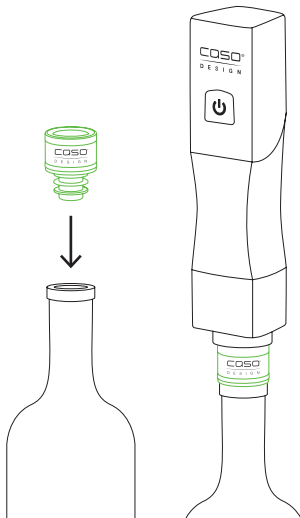
Appareil	Ensemble de boîtes en verre sous vide
Nom	VG 3000
N° de pièce	11177
Poids net	4.63lbs
Poids brut	10.14lbs
Dimension du produit (LXHXD) en pouces	2 x 17oz, 1 x 50oz
Dimension de la boîte à cadeau (LXHXD) en pouces	9.06"x6.30"x7.24"
Dimension du carton principal (LXHXD) en pouces	13.19"x9.65"x8.27"

COSO WineLock (item 11257)

Usable with:

1. Suitable hand-held vacuum sealer  
e.g. CASO One Touch Cordless Vacuum Sealer  
(item 11301)

More information





CASO WineLock (item 11257)

Usable with:

2. Vacuum sealer with hose connection and a suitable adapter  
e.g. adapter sold with CASO VG 3000  
(item 11177)

