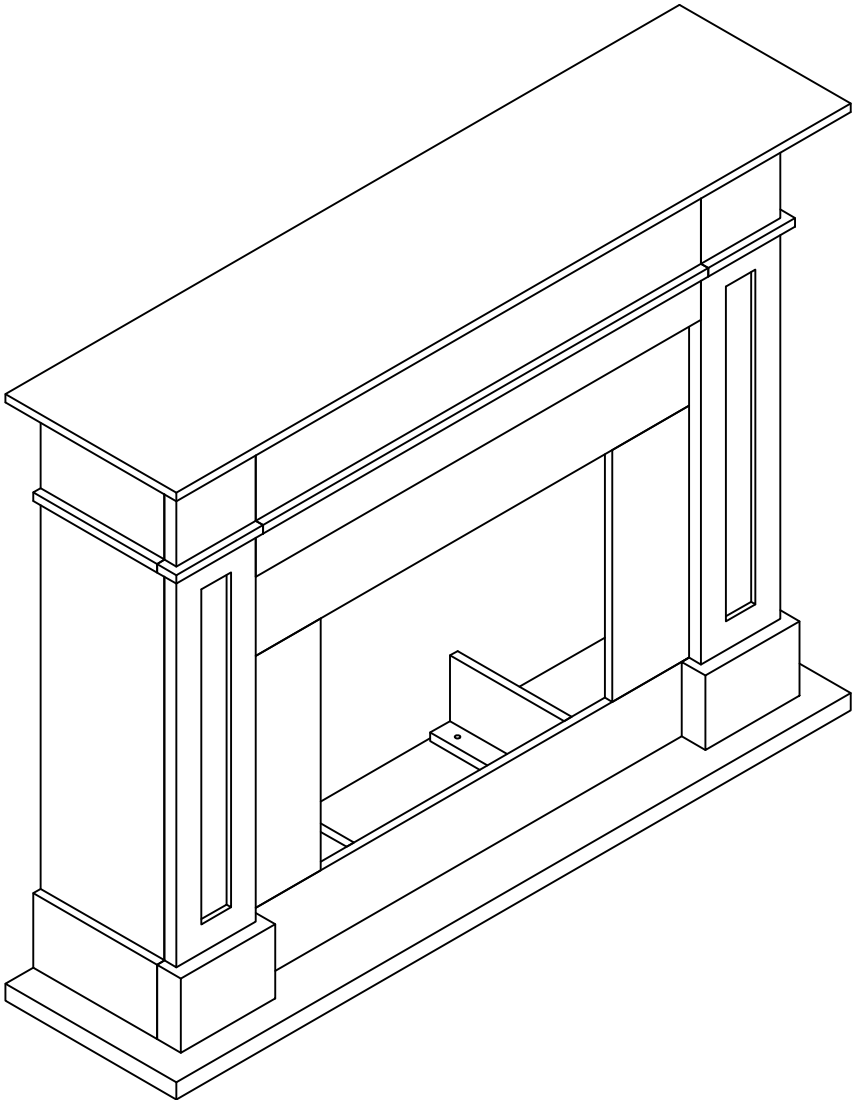


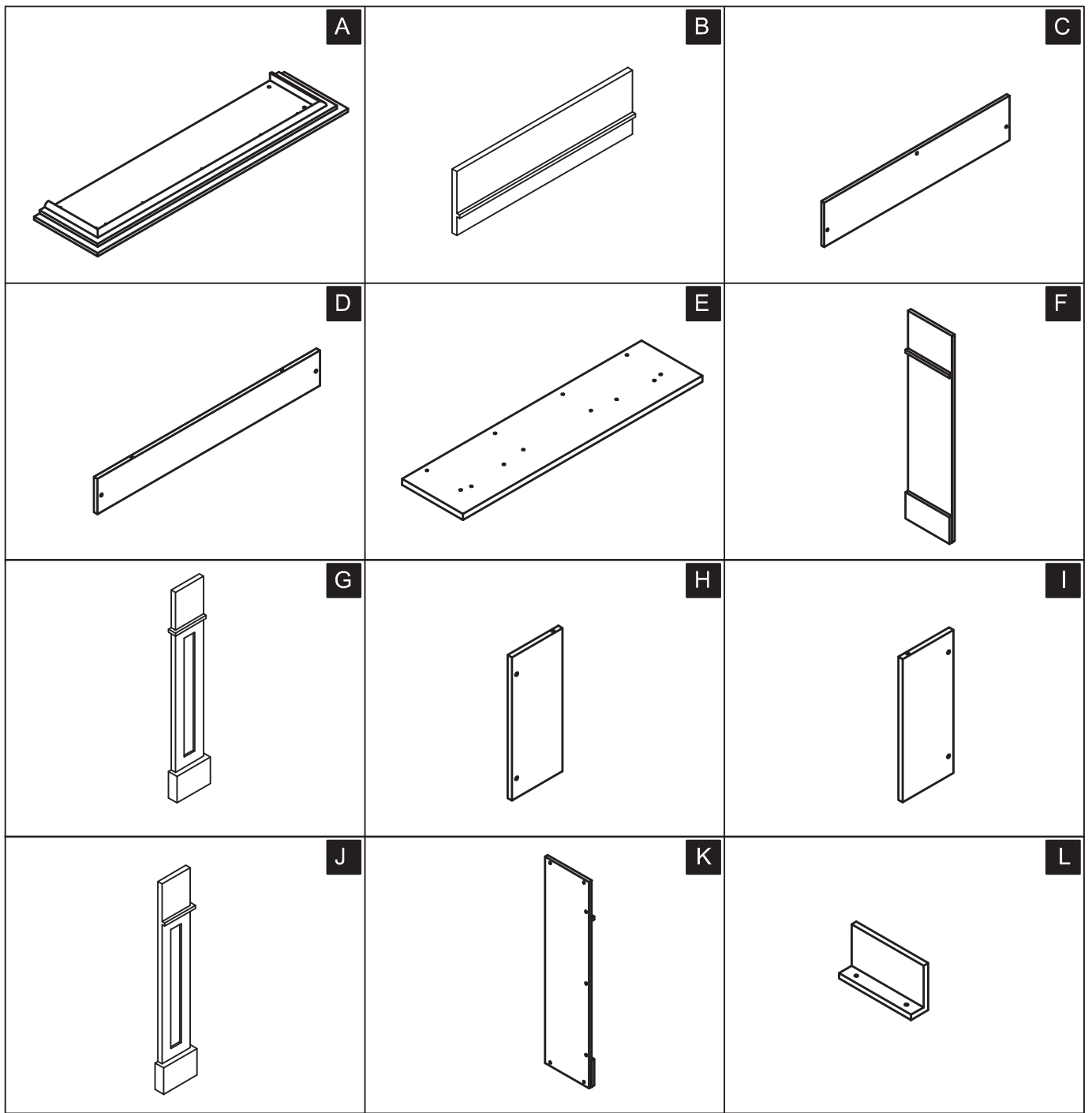
MANTEL

MODEL

X5617-1



PACKAGE CONTENTS



PACKAGE CONTENTS

AA



Short
Screw
M6*12
Qty.50

BB



Long
Screw
M6*28
Qty.15

CC



L-Bracket
Qty.23

DD



Bracket
Qty.2

EE



Washer
Qty.15

FF



Wooden
Dowel
M6*30
Qty.4

SS



X2



X2



X1



X2 (4*35MM)



X2 (4*15MM)

Safety Chain Qty.1

PACKAGE CONTENTS

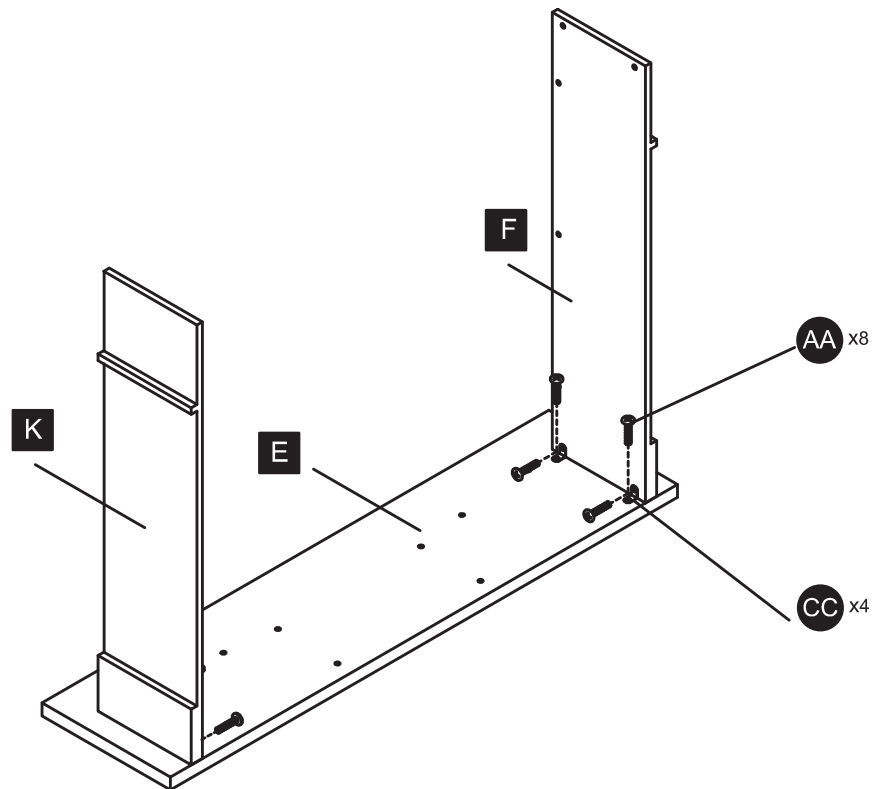
PART	DESCRIPTION	QTY.	PART NO.
A	Top Panel	1	
B	Center Panel	1	
C	Upper Firebox Panle	1	
D	Lower Firebox Panel	1	
E	Base Panel	1	
F	Left Side Panel	1	
G	Left Front Panel	1	
H	Left Firebox Panel	1	
I	Right Firebox Panel	1	
J	Right Firebox Panel	1	
K	Right Firebox Panel	1	
L	Lower Supprot	2	
AA	Short Screw	50	
BB	Long Screw	15	
CC	L-Bracket	23	
DD	Bracket	2	
EE	Washer	15	
FF	Wooden Dowel	4	
SS	Safety Chain	1	

Some parts and specifications may change without notice.

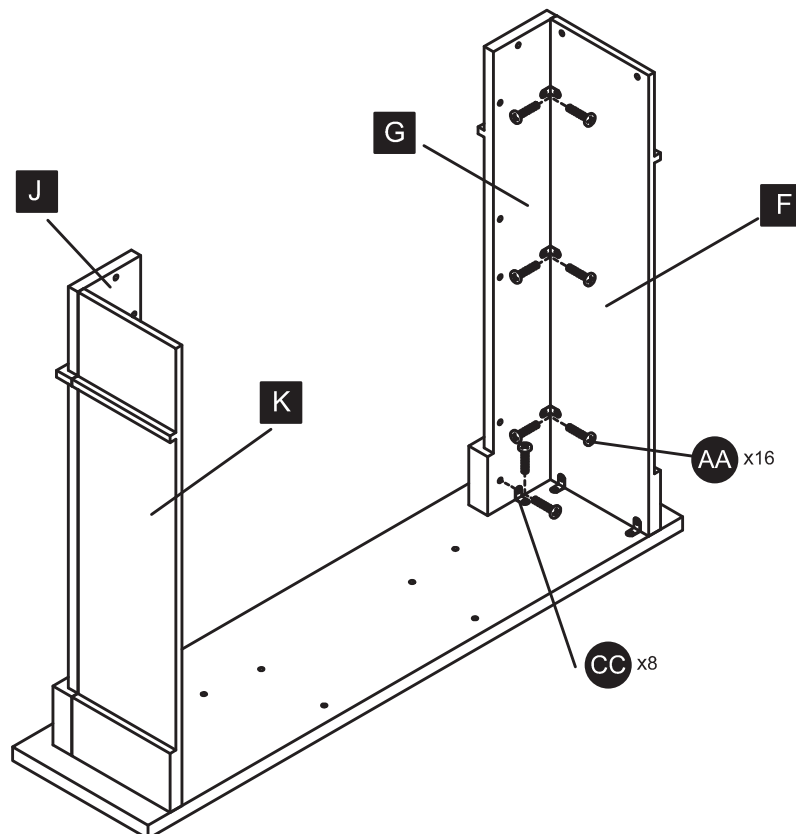
Carefully remove all pieces from the carton and make sure that you have all parts listed (refer to parts list on page 2-3)

PACKAGE CONTENTS

1.

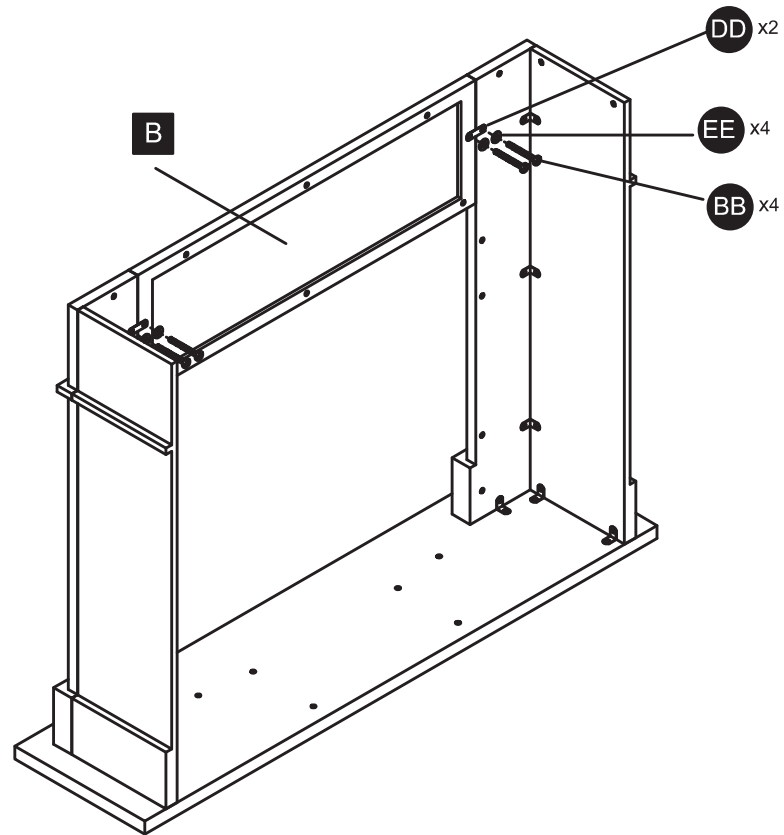


2.

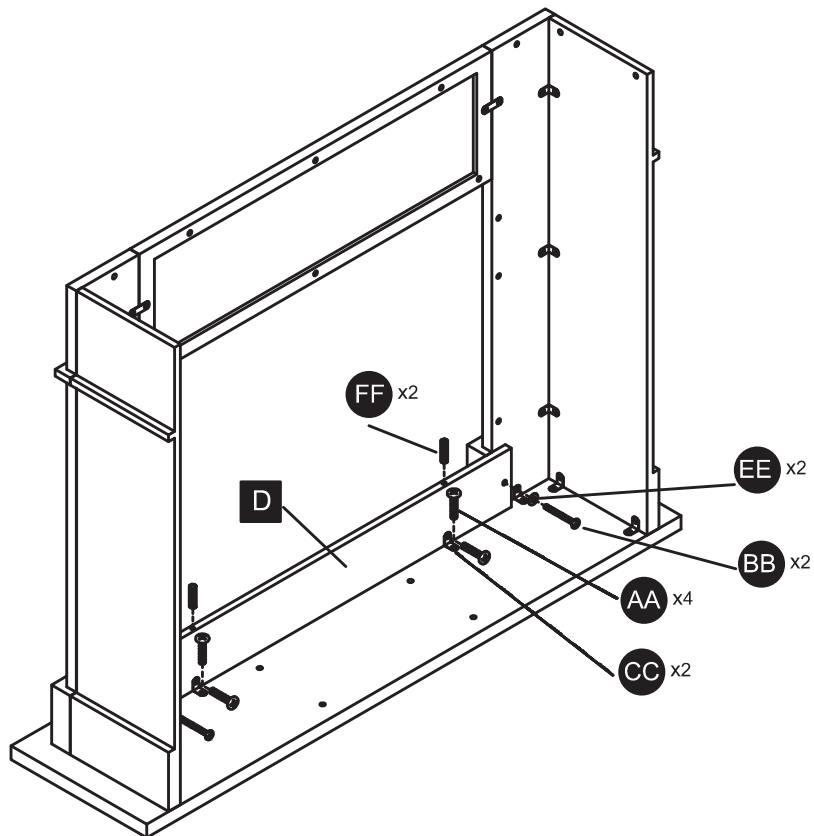


PACKAGE CONTENTS

3.

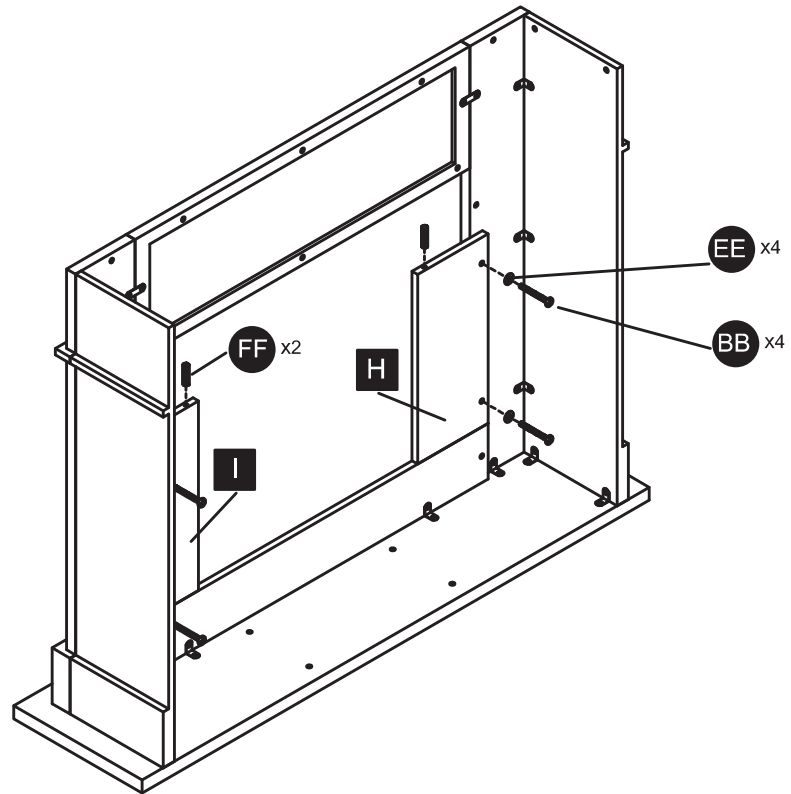


4.

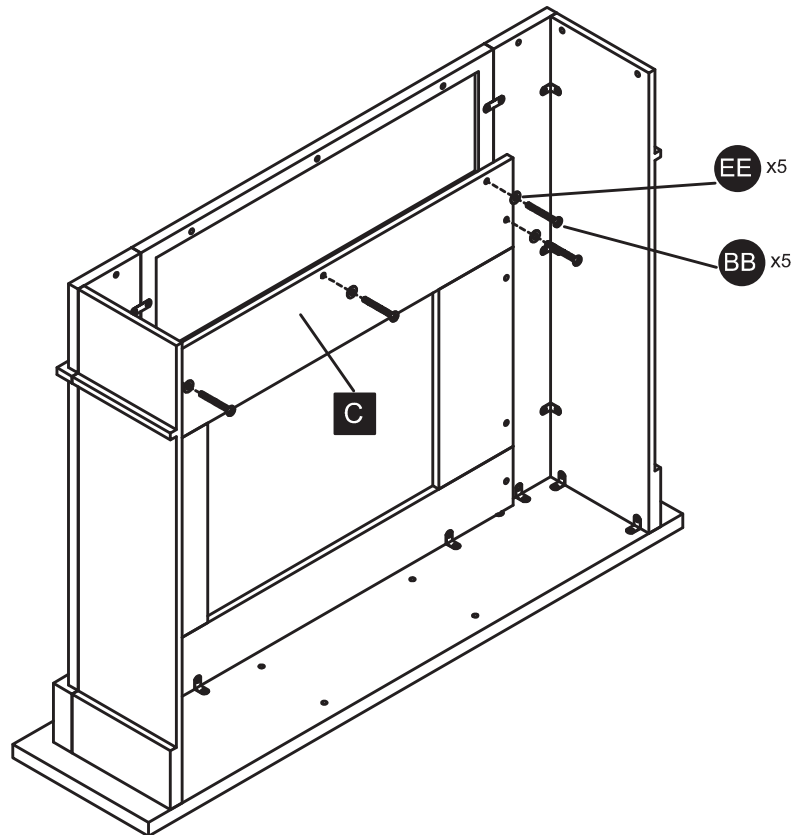


PACKAGE CONTENTS

5.

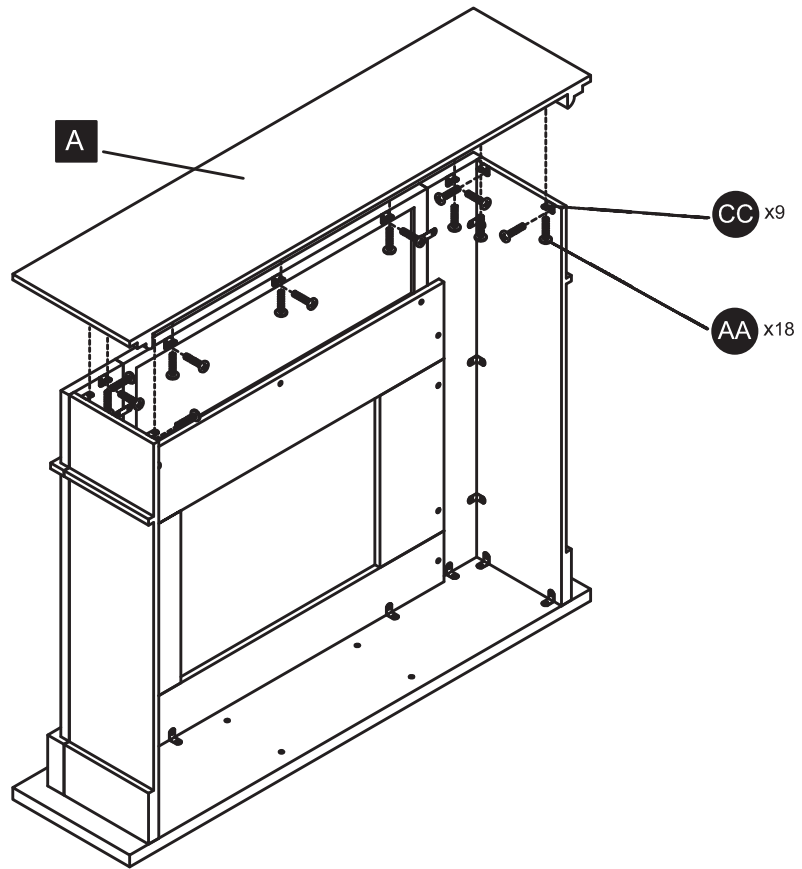


6.

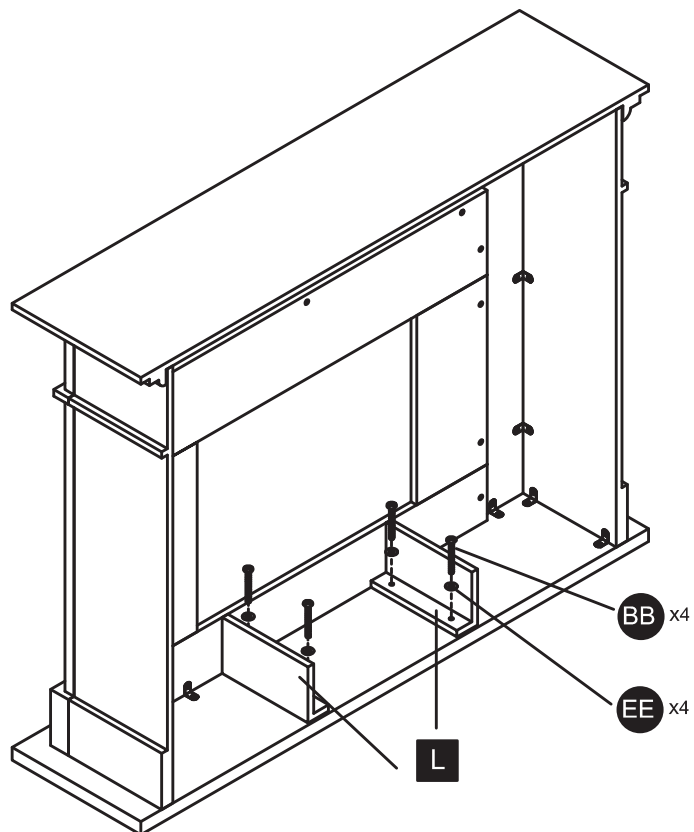


PACKAGE CONTENTS

7.



8.

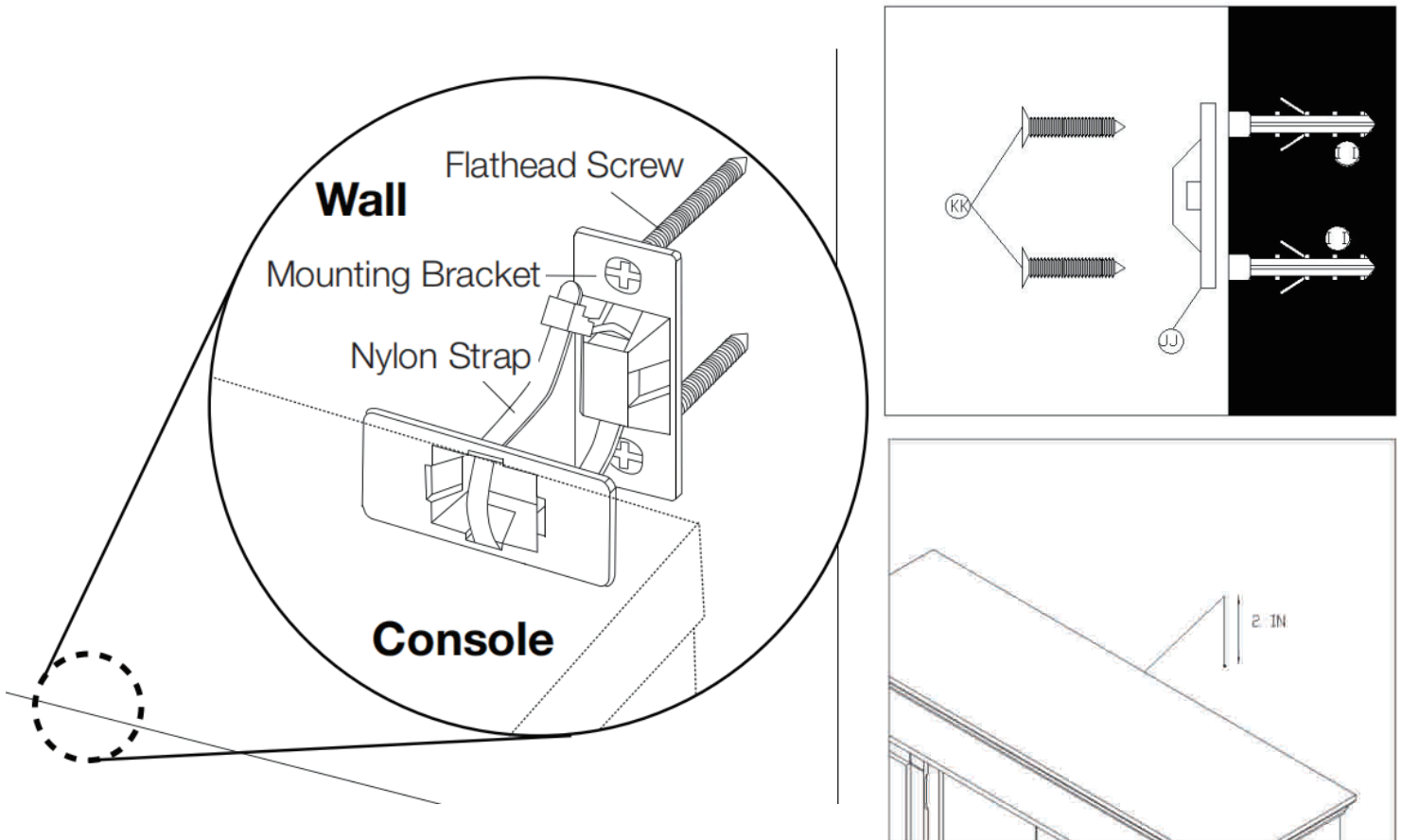


PACKAGE STEPS

IMPORTANT - Safety Chain Installation

WARNING:

This mantel is heavy furniture. Please be sure to correctly attach the safety chain to both the mantel and an adjacent wall. Failure to do so can cause serious injury or death.



INSTALLATION:

- Assemble the mantel and place it in position
- Attach one end of the chain to a wall stud using the screw included
- Attach the other screw – through a link in the chain – to the center of the mantel's top board (you may need to drill a small starter hole). Put the screw through the chain link that allows the least amount of slack in the chain.
- Carefully test that the installed chain adequately prevents tipping or tilting of the mantel.

NOTE: The chain must be as short as possible to prevent the mantel tipping forward. Do not allow slack in the chain.