

SPECIFICATION SHEET



RapidRun VGA + 3.5mm Single Gang Wall Plate + HDMI Pass Through—Aluminum

- Supports VGA video, Stereo Audio, signals over a RapidRun Multi-Format Runner
- Flexible HDMI pigtailed for easy installation in a wall box
- Compatible with standard double gang wall boxes
- Aluminum construction for durability and long life

Specifications: RapidRun VGA + 3.5mm Single Gang Wall Plate + HDMI Pass Through—Aluminum

Electrical Characteristics:

| | | | |
|-------------------------|-------------------------|--------|--------|
| Impedance: | 75 ± 5 Ohm | | |
| Capacitance: | 71 ± 2 pF/ ft nom | | |
| Velocity of Propagation | 78 ± 1% | | |
| DC Resistance: | 237 ± 10 Ω/km | | |
| Dielectric Strength: | 500VAC/1 minute min | | |
| Insulation Resistance: | 93.25 Ω/KM at 20°C max. | | |
| Attenuation (nom.): | | Min | Max |
| | | Limit | Limit |
| | Frequency | | |
| | 1~825 MHz | -5 dB | -5 dB |
| | 825~2475 MHz | -5 dB | -12 dB |
| | 2475~4125 MHz | -12 dB | -20 dB |
| | 4125~5100 MHz | -20 dB | -25 dB |

Physical Characteristics:

| | |
|---------------------|--------------|
| Voltage Rating: | 30V |
| Temperature Rating: | 80°C |
| Temperature Range: | -25° ~ 80° C |
| Approvals: | CE |
| Warranty: | Lifetime |
| Package Type: | Box |

Conductor (Qty. 3):

| | |
|-----------------|--|
| Conductor Type: | 28AWG 7/0.127 Tinned Copper |
| Dielectric: | Min Avg. Thickness: 1.57mm Foam PE |
| Shield: | Spiral 90% Coverage Tinned Copper |
| Insulation: | Min Avg. Thickness: 0.23mm PVC: (1) red, (1) blue, (1) green |

Conductor (Qty. 3 twisted pair + 2 conductors):

| | |
|-----------------|--|
| Conductor Type: | 24AWG 7/0.2 Tinned Copper |
| Foil Shield: | Aluminum 100% coverage |
| Insulation: | Minimum Avg. Thickness: 0.23mm PVC |

Overall Cable

| | |
|---------|--------------------|
| Jacket: | Orange Heat Shrink |
|---------|--------------------|

HD15 Connector (Qty. 1):

| | |
|-----------------------------------|---------------------------|
| Connector Type: | High Density D-Sub 15 pin |
| Gender: | Female |
| Contact Material: | Brass, 3µm Gold Plating |
| Insulation: | Black PBT |
| Note: Pin 9 is not loaded. | |

3.5mm Connector (Qty. 1):

| | |
|-------------------|---------------------------|
| Connector Type: | 3.5mm Stereo |
| Gender: | Female |
| Contact Material: | Brass, 3µm Nickel Plating |

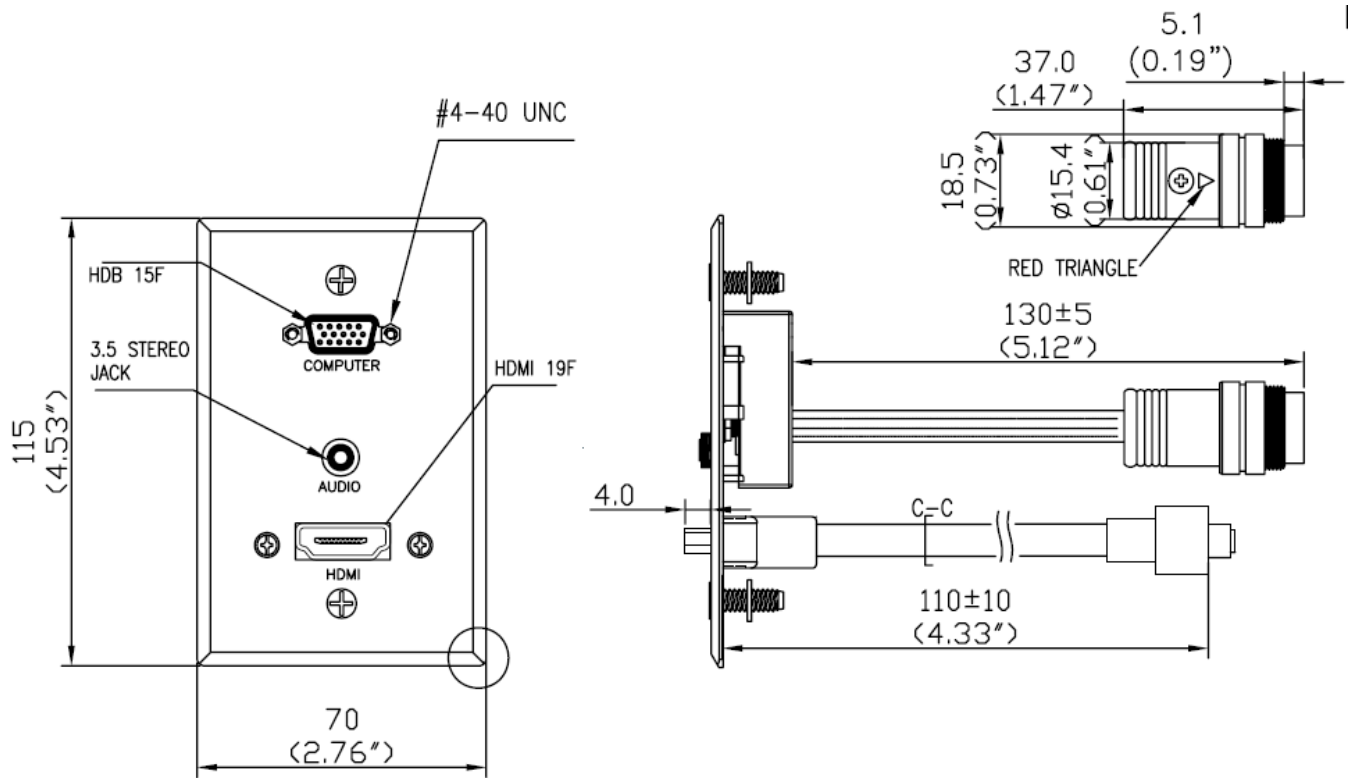
HDMI Connector (Qty 1)

| | |
|-------------------|-------------------------|
| Connector Type: | HDMI |
| Gender: | 19pin Female |
| Contact Material: | Brass, 3µm Gold Plating |

RapidRun Din Connector (Qty. 1):

| | |
|-------------------|-------------------------|
| Connector Type: | DIN 15 pin |
| Gender: | Male |
| Contact Material: | Brass, 3µm Gold Plating |
| Insulation: | Black PBT |

Specifications: RapidRun VGA + 3.5mm Single Gang Wall Plate + HDMI Pass Through—Aluminum



©2014 Legrand All Rights Reserved SpecSheet MSPEC_60145_R0

| Part Number | Description | Weight (lbs) |
|-------------|--|--------------|
| 60145 | RapidRun VGA + 3.5mm Single Gang Wall Plate + HDMI Pass Through—Aluminum | 0.426 |



Cables To Go
3555 Kettering Blvd.
Moraine, OH 45439
Phone: 800.287.2843
www.c2g.com

