

DATA SHEET



HDMI®, VGA and 3.5mm Audio Pass Through Double Gang Wall Plate with One Decorative Cutout

Complete an in-wall HDMI, VGA and Stereo Audio cabling installation with this wall plate featuring flexible HDMI and 3.5mm pigtails

OVERVIEW

The HDMI, VGA and 3.5mm Audio Pass Through Double Gang Wall Plate is perfect for the transition to in-wall cabling. This solution offers a clean, professional look and is ideal for classrooms, conference rooms and houses of worship.

The HDMI and 3.5mm Audio pass through ports include thin, flexible pigtails that accommodate the tight bend radius required for installations within a standard junction box. In addition, the decorative cutout provides a space for additional components like our USB Superboosters that fit a standard opening.

Constructed of high quality aluminum, this wall plate is designed for durability and a long life in commercial environments where constant wear and tear causes damage.

FEATURES

- Supports HDMI audio/video signals, VGA video and Stereo Audio
- Flexible HDMI and 3.5mm pigtails for easy installation in a wall box
- Compatible with a standard double gang wall box
- Compatible with decorative inserts

ITEM DESCRIPTION

39877 HDMI, VGA and 3.5mm Audio Pass Through Double Gang Wall Plate with One Decorative Cutout - White

DATA SHEET

SPECIFICATIONS:

HDMI, VGA and 3.5mm Audio Pass Through Double Gang Wall Plate with One Decorative Cutout

ELECTRICAL SPECIFICATIONS:

- Voltage Rating: 30V
- Nominal Capacitance: 58PF/M
- Conductor Resistance: @ 20°C max, 30AWG: 376.96[OHM]/KM
- Insulation Resistance: 10M[OHM]/km @ 20°C DC 500V
- Attenuation:
 - @ 0.30~825MHz 5dB/3.0M
 - @ 825~2475MHz 12dB/3.0M
 - @ 2475~4125MHz 20dB/3.0M
 - @ 4125~5100MHz 25dB/3.0M

PHYSICAL SPECIFICATIONS:

- Jacket: Black PVC
- Jacket Thickness: 0.51mm
- Minimum Bend radius: 30mm
- Approvals: CE and conforms to 2011/65/EU ROHS 2

Conductor (2 Conductors, 5 Pair):

- Conductor: 30AWG(7/0.10TC)X5PR
- Insulation: FM-PE, ID: 0.75±0.05mm
- Color: Brown/White, Red/White, Orange/White, Green/White, Blue/White
- Drain: 30AWG(7/0.10TC)X5
- Shield: AL Foil WrapX5
- Braid: (16/5/0.08TC)X5

Conductor (4 Conductors):

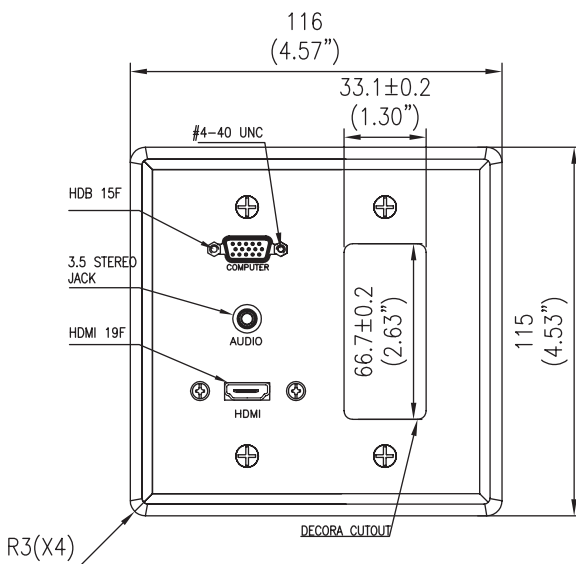
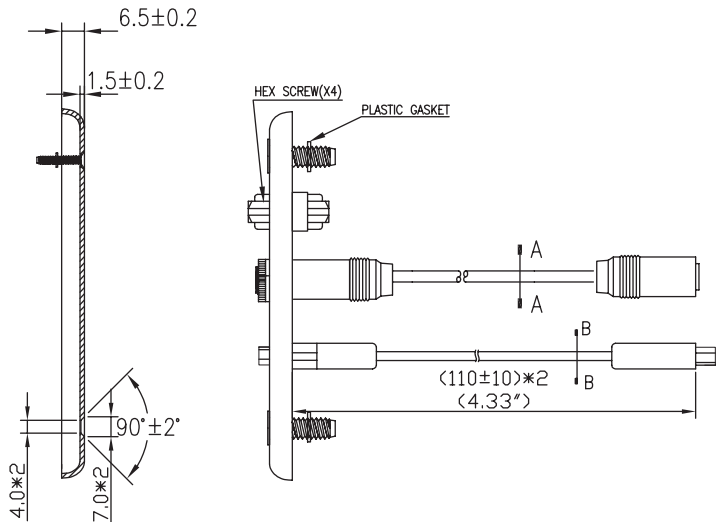
- Conductor: 30AWG(7/0.10TC)X4C
- Insulation: PP, ID: 0.55±0.05mm
- Color: Red/Yellow/Orange/White
- Drain: 30AWG(7/0.10TC)
- Shield: AL Foil Wrap

Conductor (2 Conductors):

- Conductor: 26AWG(7/0.16TA)X2C
- Insulation: SR-PVC ID: 1.0±0.05
- Color: Black/White
- Shield: AL Foil Wrap
- Drain: 24AWG(7/0.20TA)

Wall Plate:

- Material: Brushed Aluminum 5052
- Hardness: HRB22 Anodizing



C2G
A brand of **legrand**

3555 Kettering Blvd.
Moraine, OH 45439
Phone: 800.CABL.911
www.c2g.com

Follow Us

