

DATA SHEET



4-Port HDMI® Splitter 4K30

Split a single HDMI audio/video signal from a source device to four HD displays

OVERVIEW

The 4-Port HDMI Splitter 4K30 is a 1-Input 4-Output splitter supporting up to 4k30 video, ideal for applications utilizing the HDMI 1.4 standard. A perfect solution for connecting a computer, Blu-ray™ player, gaming console, media server, or A/V receiver to four HDMI displays.

The HDMI splitter is HDCP 1.4 compliant and supports exceptional 4K UltraHD resolutions up to 3840 x 2160 at 30hz, handling total HDMI data rates up to 10.2Gbps.

FEATURES

- One HDMI input and four HDMI outputs
- Supports resolutions up to 3840 x 2160 at 30hz
- HDCP 1.4 Compliant
- Supports 340MHz/3.4Gbps per channel
- Supports 3D formats
- Supports 8, 10 & 12bit per channel deep color
- Supports DTS-HD, Dolby TrueHD, DTS, Dolby AC3 & DSD Audio

ITEM DESCRIPTION

41058

4-Port HDMI® Splitter 4K30

C2G[®]
A brand of **legrand**

DATA SHEET

SPECIFICATIONS: 4-Port HDMI® Splitter 4K30

ELECTRICAL SPECIFICATIONS:

- Electrical Input: 100-240V 50/60HZ, 0.3A max
- Electrical Output: 5V DC@1A
- Power Adapter Plug: US/UK/EU Type

PHYSICAL SPECIFICATIONS:

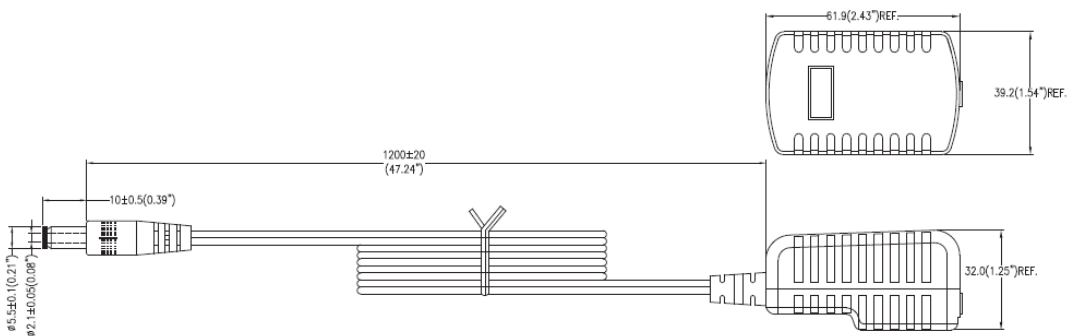
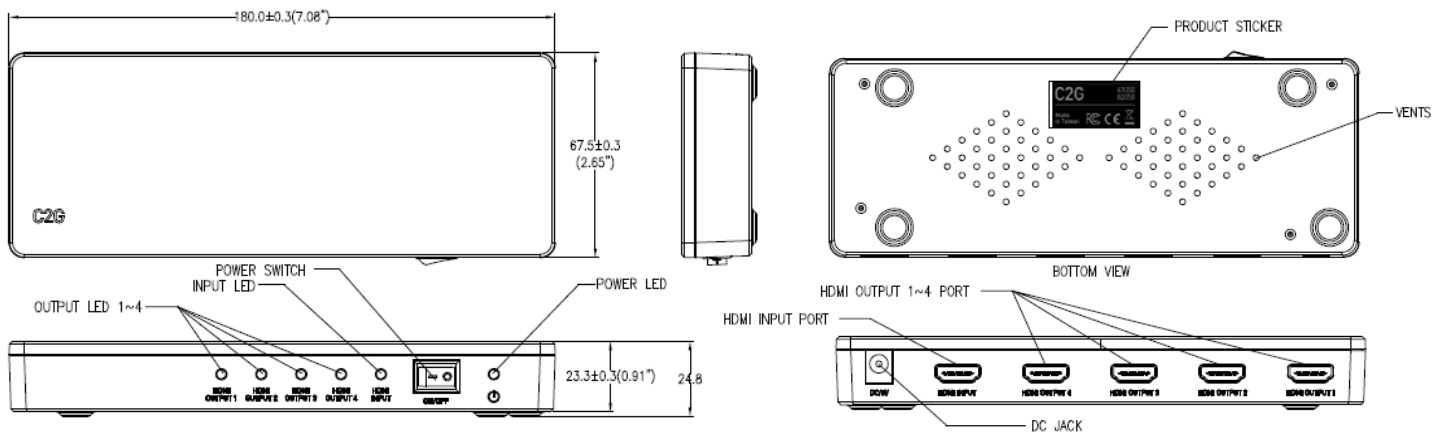
- Operating Temperature: 0°C to +50°C
- Storage Temperature: -25°C to +70°C
- Operating Humidity: 5% to 90 % RH (no condensation)

SIGNAL SPECIFICATIONS:

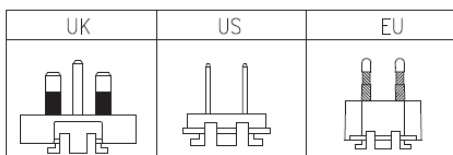
- Output Video: HDMI
- HDMI Input/output Connector: Type A 19 pin
- Panel Refresh Rate: 30Hz
- Video Amplifier Bandwidth: 3.4Gbps/340MHz (10.2Gbps)
- Supported Resolutions: 480p,576p,1080i,1080p 3840x2160/30hz

PHYSICAL CHARACTERISTICS:

- Dimensions (HxWxL): 24.8mmH x 67.5mmW x 180mmL
(0.97 inch H x 2.65 inch W x 7.08 inch L)
- Weight(Net): 130g (.29lb)
- Approvals: CE Marked and Conforms to 2011/65/EU ROHS2



POWER ADAPTER PLUG



C2G
A brand of **legrand**

6500 Poe Avenue
Dayton, OH 45414
Phone: 800.CABL.911
www.c2g.com

Follow Us

