

Add lighting and ventilation to your room - with the look of an ordinary recessed light.

Recessed Fan / LED Light

FEATURES

TRIM RING BAFFLE:

- Polymeric construction with matte white finish
- Recessed styling, mounts flush with finished ceiling

LAMP:

- Uses BR30-shaped, 2700K, 14W, high efficacy, dimmable, LED lamp with GU24 base (included)

BLOWER:

- Plug-in, permanently lubricated, motor
- Dynamically balanced centrifugal blower wheel for quiet, efficient performance
- Low RPM for quiet operation

HOUSING:

- Fits in 2" x 8" construction
- Rugged, galvanized steel construction
- 4" round, polymeric duct connector with 2" tapered sleeve and no metallic clatter
- Adjustable mounting brackets span up to 24"

CONTROLS (Purchase separately):

- Refer to NuTone's catalog for a complete line of accessories to effectively adapt this fan to your construction requirements.

LUTRON DIMMERS *: (purchase separately)

ADRIANI AYLV-600; Interfaces PHPM-WBX w/DVF-103P; Panel Module Grafik Eye; Radio Ra RRD-6NA; Lutron HW-RPM-4U-120, QSG-6P, LPRPM-4U-120, S-600PR-WH, DV-600PRWH, DV-600, DVLV-600, NLV-600, TG-600PR-WH, AY600P, Q600P, GL600, CN-600PHW, DV-603PG, S-600, S-600P, LG-600P, D-600PH, TT-300NLH, TG-603PG, DV-600PR-WH, MAELV-600-WH

OTHER DIMMERS *: (purchase separately)

Ace 34050, 3027596 Leviton 6633-PL, 6684, 6631, IPI06-1LX, Legrand DrRD4W

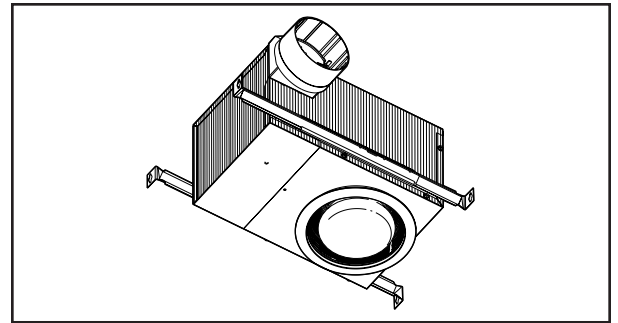
* Dimmer compatibility list indicates those dimmers that have been tested and operate properly under normal conditions. Each application is unique and various factors such as load, common neutrals or other electrical products on the circuit can, in certain instances, cause variance in system performance. Consult dimming system manufacturer for additional support in operation.

U.L. Listed for use in insulated ceilings (TYPE I.C.)

U.L. Listed for use over bathtubs and showers when connected to a GFCI protected branch circuit (ceiling mount only).

3-Year Warranty

MODEL 744LEDNT



TYPICAL SPECIFICATION

Fan / Light shall be NuTone Model 744LEDNT.

Fan / Light shall have corrosion resistant steel housing and adjustable mounting brackets.

Motor assembly to be removable and permanently lubricated.

Non-metallic damper/duct connector to be included.

Fan / Light shall use a BR30-shaped, 2700K, 14W, high efficacy, GU24-based, dimmable LED lamp.

Air delivery shall be no less than 70 CFM and sound level no greater than 1.5 Sones. All air and sound ratings shall be certified by HVI.

Fan / Light shall be ENERGY STAR® qualified and have an energy efficient permanent split capacitor motor.

Fan / Light shall be U.L. Listed for use over bathtubs and showers when connected to a GFCI protected branch circuit (ceiling mount only).

Fan / Light shall be U.L. Listed for use in insulated ceilings (Type I.C.).

SPECIFICATIONS

MODEL	VOLTS	AMPS**
744LEDNT	120	0.55



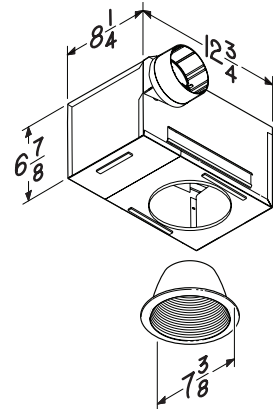
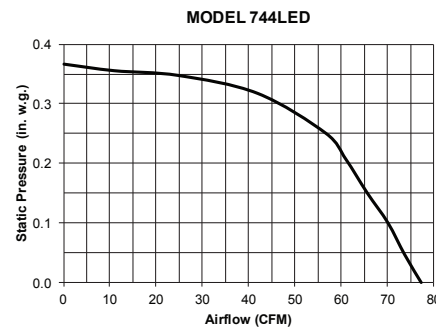
STATIC PRESSURE	CFM	SONES	FAN WATTS	DUCT
0.10	70	1.5	25.0	4" Round
0.25	55			

** Total Connected Load



HVI-2100 CERTIFIED RATINGS comply with new testing technologies and procedures prescribed by the Home Ventilating Institute, for off-the-shelf products, as they are available to consumers. Product performance is rated at 0.1 in. static pressure, based on tests conducted in a state-of-the-art test laboratory. Sones are a measure of humanly-perceived loudness, based on laboratory measurements.

AIR FLOW PERFORMANCE



Broan-NuTone LLC Hartford, Wisconsin www.nutone.com 888-336-3948

REFERENCE	QTY.	REMARKS	Project
			Location
			Architect
			Engineer
			Contractor
			Submitted by Date