

# 24" Bar Handle Dishwasher

Benchmark – Stainless Steel SHX9PCM5N



**BOSCH**  
Invented for life



**SHX9PCM5N**  
Stainless Steel

**PowerControl™ spray arm targets your dirtiest dishes with a deeper clean, no matter where you load them on the bottom rack.**

## Features & Benefits

So quiet at 39 dBA, TimeLight® shines time remaining on the floor so you know the dishwasher is running.

Patented CrystalDry™ technology transforms moisture into heat to get dishes, including plastics, 60% drier.\*

The Flexible 3rd Rack with fold down sides adds 30% more\* loading area, perfect for utensils and ramekins.

Enhance your cleaning experience with Wi-Fi enabled Home Connect®. Access additional wash cycles and options or choose the right one for your needs using Smart Cycle.

| General Properties               |   |
|----------------------------------|---|
| Number of wash cycles            | 5 + 4 additional in Home Connect®   |
| Number of options                | 4 + 4 additional in Home Connect®   |
| dBA                              | 39 dBA  |
| Wash system                      | PowerControl™ with PrecisionWash®   |
| Drying system                    | CrystalDry™   |
| Third rack                       | Flexible 3rd Rack   |
| Rack adjustability               | Rackmatic®  |
| Tub material                     | Stainless Steel   |
| Control type                     | Touch Controls  |
| Concealed water heating element  | Yes   |
| Leak protection system           | 24/7 AquaStop®  |
| Home Connect® (WiFi enabled)     | Yes   |
| NSF®-certified** sanitize option | Yes   |
| Water softener                   | Yes   |
| Five-level wash                  | Yes   |
| Child Lock button suspension     | No  |
| Anti-Fingerprint Finish          | Yes   |
| Special features                 | CrystalDry™ Option, TimeLight®, Interior Light, EasyGlide® Plus rack system |
| Efficiency                       |   |
| Water usage per cycle            | 3.2   |
| Energy efficiency class          | Tier 1  |
| ENERGY STAR® qualified           | Yes   |
| Total annual energy consumption  | 239 kWh   |



## Capacity

Number of place settings 16

## Technical Details

Watts 1440 W

Current 12 Amps

Volts 120 V

Frequency 60 Hz

Power cord full length 67"

Power cord install length from edge of unit when facing the door  
Left – 45"  
Right – 56"

Minimum water pressure 14 lb/sin

Length outlet hose 79"

## Dimensions & Weight

Overall appliance dimensions (HxWxD) 33 7/8" x 23 9/16" x 23 3/4"

Required cutout size (HxWxD) 33 7/8" x 24" x 24"

Adjustable feet Yes

Net weight 117 lbs

## Accessories—Optional

Junction Box SMZPCJB1UC

Junction Box + Supply Hose Kit SMZ3IN1UC

Bosch Dishwasher Water Supply Hose SMZSH002UC

Drain Hose Extension Kit SGZ1010UC

Dishwasher Accessory Kit SMZ5000

Anti-Tarnish Silverware Cassette SMZ5002UC

Edge Protector + Power Cord Clip Install Kit SMZEPCC1UC

Water Softener Salt SGZ9091UC

\* Based on aggregate average drying performance of Bosch Dishwashers with CrystalDry™ on combined household load including plastics, glass, steel, and porcelain as compared to Bosch Dishwashers with PureDry®. Drying performance may vary by dish type.

\* Compared to a Bosch dishwasher with 2 racks.

\*\* Certification to NSF/ANSI Standard 184 for residential dishwashers.

**Accessories:** To purchase Bosch accessories, cleaners & parts please visit [www.bosch-home.com/us/store](http://www.bosch-home.com/us/store) or call 1-800-944-2904 (Mon to Fri 5 am to 6 pm PST, Sat 6 am to 3 pm PST).

**Notes:** All height, width and depth dimensions are shown in inches. BSH reserves the absolute and unrestricted right to change product materials and specifications, at any time, without notice. Consult the product's installation instructions for final dimensional data and other details prior to making cutout.

**Warranties:** Please see Use & Care manual or Bosch website for statement of limited warranty.

**For more information on our entire line of products, go to [www.bosch-home.com/us](http://www.bosch-home.com/us) or call 1-800-944-2904**

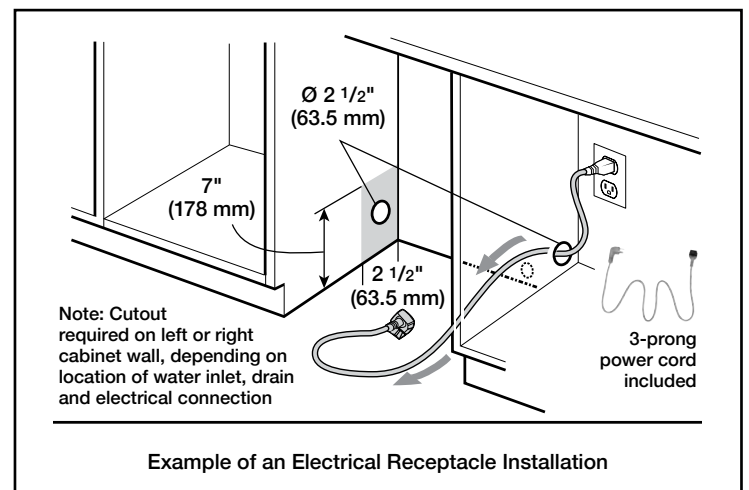
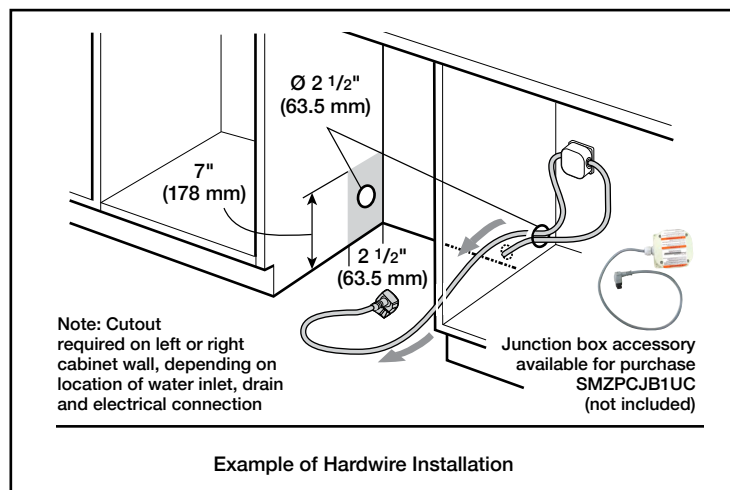
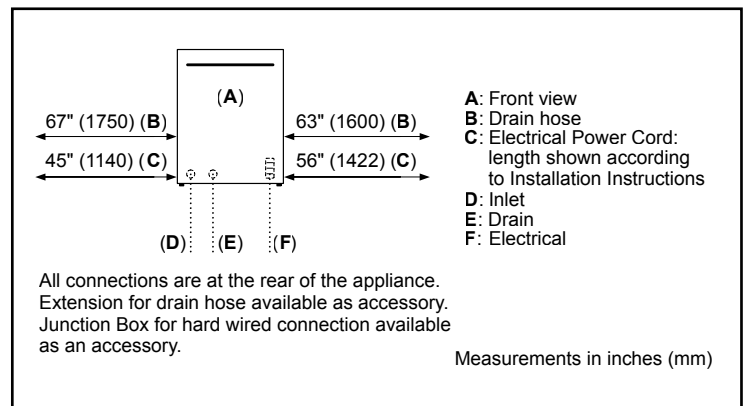
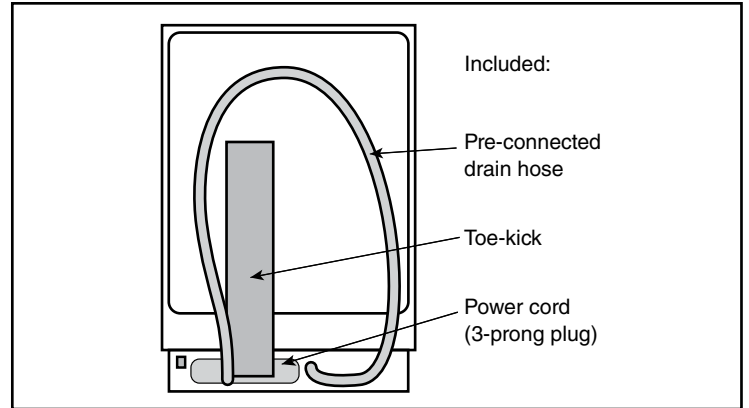
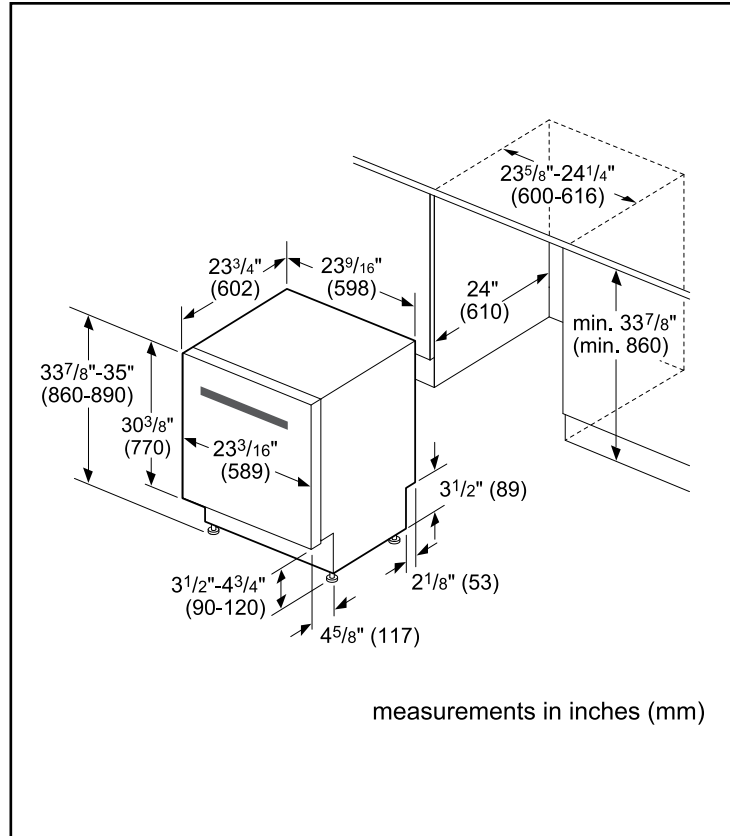
© BSH Home Appliances Corporation. All rights reserved. Bosch is a registered trademark of Robert Bosch GmbH.

# 24" Bar Handle Dishwasher

Benchmark – Stainless Steel SHX9PCM5N



## Installation Details



**Accessories:** To purchase Bosch accessories, cleaners & parts please visit [www.bosch-home.com/us/store](http://www.bosch-home.com/us/store) or call 1-800-944-2904 (Mon to Fri 5 am to 6 pm PST, Sat 6 am to 3 pm PST).

**Notes:** All height, width and depth dimensions are shown in inches. BSH reserves the absolute and unrestricted right to change product materials and specifications, at any time, without notice. Consult the product's installation instructions for final dimensional data and other details prior to making cutout.

**Warranties:** Please see Use & Care manual or Bosch website for statement of limited warranty.

**For more information on our entire line of products, go to [www.bosch-home.com/us](http://www.bosch-home.com/us) or call 1-800-944-2904**

© BSH Home Appliances Corporation. All rights reserved. Bosch is a registered trademark of Robert Bosch GmbH.

# 24" Bar Handle Dishwasher

Benchmark – Stainless Steel SHX9PCM5N

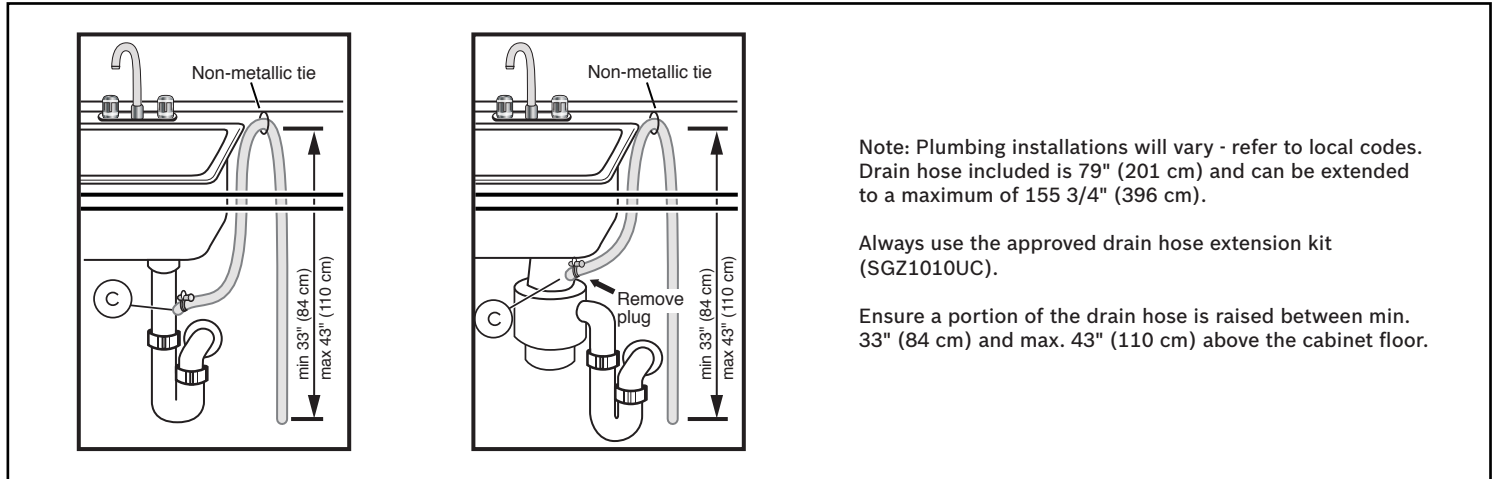


**BOSCH**

Invented for life



## Installation Details



**Accessories:** To purchase Bosch accessories, cleaners & parts please visit [www.bosch-home.com/us/store](http://www.bosch-home.com/us/store) or call 1-800-944-2904 (Mon to Fri 5 am to 6 pm PST, Sat 6 am to 3 pm PST).

**Notes:** All height, width and depth dimensions are shown in inches. BSH reserves the absolute and unrestricted right to change product materials and specifications, at any time, without notice. Consult the product's installation instructions for final dimensional data and other details prior to making cutout.

**Warranties:** Please see Use & Care manual or Bosch website for statement of limited warranty.

**For more information on our entire line of products, go to [www.bosch-home.com/us](http://www.bosch-home.com/us) or call 1-800-944-2904**

© BSH Home Appliances Corporation. All rights reserved. Bosch is a registered trademark of Robert Bosch GmbH.