

24" Pocket Handle Dishwasher

500 Series – White SHP65CM2N



IMAGE SHOWN IS NOT FINAL



SHP65CM2N
White

Also available in:

Stainless Steel SHP65CM5N

Black SHP65CM6N

The AutoAir® drying option automatically releases the door at the end of the cycle to let moisture escape and fresh air in for drier dishes.

Features & Benefits

So quiet at 44 dBA, InfoLight® shines on the floor so you know the dishwasher is running.

The Flexible 3rd Rack with fold down sides adds 30% more* loading area, perfect for utensils and ramekins.

Enhance your cleaning experience with Wi-Fi enabled Home Connect®. Access additional wash cycles and options or choose the right one for your needs using Smart Cycle.

| General Properties | |
|----------------------------------|-----------------------------------|
| Number of wash cycles | 5 + 3 additional in Home Connect® |
| Number of options | 3 + 2 additional in Home Connect® |
| dBA | 44 |
| Wash system | PrecisionWash® |
| Drying system | AutoAir® |
| Third rack | Flexible 3rd Rack |
| Rack adjustability | Rackmatic® |
| Tub material | Stainless Steel |
| Control type | Touch Controls |
| Concealed water heating element | Yes |
| Leak protection system | 24/7 AquaStop® |
| Home Connect® (WiFi enabled) | Yes |
| NSF®-certified** sanitize option | Yes |
| Water softener | No |
| Five-level wash | Yes |
| Child Lock button suspension | No |
| Anti-Fingerprint Finish | N/A |
| Special features | InfoLight®, AutoAir® Option |
| Efficiency | |
| Water usage per cycle | 3.2 |
| Energy efficiency class | Tier 1 |
| ENERGY STAR® qualified | Yes |
| Total annual energy consumption | 239 kWh |
| Capacity | |
| Number of place settings | 16 |

| Technical Details | |
|--|------------------------------|
| Watts | 1440 W |
| Current | 12 Amps |
| Volts | 120 V |
| Frequency | 60 Hz |
| Power cord full length | 67" |
| Power cord install length from edge of unit when facing the door | Left – 45" Right – 56" |
| Minimum water pressure | 14 lb/sin |
| Length outlet hose | 79" |
| Dimensions & Weight | |
| Overall appliance dimensions (HxWxD) | 33 7/8" x 23 9/16" x 23 3/4" |
| Required cutout size (HxWxD) | 33 7/8" x 24" x 24" |
| Adjustable feet | Yes |
| Net weight | 85 lbs |
| Accessories—Optional | |
| Junction Box | SMZPCJB1UC |
| Junction Box + Supply Hose Kit | SMZ3IN1UC |
| Bosch Dishwasher Water Supply Hose | SMZSH002UC |
| Drain Hose Extension Kit | SGZ1010UC |
| Dishwasher Accessory Kit | SMZ5000 |
| Anti-Tarnish Silverware Cassette | SMZ5002UC |
| Edge Protector + Power Cord Clip Install Kit | SMZEPCC1UC |



*Compared to a Bosch dishwasher with 2 racks.

**Certification to NSF/ANSI Standard 184 for residential dishwashers.

Accessories: To purchase Bosch accessories, cleaners & parts please visit www.bosch-home.com/us/store or call 1-800-944-2904 (Mon to Fri 5 am to 6 pm PST, Sat 6 am to 3 pm PST).

Notes: All height, width and depth dimensions are shown in inches. BSH reserves the absolute and unrestricted right to change product materials and specifications, at any time, without notice. Consult the product's installation instructions for final dimensional data and other details prior to making cutout.

Warranties: Please see Use & Care manual or Bosch website for statement of limited warranty.

For more information on our entire line of products, go to www.bosch-home.com/us or call 1-800-944-2904

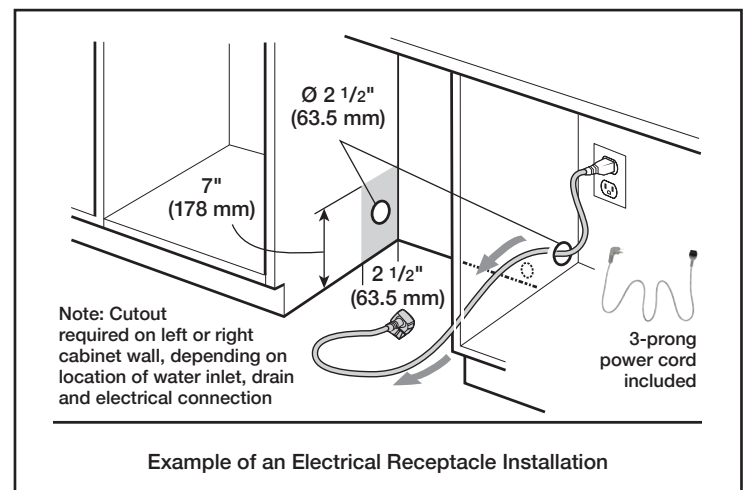
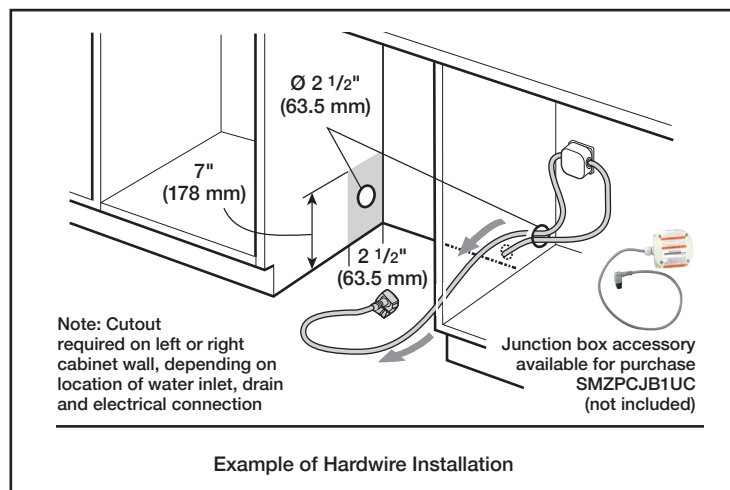
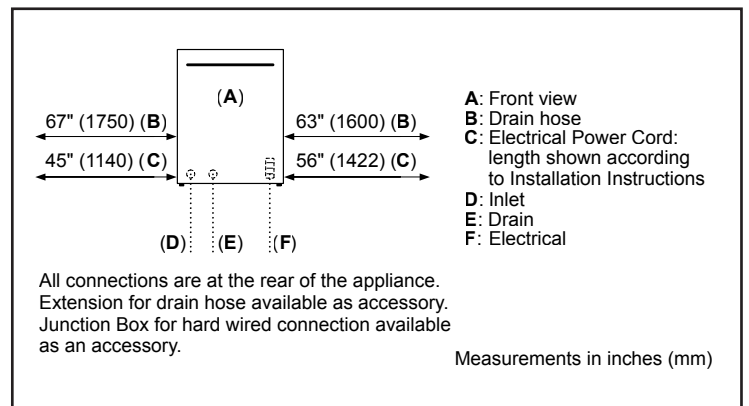
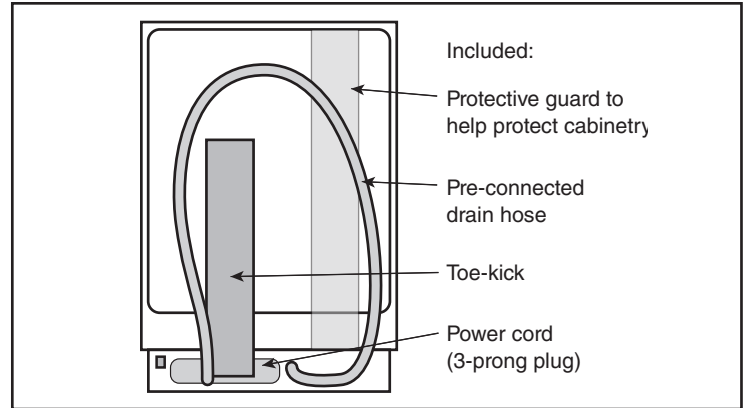
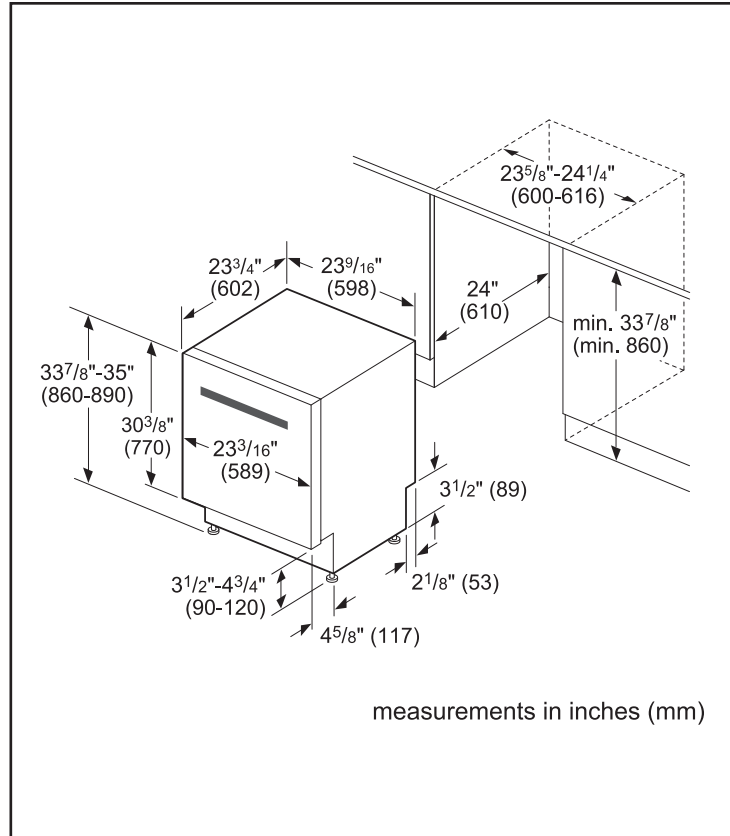
© BSH Home Appliances Corporation. All rights reserved. Bosch is a registered trademark of Robert Bosch GmbH.

24" Pocket Handle Dishwasher

500 Series – White SHP65CM2N



Installation Details



Accessories: To purchase Bosch accessories, cleaners & parts please visit www.bosch-home.com/us/store or call 1-800-944-2904 (Mon to Fri 5 am to 6 pm PST, Sat 6 am to 3 pm PST).

Notes: All height, width and depth dimensions are shown in inches. BSH reserves the absolute and unrestricted right to change product materials and specifications, at any time, without notice. Consult the product's installation instructions for final dimensional data and other details prior to making cutout.

Warranties: Please see Use & Care manual or Bosch website for statement of limited warranty.

For more information on our entire line of products, go to www.bosch-home.com/us or call 1-800-944-2904

© BSH Home Appliances Corporation. All rights reserved. Bosch is a registered trademark of Robert Bosch GmbH.

24" Pocket Handle Dishwasher

500 Series – White SHP65CM2N

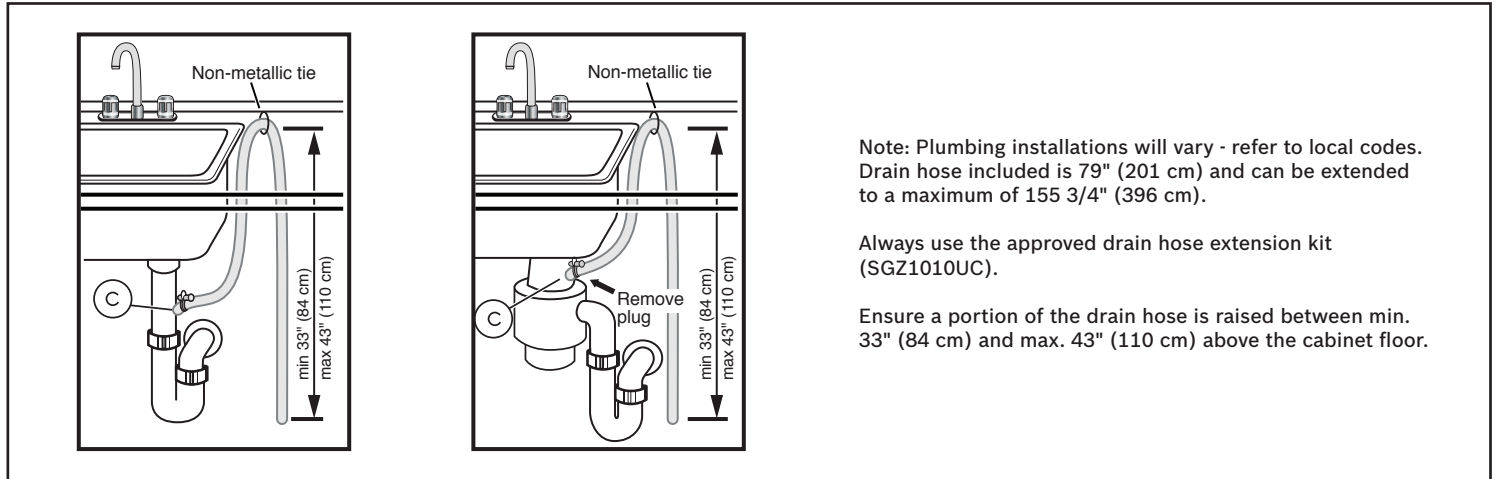


BOSCH

Invented for life



Installation Details



Accessories: To purchase Bosch accessories, cleaners & parts please visit www.bosch-home.com/us/store or call 1-800-944-2904 (Mon to Fri 5 am to 6 pm PST, Sat 6 am to 3 pm PST).

Notes: All height, width and depth dimensions are shown in inches. BSH reserves the absolute and unrestricted right to change product materials and specifications, at any time, without notice. Consult the product's installation instructions for final dimensional data and other details prior to making cutout.

Warranties: Please see Use & Care manual or Bosch website for statement of limited warranty.

For more information on our entire line of products, go to www.bosch-home.com/us or call 1-800-944-2904

© BSH Home Appliances Corporation. All rights reserved. Bosch is a registered trademark of Robert Bosch GmbH.