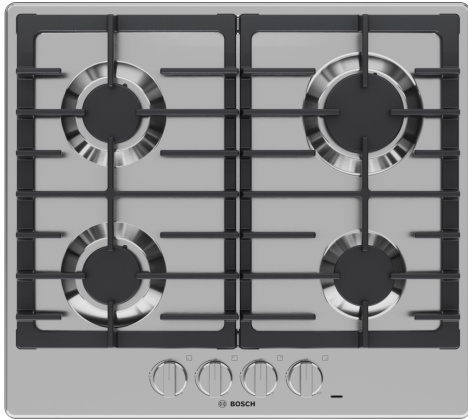


**500 Series, Gas Cooktop, Stainless steel
NGM5453UC**



The 500 Series gas cooktops are engineered to deliver perfect results with minimal effort.

- **4 Burners:** 4 high-efficiency gas burners allow you to cook multiple dishes at once
- **Easy-to-Clean:** a one-piece stainless steel design makes clean-up easy.
- **FlameSafe Thermocouple Sensor:** shuts off the gas supply if flame is extinguished.

UPC code: 825225969471
 Color: Stainless steel
 Energy source: Gas
 Gas type: Natural gas 15 mbar (USA)
 Alternative gas type: Liquid gas 27,5 mbar (USA)
 Fuse protection: 10 A
 Volts: 110 V
 Frequency: 50-60 Hz
 Power Cord Length: 40"
 Plug type: 120V-3 prong
 Required Cutout Size (HxWxD) (in): 2 3/4" x 22" x 19 1/4"
 Overall appliance dimensions (HxWxD) (in): 2 3/4" x 22" x 20 1/2"
 Product Packaging Dimensions (HxWxD): 9.05 x 23.22 x 25.98
 Net Weight: 27.000 lbs
 Gross weight: 31.000 lbs
 Total number of cooktop burners: 4



500 Series, Gas Cooktop, Stainless steel NGM5453UC

The 500 Series gas cooktops are engineered to deliver perfect results with minimal effort.

Performance

- 4 high-efficiency gas burners
- Distinctive single red LED light indicates burners are on

Convenience

- Porcelain enamel on cast iron grates

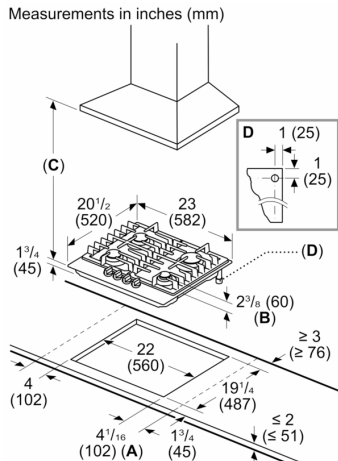
Design

- Heavy-duty stainless color metal knobs for a premium look and feel
- Perfect results are within reach with up-front centralized controls
- Low-profile design for an integrated transition to the counter surface

Safety

- FlameSafe thermocouple sensing device will switch off the gas supply if flame temporarily extinguishes
- LP Conversion Kit Included for Conversion from Natural Gas to Liquid Propane

500 Series, Gas Cooktop, Stainless steel NGM5453UC



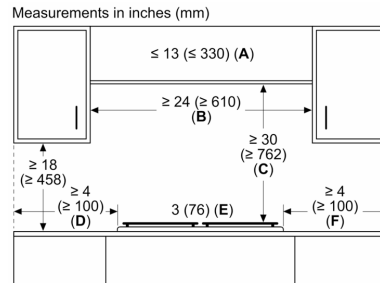
A: 5¹/₁₆" (129 mm) required when installed with a built-in oven

Refer to the "Bosch under cooktop built-in guide" for more details

B: Dimension from countertop to top of grates

C: When installed in combination with a hood, refer to hood manufacturer's requirements for installation

D: Gas connection



A: Cabinet depth (from back wall)

B: Centered over cooktop

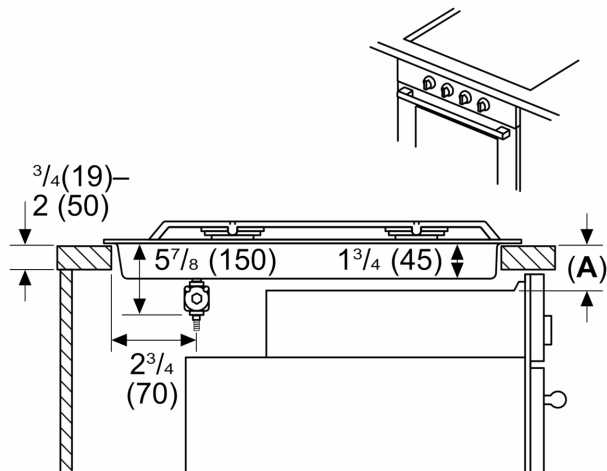
C: Above counter to combustible surface

D: Left side

E: Rear wall

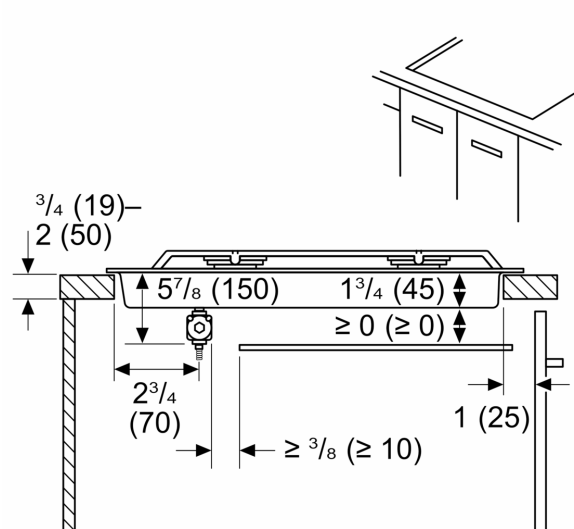
F: Right side

Measurements in inches (mm) Cooktop over oven



A: Refer to approved combination matrix

Measurements in inches (mm) Cooktop over door



Measurements in inches (mm)
Cooktop over drawer

