

Microwave

Use and Care Manual

300 SERIES
HMV3053C



BOSCH

Invented for life



Table of Contents

▲ Safety Definitions	3	Cooking Charts	17
▲ PRECAUTIONS TO AVOID POSSIBLE EXPOSURE TO EXCESSIVE MICROWAVE ENERGY	3	Cooking meat in your microwave	17
IMPORTANT SAFETY INSTRUCTIONS	4	Cooking poultry in your microwave	17
GROUNDING INSTRUCTIONS	4	Cooking eggs in your microwave	17
TV / Radio Interference	5	Cooking vegetables in your microwave	17
Intended Use	5	Cooking seafood in your microwave	18
Child Safety	5	Cleaning and Maintenance	18
Cleaning Safety	5	Cleaning	18
Cooking Safety	5	Maintenance	20
In Case of Fire	6	Before Calling for Service	21
Liquids	6	Bosch® Support	23
Cooking Items	6	Before Calling Service	23
Cooking Utensils	7	Data Plate	23
Glass Tray / Turntable Ring	7	Service	23
Exhaust Mode Operation	7	Parts and Accessories	23
Thermometers	7	STATEMENT OF LIMITED PRODUCT WARRANTY ..	24
Pacemakers	7	What this Warranty Covers & Who it Applies to	24
State of California Proposition 65 Warnings	8	How Long the Warranty Lasts	24
Fan Motor Operation	8	Repair/Replace as Your Exclusive Remedy	24
Room Venting with Carbon Filter	8	Out of Warranty Product	24
Causes of Damage	9	Warranty Exclusions	24
Protecting the environment	9	Obtaining Warranty Service	25
Getting Started	10		
Parts	10		
Control Panel	10		
Accessories	11		
Before Using the Appliance for the First Time	12		
Cleaning accessories	12		
Operation	12		
Setting the clock	12		
Setting the Timer	12		
Operating the Ventilation Fan	12		
Turning the Light on/off	12		
Operating the microwave	12		
Adding cook time (+30 Seconds)	14		
Defrost	14		
Reheat	15		
Convenience Operation	16		
Beverage	16		
Potato	16		
Popcorn	16		
Convenience cooking suggestions	16		

Additional information on products, accessories, replacement parts and services can be found at www.bosch-home.com and in the online shop www.bosch-home.ca/en/service/cleaners-and-accessories

This Bosch Appliance is made by
BSH Home Appliances Corporation
1901 Main Street, Suite 600
Irvine, CA 92614

Questions?

1-800-944-2904

www.bosch-home.com/us

We look forward to hearing from you!

Safety Definitions

WARNING

This indicates that death or serious injuries may occur as a result of non-observance of this warning.

CAUTION

This indicates that minor or moderate injuries may occur as a result of non-observance of this warning.

NOTICE: This indicates that damage to the appliance or property may occur as a result of non-compliance with this advisory.

Note: This alerts you to important information and/or tips.

PRECAUTIONS TO AVOID POSSIBLE EXPOSURE TO EXCESSIVE MICROWAVE ENERGY

PRECAUTIONS TO AVOID POSSIBLE EXPOSURE TO EXCESSIVE MICROWAVE ENERGY

- (1) Do not attempt to operate this oven with the door open, since open-door operation can result in harmful exposure to microwave energy. It is important not to defeat or tamper with the safety interlocks.
- (2) Do not place any object between the oven front face and the door or allow soil or cleaner residue to accumulate on sealing surfaces.
- (3) Do not operate the oven if it is damaged. It is particularly important that the oven door close properly and that there is no damage to the:

- door (bent)
- hinges and latches (broken or loosened)
- door seals and sealing surfaces.

(4) The oven should not be adjusted or repaired by anyone except authorized service personnel. Improper installation, service or maintenance can cause injury or property damage. Refer to this manual for guidance. Refer all servicing to a factory authorized servicer.



IMPORTANT SAFETY INSTRUCTIONS

READ ALL INSTRUCTIONS BEFORE USING THE APPLIANCE

WARNING

To reduce the risk of burns, electric shock, fire, injury to persons, or exposure to excessive microwave energy, read all instructions before using the appliance.

WARNING

If the information in this manual is not followed exactly, fire or shock may result causing property damage or personal injury.

When using electrical appliances basic safety precautions should be followed, including the following:

Read and follow the specific “PRECAUTIONS TO AVOID POSSIBLE EXPOSURE TO EXCESSIVE MICROWAVE ENERGY” found in the Safety Instructions chapter.

This appliance must be grounded. Connect only to properly grounded outlet (see GROUNDING INSTRUCTIONS).

Install or locate this appliance only in accordance with the provided installation instructions.

Some products such as whole eggs and sealed containers – for example, closed glass jars – can explode and should not be heated in this oven.

Use this appliance only for its intended use as described in the manual. Do not use corrosive chemicals or vapors in this appliance. This type of oven is specifically designed to heat, cook, or dry food. It is not designed for industrial or laboratory use.

As with any appliance, close supervision is necessary when used by children (see CHILD SAFETY).

This appliance should be serviced only by authorized service personnel. Contact nearest authorized service facility for examination, repair, or adjustment.

Do not cover or block any vents or openings on the appliance.

Do not store this appliance outdoors. Do not use this product near water – for example, near a kitchen sink, in a wet basement, near a swimming pool, or similar locations.

Do not immerse cord or plug in water.

Keep cord away from heated surfaces.

Do not let cord hang over edge of table or counter.

Do not operate this appliance if it has a damaged cord or plug, if it is not working properly, or if it has been damaged or dropped.

When cleaning surfaces of door and oven that come together on closing the door, use only mild, nonabrasive soaps, or detergents applied with a sponge or soft cloth. See door surface cleaning instructions in chapter “Cleaning and Maintenance”.

To reduce the risk of fire in the oven cavity:

- Do not overcook food. Carefully attend appliance when paper, plastic, or other combustible materials are placed inside the oven to facilitate cooking.
 - Remove wire twist-ties from paper or plastic bags before placing bag in oven.
 - If materials inside the oven ignite, keep oven door closed, turn oven off, and disconnect the power cord, or shut off power at the fuse or circuit breaker panel.
 - Do not use the cavity for storage purposes. Do not leave paper products, cooking utensils, or food in the cavity when not in use.
-

WARNING

RISK OF INJURY

The light emitted by LED lights is very dazzling, and can damage the eyes (risk group 1). Do not look directly into the switched on LED lights for longer than 100 seconds.

WARNING

RISK OF INJURY

The light emitted by LED lights is very dazzling, and can damage the eyes (risk group 1M in accordance with EN 60825-1). When the LED lights are switched on, do not look directly into the light using optical aids such as binoculars or a magnifying glass.

GROUNDING INSTRUCTIONS

This appliance must be grounded. Grounding reduces risk of electric shock by providing a safe pathway for electric current in the event of a short circuit. This oven is equipped with a cord having a grounding wire with a grounding plug. The plug must be plugged into an outlet that is properly installed and grounded.

WARNING - Improper grounding can result in a risk of electric shock.

Consult a qualified electrician if grounding instructions are not completely understood, or if doubt exists as to whether the oven is properly grounded.

Do not use an extension cord. If the product power cord is too short, have a qualified electrician install a three-slot receptacle. This oven should be plugged into a separate 60 Hertz circuit with the electrical rating as shown in specifications table. When the oven is on a circuit with other equipment, an increase in cooking times may be required and fuses can be blown.

Microwave operates on standard household current, 110–120 V.

IMPORTANT SAFETY INSTRUCTIONS

READ ALL INSTRUCTIONS BEFORE USING THE APPLIANCE

TV / Radio Interference

This appliance generates and uses ISM frequency energy. If not installed and used properly, in strict accordance with the manufacturer's instructions, it may cause interference to radio and television reception. It has been type tested and found to comply with limits for ISM equipment pursuant to part 18 of FCC rules, which are designed to provide reasonable protection against such interference in a residential installation. However, there is no guarantee that interference will not occur in a particular installation. Turn the appliance on and off to determine if it causes interference. Try the following to correct the interference:

- Clean door and sealing surface of the oven.
- Reorient the receiving antenna of the radio or television.
- Relocate the microwave oven with respect to the receiver.
- Move the microwave oven away from the receiver.
- Plug the microwave into a different outlet so that the oven and the receiver are on different branch circuits.

The manufacturer is not responsible for any radio or TV interference caused by unauthorized modification to this microwave oven. It is the responsibility of the user to correct such interference.

Intended Use

This appliance is intended for normal family household use only. It is not approved for outdoor use. See the Statement of Limited Product Warranty. If you have any questions, contact the manufacturer.

Do not use the cavity for storage purposes. Do not leave paper products, cooking utensils, or food in the cavity when not in use.

Do not operate oven when room humidity is excessive.

This oven is suitable for use above both gas and electric cooking equipment 36" (914 mm) or less wide.

Child Safety

Do not allow children to use this appliance. Failure to do so can result in burns or serious injury to children. Children and pets should not be left alone or unattended in the area where the appliance is in use. They should never be allowed to play in its vicinity, whether or not the appliance is in use.

When children become old enough to use the appliance, it is the responsibility of the parents or legal guardians to ensure that they are instructed in safe practices by qualified persons.

Do not allow anyone to climb, stand, lean, sit, or hang on any part of an appliance, especially a door, warming drawer, or storage drawer. This can damage the appliance, and the unit may tip over, potentially causing severe injury.

Cleaning Safety

Clean exhaust filters frequently - Do not allow grease to accumulate on the hood or filters. Fire could result.

Use care when cleaning the exhaust filters. Corrosive cleaning agents, such as lye-based oven cleaners may damage the filter (Refer to the CLEANING section in this manual).

Clean turntable roller rest and oven bottom frequently to prevent excessive noise.

CAUTION

Grease left on filters can remelt and move into the vent.

WARNING

Be sure the entire appliance (including the grease filters and light bulbs) has cooled and grease has solidified before attempting to clean any part of the appliance.

Cooking Safety

CAUTION

To avoid personal injury or property damage, observe the following:

- Do not leave oven unattended while in use.
- Do not store flammable material next to or in the oven.
- When flaming foods under the microwave, always turn the fan on.
- Do not operate the oven while empty. This could damage the oven and result in a risk of fire.
- Do not store or use corrosive chemicals, vapors, flammables or nonfood products in or near this appliance. It is specifically designed for use when heating or cooking food. The use of corrosive chemicals in heating or cleaning will damage the appliance and could result in injury.
- Do not dry clothes, newspapers or other materials in the oven. Do not use newspapers or paper bags for cooking. Fire could result.
- Do not use recycled paper products unless labeled safe for microwave use. They may contain impurities which may cause sparks and result in fires when used.
- Always use potholders when removing items from the oven. The cooking container and the glass tray can be hot even if the oven is cool.
- Whenever possible, do not operate the ventilation system during a cooktop fire. However, do not reach through fire to turn it off.
- Do not mount over sink.

⚠ IMPORTANT SAFETY INSTRUCTIONS

READ ALL INSTRUCTIONS BEFORE USING THE APPLIANCE

- Do not store anything directly on top of the appliance surface when the appliance is in operation.. •Oversized food or oversized metal utensils should not be inserted in a microwave oven as they may create a fire or risk of electric shock.
- Do not clean with metal scouring pads. Pieces can break off the pad and touch electrical parts involving a risk of electric shock.
- Do not store any materials, other than manufacturer's recommended accessories, in this oven when not in use.
- Do not cover racks or any other part of the oven with metal foil. This will cause overheating of the oven.
- Do not use paper products when appliance is operated in the toaster mode.

WARNING

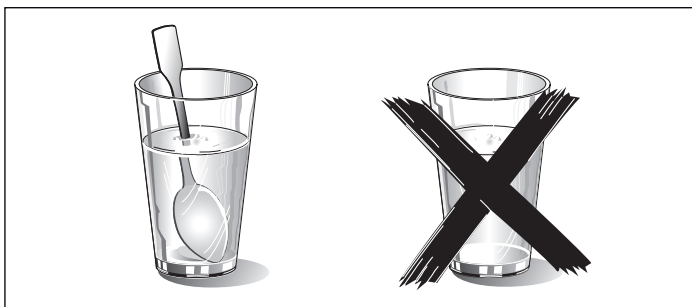
Do not operate gas cooktop burners without pots in place. The open flame may overheat the microwave oven above.

In Case of Fire

If materials inside an oven should ignite:

1. Keep door closed
2. Turn appliance off
3. Unplug the appliance or shut off at fuse or circuit breaker

Liquids



Liquids, such as water, coffee, or tea could be overheated. They can be heated beyond the boiling point without appearing to boil. For example, visible bubbling or boiling when the container is removed from the microwave oven is not always present. THIS COULD RESULT IN VERY HOT LIQUIDS SUDDENLY BOILING OVER WHEN THE CONTAINER IS DISTURBED OR A UTENSIL IS INSERTED INTO THE LIQUID.

When heating liquids, always place a glass rod/spoon in the container. This will prevent delayed boiling.

CAUTION

Metal e.g. a spoon in a glass must be kept at least 1 inch (25 mm) from the oven walls and the inside of the door. Sparks could irreparably damage the glass on the inside of the door.

- Take ready meals out of the packaging. They will heat up more quickly and evenly in microwaveable ovenware. The different components of the meal may not require the same amount of time to heat up.
- Always cover the food. If you do not have a suitable cover for your container, use a plate or special microwave foil.
- Stir or turn the food several times during cooking. Check the temperature.
- After heating, allow the food to stand for a further 2 to 5 minutes so that it can achieve an even temperature.
- Always use an oven cloth or oven gloves when removing plates from the oven.

Cooking Items

Eggs: Do not cook or reheat whole eggs, with or without shell. Steam buildup in whole eggs may cause them to explode, and possibly damage the oven or cause injury. Reheating sliced hard-boiled eggs and cooking scrambled eggs is safe.

Popcorn: Use only popcorn in packages designed and labeled for microwave use, or pop it in a microwave oven corn popper. Follow popcorn manufacturers' directions and use a brand suitable for the wattage of your oven. Do not continue to heat after popping has stopped. Popcorn will scorch or burn. Do not leave oven unattended.

CAUTION

When using pre-packaged microwave popcorn, check package weight before using the popcorn function. Set the oven for the weight of the popcorn package. If these instructions are not followed, popcorn may not pop adequately or may ignite and cause fire.

Foods with nonporous skins: Potatoes, tomatoes, sweet potatoes, apples, whole squash and sausages are examples of foods with nonporous skins. These types of foods must be pierced before cooking to prevent them from exploding.

Baby food / Baby formula: Do not heat baby bottles or food in microwave oven. The glass jar or the surface of food may appear warm while the interior can burn the infant's mouth and esophagus.

IMPORTANT SAFETY INSTRUCTIONS

READ ALL INSTRUCTIONS BEFORE USING THE APPLIANCE

Deep fat frying: Do not deep fat fry in oven. Oil can be heated beyond ideal temperatures very quickly in a microwave oven. Temperatures can climb high enough for the cooking oils to reach their respective flash points and burst into flames. The heated oil may bubble and spatter causing possible damage to the oven and perhaps result in burns. Additionally, microwave-safe utensils may not be able to withstand the temperature of the hot oil, and could result in the utensil shattering, if it contains a slight imperfection, scratch or chip.

Home Canning / Drying foods / Small quantities of foods: Do not use microwave oven for home canning or heating of any closed jar. Pressure will build up and the jar may explode. In addition, the oven cannot maintain the food at the proper canning temperature. Improperly canned food may spoil and be dangerous to consume. Small quantities of food or foods with low moisture content can dry out, burn or catch on fire.

Do not dry meats, herbs, fruits or vegetables in your oven.
Proper cooking depends on time set and weight of food. If you use a smaller portion than recommended and cook at the time for the recommended portion, fire could result.

Browning dishes: Microwave browning dishes or grills are designed for microwave cooking only. Preheating times vary depending on the size of the browning dish and food being cooked. Always follow instructions provided by the browning dish or grill manufacturer. Do not preheat browning dishes more than 6 minutes.

Oven roasting bags: If an oven bag is used for microwave cooking, prepare according to package directions. Do not use wire twist-ties to close bags, instead use nylon ties, cotton string or a strip cut from the open end of the bag. Make six 1/2" (12.7 mm) slits by closure. Place oven cooking bag in a dish slightly larger than the food being cooked.

Cooking Utensils

See also **Microwave Utensil Guide**.

Cooking utensils, the glass tray and racks get hot during microwaving. Always use potholders when removing items from the oven. Allow the glass tray and the metal racks (if used) to cool before handling.

Do not use metal utensils, or dishes with metallic trim in the oven.

When using aluminum foil in the oven, allow at least 1 inch (25 mm) of space between foil and interior oven walls or door.

The glass tray and the metal racks (if used) will get hot during cooking. The cooking container and the glass tray can be hot even if the oven is cool.

Never use paper, plastic, or other combustible materials that are not intended for cooking.

When cooking with paper, plastic, or other combustible materials, follow manufacturer's recommendations on product use. Do not use paper towels which contain

nylon or synthetic fibers. Heated synthetics could melt and cause paper to ignite.

Do not heat sealed containers or plastic bags in oven. Food or liquid could expand quickly and cause container or bag to break. Pierce or open container or bag before cooking.

Glass Tray / Turntable Ring

Do not operate the oven without the turntable roller rest and the glass tray in place.

Do not operate the oven without the glass tray in place. Improper cooking or damage to the oven could result. Verify that the glass tray is properly positioned and turning when the oven is in use.

Note: The glass tray can turn in either direction.

Only use the glass tray designed for this oven. Do not substitute any other tray.

Allow the glass tray to cool before cleaning or placing in water.

Do not place food directly on the glass tray. Always place food in a microwave safe dish.

Always replace the turntable ring and the glass tray in their proper positions.

The turntable ring must always be used for cooking along with the glass tray.

Exhaust Mode Operation

When the microwave is operated in exhaust mode simultaneously with a different burner, care must be taken to ensure that there is an adequate supply of fresh air which will be needed by the burner for combustion.

WARNING

Avoid carbon monoxide poisoning - Provide adequate air intake so combustion gases are not drawn back into the room.

Thermometers

Do not use regular cooking thermometers in oven. Most cooking thermometers contain mercury and may cause electrical arc, malfunction, or damage to the oven.

Pacemakers

CAUTION

To avoid pacemaker malfunction, consult physician or pacemaker manufacturer about effects of microwave energy on pacemaker.

IMPORTANT SAFETY INSTRUCTIONS

READ ALL INSTRUCTIONS BEFORE USING THE APPLIANCE

Proposition 65 Warning:

This product may contain a chemical known to the State of California, which can cause cancer or reproductive harm. Therefore, the packaging of your product may bear the following label as required by California:

STATE OF CALIFORNIA PROPOSITION 65 WARNING:

 **WARNING**

Cancer and Reproductive Harm - www.P65Warnings.ca.gov

Fan Motor Operation

After using the oven the fan motor can continue to run to cool the electric components. This is perfectly normal, and you can take out the food from the oven while the fan operates.

Room Venting with Carbon Filter

The charcoal filter, which was enclosed with your microwave oven, binds the odorous substances.

Note: If no charcoal filter is installed, it is not possible to bind the odorous substances in the cooking vapours.

SAVE THESE INSTRUCTIONS.

Causes of Damage

NOTICES:

- Metal - e.g. a spoon in a glass - must be kept at least 1 inch (25 mm) from the oven walls and the inside of the door. Sparks could irreparably damage the glass on the inside of the door.
- Water in the hot oven interior: Never pour water into the hot oven interior. Steam is produced. Damage to the enamel can arise due to the temperature change.
- Do not leave moist groceries in a closed oven for an extended period of time. It can lead to corrosion inside the oven.
- Fruit juice can leave stains in the oven. Always remove fruit juice immediately when safe to touch, and wipe up first with a damp and then a dry cloth.
- Cooling with the appliance door open: only allow the oven cavity to cool when it is closed. Even if the appliance door is only open a little, front panels of adjacent units could be damaged over time.
- Highly soiled door seal: the appliance door will no longer close properly during operation if the door seal is highly soiled. Adjoining furniture fronts may be damaged. Always keep the door seal clean.
- Appliance door as a seat or storage surface: do not stand, sit or hang on the appliance door. Do not place any cookware or accessories on the appliance door.
- Inserting accessories: depending on the appliance type, accessories can scratch the door pane when closing the appliance door. Always slide accessories fully into the oven interior.
- Do not hold or carry the appliance by the door handle. The door handle cannot carry the weight of the device and could break off, or the hinges can be damaged.
- Operating the microwave without food in the oven cavity may lead to overloading. Never run the microwave unless there is food in the oven cavity. An exception to this rule is a short ovenware test (see the section "Microwave, suitable ovenware"), or an AutoChef mode that needs pre-heating.
- Always set the microwave power as recommended for the food. High power settings can overheat foods very quickly.
- The turntable may jump if overloaded.

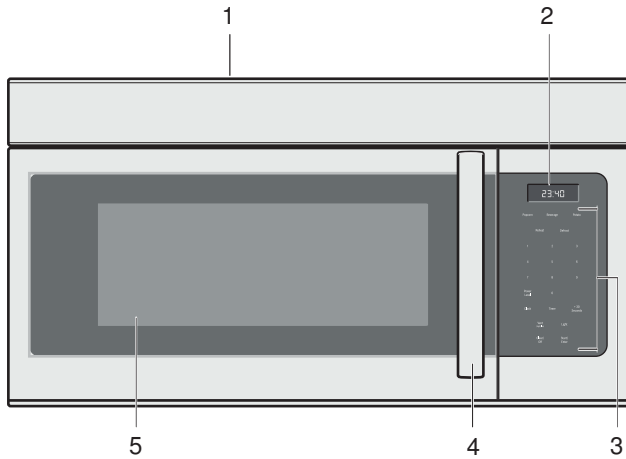
Protecting the environment

Unpack the appliance and dispose of the packaging in an environmentally friendly manner.

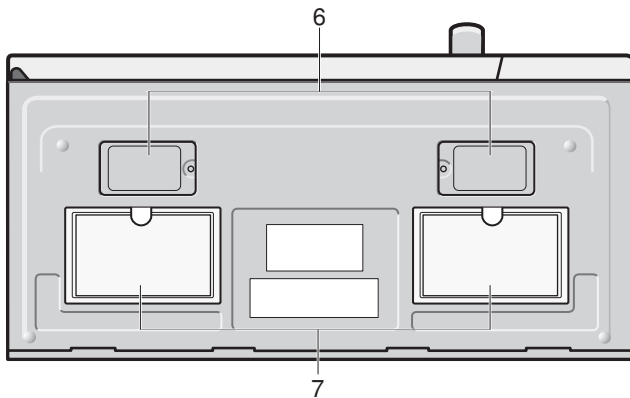
Getting Started

Parts

Front view



Bottom view



1	Top vent grill
2	Display
3	Control panel
4	Door handle
5	Window
6	Surface lights (LED)
7	Ventilation filters

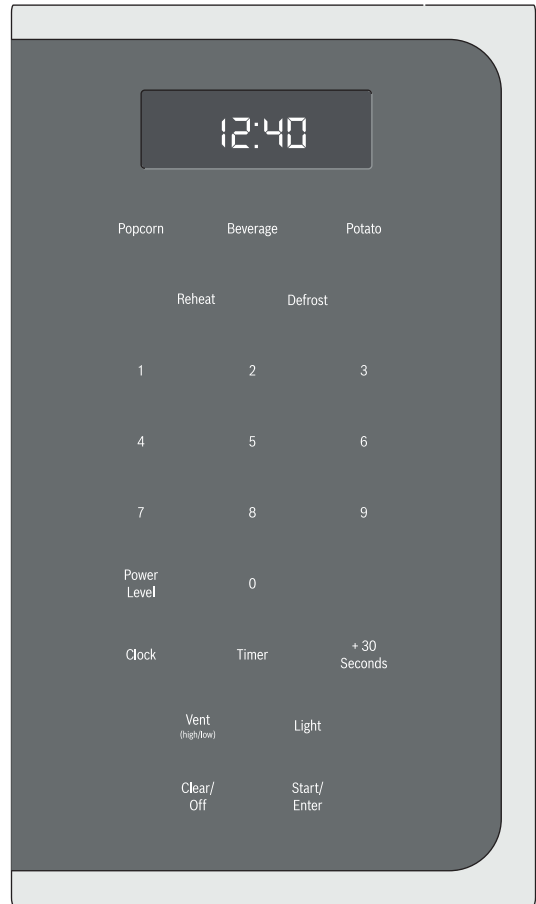
Cooling Fan

The cooling fan runs during all cooking modes. The fan can be heard when it is running, and warm air may be felt as it is released from the oven vent. The fan may also run after the oven is off.

Oven Vent

The oven vent is located at the top of the unit. Warm air may be released from the vent before, during and after cooking. It is normal to see steam escaping from the vent, and condensation may collect in this area. This area may be warm when the oven is in use. Do not block the vent, since it is important for air circulation.

Control Panel



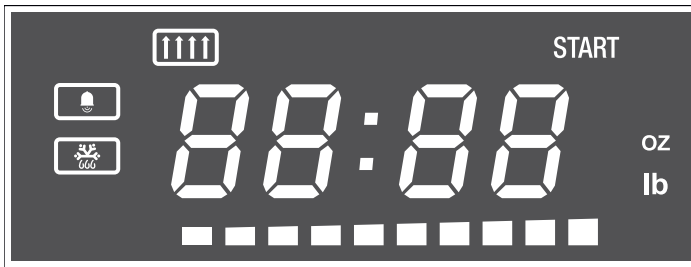
Touch keys

You can activate a function by briefly touching the corresponding touch key. Each time you touch a key a short beep will sound. A long beep will tell you that you have made an invalid input.

Touch key	Function
Popcorn	Select popcorn packet size
Beverage	Heat beverage, select beverage size
Potato	Cook potatoes
Reheat	Reheat food with automatic settings
Defrost	Defrost food with automatic settings
0 - 9	Use the number keys to enter customized values
Power Level	Set power level for microwave operation
Clock	Set time of day
Timer	Set cook time
+30 sec	Add 30 seconds to microwave timer
Vent (high/low)	Turn kitchen ventilation feature on/off
Light	Turn surface light on/off
Clear/Off	Clear entered value/turn appliance off
Start/Enter	Confirm input, start operation

Display elements

The display gives you information on the current settings of your appliance. Blinking display symbols indicate that an input is required.

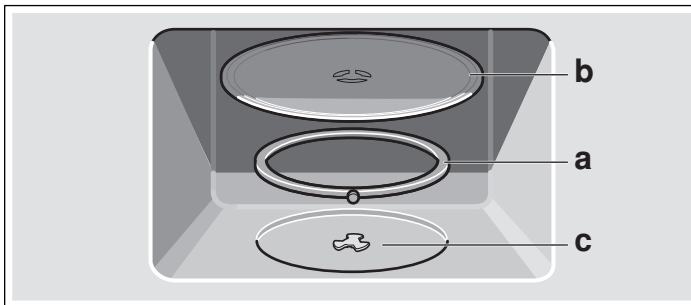


	Vent fan on
	Kitchen timer
	Defrost
START	Confirmation with Start/Enter key required when blinking
oz lb	Numeric display shows weight in Ounces/Pounds
	Status bar for microwave power level
88:88	Numeric display for time, temperature or weight, depending on the unit displayed next to it

Accessories

How to fit the turntable

1. Place the roller rest **a** in the recess in the oven cavity.
2. Let the turntable **b** slot in place in the drive **c** in the center of the floor of the oven cavity.



Note: Do not use the appliance if the turntable is not in place. Ensure that it is properly slotted into place and rotates freely when the microwave is operated.

Microwave utensil guide

Suitable ovenware

- **Heat-resistant glass, glass ceramic and earthenware:**
Utility dishes, loaf dishes, pie plates, cake plates, liquid measuring cups, casseroles and bowls without metallic trim (e.g. Pyrex®, Anchor Hocking™, Corning Ware®, Emile Henry, etc.).
- **China:**
Bowls, cups, serving plates and platters without metallic trim.

- **Plastic films and wraps:**

Plastic wrap (as a cover) - lay the plastic wrap loosely over the dish and press it to the sides. Vent plastic wrap by turning back one edge slightly to allow excess steam to escape. The dish should be deep enough so that the plastic wrap will not touch the food.

- **Microwave-safe plastics:**

Microwave-safe plastic dishes, cups, semi-rigid freezer containers and plastic bags for short cooking times. Use these with care because the plastic may soften from the heat of the food.

- **Paper products:**

Paper towels, wax paper, parchment paper, paper napkins and paper plates with no metallic trim or design. Look for the manufacturers label for any special instructions for use in the microwave oven.

Unsuitable ovenware

- **Metal utensils and cookware:**

Metal shields the food from microwave energy and produces uneven cooking. Also, avoid metal skewers, thermometers or foil trays. Metal utensils can cause arcing, which can damage your microwave oven.

- **Metal decoration:**

Bowls, cups, serving plates and platters with metallic trim.

- **Aluminum foil:**

Avoid large sheets of aluminum foil because they hinder cooking and may cause harmful arcing. Use small pieces of foil to shield poultry legs and wings. Keep ALL aluminum foil at least 1 inch (25 mm) from the side walls of the oven cavity and door of the microwave.

- **Wood:**

Wooden bowls and boards will dry out and may split or crack when you use them in the microwave oven. Baskets made of wood will react in the same way.

- **Tightly covered cookware:**

Be sure to leave openings for steam to escape from covered cookware. Pierce plastic pouches of vegetables or other food items before cooking. Tightly closed pouches may explode.

- **Brown paper:**

Avoid using brown paper bags. They absorb heat and can burn.

- **Flawed or chipped cooking utensils:**

Any utensil that is cracked, flawed or chipped may break in the oven.

- **Metal twist ties:**

Remove metal twist ties from plastic or paper bags. They become hot and could cause a fire.

Ovenware test

Do not turn on the microwave unless there is food inside. The following ovenware test is the only exception to this rule.

Perform the following test if you are unsure whether your ovenware is suitable for use in the microwave:

1. Heat the empty ovenware at maximum power for ½ to 1 minute.
2. Check the temperature occasionally during that time. The ovenware should still be cold or warm to the touch. The ovenware is unsuitable if it becomes hot or if sparks are generated.

Before Using the Appliance for the First Time

- Appliance must be properly installed by a qualified technician before use.
- Remove all packing materials from inside and outside the oven.
- While cool, wipe with a clean, damp cloth and dry.
- There may be a slight odor from your new appliance; this is normal and will disappear after a short time.
- Optimum cooking results depend on proper cookware being used.

- Read and understand all safety precautions and Use and Care Manual information.

Execute the following sections prior to operating:

The appliance must be completely fitted and connected.

Cleaning accessories

Before using accessories for the first time, thoroughly clean them with hot soapy water and a soft dish cloth.

Operation

Setting the clock

The clock can be set in 12-hour mode.

1. Touch **Clock** once.
2. Enter the time using the number keys.
Example: To set the clock to 12:41 type in 1 2 4 1.
3. Touch **Clock** to confirm.
The time of day is displayed.

Setting the Timer

The Timer feature can be used as a kitchen timer. The maximum timer value is 99:99 (minutes : seconds).

1. Touch **Timer** once.
2. Enter the desired time using the number keys.
3. Touch **Timer** to confirm.

The Timer starts counting down.

Once the set time has elapsed, **0:00** appears in the display and an intermittent beep indicating that the timer has run out.

To stop the beep, touch **Timer**.

Operating the Ventilation Fan

The Vent feature moves steam and other cooking vapors from the cooking surface of the range below the microwave oven.

1. Touch **Vent (high/low)** once. The ventilation symbol **||||** lights up on the display and the fan operates at the highest setting.
2. Touch **Vent (high/low)** again to choose the low speed setting and a third time to turn the ventilation fan off.

Note: If the temperature gets too hot around the microwave oven, the fan of the vent feature will automatically turn on at the lowest setting to cool the oven. The fan will automatically turn off when the internal parts are cool. When this occurs, the vent cannot be turned off.

Turning the Light on/off

Touch **Light** once to turn on a cooking surface light. Touch the key again to turn the light off.

Operating the microwave

The appliance must be turned off.

1. Enter the desired cooking duration with the number keys. The timer display will fill in from right to left. Example: To set a microwave cooking time of 20 minutes and 30 seconds, enter the numbers 2 0 3 0. **START** is blinking.

- You can start microwave operation with the default power level 10 by touching **Start/Enter**, or - you can adjust the power level. Touch **Power Level**. The default power level **PL 10** is blinking. The segments in the bar underneath the number display also indicate the power level.
- Enter the desired power level using the number keys. **PL** and the selected power level and **START** are blinking in the display.



- Touch **Start/Enter** to start microwave operation. The microwave timer will start to count down. The microwave timer can be changed during operation by touching **+30 Seconds**. The power level can be changed during operation. To display the set power level, touch **Power Level**. Once the microwave time has run out, four beeps will sound. The appliance turns off and the clock is displayed.

Opening appliance door during operation

Opening the appliance door during operation will interrupt the current mode. Close the appliance door and then touch **Start/Enter** to resume operation.

Cancel operation

Touch **Clear/Off** to cancel the active oven mode. The appliance turns off and the clock is displayed. The cooling fans may continue to run for awhile and then switch off automatically.

Microwave power levels

The 10 power levels available with this microwave will help you to adjust to the power output best suited for the food type you are preparing. As with any food preparation in the microwave, it is best to follow the microwave instructions that are printed on the food packaging.

The table below provides suggested power levels for various types of food that can be prepared in the microwave.

Power level	Microwave output	Use for
10 High	100%	Boiling water Cooking ground meat Making candy Cooking fresh fruit & vegetables Cooking fish & poultry Preheating browning dish Reheating beverages Cooking bacon slices
9	90%	Reheating meat slices quickly Saute onions, celery & green peppers
8	80%	All reheating Cooking scrambled eggs
7	70%	Cooking breads & cereal products Cooking cheese dishes Cooking muffins, brownies & cupcakes Cooking whole poultry
6	60%	Cooking pasta
5	50%	Cooking meat Cooking custard Cooking spare ribs, rib roast & sirloin roast
4	40%	Cooking less tender cuts of meat Reheating frozen packaged foods
3	30%	Thawing meat, poultry & seafood Cooking small quantities of food Finish cooking casseroles, stew & some sauces Melting chocolate
2	20%	Softening butter & cream cheese
1	10%	Softening ice cream Raise yeast dough

Suggestions for best results

To help you achieve the best possible results from your microwave oven, read the following suggestions below:

- Storage temperature**
Foods taken from the freezer or refrigerator take longer to cook.
- Size**
Small pieces of food cook faster than large ones. Pieces similar in size and shape will cook more evenly when cooked together. For more even results, reduce the power levels when cooking large pieces of food.
- Natural moisture**
Very moist foods cook more evenly because microwave energy heats water molecules very efficiently.

- **Stirring**

Stir foods such as casseroles and vegetables from the outside to the center to distribute the heat more evenly. This will allow the food to cook faster. (Constant stirring is not necessary.)

- **Turning**

Turn over foods such as pork chops, roasts or whole cauliflower halfway through the cook time. This will help to expose all sides equally to microwave energy.

- **Placing food**

Place delicate areas of food items, such as asparagus tips, toward the center of the turntable tray.

- **Arranging food**

Arrange unevenly shaped foods, such as chicken pieces or salmon, with the thicker or meatier parts toward the outside of the turntable tray.

- **Letting food stand**

After removing the food from the microwave, cover the food with foil or a casserole lid and let it stand to finish cooking. This will help the food finish cooking in the center and avoids overcooking the outer edges. The length of stand time depends on the density and surface area of the food items.

- **Wrapping foods**

Sandwiches and many other food types containing pre-baked bread should be wrapped in paper towels or wax paper prior to placing in the microwave to help prevent the food items from drying out while heating.

Adding cook time (+30 Seconds)

This time-saving feature will let you quickly add 30 seconds to any cook time. **+30 Seconds** will also start the microwave with 30 seconds at 100% power level. Each time you touch the **+30 Seconds** key, 30 seconds will be added to the cook time.

Defrost


You can set the Defrost mode by entering a time, or a specific weight.

Note: The power level cannot be changed in either defrost mode, as this would adversely affect defrost performance.

Setting Defrost by weight

You can set a weight range between 0.1 and 6.0 lbs.

Example: Defrost 1 lbs. (450 g) of food with the default power level and cook time determined automatically.

1. Touch **Defrost** once. 0.0 lb and the defrost symbol  light up on the display.
2. Use the number keys to enter the weight of the food to defrost in pounds (10 = 1 lb).
3. Touch **Start/Enter**.
The calculated cook time is displayed and begins to count down.

When defrosting has finished, 4 beeps will sound. The appliance turns off and the clock is displayed.

Note: The entered weight must be within the allowed weight range for this feature to start.

Note: A beep sounds during defrosting for all food programs to turn food over or separate pieces.

Setting Defrost by time

You can set a time value up to 99 minutes and 99 seconds.

1. Touch **Defrost** twice. $00:00$ and the  symbol light up on the display.

2. Use the number keys to enter the desired defrost time.

3. Touch **Start/Enter**.

The defrost time starts to count down.

When defrosting has finished, 4 beeps will sound. The appliance turns off and the clock is displayed.

Note: A beep sounds during defrosting for all food programs to turn food over or separate pieces.

Opening appliance door during operation

Opening the appliance door during operation will interrupt the current mode. Close the appliance door and then touch **Start/Enter** to resume operation.

Cancel operation

Touch **Clear/Off** to cancel the active oven mode. The appliance turns off and the clock is displayed.

The cooling fans may continue to run for awhile and then switch off automatically.

Tips for defrosting

WARNING

HEALTH RISK

Liquid will be produced when defrosting meat or poultry. Drain off this liquid when turning meat and poultry, and under no circumstances, use it for other purposes, or allow it to come into contact with other foods.

- Always enter the weight in lbs when using the defrost by weight feature (0.1 to 6.0 lbs).
- Use the defrost mode for raw food items only.
- Defrosting gives best results when food to be thawed is a minimum of 0° F (taken directly from a freezer). If the food has been stored in a refrigerator-freezer that does not maintain a temperature of 5° F or below, always program a lower food weight or lower cook time to prevent cooking the food.
- If the frozen food is stored outside the freezer for up to 20 minutes, enter a reduced cook time or weight.
- The shape of the package will alter the defrosting time. Shallow rectangular food packets defrost more quickly than a deep frozen block of food.
- Separate pieces as they begin to defrost. Separated frozen pieces of food defrost better.

- Shield warm areas of food with small pieces of aluminum foil, if they start to heat up.
Use small pieces of aluminum foil to shield food items like chicken wings, leg tips and fish tails.
Do not allow aluminum foil to touch the oven cavity when defrosting.

Defrosting suggestions for meat

For best results, please read these suggestions when defrosting meat.

Meat	Weight range	Suggestions
Ground meat	0.5 to 2 lbs (8 to 48 oz)	After each stage, remove any pieces of food that are nearly defrosted. Let stand covered with foil for 5 to 10 minutes.
Steaks, chops or fish	0.5 to 3 lbs (8 to 48 oz)	After each stage, rearrange the food. If there are any warm or thawed portions of food, shield them with narrow pieces of aluminum foil. Remove any pieces of food that are nearly defrosted. Let stand covered for about 5 to 10 minutes.
Chicken pieces	0.5 to 3 lbs (8 to 48 oz)	After each stage, rearrange or remove any pieces of food that are nearly defrosted. Let stand covered for 10 to 20 minutes.

Reheat

For your cooking convenience, the reheat feature provides 3 quick preset settings based on serving size to reheat food.

Example: Reheat 32 ounces of food.

1. Touch **Reheat** 3 times to reheat 32 oz. of food.
32 oz will appear in the display (see reheat category table).
2. Touch **Start/Enter**.

Reheat category	Touch Reheat key	Display
8 oz. of food	once	8 oz
16 oz. of food	twice	16 oz
32 oz. of food	3 times	32 oz

Reheat cooking suggestions

Food	Directions	Quantity
Dinner plate	Use only pre-cooked, refrigerated foods. Cover plate with vented plastic wrap or waxed paper, tucked under plate. If food is not hot enough after heating with the Reheat feature, continue heating using manual time and power level setting. Contents: <ul style="list-style-type: none"> • 3-4 oz. meat, poultry or fish (up to 6 oz. with bone) • 1/2 cup starch (potatoes, pasta, rice, etc.) • 1/2 cup of vegetables (about 3-4 oz.) 	1 serving (1 plate)
Casserole, Pasta	Cover plate with lid or vented plastic wrap. If food is not hot enough after heating with the Reheat feature, continue heating using manual time and power level setting. Stir foods once before serving. Contents: <ul style="list-style-type: none"> • Casserole: refrigerated foods (such as beef stew or lasagna) • Pasta: Canned spaghetti and ravioli, refrigerated foods 	1 to 4 servings

Notes

- Cover with vented plastic wrap or wax paper.
- Reheat food on a microwavable dinner plate.

Opening appliance door during operation

Opening the appliance door during operation will interrupt the current mode. Close the appliance door and then touch **Start/Enter** to resume operation.

Cancel operation

Touch **Clear/Off** to cancel the active oven mode. The appliance turns off and the clock is displayed. The cooling fans may continue to run for awhile and then switch off automatically.

Convenience Operation

Beverage

The beverage feature heats 1, 2 or 3 cups of a beverage. Use the table below to determine the setting to use.

Amount	Touch Beverage key
1 cup (about 8 oz.)	once
2 cups (about 16 oz.)	twice
3 cups (about 24 oz.)	3 times

Example: Heat 1 cup of a beverage.

1. Touch **Beverage** once.
2. Touch **Start/Enter**.

When timer has elapsed, 4 beeps will indicated that the program is finished.

Potato

The potato feature cooks 1, 2 or 3 (cooking times based on 8 to 24 oz.) potatoes automatically. Use the table below to determine the setting to use.

Amount	Touch Potato key
1 potato (default setting)	once
2 potatoes	twice
3 potatoes	3 times

Example: Cook 1 potato automatically.

1. Touch **Potato** once.
2. Touch **Start/Enter**.

Convenience cooking suggestions

Convenience mode	Amount	Suggestion
Popcorn	1.75,3.0, 3.5 oz. / 1 pkg.	Cook a single “microwave-only” bag of popcorn at a time. Use caution when removing and opening the hot popcorn bag from the oven. Let microwave oven cool down at least 5 minutes before using again.
Potato	1,2,3 potatoes / 8, 16, 24 oz.	Pierce each potato several times using a fork. Place on turntable in spoke-like fashion. After cooking, let stand for 3–5 minutes. Let oven cool for at least 5 minutes before using again. Use the +30sec pad to increase cook time for larger potatoes.
Beverage	1,2,3 cups / 8 oz,16 oz, 24 oz.	Use a microwave-safe measuring cup or mug; do not cover. Place the beverage in the microwave. After heating, stir well. Let oven cool for at least 5 minutes before using again. Beverages heated with the beverage mode may be very hot. Remove the container with care.

When timer has elapsed, 4beeps will indicated that the program is finished.

Notes

- Before cooking, pierce potatoes with a fork several times.
- After cooking, let potatoes stand for 5 minutes.

Popcorn

▲ CAUTION

Do not leave oven unattended while popping corn. Popcorn may ignite and cause fire.

Setting Popcorn mode

The popcorn feature lets you pop 3 different bag sizes of commercially packaged microwave popcorn. Use the following table to determine the setting to use.

Bag size	Touch Popcorn key
1.75 oz. (default setting)	once
3.0 oz.	twice
3.5 oz.	3 times

Example: Pop a 3.5 oz. bag of popcorn automatically:

1. Touch **Popcorn** three times.
2. Touch **Start/Enter**.

When the microwave time has elapsed 4 beeps will indicate that the program is finished.

Cooking Charts

The charts can be used as a guide. Follow package or recipe directions.

Cooking meat in your microwave

Be sure to place prepared meats on a microwave-safe roasting rack in a microwave-safe dish. Start cooking the meat fat side down and if necessary, use narrow strips of aluminum foil to shield any bone tips or thin meat areas. After cooking, check the temperature in several places

before letting the meat stand the recommended time. Please note that the temperatures in the following charts are temperatures at removal time; the temperature will rise during the standing period.

Meat	Power level	Cook time	Directions
Roast beef (boneless) (up to 4 lbs.)	High (10) for first 5 minutes, then medium (5)	12–17 min./lb. for 160° F (71°C) (Medium) 14–19 min./lb. for 170° F (76°C) (Well Done)	Place roast beef fat-side down on roasting rack. Cover with wax paper. Turn over half way through cooking. Let stand 10–15 minutes.*
Roast pork (boneless or bone-in) (up to 4 lbs.)	High (10) for first 5 minutes, then medium (5)	15–20 min./lb. for 170° F (76°C) (Well Done)	Place roast pork fat-side down on roasting rack. Cover with wax paper. Turn over half way through cooking. Let stand 10–15 minutes.*

*Expect a 10° F rise in the temperature during the standing period.

Stand time

Meat	Doneness	Remove from oven	After standing (10-15 min.)
Beef	Medium	150°F (65°C)	160°F (71°C)
	Well done	160°F (71°C)	170°F (77°C)
Pork	Medium	150°F (65°C)	160°F (71°C)
	Well done	160°F (71°C)	170°F (77°C)
Poultry	Dark meat	150°F (65°C)	150°F (65°C)
	Light meat	160°F (71°C)	160°F (71°C)

Cooking poultry in your microwave

Be sure to place poultry on a microwave-safe roasting rack in a microwave-safe dish. Cover poultry with wax paper to prevent splattering. Use narrow strips of aluminum foil to shield any bone tips or thin meat areas,

or areas that start to overcook. After cooking, check the temperature in several places before letting the meat stand the recommended time.

Meat	Power level	Cook time	Directions
Whole chicken (up to 4 lbs.)	medium high (7) 180° F (82°C) dark meat 170° F (76°C) dark meat	7–10 min. /lb	Place chicken breast-side down on roasting rack. Cover with wax paper. Turn over halfway through cooking. Cook until juices run clear and meat near bone is no longer pink. Let stand for 5–10 min.
Chicken pieces (up to 4 lbs.)	medium high (7) 180° F (82°C) dark meat 170° F (76°C) dark meat	7–10 min. /lb	Place chicken bone-side down on dish, with thickest portions toward the inside of dish. Cover with wax paper. Turn over halfway through cooking. Cook until juices run clear and meat near bone is no longer pink. Let stand for 5–10 min.

Cooking eggs in your microwave

- Never cook eggs in the shell and never warm hard-cooked eggs in the shell; they can explode.
- Always pierce yolk on whole eggs to keep them from bursting.
- Cook eggs just until set; they will become tough if overcooked.
- Cooking scrambled eggs is safe.

Cooking vegetables in your microwave

- Vegetables should be washed just before cooking. Rarely is extra water needed. If dense vegetables such as potatoes or carrots are being cooked, add about ¼ cup of water.
- Small vegetables (sliced carrots, peas, lima beans, etc.) will cook faster than larger vegetables.
- Whole vegetables, such as potatoes, acorn squash or corn on the cob, should be arranged in a circle on the

turntable before cooking. They will cook more evenly if turned over halfway through cooking.

- Always place vegetables like asparagus and broccoli with the stem ends pointing towards the edge of the dish and the tips toward the center.
- When cooking cut vegetables, always cover the dish with a lid or vented microwavable plastic wrap.
- Whole, unpeeled vegetables such as potatoes, sweet potatoes, squash, eggplant, etc., should have their

skin pricked in several locations before cooking to prevent them from bursting.

- For more even cooking, stir or rearrange whole vegetables halfway through the cook time.
- Most of the time, the denser the food, the longer the required standing time. For example, a baked potato should stand for 5 minutes before serving, while a dish of peas may be served immediately.

Cooking seafood in your microwave

Be sure to place fish on a microwave-safe roasting rack in a microwave-safe dish. Be sure to always cook fish until it flakes easily with a fork. Use a tight cover to steam fish; a lighter cover of wax paper or paper towel provides

less steaming. And be sure not to overcook fish; check it for doneness at a minimum cooking time before cooking longer.

Seafood	Power level	Cook time	Directions
Fish steaks up to 1½ lbs	medium high (7)	7–11 min. /lb	Arrange fish on roasting rack with meaty portions towards the outside of rack. Cover with wax paper. Turn over and rearrange halfway through cook time. Cook until fish flakes easily with fork. Let stand 3–5 mins.
Fish fillets up to 1½ lbs.	medium high (7)	7–11 min. /lb	Arrange fillets in a baking dish, turning any thin pieces under. Cover with wax paper. If over ½ inch thick, turn over and rearrange halfway through cook time. Cook until fish flakes easily with fork. Let stand 2–3 mins.
Shrimp up to 1½ lbs.	medium high (7)	7–11 min. /lb	Arrange shrimp in a baking dish without overlapping or layering. Cover with wax paper. Cook until firm and opaque, stirring 2 or 3 times. Let stand 5 mins.

Cleaning and Maintenance

▲ WARNING

Be sure the entire appliance (including the grease filters and light bulbs) has cooled and grease has solidified before attempting to clean any part of the appliance.

▲ WARNING

Light socket is live when door is open if main power supply is not turned off.

▲ WARNING

Make sure the appliance and lights are cool and power to the appliance has been turned off before replacing the light bulb(s). Failure to do so could result in electrical shock or burns. The lenses (if equipped) must be in place when using the appliance. The lenses (if equipped) serve to protect the light bulb from breaking. The lenses (if equipped) are made of glass. Handle carefully to avoid breaking. Broken glass can cause an injury.

Cleaning

Cleaning Guide

- For best performance and for safety reasons, keep the oven clean inside and outside. Take special care to keep the inner door panel and oven front frame free of food and grease build-up.
- Never use abrasive scouring powder or pads on the microwave. Wipe the microwave oven inside and out with a soft cloth and warm (not hot) mild detergent solution. Rinse and wipe completely dry.
- Wipe spatters immediately with a wet paper towel, especially after cooking greasy foods like chicken or bacon.
- Clean your microwave oven weekly or more often, if needed.
- Never operate the oven without food in the oven cavity; this can damage the magnetron tube or glass tray.

You may wish to leave a cup of water standing inside the oven when it is not in use to prevent damage if the oven is accidentally turned on.

Part	Recommendations
Oven cavity	Keep inside (cavity) of the oven clean. Food particles and spilled liquids can stick to the oven walls, causing the oven to work less efficiently. Wipe up spills immediately. Use a damp, clean cloth and mild soap. DO NOT use harsh detergents or abrasive cleaners. To help loosen baked-on food particles or liquids, heat 2 cups of water (add the juice of 1 lemon if you desire to keep the oven fresh smelling) in a 4 cup microwave-safe dish at High power for 5 minutes or until boiling. Let stand in oven cavity for 1 or 2 minutes.
Wire rack	Wash with soapy water. Rinse thoroughly and dry, or gently rub with cleansing powder or soap-filled pads as directed.
Glass turntable tray	Remove glass turntable tray from the oven when cleaning the oven cavity and tray. NOTICE: To prevent the glass turntable from breaking, handle with care and do not put it in water immediately after cooking. Wash the glass turntable tray in warm soapy water or in the dishwasher.
Turntable roller rest	Clean with warm, soapy water. Rinse thoroughly and dry.
Door glass	Wash with soap and water or glass cleaner. Use Fantastik® or Formula 409® on a clean sponge or paper towel and wipe clean. Avoid using abrasive cleaners, like powder cleaning agents, steel wool pads and oven cleaners. If steam accumulates inside or outside the oven door, wipe with a soft cloth. Steam can accumulate when operating the oven in high humidity and in no way indicates microwave leakage.
Painted surfaces	Clean with hot soapy water or apply Fantastik® or Formula 409® to a clean sponge or paper towel and wipe clean. Avoid using abrasive cleaners, like powder cleaning agents, steel wool pads and oven cleaners.
Stainless steel surfaces	Always wipe or rub in the direction of the grain. Clean with a soapy sponge, then rinse and dry, or wipe with Fantastik® sprayed on a paper towel. Protect and polish with Stainless Steel Magic® and a soft cloth. Remove water spots with a cloth dampened with white vinegar. Do not use any cleanser that contains chlorine as these may rust the stainless steel
Plastic & Controls	When cool, clean with soapy water, rinse and dry.
Printed areas (words & numbers)	Do not use abrasive cleaners or petroleum based solvents.

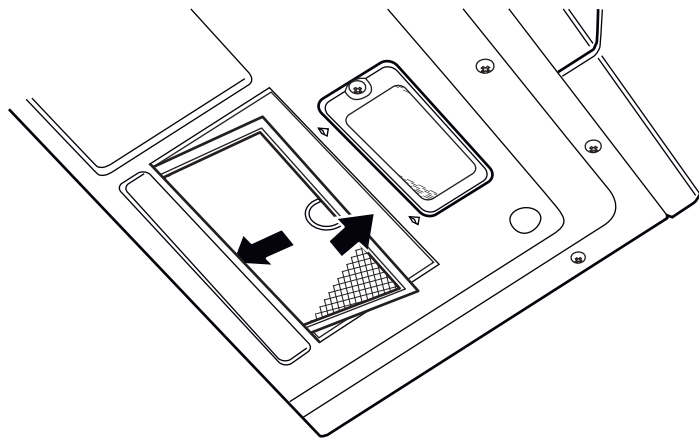
Cleaning the oven vent filters

The oven ventilation filters should be removed and cleaned often; generally at least once every month.

▲ CAUTION

To avoid risk of personal injury or property damage, do not operate oven vent without filters properly in place.

1. To remove the ventilation filters, slide the filter to the rear. Then pull filter downward and push to the other side. The filter will drop out. Repeat for the 2nd filter.



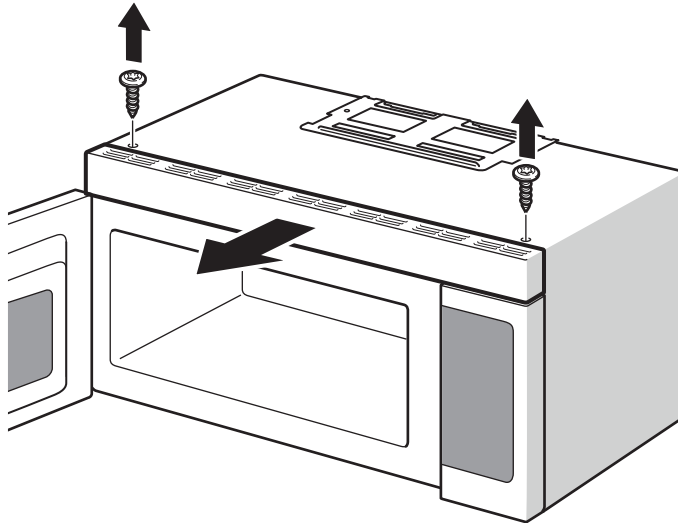
2. Soak the ventilation filters in hot water using a mild detergent. Rinse well and shake to dry. Do not use ammonia or wash in a dishwasher. The aluminum on the filter will corrode and darken.

- To reinstall the ventilation filter, slide it into the side slot, then push up and toward oven to lock. Reinstall the 2nd filter using the same procedure.

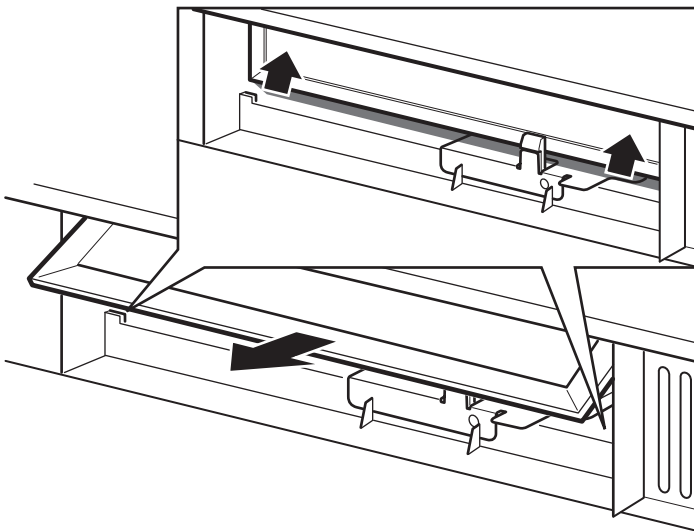
Maintenance

Oven light replacement

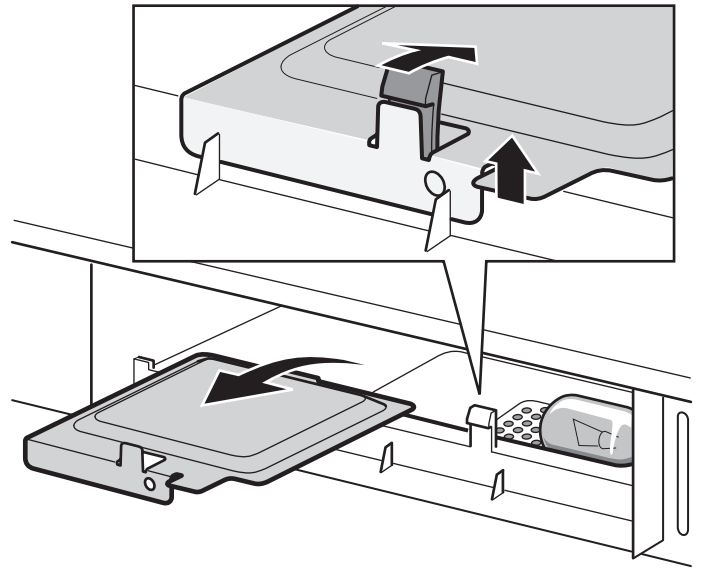
- To replace light bulb, first disconnect power to the microwave oven at the circuit breaker panel or by unplugging.
- Remove the vent grill mounting screws.
- Pull the vent grill away from the unit.



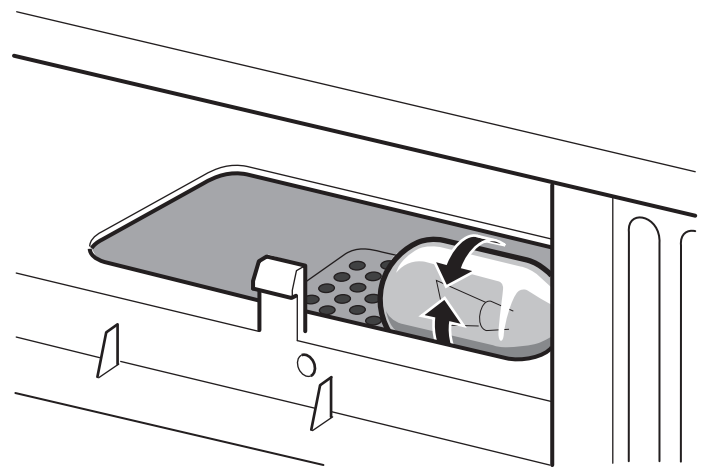
- Remove the charcoal filter by pushing it inwards, then turn and pull it away from the unit.



- Open light cover located behind filter mounting by carefully pulling up on the front edge.



- Remove old light bulb and replace only with equivalent 30 watt bulb available from parts distributor. Bulbs are also available at most hardware stores or lighting centers.



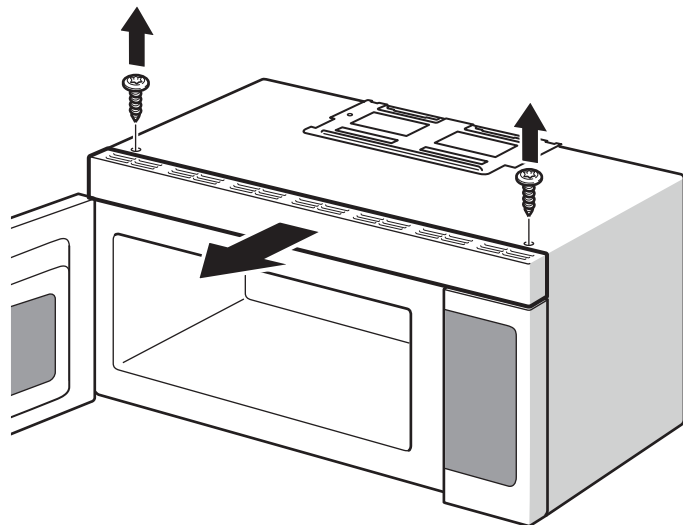
Note: DO NOT USE BULB LARGER THAN 30 WATTS.

- Replace the microwave oven light cover by carefully pushing into place. Replace the charcoal filter. Push the vent grill back into place (engaging both the bottom and top tabs) and replace the vent grill mounting screws

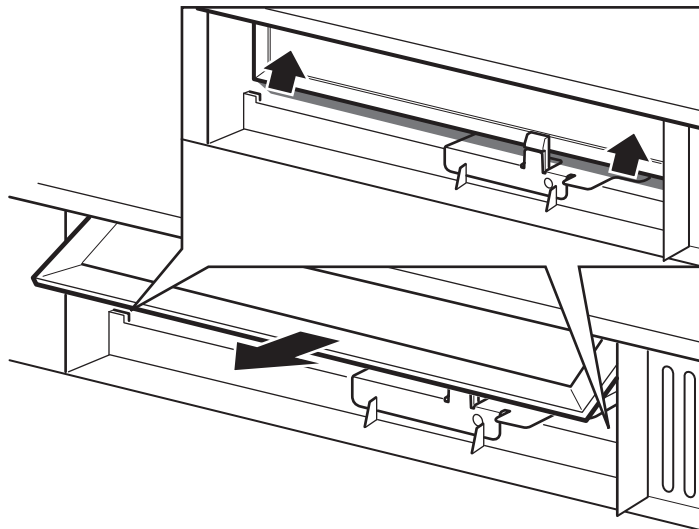
Charcoal filter replacement

The charcoal filter, which was enclosed with your microwave oven, is used for nonvented, recirculated installation (Room Venting). The filter should be changed every 6 to 12 months depending on use.

1. Disconnect power to the microwave oven at the circuit breaker panel or by unplugging.
2. Remove the vent grill mounting screws.
3. Pull the vent grill away from the unit.



4. Change the charcoal filter.



5. Carefully push the vent grill back into place and replace the screws removed in Step 2.

Note: If no charcoal filter is installed, it is not possible to bind the odorous substances in the cooking vapours.

Replacement filters can be purchased from the Bosch eshop, www.bosch-home.com/us/.

Part number 00676120

Before Calling for Service

Before calling Customer Service, consider the suggestions and instructions below:

Problem	Suggestion
Neither the microwave's display nor oven operates.	<ul style="list-style-type: none">• Properly insert the plug into a grounded power outlet.• Remove the plug from the outlet, wait 10 seconds, then plug the microwave in again.• Reset the household circuit breaker or replace any blown fuses.• Plug a different appliance into the power outlet. If the other appliance will not operate, have a qualified electrician repair the outlet.• Plug the microwave into a different power outlet.
Oven display works, but the oven will not operate.	<ul style="list-style-type: none">• Make sure the oven door is closed securely and completely.• Check to see if packing material or other materials are stuck to the door seal.• Check for damage to the oven door.• Press the Clear/Off key twice and attempt to re-enter cooking instructions.

Note: If the oven is set to cook for more than 30 minutes at 100% power level, it will automatically adjust itself to a 80% power level after 30 minutes to avoid overcooking.

Problem	Suggestion
Power goes off before the cook time has elapsed.	<ul style="list-style-type: none"> • If there has been a power interruption, remove the plug from the outlet; wait 10 seconds, then plug the microwave in again. If there was a power outage, the time indicator in the display will show 00:00. • Reset the clock and any cooking instructions. • Reset the household circuit breaker or replace any blown fuses. • Press the Clear/Off key twice and attempt to re-enter cooking instructions. • Plug a different appliance into the power outlet. If the other appliance will not operate, have a qualified electrician repair the outlet. • Plug the microwave into a different power outlet.
Food is cooking too slowly.	Make sure the oven is on a separate 20 amp circuit line. Operating another appliance on the same circuit can cause a voltage drop. If necessary, move the microwave to its own circuit.
Microwave is sparking, arcing occurs.	Remove any metallic utensils, cookware or metal ties from the oven cavity. If using aluminum foil, use only narrow strips and allow at least one inch between the foil and the interior oven walls.
Turntable makes noises or sticks.	<ul style="list-style-type: none"> • Clean the turntable, roller ring and oven cavity bottom. • Make sure the turntable and roller ring are positioned correctly.
Using the microwave causes TV or radio interference.	This is similar to the interference caused by other small appliances, such as hair dryers. Move your microwave further away from other appliances, like your TV or radio.
LED lights are not working.	Please contact Customer Service.

Note: If the oven is set to cook for more than 30 minutes at 100% power level, it will automatically adjust itself to a 80% power level after 30 minutes to avoid overcooking.

Bosch® Support

Before Calling Service

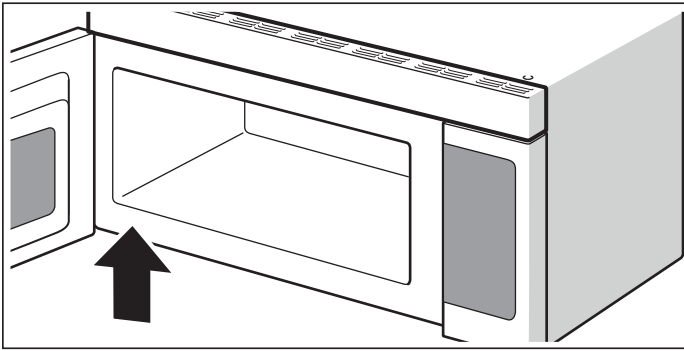
See the Use and Care Manual for troubleshooting information. Refer to the “Statement of Limited Product Warranty” in the Use and Care Manual.

To reach a service representative, see the contact information at the front of the manual or in the following section. Please be prepared with the information printed on your product data plate prior to calling.

Data Plate

The data plate shows the model and serial number. Refer to the data plate on the appliance when requesting service.

The data plate can be found on the inside of the appliance.



To avoid having to search for each piece of information when calling, you can enter the four items needed in the spaces provided below.

Model No.
FD-No.
Date of Purchase
Customer Service ☎

Keep your invoice or escrow papers for warranty validation if service is needed.

Service

We realize that you have made a considerable investment in your kitchen. We are dedicated to supporting you and your appliance so that you have many years of creative cooking.

Please don't hesitate to contact our Customer Support Department if you have any questions or in the unlikely event that your Bosch® appliance needs service. Our service team is ready to assist you.

USA

800-944-2904

www.bosch-home.com/us/owner-support/get-support

Canada

800-944-2904

www.bosch-home.ca/en/service/get-support

Parts and Accessories

Parts, filters, descalers, stainless steel cleaners and more can be purchased in the Bosch® eShop or by phone.

USA

www.bosch-home.com/us/shop

Canada

www.bosch-home.ca/en/service/cleaners-and-accessories

STATEMENT OF LIMITED PRODUCT WARRANTY

What this Warranty Covers & Who it Applies to

The limited warranty provided by BSH Home Appliances ("Bosch") in this Statement of Limited Product Warranty applies only to the Bosch appliance sold to you ("Product"), provided that the Product was purchased:

- For your normal, household (non-commercial) use, and has in fact at all times only been used for normal household purposes.
- New at retail from a BSH authorized dealer or directly from BSH (not a display, "as is", or previously returned model), and not for resale, or commercial use.
- Within the United States or Canada, and has at all times remained within the country of original purchase.

The warranties stated herein apply to the original purchaser of the product warranted herein and to each succeeding owner of the product purchased for ordinary home use during the term of the warranty.

Please make sure to register your Product; while not necessary to effectuate warranty coverage, it is the best way for Bosch to notify you in the unlikely event of a safety notice or product recall.

How Long the Warranty Lasts

Bosch warrants that the Product is free from defects in materials and workmanship for a period of three hundred and sixty-five (365) days from the date of the original delivery. The foregoing timeline begins to run upon the date of the original delivery, and shall not be stalled, tolled, extended, or suspended, for any reason whatsoever. This Product is also warranted to be free from cosmetic defects in material and workmanship (such as scratches of stainless steel, paint/porcelain blemishes, chips, dents, or other damage to the finish) of the Product, for a period of thirty (30) days from the date of delivery or closing date for new construction. This cosmetic warranty excludes slight color variations due to inherent differences in painted and porcelain parts, as well as differences caused by kitchen lighting, product location, or other similar factors. This cosmetic warranty specifically excludes any display, floor, "As Is", or "B" stock appliances.

Repair/Replace as Your Exclusive Remedy

During this warranty period, Bosch or one of its authorized service providers will repair your Product without charge to you (subject to certain limitations stated herein) if your Product proves to have been manufactured with a defect in materials or workmanship. If reasonable attempts to

repair the Product have been made without success, then Bosch will replace your Product (upgraded models may be available to you, in Bosch's sole discretion, for an additional charge). Nothing in this warranty requires damaged or defective parts to be replaced with parts of a different type or design than the original part. All removed parts and components shall become the property of Bosch at its sole option. All replaced and/or repaired parts shall assume the identity of the original part for purposes of this warranty and this warranty shall not be extended with respect to such parts. Bosch's sole liability and responsibility hereunder is to repair manufacturer-defective Product only, using a Bosch authorized service provider during normal business hours. For safety and property damage concerns, Bosch highly recommends that you do not attempt to repair the Product yourself, or use a non-authorized service provider; Bosch will have no responsibility or liability for damage resulting from repairs or work performed by a non-authorized service provider. Authorized service providers are those persons or companies that have been specially trained on Bosch products, and who possess, in Bosch's opinion, a superior reputation for customer service and technical ability (note that they are independent entities and are not agents, partners, affiliates or representatives of Bosch). Nevertheless, taking your product to be serviced by a repair shop that is not affiliated with or an authorized dealer of Bosch will not void this warranty. Also, using third-party parts will not void this warranty. Notwithstanding the foregoing, Bosch will not incur any liability, or have responsibility, for the Product if it is located in a remote area (more than 100 miles from an authorized service provider) or is reasonably inaccessible, hazardous, threatening, or treacherous locale, surroundings, or environment; in any such event, if you request, Bosch would still pay for labor and parts and ship the parts to the nearest authorized service provider, but you would still be fully liable and responsible for any travel time or other special charges by the service company, assuming they agree to make the service call. Further, to the extent you have installed the Product in a difficult-to-access location or have otherwise installed temporary or permanent fixtures that create barriers to accessing or removing the Product, Bosch will not incur any liability for, or have responsibility, for work or costs associated with moving the Product or otherwise creating access to the Product in order to repair or replace it. All such costs shall be your sole responsibility.

Out of Warranty Product

Bosch is under no obligation, at law or otherwise, to provide you with any concessions, including repairs, prorates, or Product replacement, once this warranty has expired.

Warranty Exclusions

The warranty coverage described herein excludes all defects or damage that is not the direct fault of Bosch, including without limitation, one or more of the following:

- Use of the Product in anything other than its normal, customary and intended manner (including without limitation, any form of commercial use, use or storage of an indoor product outdoors, use of the Product in conjunction with air or water-going vessels).
- Any party's willful misconduct, negligence, misuse, abuse, accidents, neglect, improper operation, failure to maintain, improper or negligent installation, tampering, failure to follow operating instructions, mishandling, unauthorized service (including self performed "fixing" or exploration of the appliance's internal workings).
- Adjustment, alteration or modification of any kind.
- A failure to comply with any applicable state, local, city, or county electrical, plumbing and/or building codes, regulations, or laws, including failure to install the product in strict conformity with local fire and building codes and regulations.
- Ordinary wear and tear, spills of food, liquid, grease accumulations, or other substances that accumulate on, in, or around the Product.
- Any external, elemental and/or environmental forces and factors, including without limitation, rain, wind, sand, floods, fires, mud slides, freezing temperatures, excessive moisture or extended exposure to humidity, lightning, power surges, structural failures surrounding the appliance, and acts of God.
- Service calls to correct the installation of your Product, to instruct you how to use your Product, to replace house fuses or correct house wiring or plumbing.
- Removal and replacement of trim or decorative panels that interfere with servicing the Product.
- Damage or defects caused by labor or parts installed by any non-authorized service provider, unless approved by Bosch before service is performed.

In no event shall Bosch have any liability or responsibility whatsoever for damage to surrounding property, including cabinetry, floors, ceilings, and other structures or objects around the Product. Also excluded from this warranty are Products, on which the serial numbers have been altered, defaced, or removed; service visits to teach you how to use the Product, or visits where there is nothing wrong with the Product; correction of installation problems (you are solely responsible for any structure and setting for the Product, including all electrical, plumbing or other connecting facilities, for proper foundation/flooring, and for any alterations including without limitation cabinetry, walls, floors, shelving, etc.); and resetting of breakers or fuses.

TO THE EXTENT ALLOWED BY LAW, THIS WARRANTY SETS OUT YOUR EXCLUSIVE REMEDIES WITH RESPECT TO PRODUCT, WHETHER THE CLAIM ARISES IN

CONTRACT OR TORT (INCLUDING STRICT LIABILITY, OR NEGLIGENCE) OR OTHERWISE. THIS WARRANTY IS IN LIEU OF ALL OTHER WARRANTIES, WHETHER EXPRESS OR IMPLIED. ANY WARRANTY IMPLIED BY LAW, WHETHER FOR MERCHANTABILITY OR FITNESS FOR A PARTICULAR PURPOSE, OR OTHERWISE, SHALL BE EFFECTIVE ONLY FOR THE PERIOD THAT THIS EXPRESS LIMITED WARRANTY IS EFFECTIVE. IN NO EVENT WILL THE MANUFACTURER BE LIABLE FOR CONSEQUENTIAL, SPECIAL, INCIDENTAL, INDIRECT, "BUSINESS LOSS", AND/OR PUNITIVE DAMAGES, LOSSES, OR EXPENSES, INCLUDING WITHOUT LIMITATION TIME AWAY FROM WORK, HOTELS AND/OR RESTAURANT MEALS, REMODELLING EXPENSES IN EXCESS OF DIRECT DAMAGES WHICH ARE DEFINITELY CAUSED EXCLUSIVELY BY BOSCH, OR OTHERWISE. SOME STATES DO NOT ALLOW THE EXCLUSION OR LIMITATION OF INCIDENTAL OR CONSEQUENTIAL DAMAGES, AND SOME STATES DO NOT ALLOW LIMITATIONS ON HOW LONG AN IMPLIED WARRANTY LASTS, SO THE ABOVE EXCLUSIONS OR LIMITATIONS MAY NOT APPLY TO YOU. THIS WARRANTY GIVES YOU SPECIFIC LEGAL RIGHTS, AND YOU MAY ALSO HAVE OTHER RIGHTS WHICH VARY FROM STATE TO STATE.

No attempt to alter, modify or amend this warranty shall be effective unless authorized in writing by an officer of BSH.

Obtaining Warranty Service

To obtain warranty service for your product, you should contact Bosch Customer Service at 1-800-944-2904 to schedule a repair.

Product information

For handy reference, copy the information below from the rating plate. Keep your invoice and/or delivery documents for warranty validation.

Model number (E-Nr.)

Production number (FD)

Date of delivery

Table des Matières

▲ Définitions de sécurité	27	Cuisson de légumes dans votre micro-ondes	43
▲ MESURES DE PRÉCAUTION POUR ÉVITER L'EXPOSITION EXCESSIVE À L'ÉNERGIE MICRO-ONDE	27	Cuisson de fruits de mer dans le micro-ondes	43
CONSIGNES DE SÉCURITÉ IMPORTANTES	28	Nettoyage et entretien	44
INSTRUCTIONS DE MISE À LA TERRE	28	Nettoyage	44
Interférences radio/télévision	29	Entretien	45
Utilisation prévue	29	Dépannage	47
Sécurité des enfants	29	Soutien Bosch®	48
Consignes en matière de nettoyage	29	Avant d'appeler le service de dépannage	48
Sécurité de cuisson	30	Plaque signalétique	48
En cas d'incendie	30	Service	48
Liquides	30	Pièces et accessoires	48
Articles de cuisson	31	ÉNONCÉ DE LA GARANTIE LIMITÉE	49
Utensiles de cuisson	31	Couverture de la garantie :	49
Plateau en verre/Anneau du plateau tournant	32	Durée de la garantie	49
Fonctionnement du mode d'évacuation	32	Réparation ou remplacement comme solution exclusive	49
Thermomètres	32	Produit hors garantie	49
Pacemakers	32	Exclusions à la garantie	49
Avertissement issue de la proposition 65 de l'État de la Californie	32	Obtention du service de garantie	50
Fonctionnement du moteur du ventilateur	32		
Ventilation dans la pièce avec filtre à charbon	32		
Causes des dommages	33		
Protection de l'environnement	33		
Mise en route	34		
Pièces	34		
Panneau de commande	34		
Accessoires	35		
Avant la première utilisation	36		
Accessoires de nettoyage	36		
Fonctionnement	37		
Réglage de l'horloge	37		
Réglage de la minuterie	37		
Fonctionnement du ventilateur d'aération	37		
Allumage et extinction de l'éclairage	37		
Réglage du micro-ondes	37		
Ajout de temps de cuisson (+30 secondes)	39		
Décongélation	39		
Reheat (Réchauffage)	40		
Fonctionnement commode	41		
Boisson	41		
Pommes de terre	41		
Popcorn	41		
Suggestions de cuisson de commodité	41		
Tableaux de cuisson	42		
Cuisson de la viande dans le four à micro-ondes	42		
Cuisson de la volaille dans le four à micro-ondes	42		
Cuisson des œufs dans le micro-ondes	43		

Vous trouverez des informations supplémentaires concernant les produits, accessoires, pièces de rechange et services sur Internet sous : www.bosch-home.com et la boutique en ligne : www.bosch-home.ca/fr/service/nettoyants-et-accessoires

Cet appareil électroménager Bosch est fabriqué par
BSH Home Appliances Corporation
1901 Main Street, Suite 600
Irvine, CA 92614

Vous avez des questions?

1 800 944-2904
www.bosch-home.com/us

Nous nous ferons un plaisir de vous servir!

Définitions de sécurité

AVERTISSEMENT

Ceci indique que le non-respect de cet avertissement peut entraîner des blessures graves, voire la mort.

ATTENTION

Ceci indique que le non-respect de cet avertissement peut entraîner des blessures légères ou de gravité moyenne.

AVIS : Ceci indique que la non-conformité à cet avis de sécurité peut entraîner des dégâts matériels ou endommager l'appareil.

Remarque : Ceci vous signale des informations et/ou indications importantes.

MESURES DE PRÉCAUTION POUR ÉVITER L'EXPOSITION EXCESSIVE À L'ÉNERGIE MICRO-ONDE

MESURES DE PRÉCAUTION POUR ÉVITER L'EXPOSITION EXCESSIVE À L'ÉNERGIE MICRO-ONDE

(1) Lorsque vous faites fonctionner l'appareil, ne laissez pas la porte du four ouverte car l'exposition à l'énergie micro-onde peut être nocive. Il est important de ne pas endommager les verrous de sécurité et de ne pas essayer de les forcer.

(2) Aucun objet ne doit empêcher la porte du four de bien se refermer et ne laissez pas les résidus d'aliments ou de produit d'entretien s'accumuler sur les joints d'étanchéité.

(3) Ne faites pas fonctionner le four s'il est endommagé. Il est particulièrement important que la porte du four puisse être refermée correctement, et donc que les pièces suivantes ne soient pas endommagées:

- porte (bosselée)
- charnières et loquets (brisés ou desserrés)
- joints de porte et surfaces d'étanchéité.

(4) Confier toute réparation ou réglage uniquement à un personnel autorisé par l'usine. Toute installation, réparation ou maintenance inadéquate peut entraîner des blessures ou des dommages matériels. Se reporter à ce manuel pour obtenir des conseils sur la façon de procéder. Toute réparation doit être confiée à un centre de service agréé par l'usine.

CONSIGNES DE SÉCURITÉ IMPORTANTES

LISEZ TOUTES LES INSTRUCTIONS AVANT D'UTILISER L'APPAREIL

AVERTISSEMENT

Pour réduire le risque de brûlures, de chocs d'électrocution, de feu, de blessures ou d'exposition à une énergie micro-ondes excessive, lisez toutes les instructions avant d'utiliser l'appareil.

AVERTISSEMENT

Si les informations contenues dans ce manuel ne sont pas suivies à la lettre, un incendie ou un choc électrique peuvent se produire et entraîner des dommages matériels ou des préjudices personnels.

Quand vous utilisez des appareils électriques, observez les consignes de sécurité de base, y compris ce qui suit :

Lisez et observez les précautions spécifiques «POUR ÉVITER L'EXPOSITION POSSIBLE À UNE ÉNERGIE MICRO-ONDES EXCESSIVE» que vous trouverez dans le chapitre Consignes de sécurité.

Cet appareil doit être mis à la terre. Raccordez l'appareil uniquement à une prise de courant correctement mise à la terre (voyez INSTRUCTIONS DE MISE À LA TERRE).

Installez ou aménagez cet appareil uniquement en conformité avec les instructions d'installation fournies.

Certains produits comme des œufs entiers et des contenants scellés – par exemple, des pots en verre scellés – peuvent éclater et ne doivent pas être chauffés dans ce four.

Utilisez cet appareil uniquement dans le cadre de l'utilisation prévue tel que décrit dans ce manuel. N'utilisez pas de produits chimiques corrosifs ou des vapeurs dans cet appareil. Ce type de four est conçu spécifiquement pour chauffer, pour cuire ou pour sécher les aliments. Il n'est pas conçu pour un usage industriel ou en laboratoire.

Comme pour tout autre appareil électrique, l'utilisation de cet appareil par les enfants doit se faire sous étroite surveillance. (Voir SÉCURITÉ DES ENFANTS).

L'entretien de cet appareil doit être confié uniquement à un personnel de service autorisé. Contactez le centre de service autorisé le plus proche pour un examen, une réparation ou un réglage.

Ne couvrez pas ou bloquez les événements ou ouvertures de l'appareil.

Ne rangez pas cet appareil à l'extérieur. N'utilisez pas ce produit à proximité de l'eau – par exemple, près d'un évier de cuisine, dans un sous-sol humide, près d'une piscine ou d'emplacements similaires.

Ne plongez pas le cordon ou la fiche dans l'eau.

Tenez le cordon à l'écart de surfaces chauffantes.

Ne laissez pas le cordon suspendre par dessus le bord d'une table ou d'un comptoir.

N'utilisez pas cet appareil si le cordon ou la fiche est endommagé, s'il ne fonctionne pas correctement ou s'il a été endommagé ou a été échappé.

Lors du nettoyage des surfaces de la porte et du four qui se joignent ensemble à la fermeture de la porte, utilisez seulement des savons ou des détergents légers, non abrasifs appliqués avec une éponge ou un chiffon doux. Voyez les directives de nettoyage des surfaces de porte dans le chapitre «Nettoyage et entretien».

Pour réduire le risque de feu dans la cavité du four :

- Ne cuisez pas trop les aliments. Surveillez attentivement l'appareil quand des matériaux en papier, plastique et autres combustibles sont insérés à l'intérieur du four pour faciliter la cuisson.
- Retirez les attaches métalliques des sacs de papier ou de plastique avant de placer le sac dans le four.
- Si des matériaux à l'intérieur du four s'enflamment, gardez la porte du four fermée, éteignez le four et débranchez le cordon d'alimentation ou coupez l'alimentation au panneau de fusibles ou de disjoncteur.
- N'utilisez pas la cavité aux fins de rangement. Ne laissez pas des produits de papier, des ustensiles de cuisson ou des aliments dans la cavité lorsque celle-ci ne sert pas.

AVERTISSEMENT

RISQUE DE BLESSURE

La lumière des lampes DEL est très éblouissante et peut causer des lésions aux yeux (groupe de risque 1). Ne pas regarder plus de 100 secondes directement les lampes DEL allumées.

AVERTISSEMENT

RISQUE DE BLESSURES

La lumière des lampes LED est très éblouissante et peut causer des dommages aux yeux (groupe de risque 1M, selon EN 60825-1). Ne pas fixer les lampes LED allumées avec des accessoires optiques comme des jumelles ou des loupes.

INSTRUCTIONS DE MISE À LA TERRE

Cet appareil doit être mis à la terre. En cas de court-circuit électrique, la mise à la terre réduira le risque de choc électrique en offrant au courant électrique un fil d'évacuation. Ce four est équipé d'un cordon ayant un fil de mise à la terre avec une prise de mise à la terre. La fiche doit être branchée dans une prise qui a été installée et mise à la terre de façon conforme.

ATTENTION - Si la mise à la terre n'est pas faite de manière conforme, il existe un risque de choc électrique.

CONSIGNES DE SÉCURITÉ IMPORTANTES

LISEZ TOUTES LES INSTRUCTIONS AVANT D'UTILISER L'APPAREIL

Consultez un électricien qualifié si vous ne comprenez pas parfaitement les instructions de mise à la terre ou si vous avez des doutes quant à la qualité de mise à la terre.

N'utilisez pas de rallonge. Si le cordon d'alimentation du produit est trop court, demandez à un électricien qualifié d'installer une prise à trois fiches. Ce four devrait être branché dans un circuit de 60 hertz séparé avec une capacité électrique telle que montrée dans le tableau des spécifications. Lorsque le four est branché sur un circuit avec un autre équipement, une augmentation des temps de cuisson pourrait être requise et les fusibles pourraient griller.

Le micro-ondes est alimenté à partir d'un courant résidentiel standard de 100 – 120 V.

Interférences radio/télévision

Cet appareil génère et utilise de l'énergie à fréquence ISM. S'il n'est pas installé et utilisé correctement, en stricte conformité avec les directives du fabricant, il pourrait perturber la réception des ondes radio et télévision. Il a été testé et trouvé conforme avec les limites régissant les équipements ISM conformément à la partie 18 des règlements FCC, qui sont conçus pour fournir une protection raisonnable contre une telle interférence dans une installation résidentielle. Toutefois, il n'y a aucune garantie qu'une interférence ne se produira pas dans une installation particulière. Allumez et éteignez l'appareil pour déterminer s'il est à l'origine de l'interférence. Essayez les mesures suivantes pour corriger l'interférence :

- Nettoyez la porte et la surface d'étanchéité du four.
- Réorientez l'antenne réceptrice de la radio ou de la télévision.
- Relocalisez le four à micro-ondes par rapport au récepteur.
- Éloignez le four à micro-ondes du récepteur.
- Branchez le micro-ondes dans une prise différente de sorte que le four et le récepteur soient branchés sur des circuits différents.

Le fabricant n'est pas responsable de toute interférence radio ou télévision causée par une modification non autorisée de ce four à micro-ondes. C'est à l'utilisateur qu'il incombe de corriger une telle interférence.

Utilisation prévue

Cet appareil est destiné uniquement à une utilisation domestique normale. Il n'est pas homologué pour un usage en extérieur. Voyez la Énoncé de la Garantie Limitée. Si vous avez des questions, communiquez avec le fabricant.

N'utilisez pas la cavité aux fins de rangement. Ne laissez pas des produits de papier, des ustensiles de cuisson ou des aliments dans la cavité lorsque celle-ci ne sert pas.

N'utilisez pas le four lorsque l'humidité de la pièce est excessive.

Ce four peut être utilisé au-dessus des équipements de cuisson à gaz et électriques de 36 po (914 mm) de largeur ou moins.

Sécurité des enfants

Ne pas permettre aux enfants d'utiliser cet appareil sauf sous la surveillance attentive d'un adulte. Ne pas laisser les enfants et les animaux seuls ou sans surveillance lorsque l'appareil, que ce dernier soit en service ou non.

Lorsque les enfants sont assez âgés pour utiliser l'appareil, il incombe aux parents ou tuteurs légaux de veiller à ce qu'ils soient formés aux pratiques sécuritaires par des personnes qualifiées.

Ne permettre à personne de grimper, rester debout, s'appuyer, s'asseoir ou se pencher sur toute partie d'un appareil, notamment une porte, un tiroir-réchaud ou un tiroir de rangement. Ceci peut endommager l'appareil qui risque de basculer et causer des blessures sérieuses.

Consignes en matière de nettoyage

Nettoyez fréquemment les filtres d'échappement - Ne laissez pas la graisse s'accumuler sur la hotte ou les filtres. Il pourrait en résulter un incendie.

Redoublez de vigilance quand vous nettoyez les filtres d'échappement. Les agents de nettoyage corrosifs, comme les nettoyeurs pour four à base de soude caustique, peuvent endommager le filtre (voyez la section NETTOYAGE dans ce manuel).

Nettoyez le repose-rouleau de la plaque tournante et le plancher de four fréquemment pour empêcher un bruit excessif.

ATTENTION

La graisse laissée sur les filtres peut refondre et s'infiltrer dans l'évent.

AVERTISSEMENT

Assurez-vous que l'appareil tout entier (y compris les filtres de graisse et les ampoules) s'est refroidi et que la graisse s'est solidifiée avant de tenter de nettoyer une partie quelconque de l'appareil.

⚠ CONSIGNES DE SÉCURITÉ IMPORTANTES

LISEZ TOUTES LES INSTRUCTIONS AVANT D'UTILISER L'APPAREIL

Sécurité de cuisson

ATTENTION

Pour éviter les blessures corporelles ou les dégâts matériels, veuillez suivre les consignes suivantes :

- Ne laissez pas le four sans surveillance pendant qu'il est en marche.
- N'entreposez pas de matières inflammables près ou dans le four.
- Lorsque vous flambez des aliments sous le micro-ondes, allumez toujours le ventilateur.
- Ne faites pas fonctionner le four à vide. Cela pourrait endommager le four et entraîner un risque d'incendie.
- N'entreposez pas et n'utilisez pas des produits chimiques corrosifs, des vapeurs, des matériaux inflammables ou des produits non alimentaires près ou dans cet appareil. Cet appareil est spécialement conçu pour chauffer ou cuire la nourriture. L'emploi de produits chimiques corrosifs dans la cuisson ou le nettoyage endommagera l'appareil et pourrait causer des blessures.
- Ne séchez pas les vêtements, les journaux ou autres matériaux dans le four. N'utilisez pas des journaux ou des sacs de papier pour la cuisson. Il pourrait en résulter un incendie.
- N'utilisez pas des produits fabriqués de papier recyclé à moins que leur sécurité au micro-ondes soit attestée. Ils pourraient contenir des impuretés pouvant causer des étincelles et provoquer un incendie.
- Utilisez des poignées pour retirer les éléments du four. Le récipient de cuisson et le plateau de verre peuvent être chauds même si le four est froid.
- Dans la mesure du possible, ne mettez pas en marche le système de ventilation pendant un feu de table de cuisson. Toutefois, ne passez pas la main à travers le feu pour l'éteindre.
- Ne montez pas l'appareil au-dessus d'un évier.
- Ne rangez aucun objet directement sur le dessus de l'appareil lorsque l'appareil est en cours de fonctionnement.
- La nourriture ou les ustensiles métalliques surdimensionnés ne devraient pas être placés dans le micro-ondes, car ils pourraient entraîner des risques de décharge électrique ou d'incendie.
- Ne nettoyez pas le four avec des éponges à récurer métalliques. Des morceaux peuvent brûler et se détacher des éponges et entrer en contact avec des composantes électriques, ce qui pourrait entraîner un risque de décharge électrique.

- N'entreposez pas de matériaux dans ce four, autres que les accessoires recommandés par le fabricant, lorsqu'il n'est pas utilisé.
- Ne recouvrez pas les grilles ou toute autre partie du four de feuilles métalliques. Cela causerait une surchauffe du four.
- Ne pas utiliser des produits de papier lorsque l'appareil est utilisé en mode grill.

AVERTISSEMENT

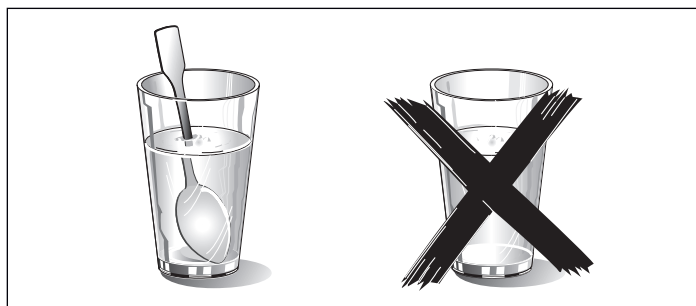
Ne pas utiliser les brûleurs de la table de cuisson au gaz sans chaudron en place. La flamme nue pourrait surchauffer le four à micro-ondes situé au-dessus.

En cas d'incendie

Si des matériaux à l'intérieur d'un four venaient à prendre feu :

1. Conserver la porte fermée
2. Éteindre l'appareil
3. Débrancher l'appareil ou sortir le fusible ou mettre le disjoncteur à l'arrêt.

Liquides



Des liquides, comme de l'eau, du café ou du thé peuvent surchauffer. Ils peuvent être chauffés au-delà du point d'ébullition sans que cela ne paraisse. Par exemple, le bouillonnement ou l'ébullition lorsque le contenant est retiré du micro-ondes n'est pas toujours présent. CELA POURRAIT RÉSULTER DANS DES LIQUIDES TRÈS CHAUDS QUI BOUILLONNERONT SOUDAINEMENT DÈS LORS QUE LE CONTENANT EST DÉRANGÉ OU QU'UN USTENSILE EST INSÉRÉ DANS LE LIQUIDE.

Lorsque vous faites chauffer des liquides, placez toujours une baguette en verre ou une cuillère dans le contenant. Vous pourrez ainsi éviter un retard d'ébullition.

ATTENTION

Du métal, par exemple, une cuillère dans un verre, doit être conservé à au moins 1 pouce (25 mm) des parois du four et de l'intérieur de la porte. Des étincelles pourraient endommager irrévocablement le verre à l'intérieur de la porte.

⚠️ CONSIGNES DE SÉCURITÉ IMPORTANTES

LISEZ TOUTES LES INSTRUCTIONS AVANT D'UTILISER L'APPAREIL

- Retirez les plats préparés de leur emballage. Ils chaufferont plus rapidement et plus uniformément dans des plats allant au micro-ondes. Les différents composants du repas pourraient nécessiter des temps de cuisson différents.
- Couvrez toujours la nourriture. Si vous ne possédez pas un couvercle adéquat pour votre contenant, utilisez une assiette ou un papier spécial conçu pour le micro-ondes.
- Brassez ou retournez la nourriture plusieurs fois au cours de la cuisson. Vérifiez la température.
- Après la cuisson, laissez la nourriture reposer de 2 à 5 minutes supplémentaires pour obtenir une température uniforme.
- Utilisez toujours un linge ou des gants pour le four lorsque vous retirez des assiettes du four.

Articles de cuisson

Oeufs: Ne faites pas cuire ou réchauffer des œufs entiers, avec ou sans coquille. La vapeur s'accumule dans les œufs, ce qui peut les amener à éclater, et endommager potentiellement le four ou causer des blessures. Le réchauffement d'œufs durs en tranches ou la cuisson d'œufs brouillés ne pose aucun problème.

Popcorn: Utilisez uniquement du popcorn dans des emballages conçus et étiquetés pour usage dans le micro-ondes, ou faites-le éclater dans un éclateur de popcorn pour four à micro-ondes. Suivez les instructions du fabricant du popcorn et utilisez une marque qui convient à l'intensité électrique de votre four. Ne continuez pas de cuire après que le popcorn a cessé d'éclater. Le popcorn risquerait alors de brûler. Ne laissez pas le four sans surveillance.

ATTENTION

Lorsque vous utilisez du popcorn préemballé pour micro-ondes, vérifiez le poids de l'emballage avant d'utiliser la fonction de popcorn. Réglez le four selon le poids de l'emballage du popcorn. Si vous ne suivez pas ces instructions, il se peut que le popcorn ne s'éclate pas correctement et pourrait s'enflammer et causer un incendie.

Aliments avec peau non poreuse : Les pommes de terre, les tomates, les patates douces, les pommes, les courges entières et les saucissons sont des exemples d'aliments avec des peaux non poreuses. Ces types d'aliments doivent être percés avant la cuisson pour les empêcher d'éclater.

Aliments pour nourrissons / lait maternisé: Ne chauffez pas les biberons ou les aliments pour nourrissons dans le four à micro-ondes. Le pot de verre ou la surface de l'aliment pourrait sembler tiède alors que l'intérieur pourrait brûler la bouche et l'œsophage du nourrisson.

Grande friture de gras : N'effectuez pas de grande friture de gras dans le four. L'huile pourrait chauffer très rapidement au-delà de sa température idéale dans un four à micro-ondes. Les températures pourraient monter

à tel point que l'huile de cuisson arrivera au point d'inflammabilité et s'enflammera. L'huile chauffée pourrait bouillonner et être projetée causant des dommages potentiels au four et même des blessures aux personnes. Par ailleurs, les ustensiles micro-ondables pourraient ne pas supporter la température de l'huile chaude et pourraient occasionner le bris de l'ustensile si celui-ci contient une imperfection, une rayure ou une écaille.

Conserves maison / Séchage des aliments / Petites quantités d'aliments : N'utilisez pas le four à micro-ondes pour les conserves maison ou pour le chauffage de tout pot fermé. La pression s'accumulera et le pot pourrait éclater. Par ailleurs, le four ne peut maintenir l'aliment à la bonne température de mise en conserve. Les aliments mis en conserve incorrectement pourraient rancir et être dangereux à consommer. De petites quantités d'aliments ou des aliments à faible contenu d'humidité peuvent s'assécher, brûler ou s'enflammer. Ne séchez pas les viandes, herbes, fruits ou légumes dans votre four.

La cuisson appropriée dépend du temps réglé et du poids de l'aliment. Si vous utilisez une portion plus petite que celle recommandée et faites cuire la portion au temps recommandé, un incendie pourrait en résulter.

Plats de brunissement : Les plats de brunissement ou les grilles du micro-ondes sont conçus uniquement pour la cuisson au micro-ondes. Les temps de préchauffage varient selon la taille du plat de brunissement et de l'aliment à cuire. Suivez toujours les instructions fournies par le fabricant du plat de brunissement ou de la grille. Ne préchauffez pas les plats de brunissement pendant plus de 6 minutes.

Sacs de rôtisserie de four : Si un sac de four est utilisé pour la cuisson au micro-ondes, préparez selon les directions de l'emballage. N'utilisez pas des attaches pour fermer les sacs, utilisez à la place des attaches de nylon, du fil en coton ou d'une bande coupée de l'extrémité ouverte du sac. Pratiquez 6 fentes de 1/2 po (12,4 mm) après la fermeture du sac. Placez le sac de cuisson dans un plat légèrement plus grand que l'aliment à cuire.

Ustensiles de cuisson

Voyez aussi **Guide des ustensiles micro-ondables.**

Les ustensiles de cuisson, les plateaux de verre et les grilles deviennent chauds pendant la cuisson au micro-ondes. Utilisez des supports de casserole lorsque vous retirez les éléments du four. Laissez le plateau de verre et les grilles métalliques se refroidir (le cas échéant) avant de les manipuler.

N'utilisez pas des ustensiles métalliques ou des plats contenant une garniture métallique dans le four.

Lorsque vous utilisez de la feuille en aluminium dans le four, prévoyez au moins un espace de 1 pouce (25 mm) entre la feuille et les parois intérieures du four ou la porte.

CONSIGNES DE SÉCURITÉ IMPORTANTES

LISEZ TOUTES LES INSTRUCTIONS AVANT D'UTILISER L'APPAREIL

Le plateau de verre et les grilles métalliques (le cas échéant) deviendront chauds pendant la cuisson. Le récipient de cuisson et le plateau de verre peuvent être chauds même si le four est froid.

N'utilisez jamais des matériaux en papier, plastique ou autres matériaux combustibles non prévus pour la cuisson.

Lorsque vous faites cuire avec des matériaux de papier, de plastique ou autres matériaux combustibles, suivez les recommandations du fabricant. N'utilisez pas des serviettes de papier qui contiennent des fibres de nylon ou des fibres synthétiques. Le chauffage de fibres synthétiques pourrait fondre et amener le papier à s'enflammer.

Ne pas chauffer des contenants scellés ou des sacs de plastique dans le four. L'aliment ou le liquide pourrait se dilater rapidement et causer le bris du contenant ou du sac. Percez ou ouvrez le contenant ou le sac avant la cuisson.

Plateau en verre/Anneau du plateau tournant

N'utilisez pas le four sans repose-rouleau de plaque tournante et la plaque tournante de verre en place.

Ne pas faire fonctionner le four sans avoir mis en place le plateau en verre. Cela évitera tout dommage au four ou de mauvais résultats à la cuisson. Vérifier que le plateau en verre est bien en place et qu'il tourne lorsque le four est en fonctionnement.

Remarque : Le plateau en verre peut tourner dans les deux sens.

Utilisez uniquement la plaque tournante de verre conçue pour ce four. Ne lui substituez aucun autre plat.

Laissez le plat de verre se refroidir avant de le nettoyer ou de le mettre dans l'eau.

Ne placez pas les aliments directement sur le plat de verre. Placez toujours l'aliment dans un plat micro-ondable.

Toujours remettre en place l'anneau du plateau tournant et le plateau en verre dans leur position initiale.

L'anneau du plateau tournant doit toujours être utilisé pour la cuisson ainsi que le plateau en verre.

Fonctionnement du mode d'évacuation

Lorsque la hotte aspirante est utilisée en mode d'évacuation d'air simultanément avec un brûleur différent utilisant également la même cheminée, (tels des appareils de chauffage au gaz, à l'huile ou au charbon, des chauffe-eau instantanés ou des chaudières à eau chaude), veillez à ce que l'apport d'air frais soit suffisant pour assurer la combustion adéquate du brûleur.

AVERTISSEMENT

Évitez l'intoxication au monoxyde de carbone. – Prévoyez une admission d'air adéquate pour empêcher l'aspiration des gaz de combustion dans la pièce.

Thermomètres

N'utilisez pas des thermomètres de cuisson ordinaires dans le four. La plupart des thermomètres de cuisson contiennent du mercure et pourraient causer un arc électrique, une anomalie ou des dommages au four.

Pacemakers

ATTENTION

Pour éviter la défaillance d'un stimulateur cardiaque, consultez le médecin ou le fabricant du stimulateur cardiaque à propos des effets de l'énergie micro-ondes sur le stimulateur cardiaque.

Avertissement issu de la proposition 65 :

Ce produit pourrait contenir un produit chimique reconnu par l'État de la Californie comme cancérigène ou ayant des effets nocifs sur la reproduction. Par conséquent, l'emballage de votre produit pourrait porter l'étiquette suivante, comme requis par la Californie :

AVERTISSEMENT ISSU DE LA PROPOSITION 65 DE L'ÉTAT DE LA CALIFORNIE :



AVERTISSEMENT

Cancer et dommages à la reproduction -
www.P65Warnings.ca.gov

Fonctionnement du moteur du ventilateur

Après l'utilisation du four, le moteur du ventilateur continue de tourner afin de refroidir les composants électriques. Cela est parfaitement normal et il est possible de retirer la nourriture du four pendant que le ventilateur est en marche.

Ventilation dans la pièce avec filtre à charbon

Le filtre à charbon livré avec votre four à micro-ondes assure la liaison des matières odorantes.

Remarque : Si le filtre à charbon n'est pas installé, il sera impossible d'assurer la liaison des matières odorantes dans les vapeurs de cuisson.

CONSERVEZ CES INSTRUCTIONS.

Causes des dommages

AVIS:

- Du métal, par exemple, une cuillère dans un verre, doit être conservé à au moins 1 pouce (25 mm) des parois du four et de l'intérieur de la porte. Des étincelles pourraient endommager irrévocablement le verre à l'intérieur de la porte.
- Eau dans le four chaud : ne jamais verser d'eau dans le four chaud, car cela produit de la vapeur qui peut endommager l'enceinte émaillée sous l'effet du changement de température.
- Ne pas laisser pendant une période prolongée dans le four fermé des produits alimentaires humides, car cela peut favoriser l'apparition de corrosion dans le four.
- Le jus de fruit peut tacher l'enceinte du four. Toujours enlever le jus de fruit sans attendre, quand il est sûre de toucher, en utilisant d'abord un chiffon mouillé, puis un chiffon sec.
- Refroidissement avec la porte ouverte : laisser le four refroidir sans ouvrir la porte. Même si la porte n'est que légèrement entrouverte, cela peut à la longue endommager les façades des meubles voisins.
- Joint de porte très encrassé : lorsque le joint est très sale, la porte ne se ferme plus correctement. Les façades des meubles voisins risquent d'être endommagées. Faire en sorte que le joint de la porte soit toujours propre.
- Porte du four utilisée comme siège ou desserte : ne pas monter sur la porte du four, ni s'asseoir dessus ou s'y suspendre. Ne pas déposer sur la porte des accessoires ou ustensiles de cuisson quelconques.
- Montage des accessoires : selon le type de four, les accessoires peuvent rayer la porte lors de la fermeture de cette dernière. Toujours mettre les accessoires entièrement dans le four.
- Ne tenez pas et ne transportez pas l'appareil par la poignée de porte. La poignée de porte ne peut supporter le poids de l'appareil et pourrait se briser ou les charnières pourraient être endommagées.
- Le fonctionnement du micro-ondes sans aliment dans la cavité du four pourrait occasionner une surcharge. Ne faites jamais fonctionner le micro-ondes à moins que la cavité du four ne contienne des aliments. La seule exception à cette consigne est un test de matériel de cuisson (voyez la section «Micro-ondes, Plat de cuisson convenable»), ou un mode AutoChef nécessitant un préchauffage.
- Réglez toujours la puissance du micro-ondes tel que recommandé pour l'aliment. Des réglages à trop forte puissance peuvent très rapidement surchauffer les aliments.
- La plaque rotative pourrait sautiller si elle est surchargée.

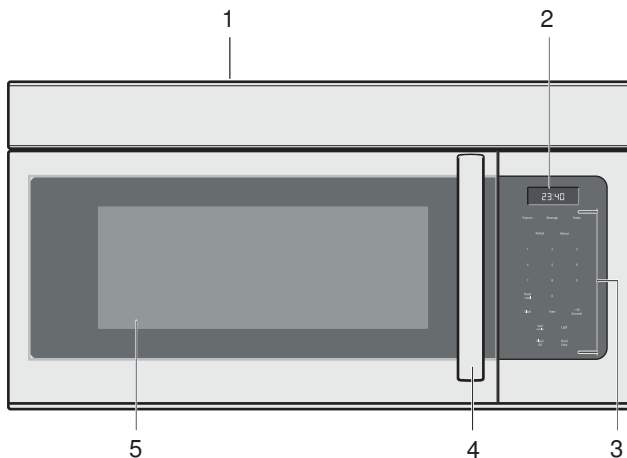
Protection de l'environnement

Déballer l'appareil et jeter l'emballage dans le respect de l'environnement.

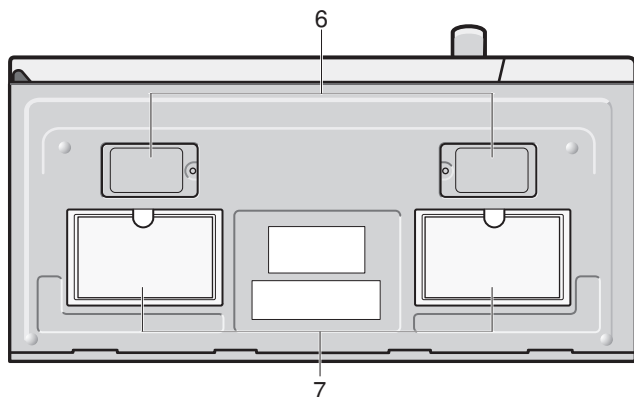
Mise en route

Pièces

Vue avant



Vue du bas



1	Grille d'évent supérieur
2	Affichage
3	Panneau de commande
4	Poignée de porte
5	Hublot
6	Éclairages de surface (DEL)
7	Filtres de ventilation

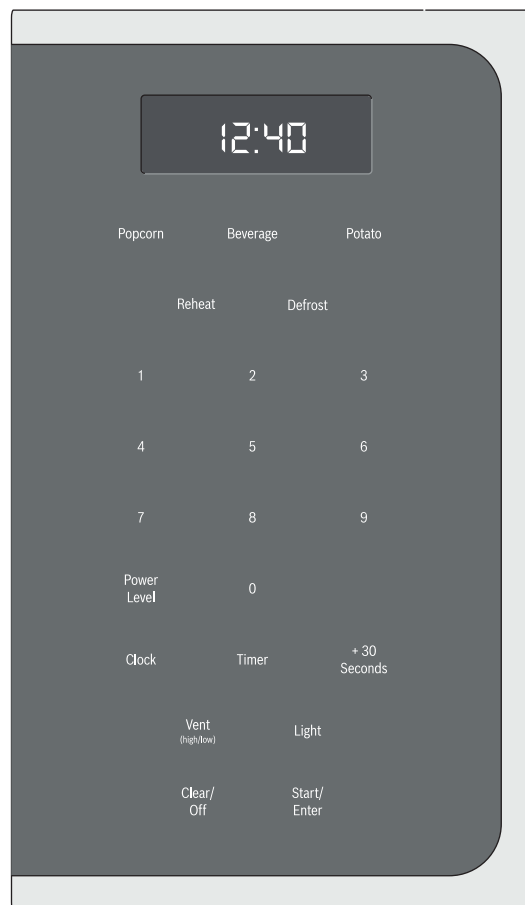
Ventilateur de refroidissement

Le ventilateur de refroidissement tourne pendant tous les modes de cuisson. On peut l'entendre fonctionner et sentir parfois de l'air chaud s'échapper de l'évent du four. Le ventilateur peut également fonctionner une fois le four éteint.

Évent de four

L'évent de four se trouve en haut de l'unité. De l'air chaud peut être évacué de l'évent avant, pendant et après la cuisson. Il est normal de voir de la vapeur s'échapper de l'évent, et de la condensation pourrait s'accumuler dans cette zone. Cette zone peut être chaude lorsque le four est en cours d'utilisation. Ne bloquez pas l'évent car il est important pour la circulation d'air.

Panneau de commande



Touches

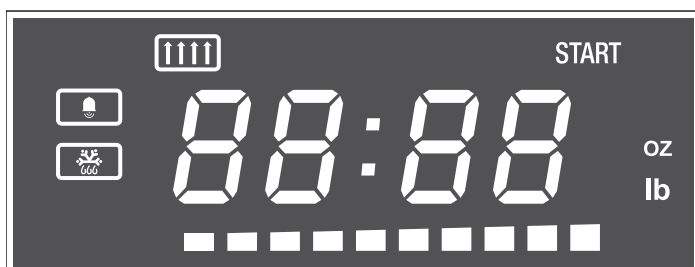
Vous pouvez activer une fonction en touchant brièvement la touche correspondante. Chaque fois que vous touchez une touche, un court signal sonore retentira. Un long signal sonore indiquera que vous avez effectué une saisie invalide.

Touche	Fonction
Popcorn	Sélectionnez la taille du sac de popcorn
Beverage (Boisson)	Chauffez une boisson, sélectionnez la taille de la boisson
Potato (Pommes de terre)	Cuire les pommes de terre
Reheat (Réchauffage)	Réchauffez l'aliment avec les réglages automatiques
Defrost (Décongélation)	Décongélez les aliments avec les réglages automatiques
0 - 9	Utilisez les touches numérotées pour entrer des valeurs personnalisées
Power Level (Niveau de puissance)	Réglez le niveau de puissance pour le fonctionnement du micro-ondes
Clock (Horloge)	Réglez l'heure du jour

Touche	Fonction
Timer (Minuterie)	Réglez le temps de cuisson
+30 sec	Ajoutez 30 secondes à la minuterie du micro-ondes
Vent (high/low) (Évent (haut/bas))	Activez/désactivez la fonction de ventilation de cuisine
Light (Éclairage)	Allumez ou éteignez l'éclairage de surface
Clear/Off (Effacer/Arrêt)	Effacez la valeur saisie/éteignez l'appareil
Start/Enter (Démarrer/Entrer)	Confirmez l'entrée, démarrez l'opération

Éléments d'affichage

L'affichage vous donne des renseignements sur les réglages courants de votre appareil. Les symboles d'affichage clignotants indiquent qu'une saisie est requise.

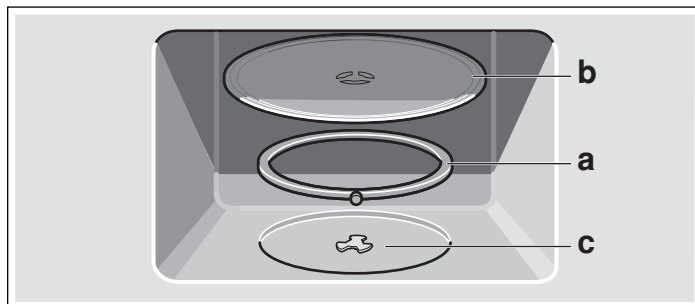


	Ventilateur en marche
	Minuterie de cuisine
	Décongélation
START (DÉMARRER)	Confirmation avec la touche Start/Enter (Démarrer/Entrer) requise en cas de clignotement
oz lb	L'affichage numérique montre le poids en onces/livres
	Barre d'état pour niveau de puissance de micro-ondes
00:00	Affichage numérique pour temps, température ou poids selon l'unité qui est affichée à côté

Accessoires

Le plateau tournant

1. Placer l'anneau du plateau tournant **a** dans le creux situé dans le compartiment de cuisson
2. Laisser le plateau tournant **b** s'enclencher dans l'entraînement **c** au centre du fond du compartiment de cuisson.



Remarque : Utilisez l'appareil uniquement avec le plateau tournant en place. Veillez à ce qu'il soit correctement enclenché et peut tourner librement lorsque l'appareil est en marche.

Guide des ustensiles pour micro-ondes

Plats de cuisson convenables

- **Verre thermorésistant, verre-céramique et faïence :**
Plats utilitaires, plats pour pain de viande, moules à tarte, moules à gâteau, tasses à mesurer les liquides, casseroles et bols sans garniture métallique (p. ex., Pyrex^{MD}, Anchor Hocking^{MC}, Corning Ware^{MD}, Emile Henry, etc.).
- **Porcelaine :**
Bols, tasses, plats de service et plateaux sans garniture métallique.
- **Emballages et pellicules plastique :**
Emballage plastique (comme couvercle) : Posez l'emballage plastique de façon lâche sur le plat et pressez-le sur les côtés. Aérez l'emballage plastique en retroussant légèrement un bord pour permettre à la vapeur excessive de s'échapper. Le plat devrait être suffisamment profond de manière à ce que l'emballage plastique ne touche pas l'aliment.
- **Plastiques propres à la cuisson au micro-ondes :**
Utilisez des plats, des tasses, des contenants de congélation semi-rigides et des sacs de plastique propres à une utilisation au micro-ondes pour de courts temps de cuisson. Utilisez-les avec soin, car le plastique pourrait se ramollir à cause de la chaleur générée par l'aliment.
- **Produits de papier :**
Essuie-tout, papier ciré, papier parchemin, serviettes de table et plats de papier sans garniture métallique ou dessin. Lisez l'étiquette du fabricant pour des instructions spéciales pour utilisation dans le four à micro-ondes.

Plats de cuisson inappropriés

- **Ustensiles et plats de cuisson métalliques :**

Le métal protège l'aliment de l'énergie micro-ondes et produit une cuisson inégale. Par ailleurs, évitez les brochettes métalliques, les thermomètres ou les plateaux en aluminium. Les ustensiles métalliques peuvent provoquer la production d'arcs électriques pouvant endommager le four à micro-ondes.

- **Décoration métallique :**

Bols, tasses, plats de service et plateaux avec garniture métallique.

- **Feuille d'aluminium :**

Évitez les grandes feuilles d'aluminium car elles nuisent à la cuisson et pourrait provoquer la production dangereuse d'arcs électriques. Utilisez de petits morceaux de feuille d'aluminium pour protéger les ailes et les cuisses de poulet. Conservez TOUTE la feuille d'aluminium à au moins 1 pouce (25 mm) des parois de la cavité du four et de la porte du micro-ondes.

- **Bois :**

Les bols et les plateaux de bois s'assècheront et pourraient se fissurer ou se fendre si vous les utilisez dans le four à micro-ondes. Les paniers fabriqués de bois réagiront de la même manière.

- **Plats de cuisson couverts de façon serrée :**

Assurez-vous de laisser des ouvertures pour permettre à la vapeur de s'échapper du plat de cuisson couvert.

Percez les pochettes de plastique de légumes ou d'autres aliments avant leur cuisson. Les pochettes trop serrées peuvent éclater.

- **Papier gris d'emballage :**

Évitez d'utiliser des sacs de papier gris d'emballage. Ils absorbent la chaleur et peuvent brûler.

- **Ustensiles de cuisson endommagés ou écaillés :**

Tout ustensile qui est fissuré, endommagé ou écaillé pourrait se briser dans le four.

- **Attaches métalliques :**

Retirez les attaches métalliques des sacs de papier ou de plastique. Ils deviennent chauds et pourraient s'enflammer.

Test de la vaisselle

Ne faites jamais fonctionner le micro-ondes sans aliments. La seule exception à cette règle est le test de vaisselle suivant.

Si vous n'êtes pas sûr que votre récipient est micro-ondable, effectuez le test suivant :

1. Placez le plat vide dans l'appareil pendant ½ à 1 minute à la puissance maximale.
2. Vérifiez régulièrement la température.

Le récipient doit être froid ou tiède.

S'il est chaud ou si des étincelles se produisent, votre récipient n'est pas approprié.

Avant la première utilisation

- Avant l'utilisation, le four doit être correctement installé par un technicien qualifié.
- Retirer tout matériau d'emballage à l'intérieur et à l'extérieur du four.
- Essuyer le four tant qu'il est froid à l'aide d'un chiffon propre et humide et sécher.
- Il peut y avoir une légère odeur aux premières utilisations. Ceci est normal et disparaîtra.
- Pour obtenir des résultats de cuisson optimaux, utiliser une batterie de cuisine adéquate.
- Lire et comprendre toutes les précautions de sécurité et le Manuel d'utilisation et d'entretien avant toute utilisation.

Exécutez les sections suivantes avant d'utilisation :

L'appareil doit être entièrement monté et branché.

Accessoires de nettoyage

Avant d'utiliser les accessoires pour la première fois, lavez les accessoires à fond avec de l'eau savonneuse et un chiffon propre et doux.

Fonctionnement

Réglage de l'horloge

Vous pouvez régler l'horloge en mode de 12 heures.

1. Touchez **Clock** (Horloge) une fois.
2. Entrez le temps souhaité à l'aide des touches numérotées.
Exemple : Pour régler l'horloge à 12:41, tapez 1 2 4 1.
3. Touchez **Clock** pour confirmer.
L'heure du jour est affichée.

Réglage de la minuterie

La fonction de minuterie peut servir de minuterie de cuisine. La valeur maximum de la minuterie est de 99:99 (minutes : secondes).

1. Touchez une fois **Timer** (Minuterie).
2. Entrez le temps souhaité à l'aide des touches numérotées.
3. Touchez **Timer** pour confirmer.

Le compte à rebours de la minuterie est lancé.

Une fois le temps réglé écoulé, **0:00** apparaît à l'écran et un signal intermittent retentit indiquant que la minuterie s'est écoulée.

Pour arrêter le signal sonore, touchez **Timer**.

Fonctionnement du ventilateur d'aération

La fonction Vent (Ventilation) déplace la vapeur et autres vapeurs de cuisson de la surface de cuisson de la cuisinière sous le four à micro-ondes.

1. Touchez une fois **Vent (high/low)** (Ventilation (haut/bas)) Le symbole de ventilation  s'allume à l'écran et le ventilateur fonctionne au réglage le plus élevé.
2. Touchez de nouveau **Vent (high/low)** et sélectionnez la vitesse la plus basse et touchez une troisième fois pour mettre à l'arrêt le ventilateur.

Remarque : Si la température autour du four à micro-ondes devient trop chaude, le ventilateur de la fonction de ventilation se mettra automatiquement en marche au niveau le plus bas pour refroidir le four. Le ventilateur sera automatiquement mis à l'arrêt dès que les pièces internes sont froides. Quand cela se produit, le ventilateur ne peut être mis à l'arrêt.

Allumage et extinction de l'éclairage

Touchez une fois **Light** (Éclairage) pour allumer un éclairage de surface de cuisson. Touchez de nouveau la touche pour éteindre l'éclairage.

Réglage du micro-ondes

L'appareil doit être éteint.

1. Entrez le temps de cuisson souhaité avec les touches numérotées. L'écran de la minuterie se remplira de droite à gauche.
Exemple : Pour régler un temps de micro-ondes de 20 minutes et 30 secondes, entrez les numéros 2 0 3 0. **START** (Démarrer) clignote.
2. Vous pouvez relancer le fonctionnement du micro-ondes avec le niveau de puissance par défaut de 10 en touchant **Start/Enter** (Démarrer/Entrer), **-ou-** vous pouvez régler le niveau de puissance. Touchez **Power Level** (Niveau de puissance). Le niveau de puissance par défaut **PL 10** clignote. Les segments de la barre sous l'écran de numéros indiquent aussi le niveau de puissance.
3. Entrez le niveau de puissance souhaité avec les touches numérotées. **PL** et le niveau de puissance sélectionné et **START** (Démarrer) clignotent à l'écran.



4. Touchez la touche **Start/Enter** pour lancer le fonctionnement du micro-ondes.
La minuterie du micro-ondes lancera le compte à rebours.

La minuterie de micro-ondes peut être modifiée en cours de fonctionnement en touchant **+30 Seconds** (+30 secondes).

Le niveau de puissance peut être modifié en cours de fonctionnement. Pour afficher le niveau de puissance réglé, touchez **Power Level**.

Une fois que le temps de micro-ondes s'est écoulé, quatre signaux sonores retentiront. L'appareil s'éteint et l'horloge est affichée.

Ouverture de la porte de l'appareil en cours de fonctionnement

L'ouverture de la porte de l'appareil en cours de fonctionnement interrompra le mode courant. Vous devez fermer la porte de l'appareil, puis toucher **Start/Enter** (Démarrer/Entrer) pour reprendre le fonctionnement.

Annuler le fonctionnement

Touchez **Clear/Off** (Effacer/Arrêt) pour annuler le mode de four actif. L'appareil s'éteint et l'horloge est affichée. Le ventilateur fonctionne encore quelque temps, puis s'arrête automatiquement.

Niveaux de puissance du micro-ondes

Les 10 niveaux de puissance disponibles sur ce micro-ondes vous aident à adapter au mieux la puissance selon le type d'aliment à préparer. Comme avec toute préparation alimentaire pour le micro-ondes, il est conseillé de suivre les instructions du micro-ondes imprimées sur l'emballage de l'aliment.

Le tableau suivant fournit les niveaux de puissance suggérés pour les différents types d'aliments pouvant être préparés au micro-ondes.

Niveau de puissance	Puissance du micro-ondes	À utiliser pour
10 Élevé	100%	Bouillir de l'eau Cuire de la viande hachée Confectionner des friandises Cuire des fruits et légumes frais Cuire du poisson et de la volaille Préchauffer un plat brunisseur Réchauffer les boissons Cuire des tranches de bacon
9	90%	Réchauffer rapidement des tranches de viande Sauter des oignons, céleris et poivrons verts
8	80%	Réchauffage Tout Cuire des œufs brouillés
7	70%	Cuire des pains et des produits céréaliers Cuire des plats de fromage Cuire des muffins, des gâteaux au chocolat et des petits gâteaux Cuire du poulet entier
6	60%	Cuire des pâtes
5	50%	Cuire de la viande Cuire de la crème pâtissière Cuire des côtes levées, du rôti de bœuf et du rôti de surlonge
4	40%	Cuire des coupes de viande moins tendres Réchauffer des aliments préparés congelés
3	30%	Décongelez de la viande, de la volaille et des fruits de mer Cuire de petites quantités d'aliments Terminer la cuisson de casseroles, de plats mijotés et de certaines sauces Fondre du chocolat

Niveau de puissance	Puissance du micro-ondes	À utiliser pour
2	20%	Ramollir du beurre et du fromage à la crème
1	10%	Ramollir de la crème glacée Lever la pâte à levure

Suggestions pour les meilleurs résultats

Pour vous aider à obtenir les meilleurs résultats possibles avec votre four à micro-ondes, lisez les suggestions suivantes ci-dessous :

- **Température de rangement**

Les aliments sortis du congélateur ou du réfrigérateur prennent plus de temps à cuire.

- **Taille**

Les petits morceaux cuisent plus rapidement que les gros. Les morceaux de taille et de forme similaires cuiront de façon plus uniforme lorsqu'ils sont cuits ensemble. Pour des résultats plus uniformes, réduisez le niveau de puissance lorsque vous faites cuire des gros morceaux.

- **Humidité naturelle**

Les aliments très humides cuisent de façon plus uniforme du fait que l'énergie du micro-ondes chauffe les molécules d'eau de façon très efficace.

- **Brassage**

Brassez les aliments comme les casseroles et les légumes de l'extérieur au centre pour distribuer la chaleur de façon plus uniforme. Cela vous permettra de cuire l'aliment plus rapidement. (Un brassage constant n'est pas nécessaire.)

- **Retournement des aliments**

Retournez les aliments tels que les côtelettes de porc, les rôtis ou le chou-fleur entier à mi-cuisson. Cela aidera à exposer tous les côtés de façon uniforme à l'énergie micro-ondes.

- **Placement des aliments**

Placez les parties délicates des aliments, comme les pointes d'asperge, vers le centre de la plaque tournante.

- **Disposition des aliments**

Disposez les aliments de forme uniforme, comme les morceaux de poulet ou le saumon, avec les parties plus épaisses, plus charnues vers l'extérieur de la plaque tournante.

- **Laissez les aliments reposer**

Après avoir retiré l'aliment du micro-ondes, couvrez l'aliment de feuilles d'aluminium ou d'un couvercle de casserole et laissez-le reposer pour terminer la cuisson. Cela aidera à terminer la cuisson de l'aliment au centre et évitera de trop cuire sur les bords extérieurs. La durée du temps de repos dépend de la densité et de la superficie des aliments.

- **Enveloppement**

Les sandwichs et de nombreux autres types d'aliments contenant du pain précuit devraient être enveloppés dans des serviettes de papier ou dans du papier ciré avant de les placer dans le micro-ondes pour aider à éviter d'assécher les aliments.

Ajout de temps de cuisson (+30 secondes)

Cette fonction d'économie de temps vous permet d'ajouter rapidement 30 secondes à tout temps de cuisson. **+30 Seconds** (+30 secondes) démarrera le micro-ondes avec 30 secondes à un niveau de puissance de 100%. Chaque temps que vous touchez la touche **+30 Seconds** (+30 secondes) 30 secondes seront ajoutées au temps de cuisson.

Décongélation


Vous pouvez régler le mode Defrost (Décongélation) en entrant un temps ou un poids spécifique.

Remarque : Le niveau de puissance ne peut être modifié dans l'un ou l'autre des modes de décongélation car cela nuirait considérablement au rendement de décongélation.

Réglage de la décongélation selon le poids

Vous pouvez régler un poids entre 0,1 et 6,0 lb.

Exemple : Décongelez 1 lb (450 g) d'aliment avec le niveau de puissance et le temps de cuisson par défaut déterminés automatiquement.

1. Touchez une fois **Defrost** (Décongélation), **0.0lb** et le symbole de décongélation  s'allument à l'écran.
2. Utilisez les touches numérotées pour saisir le poids de l'aliment à décongeler en livres (10 = 1 lb).
3. Touchez **Start/Enter** (Démarrer/Entrer).
Le temps de cuisson calculé est affiché et le compte à rebours est lancé.


Quand la décongélation est terminée, 4 signaux sonores retentiront. L'appareil s'éteint et l'horloge est affichée.

Remarque : Le poids saisi doit être compris dans la plage de poids autorisée pour que cette fonction puisse être lancée.

Remarque : Un signal sonore retentira pendant la décongélation pour tous les programmes indiquant le moment venu de retourner l'aliment ou de séparer les morceaux.

Réglage de la décongélation selon le temps

Vous pouvez régler une valeur de temps allant jusqu'à 99 heures et 99 minutes.

1. Touchez deux fois **Defrost** (Décongélation), **00:00** et le symbole d'éclairage  s'allument sur l'écran.
2. Utilisez les touches numérotées pour saisir le temps de décongélation souhaité.
3. Touchez **Start/Enter** (Démarrer/Entrer).
Le compte à rebours du temps de décongélation est lancé.

Quand la décongélation est terminée, 4 signaux sonores retentiront. L'appareil s'éteint et l'horloge est affichée.

Remarque : Un signal sonore retentira pendant la décongélation pour tous les programmes indiquant le moment venu de retourner l'aliment ou de séparer les morceaux.

Ouverture de la porte de l'appareil en cours de fonctionnement

L'ouverture de la porte de l'appareil en cours de fonctionnement interrompra le mode courant. Vous devez fermer la porte de l'appareil, puis toucher **Start/Enter** (Démarrer/Entrer) pour reprendre le fonctionnement.

Annuler le fonctionnement

Touchez **Clear/Off** (Effacer/Arrêt) pour annuler le mode de four actif. L'appareil s'éteint et l'horloge est affichée. Le ventilateur fonctionne encore quelque temps, puis s'arrête automatiquement.

Conseils pour la décongélation

AVERTISSEMENT

RISQUES À LA SANTÉ

Du liquide sera produit lors de la décongélation de viande ou de volaille. Drainez ce liquide quand vous retournez la viande ou la volaille et en aucune circonstance devriez-vous l'utiliser à d'autres fins ou lui permettre d'entrer en contact avec d'autres aliments.

- Entrez toujours le poids en lb lorsque vous utilisez la fonction de décongélation selon le poids (0,1 à 6,0 lb).
- Utilisez le mode de décongélation uniquement pour les aliments crus.
- La décongélation donne les meilleurs résultats lorsque l'aliment a décongelé et a un minimum de 0 °F (pris directement du congélateur). Si l'aliment a été rangé dans un réfrigérateur-congélateur qui ne maintient pas une température de 5 °F ou moins, programmez toujours un poids d'aliment inférieur ou un temps de cuisson inférieur pour empêcher de cuire l'aliment.
- Si l'aliment congelé est rangé à l'extérieur du congélateur pendant jusqu'à 20 minutes, entrez un temps ou un poids de cuisson réduit.
- La forme de l'emballage modifiera le temps de décongélation. Les paquets d'aliments rectangulaires et minces se décongèlent plus rapidement qu'un bloc d'aliments congelés épais.
- Séparez les morceaux à mesure qu'ils se décongèlent. Les morceaux d'aliments congelés séparés se décongèlent mieux.
- Protégez les zones chaudes de l'aliment avec de petits morceaux de feuille en aluminium si elles commencent à se chauffer.
Utilisez des petits morceaux de feuille en aluminium pour protéger les aliments comme les ailes de poulet, les extrémités des cuisses et les queues de poisson. Ne laissez pas l'aluminium toucher la cavité du four lors de la décongélation.

Suggestions de décongélation pour la viande

Pour les meilleurs résultats, veuillez lire ces suggestions quand vous décongelez la viande.

Viande	Plage de poids	Suggestions
Viande hachée	0,5 à 2 lb (8 à 48 oz)	Après chaque étape, retirez les pièces qui sont presque décongelées. Laissez au repos avec de la feuille en aluminium pendant 5 à 10 minutes.
Steaks, côtelettes ou poisson	0,5 à 3 lb (8 à 48 oz)	Après chaque étape, redispensez l'aliment. Si des portions de l'aliment sont chaudes ou décongelées, protégez-les avec des petits morceaux étroits de feuille d'aluminium. Retirez les morceaux qui sont presque décongelés. Laissez au repos couvert pendant environ 5 à 10 minutes.
Morceaux de poulet	0,5 à 3 lb (8 à 48 oz)	Après chaque étape, redispensez ou retirez les morceaux d'aliment qui sont presque décongelés. Laissez au repos pendant 10 à 20 minutes.

Reheat (Réchauffage)

Pour votre commodité, la fonction de réchauffage offre 3 réglages prédéterminés rapides selon la portion à réchauffer.

Exemple : Réchauffez 32 onces d'aliment.

1. Touchez 3 fois **Reheat** (Réchauffage) pour réchauffer 32 oz d'aliment.
32 oz apparaîtra à l'écran (voyez le tableau de catégorie de réchauffage).
2. Touchez **Start/Enter** (Démarrer/Entrer).

Catégorie de réchauffage	Touchez la touche Reheat (Réchauffage)	Affichage
8 oz d'aliment	une fois	8 oz
16 oz d'aliment	deux fois	16 oz
32 oz d'aliment	3 fois	32 oz

Remarques

- Couvrez avec une pellicule de plastique ou du papier ciré aéré.
- Réchauffez l'aliment sur un plat de service micro-ondable.

Ouverture de la porte de l'appareil en cours de fonctionnement

L'ouverture de la porte de l'appareil en cours de fonctionnement interrompra le mode courant. Vous devez fermer la porte de l'appareil, puis toucher **Start/Enter** (Démarrer/Entrer) pour reprendre le fonctionnement.

Annuler le fonctionnement

Touchez **Clear/Off** (Effacer/Arrêt) pour annuler le mode de four actif. L'appareil s'éteint et l'horloge est affichée. Le ventilateur fonctionne encore quelque temps, puis s'arrête automatiquement.

Suggestions pour le réchauffage des aliments

Aliment	Directions	Quantité
Assiette plate	Utilisez uniquement des aliments réfrigérés pré-cuits. Couvrez l'assiette avec une pellicule de plastique ou du papier ciré aéré, rangé sous l'assiette. Si l'aliment n'est pas aussi chaud que vous l'auriez souhaité après son réchauffage avec la fonction de réchauffage, continuez de chauffer en utilisant le réglage manuel de temps et de niveau de puissance. Contenu: <ul style="list-style-type: none">• Viande, poulet ou poisson de 3-4 oz (jusqu'à 6 oz avec os)• une demi-tasse de féculent (pommes de terre, pâtes, riz, etc.)• 1/2 tasse de légumes (environ 3-4 oz)	1 portion (1 plat)
Casserole, pâtes	Plats à couvercle avec couvercle ou pellicule en plastique aérée. Si l'aliment n'est pas aussi chaud que vous l'auriez souhaité après son réchauffage avec la fonction de réchauffage, continuez de chauffer en utilisant le réglage manuel de temps et de niveau de puissance. Brassez les aliments une fois avant de servir. Contenu: <ul style="list-style-type: none">• Aliments réfrigérés dans une casserole (comme un ragoût de bœuf ou une lasagne)• Spaghetti et ravioli en boîte, aliments réfrigérés	1 à 4 portions

Fonctionnement commode

Boisson

La fonction Boissons réchauffe 1, 2 ou 3 tasses de boisson. Utilisez le tableau ci-dessous pour déterminer le réglage à utiliser.

Montant	Touchez la touche Beverages (Boissons)
1 tasse (environ 8 oz)	une fois
2 tasses (environ 16 oz)	deux fois
3 tasses (environ 24 oz)	3 fois

Exemple : Chauffez 1 tasse de boisson.

1. Touchez une fois **Beverage** (Boisson).

2. Touchez **Start/Enter** (Démarrer/Entrer).

Quand la minuterie s'est écoulée, 4 signaux sonores indiqueront que le programme est terminé.

Pommes de terre

La fonction pommes de terre cuit 1, 2 ou 3 (temps de cuisson selon 8 à 24 oz) pommes de terre automatiquement. Utilisez le tableau ci-dessous pour déterminer le réglage à utiliser.

Montant	Touchez la touche Potato (Pomme de terre)
1 pomme de terre (réglage par défaut)	une fois
2 pommes de terre	deux fois
3 pommes de terre	3 fois

Exemple : Faites cuire 1 pomme de terre automatiquement.

1. Touchez une fois la touche **Potato** (Pomme de terre).

2. Touchez **Start/Enter** (Démarrer/Entrer).

Suggestions de cuisson de commodité

Mode Convenience (Commodité)	Montant	Suggestion
Popcorn	1,75, 3,0, 3,5 oz. / 1 paquet	Faites cuire un seul sac de popcorn "pour micro-ondes seulement" à la fois. Soyez prudents au moment de retirer et d'ouvrir le sac de popcorn chaud du four. Laissez le four à micro-ondes se refroidir pendant au moins 5 minutes avant de le réutiliser.
Pommes de terre	1,2,3 pommes de terre / 8, 16, 24 oz	Percez chaque pomme de terre plusieurs fois à la fourchette. Disposez en cercle sur la plaque tournante. Laissez au repos pendant 3 à 5 minutes après la cuisson. Laissez le four se refroidir pendant au moins 5 minutes avant de le réutiliser. Utilisez la touche +30sec pour augmenter le temps de cuisson pour des pommes de terre plus grandes.
Boisson	1,2,3 tasses / 8 oz, 16 oz, 24 oz	Utilisez une tasse micro-ondable; ne couvrez pas. Placez la boisson dans le micro-ondes. Après le réchauffage, agitez bien. Laissez le four refroidir pendant au moins 5 minutes avant de réutiliser. Les boissons chauffés avec le mode boisson peuvent devenir très chaudes. Soyez prudent au moment de retirer le contenant.

Quand la minuterie s'est écoulée, 4 signaux sonores indiqueront que le programme est terminé.

Remarques

- Avant la cuisson, percez les pommes de terre plusieurs fois à la fourchette.
- Après la cuisson, laissez les pommes de terre au repos pendant 5 minutes.

Popcorn

⚠ ATTENTION

Ne laissez pas le four sans surveillance lorsque vous faites éclater le popcorn. Le popcorn pourrait s'enflammer et provoquer un incendie.

Réglage du mode Popcorn

La fonction popcorn vous permet de faire éclater trois différents sacs de popcorn micro-ondables disponibles dans le commerce. Utilisez les tableaux ci-dessous pour déterminer le réglage à utiliser.

Taille du sac	Touchez la touche Popcorn
1,75 oz (réglage par défaut)	une fois
3,0 oz	deux fois
3,5 oz	3 fois

Exemple : Éclatez un sac de popcorn de 3,5 oz automatiquement :

1. Touchez trois fois **Popcorn**.

2. Touchez **Start/Enter** (Démarrer/Entrer).

Quand le temps de micro-ondes s'est écoulé, 4 signaux sonores indiqueront que le programme est terminé.

Tableaux de cuisson

Les tableaux de cuisson peuvent servir de guide. Suivez les instructions de l'emballage ou de la recette.

Cuisson de la viande dans le four à micro-ondes

Assurez-vous de disposer les viandes préparées sur une grille à rôtir transparente aux micro-ondes et dans un plat transparent aux micro-ondes. Démarrez la cuisson de la viande, graisse tournée vers le bas et, si nécessaire,

utilisez de fines bandelettes de papier aluminium pour couvrir l'extrémité des os ou les parties minces. Une fois la cuisson terminée, vérifiez la température à plusieurs endroits avant de laisser reposer la viande pendant la durée de temps recommandée. Veuillez noter que les températures données dans les tableaux ci-dessous correspondent aux températures des aliments à leur retrait du four ; la température augmentera pendant la période de repos.

Viande	Niveau de puissance	Temps de cuisson	Instructions
Rôti de bœuf (désossé) (jusqu'à 4 lb)	Élevé (10) pour les cinq premières minutes, puis moyen (5)	12 à 17 minutes/lb pour 160° F (71°C) (Moyen) 14 à 19 minutes/lb pour 170° F (76°C) (Bien cuit)	Mettez le rôti de bœuf sur la grille à rôtir, graisse tournée vers le bas. Couvrez avec du papier paraffiné. Tournez le rôti à mi-cuisson. Laissez reposer pendant 10 à 15 minutes.*
Rôti de porc (désossé ou avec l'os) (jusqu'à 4 lb)	Élevé (10) pour les cinq premières minutes, puis moyen (5)	15 à 20 minutes/lb pour 170° F (76°C) (Bien cuit)	Mettez le rôti de bœuf sur la grille à rôtir, graisse tournée vers le bas. Couvrez avec du papier paraffiné. Tournez le rôti à mi-cuisson. Laissez reposer pendant 10 à 15 minutes.*

*S'attendre à une élévation de température de 10° F pendant la période de repos.

Période de repose

Viande	Degré de cuisson	Retirer du four	Après repos (10 à 15 minutes)
Bifteck	Moyen	150°F (65°C)	160°F (71°C)
	Bien cuit	160°F (71°C)	170°F (77°C)
Porc	Moyen	150°F (65°C)	160°F (71°C)
	Bien cuit	160°F (71°C)	170°F (77°C)
Volaille	Viande rouge	150°F (65°C)	150°F (65°C)
	Viande blanche	160°F (71°C)	160°F (71°C)

Cuisson de la volaille dans le four à micro-ondes

Assurez-vous de disposer la volaille sur une grille à rôtir et dans un plat transparent aux micro-ondes. Couvrez la volaille avec du papier paraffiné pour éviter les projections. Utilisez des bandelettes de papier aluminium

pour couvrir l'extrémité des os ou les parties minces ou les endroits qui risquent de trop cuire. Une fois la cuisson terminée, vérifiez la température à plusieurs endroits avant de laisser reposer la viande pendant la durée de temps recommandée.

Viande	Niveau de puissance	Temps de cuisson	Instructions
Volaille entière (jusqu'à 4 lb)	feu moyen élevé (7) 180° F (82°C) viande rouge 170° F (76°C) viande rouge	7–10 min./lb	Mettez le poulet sur la grille à rôtir, la poitrine tournée vers le bas. Couvrez avec du papier paraffiné. Tournez le rôti à mi-cuisson. Faites cuire le poulet jusqu'à ce que les jus qui s'en écoulent soient clairs et jusqu'à ce que la viande autour de l'os ne soit plus rose. Laissez reposer pendant 5 à 10 minutes.
Morceaux de poulet (jusqu'à 4 lb)	feu moyen élevé (7) 180° F (82°C) viande rouge 170° F (76°C) viande rouge	7–10 min./lb	Mettez le poulet dans le plat, os tournée vers le bas. Couvrez avec du papier paraffiné. Tournez le rôti à mi-cuisson. Faites cuire le poulet jusqu'à ce que les jus qui s'en écoulent soient clairs et jusqu'à ce que la viande autour de l'os ne soit plus rose. Laissez reposer pendant 5 à 10 minutes.

Cuisson des œufs dans le micro-ondes

- Ne cuisez jamais les œufs dans leur coquille et ne réchauffez jamais des œufs durs dans leur coquille, au risque de les éclater.
- Percez toujours le jaune d'œuf des œufs entiers pour les empêcher d'éclater.
- Cuisez les œufs jusqu'à ce qu'ils soient pris; ils durciront s'ils sont trop cuits.
- La cuisson des œufs brouillés est permise.

Cuisson de légumes dans votre micro-ondes

- Les légumes doivent être lavés juste avant leur cuisson. De l'eau additionnelle n'est que très rarement requise. Si des légumes denses, comme des pommes de terre ou des carottes sont à cuire, ajoutez environ un quart de tasse d'eau.
- Les petits légumes (carottes tranchées, petits pois, haricots de Lima, etc.) cuiront plus rapidement que les légumes plus grands.
- Les légumes entiers comme les pommes de terre, la courge poivrée ou l'épi de maïs devraient être disposés dans un cercle sur la plaque tournante avant la cuisson. Ils cuiront de façon plus uniforme si vous les retournez à mi-cuisson.
- Placez toujours les légumes comme les asperges et le brocoli avec les tronçons pointés vers le bord du plat et les pointes vers le centre.

- Lorsque vous faites cuire des légumes coupés, couvrez toujours le plat avec un couvercle ou une pellicule de plastique micro-ondable aérée.
- La peau des légumes entiers non pelés, comme les pommes de terre, les patates douces, les courges, les aubergines, etc. doit être percée à plusieurs endroits avant la cuisson pour les empêcher d'éclater.
- Pour une cuisson plus uniforme, brassez ou redispensez les légumes entiers à mi-cuisson.
- Dans la plupart du temps, plus l'aliment est dense, plus il faudra le laisser au repos. Par exemple, une pomme de terre cuite au four devrait être laissée au repos pendant 5 minutes avant de la servir, tandis qu'un plat de petits pois peut être servi immédiatement.

Cuisson de fruits de mer dans le micro-ondes

Assurez-vous de disposer le poisson sur une grille à rôtir et dans un plat transparent aux micro-ondes. Assurez-vous de toujours cuire le poisson jusqu'à ce qu'il se détache facilement à la fourchette. Utilisez un couvercle bien serré pour cuire à la vapeur le poisson; un couvercle plus léger de papier ciré ou de serviette de papier réduit l'efficacité de la cuisson à la vapeur. Prenez soin de ne pas trop cuire le poisson; vérifiez au temps de cuisson minimum avant de poursuivre.

Fruits de mer	Niveau de puissance	Temps de cuisson	Directions
Steaks de poisson jusqu'à 1 ½ lb	Feu moyen (7)	7–11 min. /lb	Disposez le poisson sur une grille de rôtisserie avec les portions charnues vers l'extérieur de la grille. Couvrez avec du papier ciré. Retournez et redispensez à mi-cuisson. Faites cuire jusqu'à ce que le poisson se détache facilement à la fourchette. Laissez reposer 3 à 5 min.
Filets de poisson jusqu'à 1 ½ lb.	Feu moyen (7)	7–11 min. /lb	Disposez les filets dans un plat allant au four, en tournant les morceaux minces se trouvant en-dessous. Couvrez avec du papier ciré. Si l'épaisseur du filet est supérieure à ½ po, retournez et redispensez à mi-cuisson. Faites cuire le poisson jusqu'à ce qu'il se détache facilement à la fourchette. Laissez reposer 2 à 3 min.
Crevettes jusqu'à 1 ½ lb.	Feu moyen (7)	7–11 min. /lb	Disposez les crevettes dans un plat allant au four sans les chevaucher ou les entasser. Couvrez avec du papier ciré. Faites cuire jusqu'à ce qu'elles soient fermes et opaques, en brassant deux ou trois fois. Laissez reposer 5 min.

Nettoyage et entretien

▲ AVERTISSEMENT

Assurez-vous que l'appareil tout entier (y compris les filtres de graisse et les ampoules) s'est refroidi et que la graisse s'est solidifiée avant de tenter de nettoyer une partie quelconque de l'appareil.

▲ AVERTISSEMENT

S'assurer que l'appareil et les ampoules ont refroidi et que le courant qui alimente l'appareil a été coupé avant de changer une ou plusieurs ampoules. Le non respect de cette instruction peut entraîner un choc électrique ou des brûlures. Les lentilles (le cas échéant) doivent être mises en place lors de l'utilisation de l'appareil. Les lentilles (le cas échéant) permettent d'éviter que les ampoules ne se brisent. Les lentilles (le cas échéant) sont en verre. Manipuler avec précaution pour éviter les cassures. Le verre brisé peut être une cause de blessures.

▲ AVERTISSEMENT

Si l'alimentation principale n'est pas coupée, la douille reste sous tension lorsque la porte est ouverte.

Nettoyage

Guide de nettoyage

- Pour une meilleure performance et par souci de sécurité, conservez le four propre à l'intérieur et à l'extérieur. Prenez particulièrement soin de maintenir le panneau de porte intérieur et le cadre avant du four exempts d'aliments et d'accumulations de graisse.
- N'utilisez jamais des poudres ou des tampons à récurer abrasifs sur le micro-ondes. Essuyez l'intérieur et l'extérieur du four à micro-ondes avec un chiffon doux et une solution tiède (pas chaud) de détergent léger. Rincez et essuyez complètement à sec.
- Essuyez les éclaboussures immédiatement avec une serviette de papier mouillée, surtout après la cuisson d'aliments gras comme le poulet ou le bacon.
- Nettoyez votre micro-ondes une fois par semaine ou plus, selon le besoin.
- N'utilisez jamais le four à micro-ondes sans aliment dans la cavité du four, cela pourrait endommager le tube magnétron ou le plat de verre. Vous pourriez choisir de laisser une tasse d'eau à l'intérieur du four lorsqu'il ne sert pas pour empêcher l'endommagement du four en cas d'allumage accidentel.

Pièce	Recommandations
Cavité du four	Conservez l'intérieur (la cavité) du four propre. Les particules alimentaires et les liquides déversés peuvent adhérer aux parois du four, dégradant ainsi le rendement du four. Essuyez immédiatement tous les déversements. Utilisez un chiffon humide et propre et un savon léger. N'UTILISEZ PAS des détergents puissants ou des nettoyants abrasifs. Pour aider à détacher les particules alimentaires ou les liquides collés, chauffez 2 tasses d'eau (ajoutez le jus d'un citron, si vous souhaitez donner une odeur fraîche à votre four) dans un bol à mesurer micro-ondable de 4 tasses à haute puissance pendant 5 minutes ou jusqu'à ébullition. Laissez reposer dans la cavité du four pendant 1 ou 2 minutes.
Grille	Lavez avec de l'eau savonneuse. Rincez à fond et séchez ou frottez doucement avec une poudre de nettoyage ou des tampons savonneux selon les instructions.
Plaque tournante de verre	Retirez la plaque tournante de verre du four lorsque vous nettoyez la cavité du four et le plateau. AVIS : Pour empêcher la plaque tournante de verre de se briser, manipulez-la avec soin et ne la plongez pas dans l'eau immédiatement après la cuisson. Lavez la plaque tournante de verre dans de l'eau savonneuse chaude ou dans le lave-vaisselle.
Repose-rouleau de plaque tournante.	Nettoyez avec de l'eau tiède savonneuse. Rincez à fond et séchez.
Verre de porte	Lavez avec du savon et de l'eau ou avec un nettoyant pour verre. Utilisez du produit Fantastik® ou Formula 409® avec une éponge propre ou une serviette de papier et essuyez. Évitez d'utiliser des nettoyants abrasifs, comme les agents de nettoyage en poudre, les tampons en laine d'acier et les nettoyants pour four. Si la vapeur s'accumule à l'intérieur ou à l'extérieur de la porte du four, essuyez avec un chiffon doux. La vapeur peut s'accumuler en cours de fonctionnement du four à forte humidité et n'indique d'aucune manière une fuite du micro-ondes.

Pièce	Recommandations
Surfaces peintes	Nettoyez avec de l'eau chaude savonneuse ou appliquez du produit Fantastik® ou Formula 409® sur une éponge propre ou une serviette de papier et essuyez. Évitez d'utiliser des nettoyants abrasifs, comme les agents de nettoyage en poudre, les tampons en laine d'acier et les nettoyants pour four.
Surfaces en acier inoxydable	Essuyez ou frottez toujours dans la direction du grain. Nettoyez avec une éponge savonneuse, puis rincez et séchez ou essuyez avec du produit Fantastik® pulvérisé sur une serviette de papier. Protégez et polissez avec le produit Stainless Steel Magic® et un chiffon doux. Retirez les traces d'eau avec un chiffon humecté de vinaigre blanc. Ne pas utiliser des nettoyants qui contiennent du chlore , ils peuvent rouiller l'acier inoxydable.
Plastique et commandes	Lorsqu'ils sont froids, nettoyez avec de l'eau savonneuse, rincez et séchez.
Zones imprimées (Mots et numéros)	N'utilisez pas des nettoyants abrasifs ou des solvants à base de pétrole.

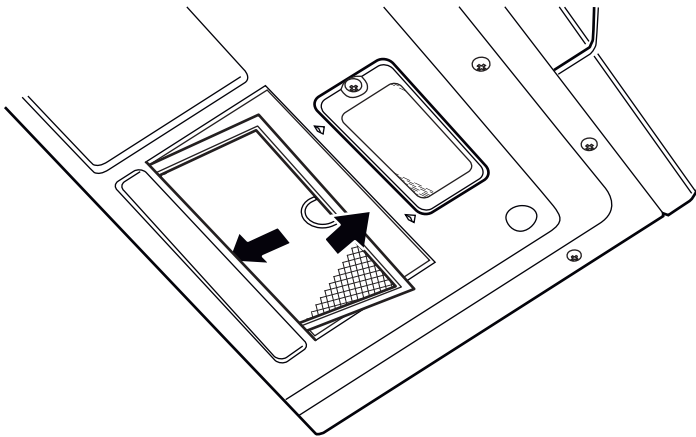
Nettoyage des filtres de ventilation du four

Les filtres de ventilation du four devraient être retirés et nettoyés souvent; généralement au moins une fois par mois.

⚠ ATTENTION

Pour éviter le risque de blessure ou de dégât matériel, n'utilisez pas les événements de four sans filtres correctement en place.

1. Pour retirer les filtres de ventilation, coulissez le filtre vers l'arrière. Puis tirez le filtre vers le bas et poussez vers l'autre côté. Le filtre sortira. Répétez pour le deuxième filtre.

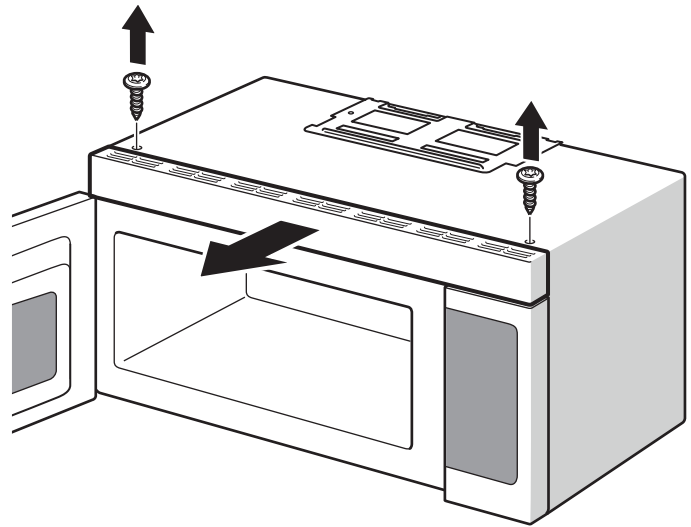


2. Trempez les filtres de ventilation dans de l'eau chaude avec un détergent léger. Rincez bien et secouez pour sécher. N'utilisez pas de l'ammoniaque et ne lavez pas au lave-vaisselle. L'aluminium du filtre se corrodera et se noircira.
3. Pour réinstaller un filtre de ventilation de four, coulissez-le dans la fente latérale, puis poussez vers le haut et en direction du four pour le verrouiller. Réinstallez le deuxième filtre selon la même procédure.

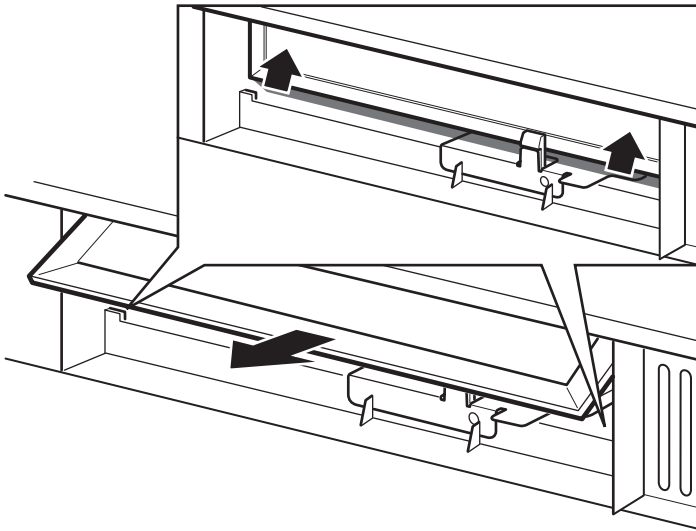
Entretien

Remplacement de l'éclairage du four

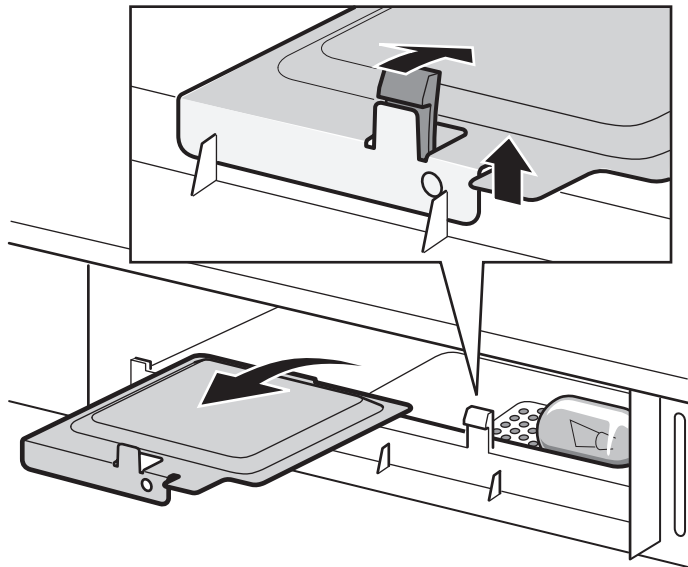
1. Pour remplacer l'ampoule, coupez d'abord l'alimentation du four à micro-ondes au panneau de disjoncteur ou en débranchant le cordon d'alimentation.
2. Retirez les vis de montage de la grille de ventilation.
3. Dégagez la grille de ventilation de l'unité.



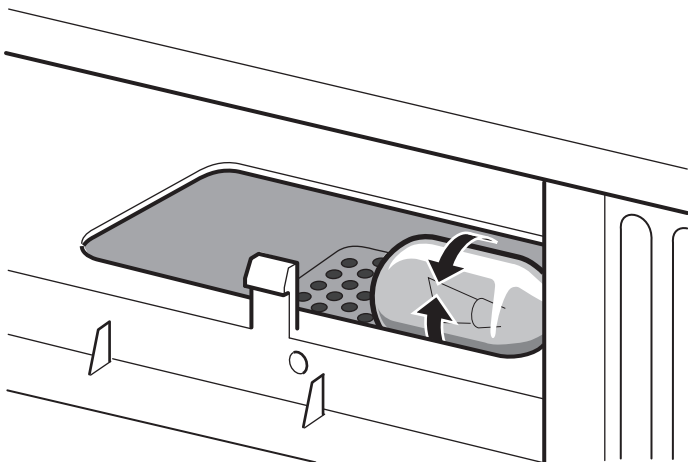
4. Retirez le filtre à charbon en le poussant vers l'intérieur, puis tournez et tirez-le pour l'ôter.



5. Ouvrez le couvre-éclairage se trouvant derrière la fixation du filtre en tirant soigneusement sur le bord avant.



6. Retirez l'ancienne ampoule et remplacez seulement avec une ampoule de 30 watts équivalente disponible d'un distributeur de pièces. Les ampoules sont aussi disponibles dans la plupart des quincailleries et magasins de luminaires.



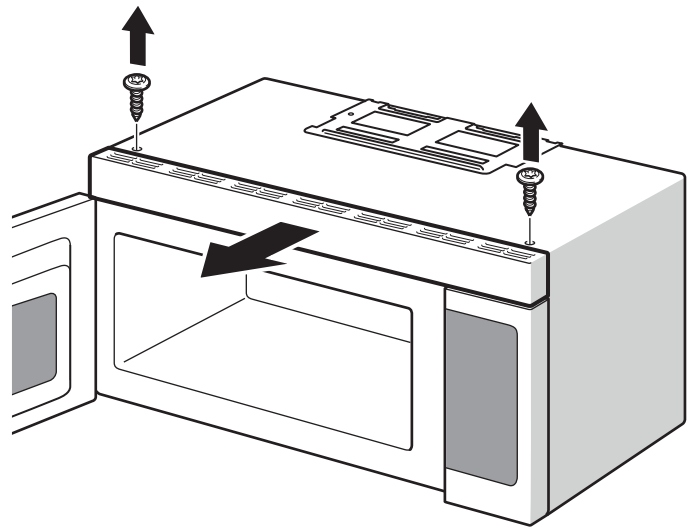
Remarque : N'UTILISEZ PAS UNE AMPOULE SUPÉRIEURE À 30 WATTS.

7. Remettez en place le couvre-éclairage de four à micro-ondes en le poussant soigneusement en place. Remplacez le filtre à charbon. Poussez la grille de ventilation en place (en engageant les languettes du haut et du bas) et remplacez les vis de montage de la grille de ventilation

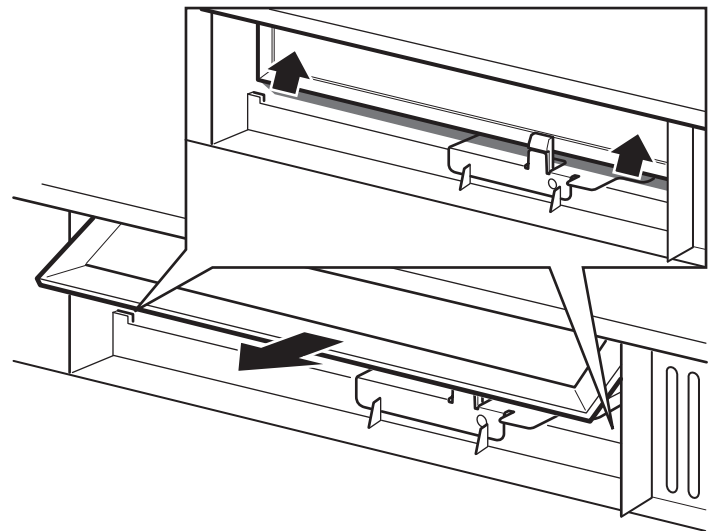
Remplacement du filtre à charbon

Le filtre à charbon, lequel est fourni avec votre four à micro-ondes, est utilisé dans les installations non aérées à recirculation de l'air (Ventilation de pièce). Le filtre doit être remplacé tous les 6 à 12 mois selon l'utilisation.

1. Débranchez l'alimentation au four à micro-ondes au panneau de disjoncteur ou en débranchant le cordon d'alimentation.
2. Retirez les vis de montage de la grille de ventilation.
3. Dégagez la grille de ventilation de l'unité.



4. Changez le filtre à charbon.



5. Repoussez soigneusement la grille de ventilation en place et remettez en place les vis retirées à l'étape 2.

Remarque : Sans filtre à charbon installé, il n'est pas possible de recueillir les substances odorantes des vapeurs de cuisson.

Vous pouvez acheter de filtres à charbon de Bosch
eshop, www.bosch-home.ca/fr/service/nettoyants-et-accessoires.

Numéro d'ordre 00676120

Dépannage

Avant de contacter le Service Après-Vente, veuillez songer à suivre les suggestions et les instructions ci-dessous :

Problème	Suggestion
Ni l'écran ni le four du micro-ondes fonctionne.	<ul style="list-style-type: none">• Insérez correctement la fiche dans une prise de courant mise à la terre.• Retirez la fiche de la prise, attendez 10 secondes, puis branchez de nouveau le micro-ondes.• Réenclenchez le disjoncteur du circuit résidentiel ou remplacez tout fusible grillé.• Branchez un autre appareil dans la prise de courant. Si l'autre appareil n'est pas alimenté, demandez à un électricien de réparer la prise de courant.• Branchez le micro-ondes dans une prise différente.
L'écran fonctionne mais le four ne fonctionne pas.	<ul style="list-style-type: none">• Assurez-vous que la porte du four est bien fermée.• Vérifiez si du matériel d'emballage ou autres matériaux sont collés dans le joint d'étanchéité de porte.• Examinez la porte du four pour voir si elle est endommagée.• Appuyez deux fois sur la touche Clear/Off (Effacer/Arrêt) et essayez de ressaisir les instructions de cuisson.
L'alimentation est coupée avant que le temps de cuisson ne s'est écoulé.	<ul style="list-style-type: none">• En cas d'interruption de courant, retirez la fiche de la prise de courant; attendez 10 secondes, puis branchez de nouveau le micro-ondes. En cas de panne de courant, l'indicateur de temps de l'écran affichera 00:00.• Réinitialisez l'horloge et toute instruction de cuisson.• Réenclenchez le disjoncteur du circuit résidentiel ou remplacez tout fusible grillé.• Appuyez deux fois sur la touche Clear/Off (Effacer/Arrêt) et essayez de ressaisir les instructions de cuisson.• Branchez un autre appareil dans la prise de courant. Si l'autre appareil n'est pas alimenté, demandez à un électricien de réparer la prise de courant.• Branchez le micro-ondes dans une prise différente.
L'aliment cuit trop lentement.	Assurez-vous que le four est branché sur un circuit séparé de 20 ampères. Un autre appareil branché sur le même circuit pourrait provoquer une baisse de tension. Au besoin, branchez le micro-ondes sur son propre circuit.
Vous voyez des étincelles ou une formation d'arcs.	Retirez tout ustensile métallique, casserole métallique ou attache métallique de la cavité du four. Si vous utilisez de la feuille en aluminium, utilisez seulement des bandes étroites et prévoyez au minimum un espace de 1 po entre l'aluminium et les parois intérieures du four.
La plaque tournante produit du bruit ou colle.	<ul style="list-style-type: none">• Nettoyez la plaque tournante, l'anneau du rouleau et le bas de la cavité du four.• Assurez-vous que la plaque tournante et l'anneau de rouleau sont positionnés correctement.
L'utilisation du micro-ondes perturbe la réception de la télévision ou de la radio.	Cela est similaire à la perturbation causée par d'autres petits appareils, comme des sècheuses. Éloignez davantage le four à micro-ondes des autres appareils comme votre téléviseur ou radio.
L'éclairage DEL ne fonctionne pas.	Appelez le service après-vente.

Remarque : Si le four est réglé pour une cuisson de plus de 30 minutes à un niveau de puissance de 100%, il réduira automatiquement la puissance à un niveau de puissance de 80% après 30 minutes pour éviter de trop cuire.

Soutien Bosch®

Avant d'appeler le service de dépannage

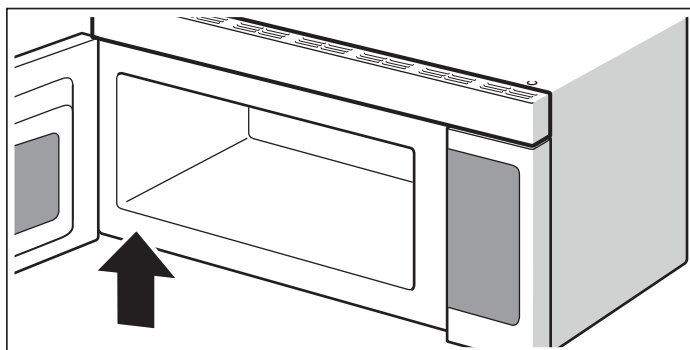
Pour des informations sur le dépannage, se reporter au Manuel d'utilisation et d'entretien. Consulter la "Énoncé de la Garantie Limitée" figurant dans le Manuel d'utilisation et d'entretien.

Pour contacter un technicien de dépannage, voir les coordonnées sur la couverture avant du manuel ou dans la section suivante. Lorsque vous téléphonez, soyez prêt à fournir les informations imprimées sur la plaque signalétique de votre produit.

Plaque signalétique

La plaque signalétique affiche le modèle et le numéro de série. Consultez la plaque signalétique de l'appareil lorsque vous sollicitez un service.

La plaque signalétique se trouve à l'intérieur de l'appareil.



Pour ne pas avoir à chercher longtemps en cas de besoin, vous pouvez inscrire ici les références de l'appareil et le numéro de téléphone du service après-vente

N° de modèle

N° FD

Date d'achat

Service après-vente ☎

Conservez votre facture ou votre contrat aux fins de validation de garantie si jamais vous avez besoin de service.

Service

Nous réalisons que vous avez effectué un investissement considérable dans votre cuisine. Nous nous engageons à offrir tout le support dont vous et votre appareil avez besoin afin que vous puissiez profiter pleinement de votre appareil.

Ne pas hésiter à contacter notre département de service à la clientèle si vous avez des questions ou dans le cas peu probable que votre appareil Bosch® ait besoin d'entretien. Notre équipe de service est prête à vous aider.

USA

800-944-2904

www.bosch-home.com/us/owner-support/get-support

Canada

800-944-2904

www.bosch-home.ca/fr/service/trouver-de-l-aide

Pièces et accessoires

Les pièces, les filtres, les décalamineuses, les nettoyants en acier inoxydable et plus encore peuvent être achetés dans le magasin en ligne Bosch ou par téléphone.

USA

www.bosch-home.com/us/shop

Canada

www.bosch-home.ca/fr/service/nettoyants-et-accessoires

ÉNONCÉ DE LA GARANTIE LIMITÉE DE PRODUIT

Couverture de la garantie limitée

La garantie limitée fournie par BSH Home Appliances (« Bosch ») dans cet énoncé de garantie limitée s'applique seulement à l'appareil Bosch qui vous a été vendu (« Produit »), pour autant que le produit ait été acheté :

- Pour une utilisation normale résidentielle (non-commerciale), et qu'il a été utilisé en tout temps pour un usage domestique normal.
- Neuf au détail auprès d'un revendeur agréé BSH ou directement auprès de BSH (pas un présentoir, « tel quel », ou un modèle précédemment retourné), et non destiné à la revente ou à un usage commercial.
- Aux États-Unis ou au Canada et qu'il est demeuré en tout temps dans son pays d'achat.

Les garanties aux présentes s'appliquent à l'acheteur original du produit sous garantie et à tout propriétaire successif du produit acheté pour une utilisation résidentielle habituelle et la durée de la garantie.

Assurez-vous d'enregistrer votre produit ; bien qu'il ne soit pas nécessaire pour appliquer la garantie, c'est le meilleur moyen pour Bosch de vous informer dans le cas peu probable d'un avis de sécurité ou d'un rappel de produit.

Durée de la garantie

Bosch garantit que le produit est exempt de défauts de matériaux et de fabrication pendant une période de trois cent soixante-cinq (365) jours à compter de la date de livraison initiale. La période susmentionnée commence à partir de la date de livraison et ne doit pas être retenue, retardée, prolongée, ou interrompue pour une raison quelconque. Ce produit est également garanti exempt de défauts cosmétiques de matériaux et de fabrication (tels que des rayures sur l'acier inoxydable, des taches de peinture/porcelaine, des éclats, des bosses ou d'autres dommages à la finition) du produit, pendant une période de trente (30) jours à compter de la date de livraison ou de la date de clôture pour les nouvelles constructions. La présente garantie cosmétique exclut les variations légères de couleur causées par les différences inhérentes entre les sections peintes et les sections en porcelaine, de même que les différences causées par l'éclairage de la cuisine, l'emplacement du produit et autres facteurs similaires. La présente garantie cosmétique exclut spécifiquement tous les appareils en montre, de plancher, « tel quel » et remis à neuf.

Réparation ou remplacement : votre recours exclusif

Pendant cette période de garantie, Bosch ou l'un de ses centres de réparations autorisés réparera gratuitement votre produit (sous réserve de certaines restrictions aux présentes) si celui-ci présente des défauts de matériels ou de fabrication. Si des tentatives raisonnables pour réparer le produit sont vaines, alors Bosch remplacera le produit

(un modèle supérieur peut être offert, à la seule discrétion de Bosch, moyennant des frais supplémentaires). Rien dans cette garantie n'exige que les pièces endommagées ou défectueuses soient remplacées par des pièces d'un type ou d'une conception différent de la pièce d'origine. Toutes les pièces ou les composants enlevés demeurent la seule propriété de Bosch. Toute pièce remplacée ou réparée doit être identique à la pièce d'origine aux fins de la présente garantie et la garantie ne sera pas prolongée en regard de telles pièces. La seule responsabilité de Bosch est de faire réparer le produit défectueux uniquement par un centre de réparation autorisé pendant les heures de travail normales. Pour des raisons de sécurité et de dommages matériels, Bosch vous recommande fortement de ne pas essayer de réparer le produit vous-même ou de faire appel à un prestataire de services non agréé ; Bosch décline toute responsabilité en cas de dommages résultant de réparations ou de travaux effectués par un prestataire de services non agréé. Les centres de réparation autorisés sont les personnes ou les entreprises qui ont été spécialement formées sur les produits Bosch et qui possèdent, selon l'opinion de Bosch, une réputation supérieure pour le service après-vente et la capacité technique (il est à noter qu'elles sont des entités indépendantes et non des agents, partenaires, affiliés ou représentants de Bosch). Néanmoins, le fait de confier l'entretien de votre produit à un atelier de réparation non affilié ou à un revendeur agréé Bosch n'annulera pas cette garantie. De plus, l'utilisation de pièces tierces n'annulera pas cette garantie. Nonobstant ce qui précède, Bosch ne sera pas tenue responsable d'aucune façon si le produit est situé dans une région éloignée (supérieure à 100 miles d'un centre de réparation autorisé) ou n'est pas accessible de façon raisonnable, dans un environnement ou un local dangereux, menaçant ou périlleux; dans une telle éventualité, à la demande du consommateur, Bosch pourrait encore payer les frais de main-d'œuvre et de pièces et expédier les pièces au centre de réparation autorisé le plus près, mais le consommateur serait entièrement responsable pour tous les frais de déplacement et autres frais spéciaux encourus par le centre de réparation, en autant qu'il accepte la demande de réparation. En outre, dans la mesure où vous avez installé le produit dans un endroit difficile d'accès ou si vous avez installé des installations temporaires ou permanentes qui créent des obstacles à l'accès ou au retrait du produit, Bosch n'encourra aucune responsabilité ou n'aura aucune responsabilité pour les travaux ou les coûts associés au déplacement du Produit ou à la création d'un accès au Produit afin de le réparer ou de le remplacer. Tous ces frais seront à votre charge exclusive.

Produit hors garantie

Bosch n'a aucune obligation, aux termes de la loi ou autrement, d'offrir toute concession, incluant réparation, prorata ou remplacement de produit une fois la garantie expirée.

Exclusions de garantie

La couverture de garantie décrite dans les présentes exclut tous les défauts ou dommages pour lesquels Bosch serait directement imputable, y compris, sans s'y limiter, l'un ou plusieurs des cas suivants :

- Utilisation du produit autre qu'un usage normal, habituel et de la façon destinée (incluant, sans s'y limiter, toute forme d'utilisation commerciale, d'utilisation ou de rangement d'un produit pour l'intérieur à l'extérieur, d'utilisation du produit de concert avec un transporteur aérien ou marin).
- Mauvaise conduite de toute partie, négligence, mauvaise utilisation, abus, accidents, fonctionnement inadéquat, mauvais entretien, installation inadéquate ou négligente, altération, manquement d'observer les instructions de fonctionnement, mauvaise manipulation, service non autorisé (incluant réparation par le consommateur ou exploration du fonctionnement interne du produit).
- Réglage, modification ou altération de tout type.
- Non conformité aux normes fédérales, provinciales, municipales ou électriques en vigueur au pays, aux codes de plomberie ou du bâtiment, aux réglementations ou aux lois, incluant le non respect d'installer le produit en stricte conformité avec les codes et les réglementations du bâtiment et d'incendie locaux.
- Bris et usure normaux, déversements d'aliments ou de liquides, accumulations de graisse ou d'autres substances dans, sur ou autour du Produit.
- Toute force ou tout facteur externe, élémentaire et / ou environnemental, incluant sans limitation, la pluie, le vent, le sable, les inondations, les incendies, les coulées de boue, le gel, l'humidité excessive ou l'exposition prolongée à l'humidité, la foudre, les surtensions, les problèmes de structure autour de l'appareil et les désastres naturels.
- Demandes de service visant à corriger l'installation de votre Produit, à obtenir des conseils à propos de son utilisation, à remplacer les fusibles de votre maison ou à réparer l'installation électrique ou la plomberie de votre foyer.
- Retrait et remplacement de la garniture ou des panneaux de décoration qui entravent l'entretien du produit.
- Dommages ou défauts résultant de la main-d'œuvre ou de pièces installées par un centre de réparation non autorisé, à moins d'être approuvé par Bosch avant de procéder à sa réparation. En aucun cas, Bosch ne sera tenue responsable de dommages survenus à la propriété environnantes, incluant les armoires, les planchers, les plafonds et les autres objets ou structures situés autour du produit. Également exclus de la garantie sont les Produits dont les numéros de série ont été modifiés, effacés ou enlevés; les demandes de réparations pour enseigner le fonctionnement du Produit ou les visites où il n'y a aucun problème avec le produit; la correction de problèmes d'installation (le consommateur est seul responsable pour toute structure et tout réglage du Produit, incluant l'électricité, la plomberie et les autres raccordements nécessaires, pour une fondation / plancher approprié[e], et pour toute modification

incluant, sans limitation, armoires, murs, planchers, tablettes, etc.) et le réenclenchement de disjoncteurs ou le remplacement de fusibles.

DANS LA MESURE AUTORISÉE PAR LOI, LA PRÉSENTE GARANTIE PRÉCISE LES RECOURS EXCLUSIFS DONT VOUS DISPOSEZ À L'ÉGARD DU PRODUIT, QUE LA DEMANDE SOIT FONDÉE SUR UN CONTRAT OU DÉLIT (Y COMPRIS RESPONSABILITÉ ABSOLUE OU NÉGLIGENCE) OU AUTRE. LA PRÉSENTE GARANTIE REMPLACE TOUTES LES AUTRES GARANTIES, EXPRESSES OU IMPLICITES. TOUTES GARANTIES IMPLICITES AUX TERMES DE LA LOI, QUE SE SOIT LES GARANTIES DE QUALITÉ MARCHANDE OU D'APTITUDE À UN USAGE PARTICULIER, OU AUTRES, SONT LIMITÉES DANS LE TEMPS À LA DURÉE DE CETTE GARANTIE LIMITÉE EXPRESSE. LE FABRICANT NE SERA EN AUCUN CAS RESPONSABLE DE DOMMAGES CONSÉCUTIFS, SPÉCIAUX, ACCESSOIRES, INDIRECTS OU DE « PERTES COMMERCIALES » ET / OU DE DOMMAGES PUNITIFS, DE PERTES OU DE DÉPENSES, Y COMPRIS SANS S'Y LIMITER, ABSENCE DU TRAVAIL, FRAIS D'HÔTEL ET / OU FRAIS DE RESTAURANT, FRAIS DE REMANIEMENT EN EXCÉDENT DES DOMMAGES DIRECTS QUI SONT DÉFINITIVEMENT CAUSÉS EXCLUSIVEMENT PAR BOSCH, OU AUTREMENT. CERTAINS ÉTATS N'AUTORISENT PAS L'EXCLUSION OU LA LIMITATION DE DOMMAGES ACCESSOIRES OU CONSÉCUTIFS, ET CERTAINS ÉTATS N'AUTORISENT PAS LA LIMITATION DE LA DURÉE DES GARANTIES IMPLICITES. PAR CONSÉQUENT, LES EXCLUSIONS OU LES LIMITES SUSMENTIONNÉES POURRAIENT NE PAS VOUS CONCERNER. LA PRÉSENTE GARANTIE VOUS DONNE DES DROITS PRÉCIS RECONNUS PAR LA LOI ET VOUS POUVEZ ÉGALEMENT AVOIR D'AUTRES DROITS QUI VARIENT D'UN ÉTAT À L'AUTRE.

Aucune tentative de modifier, changer ou amender la présente garantie ne peut être valide sans le consentement écrit autorisé par un dirigeant de BSH.

Obtention du service de garantie

Pour obtenir le service de garantie de votre produit, vous devez contacter le service client Bosch au 1-800-944-2904 pour planifier une réparation.

Information sur le produit

Pour référence pratique, copiez l'information ci-après de la plaque signalétique. Conservez votre facture et/ou vos documents de livraison pour la validation de la garantie.

Numéro de modèle (E-Nr.)

Numéro de fabrication (FD)

Date de livraison



9001430365

021108



BOSCH

Invented for life

1901 Main Street, Suite 600 • Irvine, CA 92614 • 800-944-2904
www.bosch-home.com • © 2022 BSH Home Appliances