

6" Round Front Plate for Downdraft HDDFTRAN6



Features and Benefits

Design

- 6" Round Front Rough-In Plate

Performance

- Ability To Use With DHG6105NUC Inline or DHG6023RUC Remote Blowers

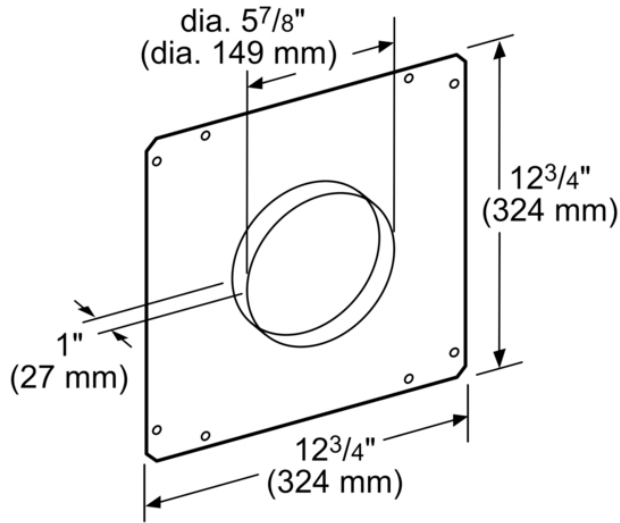
Notes: All height, width and depth dimensions are shown in inches. *Please refer to installation instructions prior to making cutout. BSH reserves the absolute and unrestricted right to change product materials and specifications, at any time, without notice. Consult the product's installation instructions for final dimensional data and other details. Applicable product warranty can be found in a accompanying product literature or you may contact your account manager for further details.

For more information on our entire line of products, go to boschappliances.com or call 1-800-944-2904.

Copyright ©2022 BSH Home Appliances Corporation. All rights reserved. Bosch is a registered trademark of Robert Bosch GmbH.

Litho Date: 05/2022

6" Round Front Plate for Downdraft HDDFTRAN6



measurements in inches (mm)

Features

Product Description	
Brand	Accessory Bosch
Product name / series name	
SKU	HDDFTRAN6
Internal article number	00000000000777714
EAN code	4242002915784
Product packaging dimensions (HxWxD)	
	3
	3
Quantity per packing unit	
Standard number of units per pallet	60
UPC code	825225921172
Product image	MCSA02477421_i3923_1851077_HDDFTRAN6_d

Technical Specification

Notes: All height, width and depth dimensions are shown in inches. *Please refer to installation instructions prior to making cutout. BSH reserves the absolute and unrestricted right to change product materials and specifications, at any time, without notice. Consult the product's installation instructions for final dimensional data and other details. Applicable product warranty can be found in a accompanying product literature or you may contact your account manager for further details.

For more information on our entire line of products, go to boschappliances.com or call 1-800-944-2904.
Copyright ©2022 BSH Home Appliances Corporation. All rights reserved. Bosch is a registered trademark of Robert Bosch GmbH.

Litho Date: 05/2022