

Built-In Oven

Installation Manual

500/800/Benchmark™ Series

HBL53, HBL54, HBL55, HBL56, HBL57,
HBL84, HBL86, HBL87, HBN54, HBN56,
HBN84, HBN86, HBLP45, HBLP65,
HBLP75, HSLP75



BOSCH

Invented for life



Table of Contents

Safety Definitions	1	Cabinet Dimension Requirements .	18
Preparation	3	Dimensions for 27" Single Oven Units ..	18
Before You Begin	3	Single Oven 27" Traditional Installation, Cabinet and Undercounter	18
Tools and Parts Needed	3	Single Oven 27" Flush Mount Installation ..	18
Parts Included	3	Dimensions for 27" Double Oven Units ..	18
General Information	3	Double Oven 27" Traditional Installation ...	18
Dimensions and Cabinet Requirements	4	Double Oven 27" Flush Mount Installation ..	19
Removing Packaging	4	Dimensions for 30" Single Oven Units ..	19
Preparing Oven	4	Single Oven 30" Traditional Installation, Cabinet and Undercounter	19
Installation	5	Single Oven 30" Flush Mount Installations ..	19
Determine the Installation Type	5	Dimensions for 30" Double Oven Units ..	20
Pre-Assembly of Combination Ovens Prior to Installation	5	Double Oven 30" Traditional Installation ...	20
Combination Oven Installation	5	Double Oven 30" Flush Mount Installion ...	20
Electrical Installation	8	Dimensions for 30" Combination Oven and Microwave or Steam Oven Units	21
Installing the Oven Unit into the Wall Cabinet	9	Combination Oven and Microwave or Steam Oven 30" Traditional Installation	21
For Best Installation	9		
Correct Inside Oven Lift Point	9		
Installing the Oven	11		
Bottom Hinge Doors Only - Remove Prior to Install	11		
Installing the Oven into the Cabinet (all ovens)	12		
Ovens with Bottom Hinge Doors Only	13		
Ovens with Side Hinge Doors Only	13		
Before Calling Service	16		

This Bosch Appliance is made by
BSH Home Appliances Corporation
1901 Main Street, Suite 600
Irvine, CA 92614

Questions?

1-800-944-2904

www.bosch-home.com/us

We look forward to hearing from you!

IMPORTANT SAFETY INSTRUCTIONS

READ AND SAVE THESE INSTRUCTIONS

Safety Definitions

WARNING

This indicates that death or serious injuries may occur as a result of non-observance of this warning.

CAUTION

This indicates that minor or moderate injuries may occur as a result of non-observance of this warning.

NOTICE: This indicates that damage to the appliance or property may occur as a result of non-compliance with this advisory.

Note: This alerts you to important information and/or tips.

WARNING:

If the information in this manual is not followed exactly, fire or shock may result causing property damage or personal injury.

WARNING:

Do not repair or replace any part of the appliance unless specifically recommended in the manuals. Improper installation, service or maintenance can cause injury or property damage. Refer to this manual for guidance. All servicing should be done by a qualified technician.

Appliance Handling Safety

Do not lift appliance by door handle. Remove the door for easier handling and installation. See instructions in Use and Care Manual.

Unit is heavy and requires at least two people or proper equipment to move.

Hidden surfaces may have sharp edges. Use caution when reaching behind or under appliance.

Unpacking the Oven

Unpack the oven, remove all tape and packaging material and examine the oven for any damage such as dents, broken door latches or cracks in the door. Notify dealer immediately if oven is damaged. Do not install if oven is damaged.

Safety Codes and Standards

This appliance complies with one or more of the following Standards:

- UL 858, Household Electric Ranges
- UL 923, Microwave Cooking Appliances
- UL 507, The Standard for the Safety of Electric Fans
- CAN/CSA-C22.2 No. 113-M1984 Fans and Ventilators

It is the responsibility of the owner and the installer to determine if additional requirements and/or standards apply to specific installations.

Electric Safety

Before you plug in an electrical cord, be sure all controls are in the OFF position.

If required by the National Electrical Code (or Canadian Electrical Code), this appliance must be installed on a separate branch circuit.

Installer - show the owner the location of the circuit breaker or fuse. Mark it for easy reference.

Important - Save these instructions for the local electrical inspector's use.

Before installing, turn power OFF at the service panel. Lock service panel to prevent power from being turned ON accidentally.

Refer to data plate for more information. See "Data Plate" under "Service" for data plate location.

Be sure your appliance is properly installed and grounded by a qualified technician. Installation, electrical connections and grounding must comply with all applicable codes.

Related Equipment Safety

Remove all tape and packaging before using the appliance. Destroy the packaging after unpacking the appliance. Never allow children to play with packaging material.

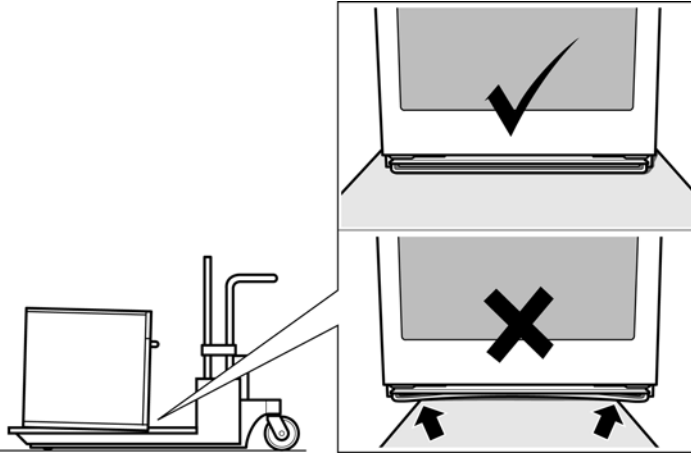
Never modify or alter the construction of the appliance. For example, do not remove leveling legs, panels, wire covers or anti-tip brackets/screws.

IMPORTANT SAFETY INSTRUCTIONS

READ AND SAVE THESE INSTRUCTIONS

Transport

To avoid damage to the oven vent, use the transport method shown in the picture below.



Support the bottom of the oven from side to side when moving it into the installation location. Leave the unit attached to the shipping pallet until it is in front of the cabinet opening, ready to lift into place.

Preparation

Before You Begin

Tools and Parts Needed

- Phillips head screwdriver
- Star-head screwdriver (T20)
- Measuring tape
- Drill with bit (1/8")
- Gloves

Parts Included

- Phillips head screws (6)

General Information

Power Requirements

The outlet must be properly grounded in accordance with all applicable codes.

For Best Installation

The oven can be difficult for two people to handle during installation. It is recommended to have three or more people available to assist with lifting the unit into place.

Removal of the bottom hinge oven door during installation (to provide the necessary handholds and to significantly reduce the unit weight) can be cumbersome unless the detailed door removal instructions are followed carefully.

Note: Do not attempt to remove the side hinge door (some models).

Please take time to read and follow the instructions provided for an improved installation experience.

Checklist

Use this checklist to verify that you have completed each step of the installation process. This can help you avoid common mistakes.

- ___ 1. Before installing the oven, be sure to verify the cabinet dimensions are correct for your unit and the required electrical connections are present.
- ___ 2. Refer to the installation manual for content regarding Safety, Cabinet Dimensions, Removing Packaging, Electrical Installation, Testing the Installation and Customer Service.
- ___ 3. Remove bottom hinged oven door(s) (not side swing doors) to reduce the unit weight and to provide access to handholds for lifting.
- ___ 4. Move the oven unit into place in front of the cabinet opening, leaving the bottom packaging on the unit to avoid damaging flooring.
- ___ 5. If installing a combination unit (oven and microwave or oven and steam oven) complete the assembly before installing the unit.
- ___ 6. Remove the torx head (T-20 size) screws holding the unit to the base of the carton (using Star-head screwdriver).
- ___ 7. Team lift the unit directly into the cabinet cutout taking care not to pinch fingers or scratch hands or arms. Make sure the electrical conduit reaches to the connection point properly.
- ___ 8. Slide the unit all the way into place, making sure to route the electrical conduit correctly.
- ___ 9. Fasten the oven unit to the cabinetry opening with the screws supplied (using Philips screwdriver).
- ___ 10. Reinstall the oven door(s) removed in step 3 above.
- ___ 11. Consult the complete installation instructions and follow the remainder of the procedures listed, including performing an operation test.
- ___ 12. All product literature and accessories (may be wrapped or boxed) with the oven.
- ___ 13. INSTALLER - Leave the literature pack and the accessories with the customer.

Dimensions and Cabinet Requirements

Cabinet requirements vary depending on the model to be installed. Please consult the “Cabinet Dimension Requirements” section at the back of this installation manual for the details pertaining to your particular model.

All models require:

- 1/4” (6.4 mm) space between the side of the oven and an adjacent wall or cabinet door when installed at the end of a cabinet run.
- Installation of 2x4’s extending front to back flush with the bottom and side of the opening to provide oven

support. This supporting base must be well secured to the floor/cabinet and must be level.

- The electrical conduit box must be located above the unit to facilitate connecting and servicing the unit.
- The cabinet base must be flat and capable of supporting the weight of your oven when in use (varies by model up to 429 lbs. (195 kg)). See the appropriate weight for your model in the “Cabinet Dimensions Requirements” section at the back of this installation manual.

Removing Packaging

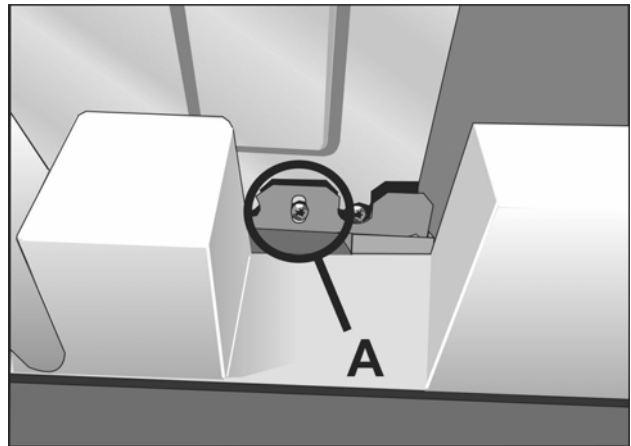
- Cut straps on the outside of the box.
- Remove the cardboard box by lifting it up and off the unit.
- Remove all top and side cardboard and Styrofoam braces.
- Place the oven (leaving it on the shipping base) in front of the cabinet where it is to be installed.
- Remove all accessories, racks, packing materials and literature from the oven cavity (for double ovens, remove such items, if present, from both cavities).
- Unscrew unit from packaging brackets as shown below in “Packaging Bracket Removal.”

Note: The screws near the base mounting bracket are all torx head (T-20 size). Only the one screw that goes through the slotted hole in the mounting bracket on the left and right sides of the unit needs to be removed in order to lift the unit from the mounting base (the screw circled and shown as “A” in the following illustration.)

NOTICE

Remove one screw only from each bracket. This will release your oven from the shipping base. Do not remove any additional screws from the oven.

Packaging Bracket Removal (left and right sides)



Note:

Different models use different packaging materials. Actual brackets may look differently. The bracket remains in the packaging base. The unit should stay on the packaging base until ready to be lifted into cabinet cutout.

Preparing Oven

Place oven in front of the cabinet where it is to be installed so that it is in line with the cabinet cutout.

Check to be sure all packing materials have been removed from the unit. Also remove the accessories, oven racks, literature pack and any shipping materials from inside the oven cavity (remove from both cavities for a double oven or combination oven).

Installation

Determine the Installation Type

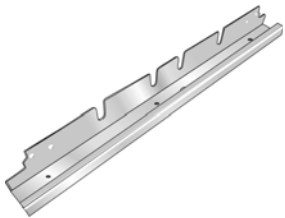



This installation manual provides instructions for the installation of single ovens, double ovens, and combination ovens (a single oven combined with microwave or steam oven).

Stand-alone single and double oven units require no pre-assembly. Unless you are installing a combination oven, skip over the combination oven pre-assembly instructions and **go directly to “Electrical Installation” which applies to all ovens.**

Pre-Assembly of Combination Ovens Prior to Installation

Combination ovens (with microwave or steam oven) require the units to be assembled together prior to installing the combination unit into the wall cabinet.

Note: The single oven can be installed with a Steam Oven or with a Microwave Oven. The installation procedure differs between these. The parts contained in the square tube parts box are common to both installations. Parts Provided

<p>Universal connector bracket (2) (in parts box on top of oven)</p>	
<p>Screws (16) (in red bag, inside parts box on top of oven)</p>	
<p>Oven Mounting Screws 8 screws are included to secure the oven trim to the cabinet. The screws are located in a small plastic bag affixed to the literature pack bag.</p>	
<p>Combo service slide assembly (2)* * This part is preassembled on the oven to accommodate attachment of a microwave.</p>	

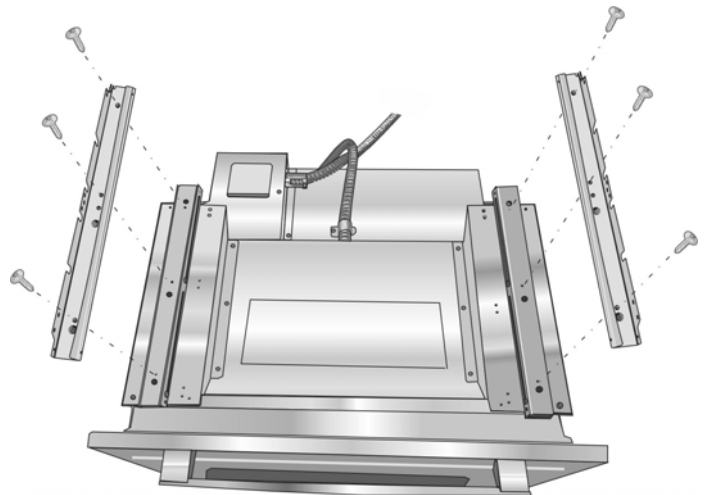
Combination Oven Installation

Installation with the Microwave Oven

Note: Do not place the oven into the wall cabinet until after mounting the microwave on it using the universal connector brackets.

1. The combo service slide assemblies are attached to the oven spaced to accept the microwave.
2. Install both universal connector brackets using six of the screws provided. Tighten screws securely, but do not overtighten.

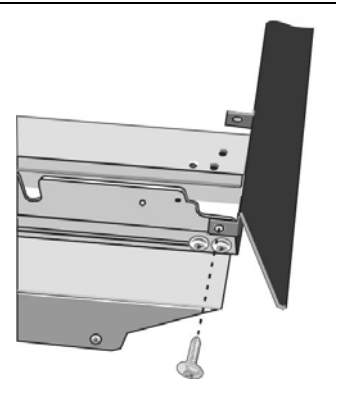
Note: The universal connector brackets are interchangeable for the left and right sides of the oven. Be sure the taller vertical edge of the bracket is positioned to the outside of the oven.



3. Install the decorative trim.

Position the decorative trim piece so the flanges with the holes in them face away from the oven door.

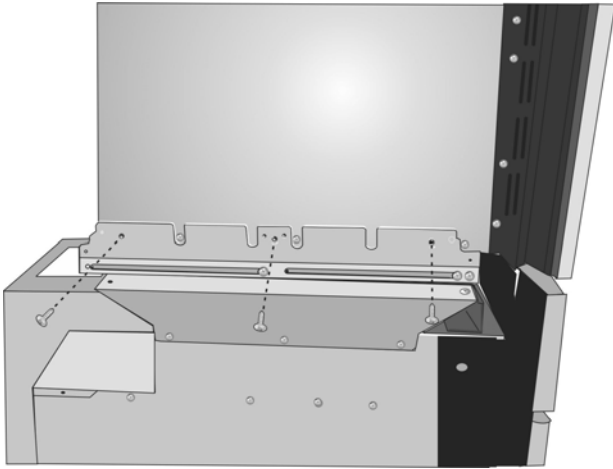
Align the outer flanges with the outside of the universal brackets. Fasten with 1 screw each into the end hole of the universal bracket. Tighten screws securely, but do not overtighten.



Combination Oven Pre-Assembly

- Place the microwave oven unit on top of the universal connector brackets and fasten in place using three screws per side. Tighten the screws securely, but do not overtighten.

Note: The existing screws in the microwave base help with alignment. When lowering the microwave into place on the universal connector bracket, allow these screw heads to slide into the slots as shown in the illustration below. The screw nearest the front of the microwave slides into the base of the slope at the front of the bracket.

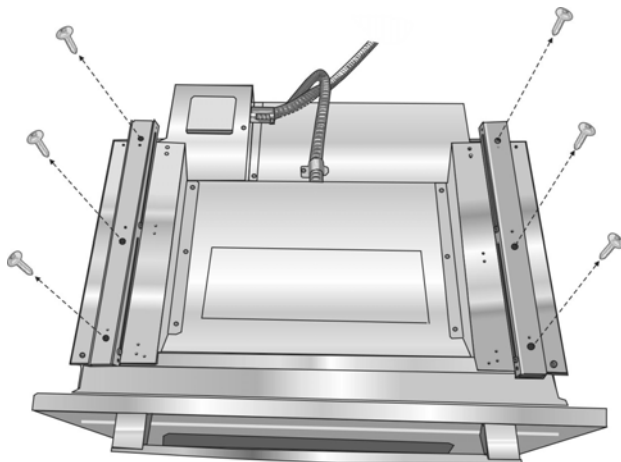


- Continue with the unit installation in the following sections on electrical connection and installing the oven unit into the wall cabinet.

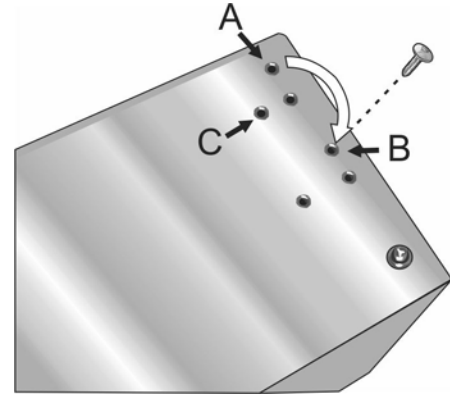
Installation with the Steam Oven

Note: Do not place the oven into the wall cabinet until after mounting the steam oven on it using the universal connector brackets.

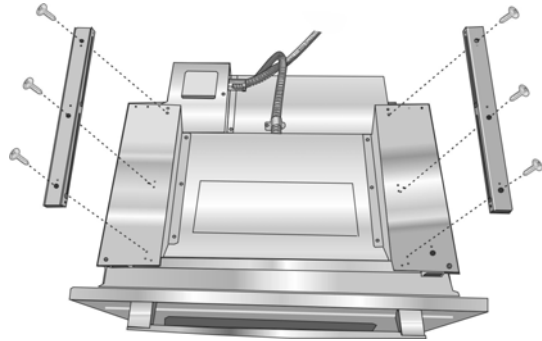
- Remove the six screws holding the combo service slide assemblies to the support bracket. Use a magnetic screwdriver bit to reach the screws through the large holes in the tops of the slides.



- The screw in position A (nearest the inside edge, near control panel) must be moved to allow the universal bracket to be positioned there. Remove the inside screw (A) from the left support bracket and reinsert it into the third hole (B) from the inside edge of the support bracket. Repeat for the right support bracket.



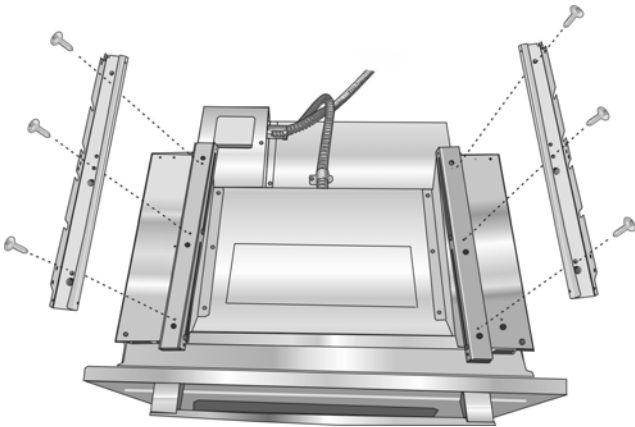
- Reattach the slide assemblies using the holes near the inside edge of the support bracket. Align the slide assembly parallel to the edge of the bracket and insert the first screw in hole (C). Insert all three screws for each slide assembly. Tighten the screws securely, but do not overtighten.



Note: When the correct holes are used, the front of the slide assembly will extend just past the edge of the horizontal support bar. The slide assembly will be about 1/8" (3 mm) from the inside edge of the support bracket.

- Install the two universal connector brackets to the slide assemblies using the screws provided. Tighten screws securely, but do not overtighten.

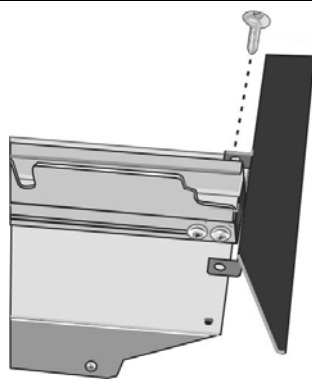
Note: The universal connector brackets are interchangeable for the left and right sides of the oven. Be sure the taller vertical edge of the bracket is positioned to the outside of the oven.



5. Install the decorative trim.

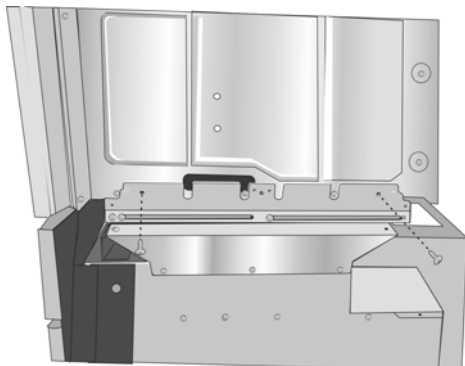
Position the decorative trim piece so the flanges with the holes in them face away from the oven door.

Align the inner flanges with the inside of the universal brackets. Fasten with one screw each into the end hole of the universal bracket. Tighten screws securely, but do not overtighten.



6. Place the steam oven unit on top of the universal connector brackets and fasten in place using two screws per side. Tighten the screws securely, but do not overtighten.

Note: The existing screws in the steam oven base help with alignment. When lowering the steam oven into place on the universal connector bracket, allow these screw heads to slide into the slots as shown in the illustration below. The screw nearest the front of the steam oven slides into the base of the slope at the front of the bracket.



7. Continue with the unit installation in the following sections on electrical connection and installing the oven unit into the wall cabinet.

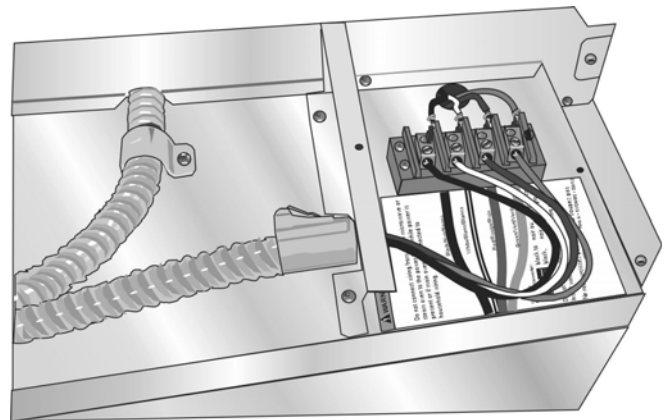
Connecting the Microwave Oven or Steam Oven Electrical Conduit to the Single Oven

Note: If installing the oven with a microwave or steam oven mounted as a combination unit, the microwave oven or steam oven power cable must be properly attached to the oven-mounted junction box. This must be done prior to supplying electric power to the oven unit.

⚠ WARNING

Disconnect the oven from the electric power supply before connecting the microwave oven or steam oven wiring. Failure to do so could result in electrical shock and injury or death.

1. Check to be sure there is no electric power supplied to the oven.
2. Remove the oven mounted junction box cover (located on the rear top of the oven).
3. Remove the cap from the conduit access hole in the side of the oven mounted junction box.



4. Guide the four wires from the conduit cable coming from the microwave or steam oven through the hole in the oven mounted junction box.
5. Snap the conduit connector into the hole by pressing it in until it clicks into place.
6. Follow the wiring diagram label and match and connect each wire by color to the wires attached to the wiring block inside the oven mounted junction box. Push the bare end of the wire until it is snug in the wiring block then tighten down the retaining screw on each wire. Tighten securely, but do not over tighten.
7. Replace the oven mounted junction box cover and tighten the two screws holding it in place. Tighten the screws securely, but do not over tighten.

8. Refer to the Electrical Connection section for further information to complete the electrical connection of the combination unit to the main power supply.

Electrical Installation

All model ovens on the front cover of this installation instruction manual are dual rated, designed to be connected to either 208 or 240V AC, 60 Hz, 4 wire, single-phase power supply.

Model	Circuit Required	
	208V, 60 Hz	240V, 60 Hz
HBN54, HBN84, HBL53, HBL54, HBL84, HBLP4	30 AMP	
HBL55	30 AMP	40 AMP
HBN56, HBL56, HBL57, HBN86, HBL86, HBL87, HBLP6, HBLP7, HSLP7	40 AMP	

The electrical supply should be a 4-wire single-phase AC. Install a suitable conduit box (not furnished). An appropriately-sized, UL-listed conduit connector must be used to correctly attach the conduit to the junction box.

Important: Local Codes may vary; installation, electrical connections and grounding must comply with all applicable local codes.

If local codes permit grounding through the electrical supply neutral, connect both the white neutral wire and the green ground wire from the oven to the white neutral electrical supply wire.

Important: If you have purchased a combination oven unit (one that includes a microwave or steam oven over the single oven), see the preceding section “Connecting the Microwave Oven or Steam Oven Electrical Conduit to the Single Oven” showing electrical connection of the combination unit components.

⚠ WARNING

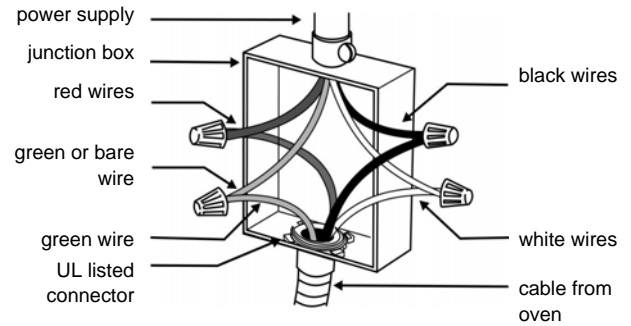
Complete the connection of the microwave or steam oven conduit to the single oven before proceeding with the unit electrical connection to the main power supply.

Electrical Connection to Main Power Supply

The four-wire connection is preferred, but where local codes permit, the three wire connection is also acceptable.

Four-wire Connection

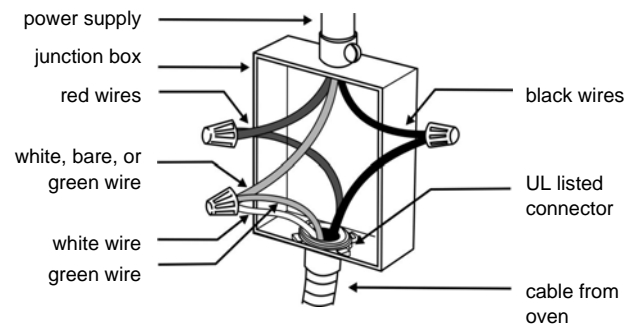
Ungrounded Neutral



- Connect the red oven wire to the red electrical supply wire (hot wire).
- Connect the black oven wire to the black electrical supply wire (hot wire).
- Connect the white neutral oven wire to the white neutral (not bare or green ground) electrical supply wire.
- Connect the green ground oven wire to the bare or green ground electrical supply wire.

Three-wire Connection

Grounded Neutral



- Connect red wire from oven to red wire in junction box.
- Connect black wire from oven to black wire in junction box.
- Connect both green ground wire and white wire from oven to white, green or bare neutral wire in junction box.

The conduit cable, where connected at the oven, swivels. Rotate conduit cable upward (or downward) and direct through hole prepared in cabinet to attach to J-Box.

To maintain serviceability, the flex conduit must not be shortened and should be routed to permit temporary removal of the oven.

Installing the Oven Unit into the Wall Cabinet

NOTICES

Before installing the oven, be sure to verify the cabinet dimensions and electrical connections. Check that the cabinet opening is level and plumb for correct installation.

Combination units (ovens with a microwave or steam oven) have additional installation instructions. Please see the preceding section "Pre-Assembly of Combination Ovens Prior to Installation".

For Best Installation

The double and combination ovens can be difficult for two people to handle during installation. It is recommended to have three or more people available to assist with lifting the unit into place. It is also recommended to remove the oven door (bottom hinge models only) to help reduce the unit weight and provide easier access to the handholds located inside the oven.

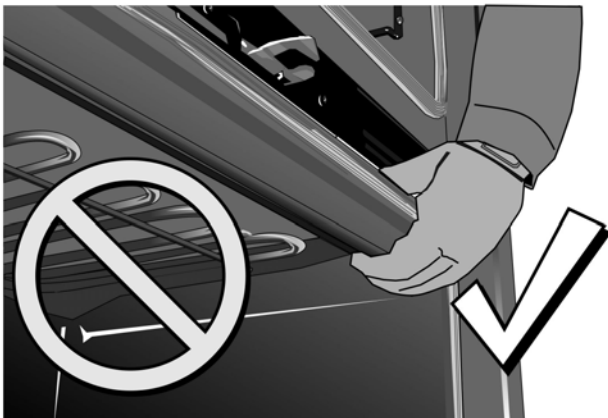
Caution

: It is recommended to wear gloves and long sleeves to protect hands and forearms from abrasion and potential scratches during the lifting process. It is also recommended to take off watches and jewelry and to wear work shoes during installation for foot protection.

Correct Inside Oven Lift Point

Notice: DO NOT attempt to lift the unit by holding the oven upper element.

There is a ridge across the top front of the oven cavity. Lift by grasping this ridge with one hand while placing the other hand on the back of the unit (for helpers lifting from the sides of the unit). If a third helper is lifting from the front, both hands should lift by holding this ridge area.



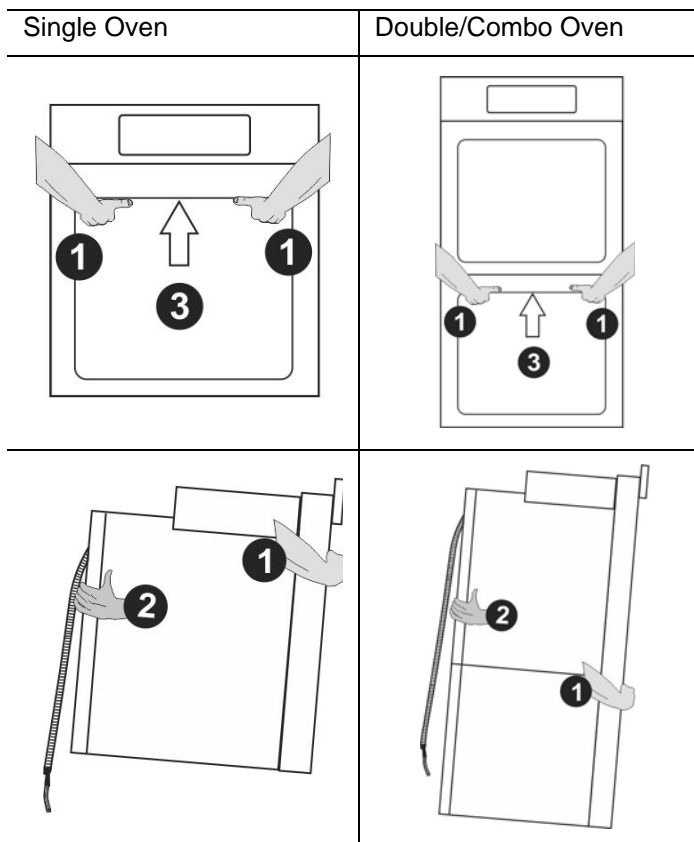
Lifting Recommendations Vary Dependent Upon Oven Door Type

Bottom Hinge Door

Lift Locations (with door(s) removed)

Lift points (1) on the front of the unit are for lifting from the sides of the unit. Lift point (3) on the front of the unit is for a third person to help lift the unit.

Lift point (2) on the back of the unit shows the location of the opposite hand for the helpers lifting from the sides of the unit. Adjust the location as needed to facilitate the lift. Wear gloves, a long sleeved shirt, and avoid sharp edges to reduce the risk of cuts or abrasions to the arms or hands.

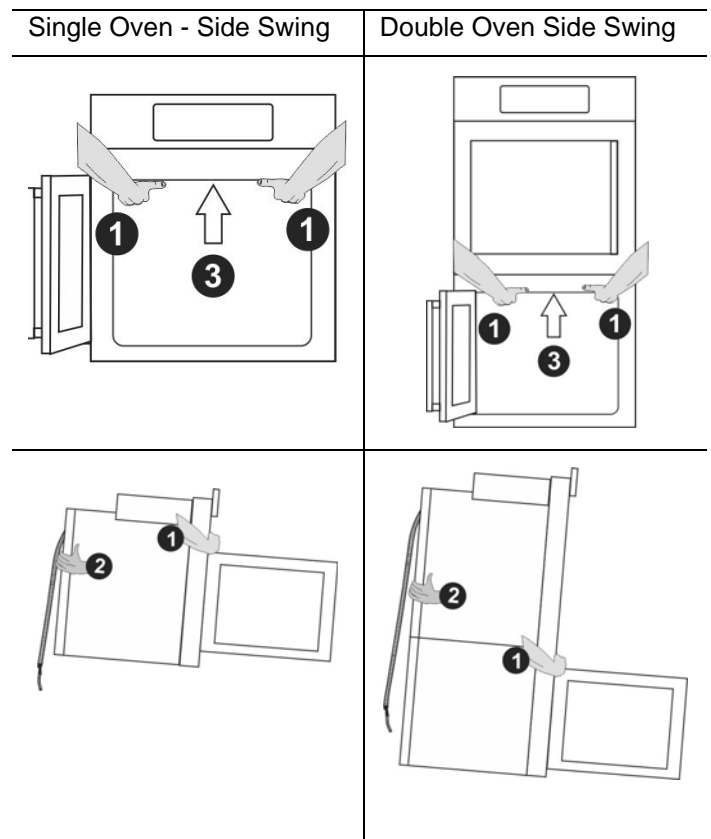


Side Hinge Door

Lift Locations (with lower door opened to 90°-110°)

Lift points (1) on the front of the unit are for lifting from the sides of the unit. Lift point (3) on the front of the unit is for a third person to help lift the unit.

Lift point (2) on the back of the unit shows the location of the opposite hand for the helpers lifting from the sides of the unit. Adjust the location as needed to facilitate the lift. Wear gloves, a long sleeved shirt, and avoid sharp edges to reduce the risk of cuts or abrasions to the arms or hands.



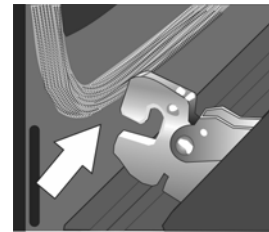
Installing the Oven

⚠ WARNING

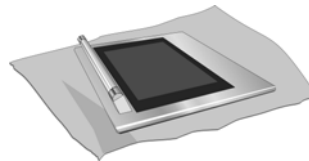
- Make sure oven is cool and power to the oven has been turned off before removing the door. Failure to do so could result in burns.
- The oven door is heavy and fragile. Use both hands to remove the oven door. The door front is glass. Handle carefully to avoid breaking.
- Grasp only the sides of the oven door. Do not grasp the handle as it may swing in your hand and cause damage or injury.
- Failure to grasp the oven door firmly and properly could result in personal injury or product damage.
- To avoid injury from hinge bracket snapping closed, be sure that both levers are securely in place before removing the door. Also, do not force door open or closed - the hinge could be damaged and injury could result.
- Do not lay removed door on sharp or pointed objects as this could break the glass. Lay on a flat, smooth surface, positioned so that the door cannot fall over.



4. Holding the door firmly on both sides and using both hands, close the door gently until it stops against the latch levers, about 30° from the closed position.



5. Carefully lift the door up and out of the hinge slots. Hold firmly; the door is heavy.

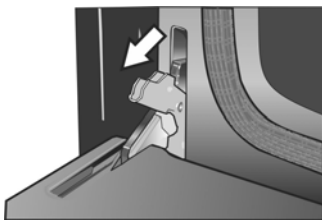


6. Place the door in a convenient and stable location until you are ready to reinstall it. Lay the door on a towel or section of protective foam padding to avoid damage to the door or the floor.

Bottom Hinge Doors Only - Remove Prior to Install

Important: Do not attempt to remove the side hinge door (side hinge doors are found only on select models).

Ovens with **bottom hinge doors** permit the oven door(s) to be removed prior to lifting the unit into place. Each door weighs approximately 40 pounds (18.1 kg). Removing and replacing the door are routinely simple procedures. Removing the door lightens the unit significantly and provides easier access to the recommended handhold inside the oven cavity. See instructions below.



1. Be sure to read all warnings and cautions in the installation manual regarding the door removal before attempting to remove the door.
2. Open the door completely.
3. Flip latch levers on hinges toward you.

Placing the Oven Into the Cabinet Opening - All Ovens

⚠ CAUTION

To avoid damage to the door do not lift, pull or push the unit during installation by using the oven door handle as a gripping point.

It is recommended to wear gloves and long sleeves to protect hands and forearms from abrasion and potential scratches during the lifting process. It is also recommended to take off watches and jewelry and to wear work shoes during installation for foot protection.

When lifting the unit into place avoid grasping the upper element to avoid damaging it. See the illustration following for the correct lifting point for a bottom hinge double oven with the lower door removed. This illustration shows a detailed view of the oven cavity. Note the location of the ridge inside the top of the cavity. This is the area to grip from the front when lifting the oven.

For your particular oven type, see the preceding section **“Lifting Recommendations Vary Dependent Upon Oven Door Type”** for lift points.


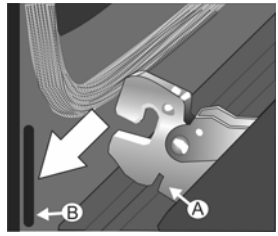
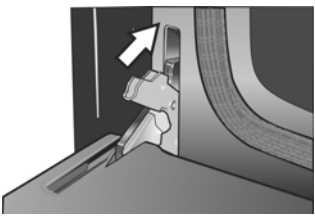


Installing the Oven into the Cabinet (all ovens)

1. The unit and its bottom packaging (wood and styrofoam base) should be positioned close to and in front of the cabinet opening prior to beginning to lift the unit into place.
2. Lift or slide unit into the cabinet cutout without allowing the unit base to contact the flooring.
3. Check that the conduit cable does not fall behind the unit during installation. It may help to run the conduit into the area it will be connected to (such as an overhead or adjacent cabinet) and tape the end down so it doesn't fall out while the unit is being slid into place.
4. Guide the unit straight back into the cabinet cutout.
Note: Be careful not to crimp the flexible conduit between the oven and the cabinet back wall. If necessary, guide the flexible conduit into the wall or cabinet access hole so it doesn't prevent the unit from being pushed all the way into the cabinet opening. The oven should be straight and level, not crooked.
5. Push the unit straight in until the oven trim is flush with the front of the cabinet trim.
6. Install supplied screws through tap holes in trim. (2 screws for single ovens, 4 screws for double/combo ovens).

Ovens with Bottom Hinge Doors Only

Re-Install the oven doors:

	<ol style="list-style-type: none"> 1. Hold the door firmly in both hands. 2. Hold the door at a 30° angle from the closed position and insert hinges into the slots. You may need to rock the door forward and backward slightly to seat the hinge feet.
	<ol style="list-style-type: none"> 3. The door may need to be removed and re-inserted until the hinges sit correctly in the slots.
	<ol style="list-style-type: none"> 4. Open door all the way to expose hinges, latch levers, and slots. 5. Push latch levers forward and down until seated on the bracket. 6. Close and open door slowly to be sure it is correctly and securely in place. Door must be straight, not crooked.

Ovens with Side Hinge Doors Only

Side Hinge Door Alignment

Note: Only align the side hinge oven doors after the unit is fully installed into the cabinet.

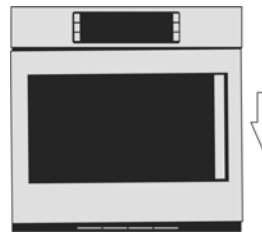


Fig. A

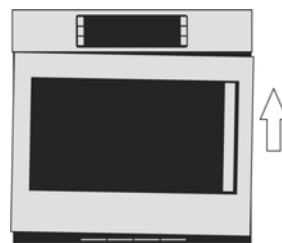
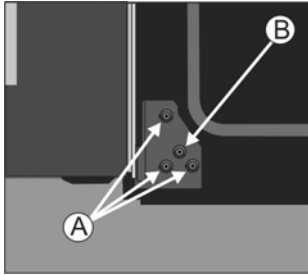


Fig. B

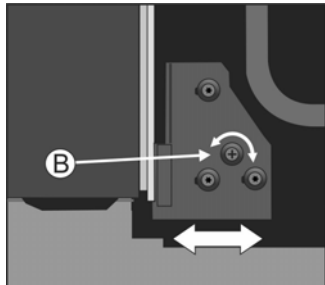
1. Check to see if the side hinge oven doors are properly aligned. The door should pull itself closed smoothly when the striker engages the roller as the door is closed.
2. Too high (Fig. A - door needs to move down on latch side) you will feel interference between the striker and the catch receiver.
3. Too low (Fig. B - door needs to move up on latch side) you will feel a bump when the striker comes into contact with the re-alignment roller.
Hint: The gap between the top of the closed oven door and the control panel (or upper door for lower cavities in double ovens) should be fairly uniform from side to side.

Side Hinge Door Alignment Procedure



1. Open the door to approximately 135°.
2. Using a Torx T-20 star-head screwdriver, loosen the 3 screws (A) on the lower hinge by 1 to 2 full turns.

Note: All adjustment is made with the lower hinge only. The upper hinge is fixed in place and cannot be adjusted.



3. Using a #2 philips head screwdriver, turn the cam (B) right or left to adjust the hinge position in the desired direction.

Note: 1mm of hinge movement (left or right) will move the door up or down approximately 1.5mm at the door catch.

4. Re-tighten the screws before closing the door to test. Be careful not to overtighten.
5. Check for proper door alignment. Repeat adjustment procedure as necessary.

Side Hinge Door Opening/Closing Troubleshooting Guide

Primary observation	Additional observations	Cause:	Solution
The door does not pull itself closed and feels difficult to open as well.	The side edge of the inner door (on the handle side of the door) appears to make contact with the unit's side trim.	The installation is causing the side trim to be pushed too far inwards.	<p>Check the installation of the unit in the cabinetry. Try to move the unit in the cabinet towards the side of the hinges as much as possible to allow the interfering side trim to open up.</p> <p>May also try to adjust the location of the side trim screws to hold the trim away from the door.</p> <p>Check again the cabinet opening to ensure that it is not too narrow. Widen the cutout as necessary.</p>
The door does not hold itself closed.	Very little force is required to pull open the door.	The door catch mechanism internal to the door has inadvertently tripped while the door was open.	To reset the mechanism, close the door completely and while closed, push in firmly on the door handle until the mechanism resets. A firm push may be required. Open to test.
<p>The door does not close onto the striker smoothly.</p> <p>Once closed, the door opens without incident.</p>	<p>When closing the door onto the striker, the door lifts itself upwards.</p> <p>You will feel a slight bump as the roller (internal to the door) hits the tip of the striker and lifts the door.</p> <p>If the door needs to lift substantially, the door will no longer pull itself closed, and assistance is required to push it closed fully.</p>	<p>The door alignment is too low to engage properly with the striker.</p> <p>See figure B in the side hinge door alignment instructions.</p>	<p>Refer to the side hinge door alignment procedure to raise the handle side of the door until the door closes smoothly.</p> <p>It should open smoothly and pull itself closed smoothly without hearing or feeling an interference.</p>
<p>The door does not close onto the striker smoothly.</p> <p>Once closed, the door may also appear to stick while pulling the door open</p>	<p>While trying to open the door from a closed position, you feel an interference that catches the door and may prevent it from opening.</p> <p>You feel a similar interference when closing.</p>	<p>The door alignment is too high to engage properly with the striker.</p> <p>See figure A in the side hinge door alignment instructions.</p>	<p>To open a sticking door, apply pressure downward on the handle while pulling.</p> <p>Refer to the side hinge door alignment procedure to lower the handle side of the door until the door closes smoothly.</p> <p>It should open smoothly and pull itself closed smoothly without hearing or feeling an interference.</p>

Testing Operation

1. Turn on power at the breaker.
2. Test the oven mode.
Select the **BAKE** mode. See the Use and Care Manual for detailed operation instructions.
3. Verify that the oven light comes on and the oven begins to preheat.
4. Test the door lock.
Set the **SELF CLEAN** mode. Confirm that the door locks when the lock icon appears in the display.
5. If installing a double oven, test the second oven as well.
6. If any of the tests do not result as explained above, contact Bosch service for assistance. Otherwise, the installation is complete at this time.

Before Calling Service

See the Use and Care Manual for troubleshooting information. Refer to the Statement of Limited Warranty in the Use and Care Manual.

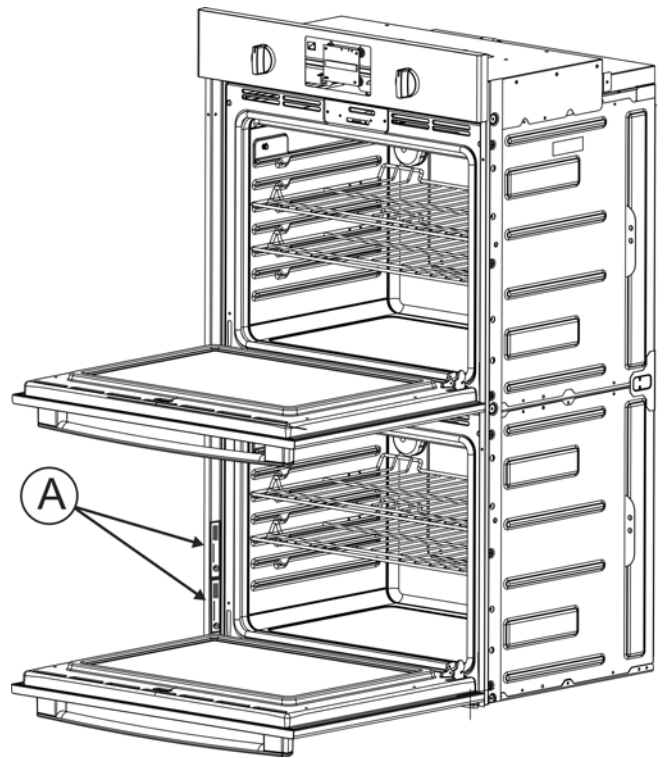
To reach a service representative, see the contact information at the front of the Use and Care Manual. Please be prepared with the information printed on your product data plate when calling.

Data Plate

The data plate shows the model and serial number. Refer to the data plate on the appliance when requesting service. The data plate location varies based on the oven model and door hinge type.

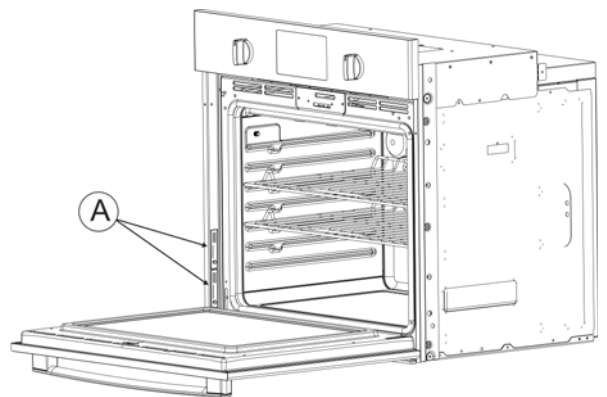
Double Ovens, Bottom Hinge

Note: The rating plates (A) are at the left hand side of the door trim of the lower oven cavity.



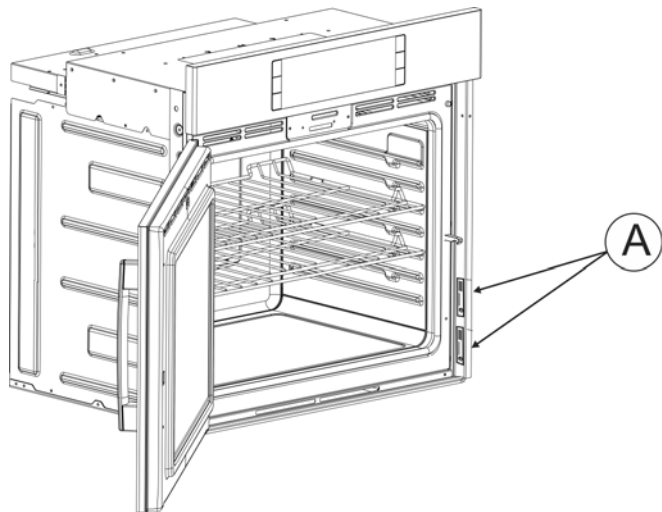
Single Ovens, Bottom Hinge

Note: The rating plates (A) are at the left hand side of the door trim.



Single Ovens, Side Hinge

Note: The rating plates (A) are opposite the door hinge. For left hinge doors, the rating plates will be on the door trim on the right hand side of the door. For right hinge doors, the rating plates will be on the door trim on the left hand side of the door.



Double Ovens, Side Hinge

Note: The rating plates are opposite the door hinge in the lower oven cavity.

Cabinet Dimension Requirements

It is good practice, when an oven is installed at the end of a cabinet run, adjacent to a perpendicular wall, or cabinet door, to allow at least 1/4" (6 mm) space between the side of the oven and the wall/door.

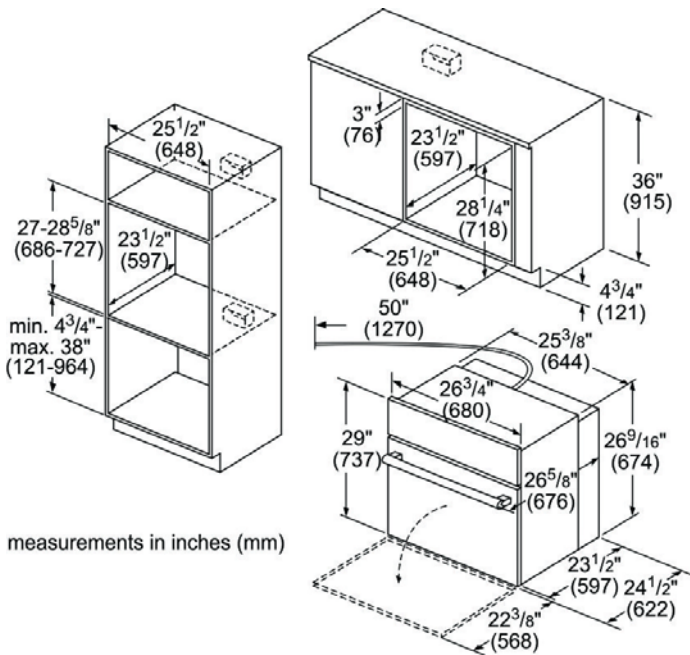
For oven support, install 2x4's extending front to back flush with the bottom and the side of the opening. The supporting base must be well secured to the floor/cabinet and level.

Junction boxes can be located anywhere within reach of the oven's power cable.

Dimensions for 27" Single Oven Units

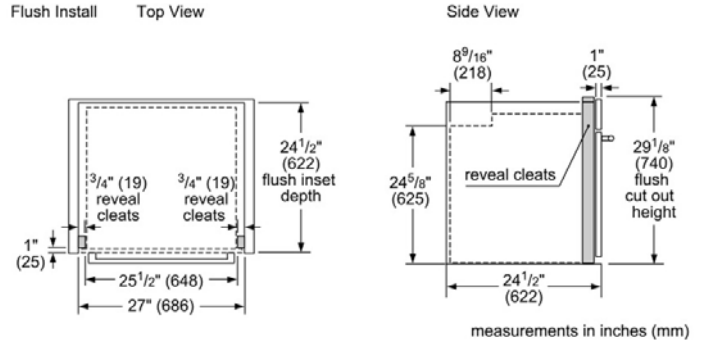
The cabinet opening must be plumb and the base must be flat and level and capable of supporting a weight of at least 193 lbs (87 kg).

Single Oven 27" Traditional Installation, Cabinet and Undercounter



Single Oven 27" Flush Mount Installation

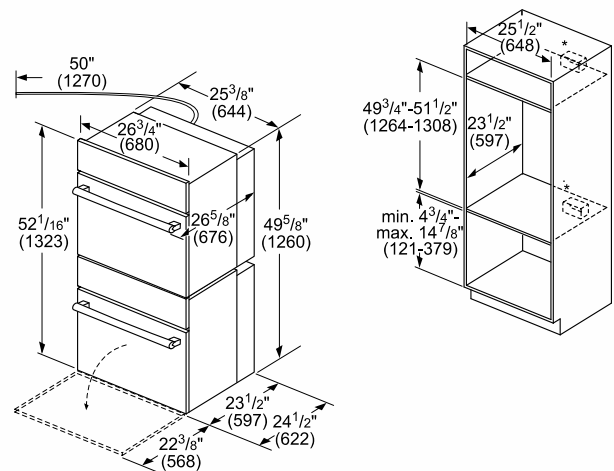
Flush installation (wall mount and undercounter) requires two side cleats to be attached inside the cabinet or counter frame, recessed from the front.



Dimensions for 27" Double Oven Units

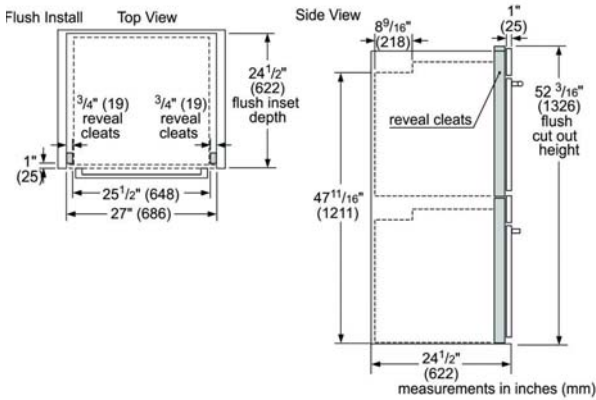
The cabinet opening must be plumb and the base must be flat and level and capable of supporting a weight of at least 361 lbs (164 kg).

Double Oven 27" Traditional Installation



Double Oven 27" Flush Mount Installation

Flush installation requires two side cleats to be attached inside the cabinet frame, recessed from the front.

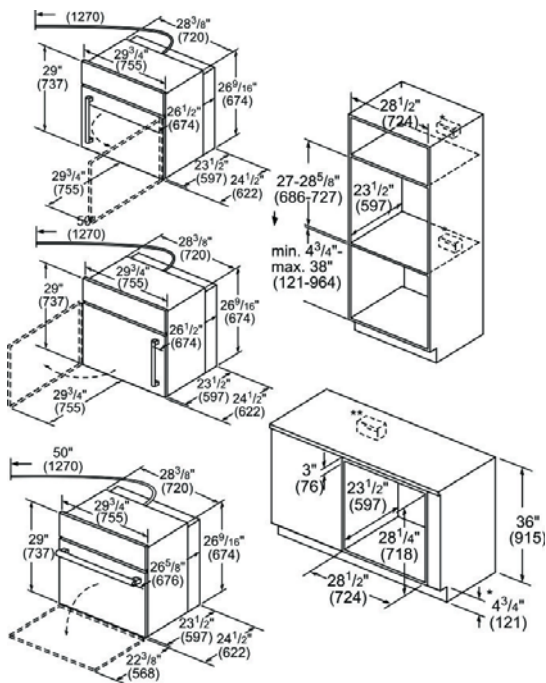


Dimensions for 30" Single Oven Units

The cabinet opening must be plumb and the base must be flat and level and capable of supporting a weight of at least 212 lbs (96 kg).

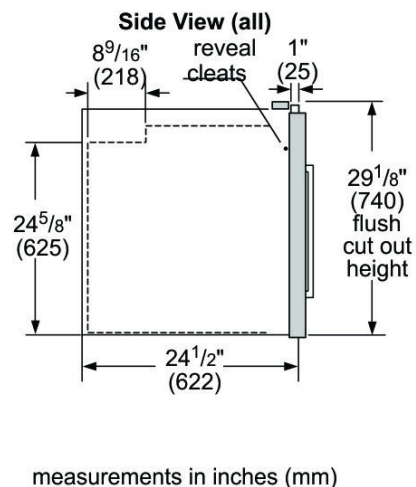
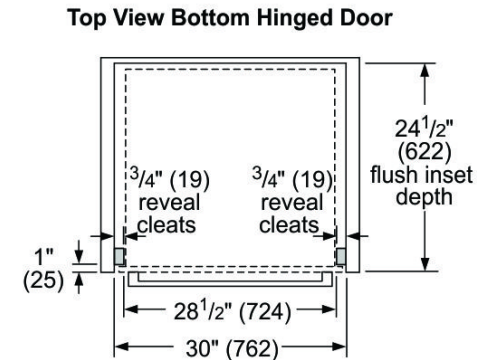
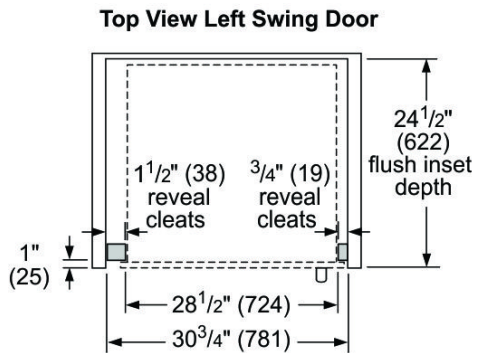
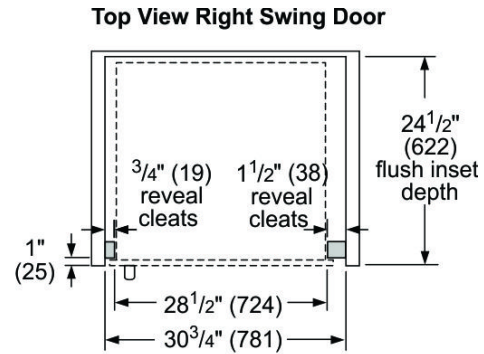
When installing a side hinge oven, leave at least 10" (254 mm) clearance to allow the door to open.

Single Oven 30" Traditional Installation, Cabinet and Undercounter



Single Oven 30" Flush Mount Installations

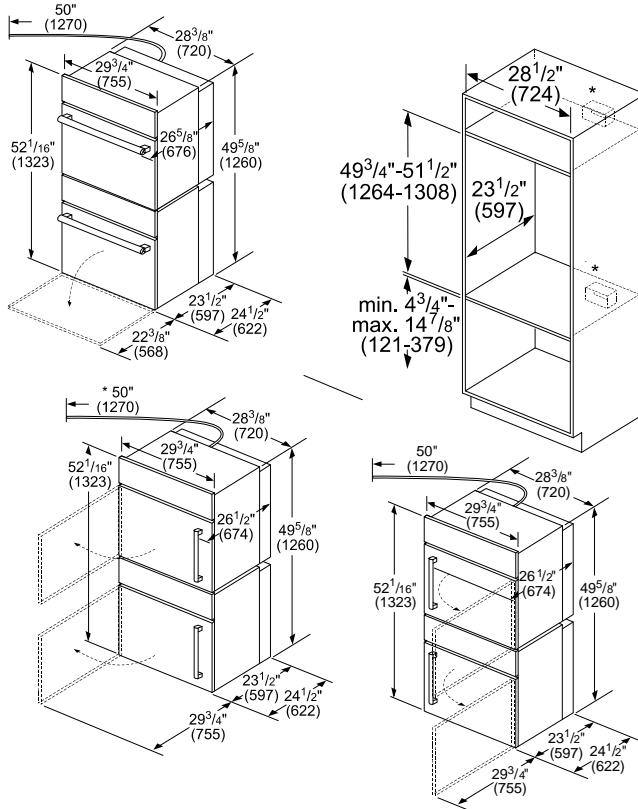
Flush installation requires two side cleats to be attached inside the cabinet frame, recessed from the front.



Dimensions for 30" Double Oven Units

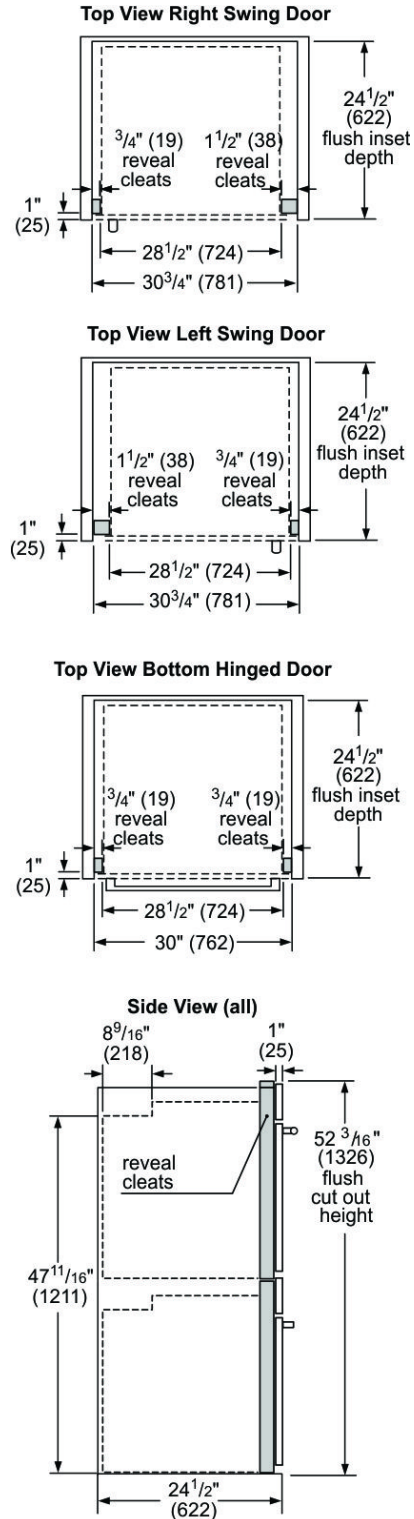
The cabinet opening must be plumb and the base must be flat and level and capable of supporting a weight of at least 390 lbs (177 kg).

Double Oven 30" Traditional Installation



Double Oven 30" Flush Mount Installation

Double Oven 30" Flush installation requires two side cleats to be attached inside the cabinet frame, recessed from the front.

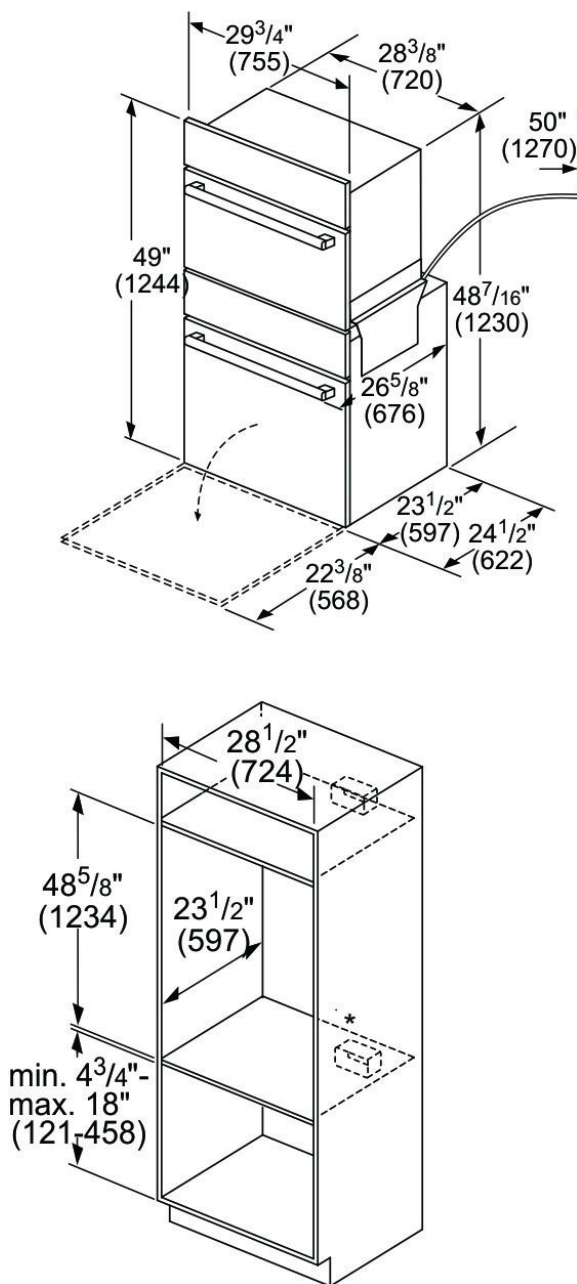


measurements in inches (mm)

Dimensions for 30" Combination Oven and Microwave or Steam Oven Units

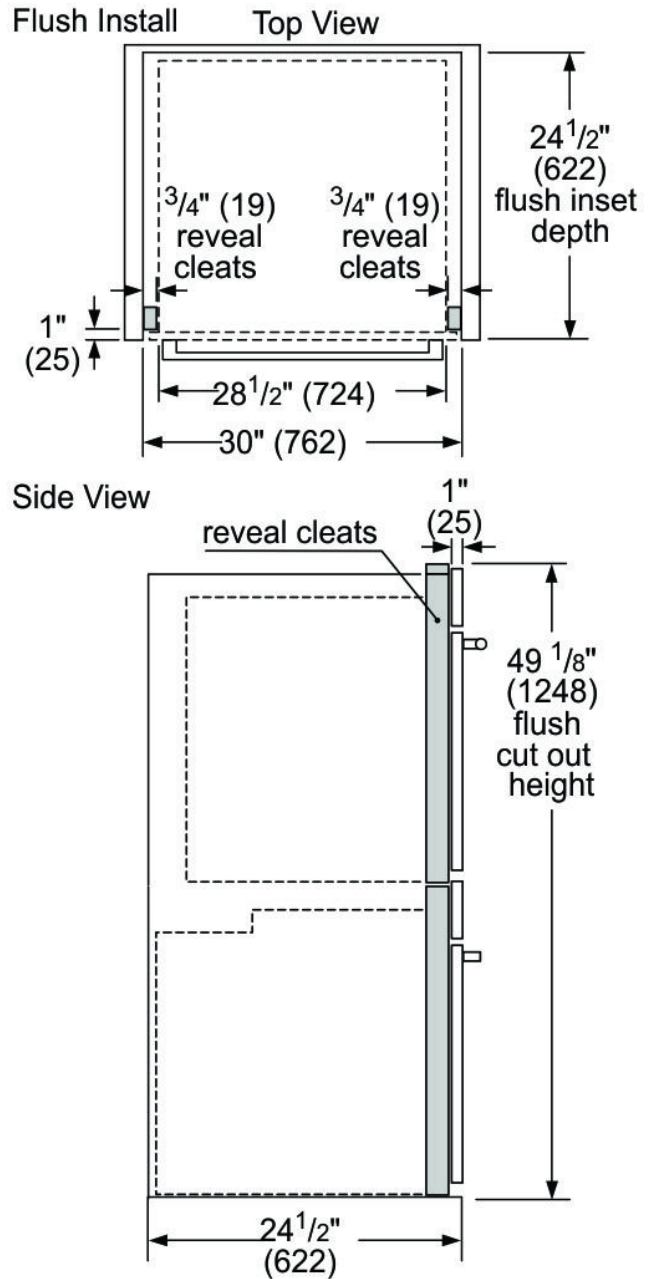
The cabinet opening must be plumb and the base must be flat and level and capable of supporting a weight of at least 310 lbs (141 kg) with a microwave oven or 429 lbs (195 kg) with a steam oven.

Combination Oven and Microwave or Steam Oven 30" Traditional Installation



Combination Oven and Microwave or Steam Oven 30" Flush Mount Installation

Flush installation requires two side cleats to be attached inside the cabinet frame, recessed from the front.



measurements in inches (mm)

Table des matières

Définitions concernant la sécurité	1	des armoires	19
Préparation	3	Dimensions pour les fours simples de 27 po (69 cm)	19
Avant de commencer	3	Installation traditionnelle d'un four simple de 27 po (69 cm), En armoire et Sous comptoir	19
Outils et pièces nécessaires	3	Installation encastrée d'un four simple de 27 po (69 cm)	19
Pièces comprises	3	Dimensions pour les fours doubles de 27 po (69 cm)	19
Informations générales	3	Installation traditionnelle d'un four double de 27 po (69 cm)	19
Dimensions et exigences concernant les armoires	4	Installation encastrée d'un four double de 27 po (69 cm)	20
Retrait de l'emballage	4	Dimensions pour les fours simples de 30 po (76 cm)	20
Préparation du four	4	Installation traditionnelle d'un four simple de 30 po (76 cm), En armoire et Sous comptoir	20
Installation	5	Installations encastrées d'un four simple de 30 po (76 cm)	20
Déterminer le type d'installation	5	Dimensions pour les fours doubles de 30 po (76 cm)	21
Pre-montage des fours combinés avant l'installation	5	Installation traditionnelle d'un four double de 30 po (76 cm)	21
Installation du four combiné	5	Installation encastrée d'un four double de 30 po (76 cm)	21
Installation électrique	8	Dimensions pour le four combiné de 30 po (76 cm) avec four à micro-ondes ou four à vapeur	22
Installation du four dans l'armoire murale 9		Installation traditionnelle d'un four combiné de 30 po (76 cm) avec four à micro-ondes ou four à vapeur	22
Pour de meilleurs résultats d'installation	9		
Point de levage correct à l'intérieur du four	10		
Installation du four	12		
Portes à charnières inférieures uniquement - Retirer avant l'installation	12		
Installation du four dans l'armoire (tous les fours)	13		
Fours équipés de portes à charnières inférieures uniquement	14		
Fours équipés de portes à charnières latérales uniquement	14		
Avant d'appeler le service de dépannage	17		
Exigences concernant les dimensions			

Cet appareil électroménager Bosch est fabriqué par
BSH Home Appliances, Corporation
1901 Main Street, Suite 600
Irvine, CA 92614

Questions?

1-800-944-2904

www.bosch-home.com/us

Il nous fait toujours plaisir de recevoir vos commentaires!

CONSIGNES DE SÉCURITÉ IMPORTANTES

LIRE ET CONSERVER CES CONSIGNES

Définitions concernant la sécurité

AVERTISSEMENT

Ceci indique que le non-respect de cet avertissement peut entraîner des blessures graves, voire la mort.

ATTENTION

Ceci indique que le non-respect de cet avertissement peut entraîner des blessures légères ou modérées.

AVIS : Ceci indique que la non-conformité à cet avis de sécurité peut endommager l'appareil ou entraîner des dégâts matériels.

Remarque : Ceci vous avertit que d'importantes informations et/ou conseils sont fournis.

AVERTISSEMENT :

Si les informations de ce manuel ne sont pas suivies à la lettre, un incendie ou un choc électrique peuvent se produire entraînant des dommages matériels ou des lésions corporelles.

AVERTISSEMENT :

Ne pas réparer ni remplacer les pièces de l'appareil à moins que cela ne soit expressément recommandé dans les manuels. Toute installation, réparation ou maintenance inadéquate peut entraîner des blessures ou des dommages matériels. Consulter ce manuel pour obtenir des conseils sur la façon de procéder. Tous les travaux d'entretien doivent être confiés à un technicien qualifié.

Sécurité de manipulation de l'appareil

Ne pas soulever l'appareil par la poignée de la porte. Retirer la porte pour faciliter la manipulation et l'installation. Voir les consignes du Guide d'utilisation et d'entretien.

Cet appareil est lourd et il faut au moins deux personnes ou l'équipement approprié pour le déplacer.

Les surfaces cachées peuvent comporter des arêtes vives. Faites attention en tendant le bras derrière l'appareil ou en dessous.

Déballage du four

Déballer le four, retirer le ruban adhésif et les matériaux d'emballage et examiner le four pour constater d'éventuels dégâts tels que bosses, loquets de porte cassés ou fissures dans la porte. Si le four est endommagé, prévenir immédiatement le revendeur. Ne pas installer le four s'il est endommagé.

Codes et normes de sécurité

Cet appareil est conforme à une ou plusieurs des normes suivantes :

- UL 858, Cuisinières électriques domestiques
- UL 923, Appareils de cuisson à micro-ondes
- UL 507, Norme de sécurité pour les ventilateurs électriques
- CAN/CSA-C22.2 N°. 113-M1984, Ventilateurs et aérateurs

Il est de la responsabilité du propriétaire et de l'installateur de déterminer si des exigences et/ou des normes supplémentaires s'appliquent à des installations particulières.

Sécurité électrique

Avant de brancher le cordon électrique, vérifier que toutes les commandes sont dans la position « OFF » (Arrêt).

S'il y a lieu, conformément au Code national de l'électricité (ou au Code canadien de l'électricité), cet appareil doit être installé sur un circuit de dérivation séparé.

Installateur - Indiquer au propriétaire l'emplacement du disjoncteur ou du fusible. Identifier sa position pour pouvoir le retrouver facilement.

Important - Conserver ces instructions pour l'usage de l'inspecteur local en électricité.

Avant l'installation, couper le courant au panneau de service. Verrouiller le panneau de service pour éviter que le courant ne soit accidentellement rétabli.

Pour des informations supplémentaires, consulter la plaque signalétique. Voir « Plaque signalétique » sous « Dépannage » pour connaître l'emplacement de la plaque signalétique.

S'assurer que l'appareil est adéquatement installé et mis à la terre par un technicien qualifié. L'installation, les

CONSIGNES DE SÉCURITÉ IMPORTANTES

LIRE ET CONSERVER CES CONSIGNES

connexions électriques et la mise à la terre doivent être conformes à tous les codes applicables.

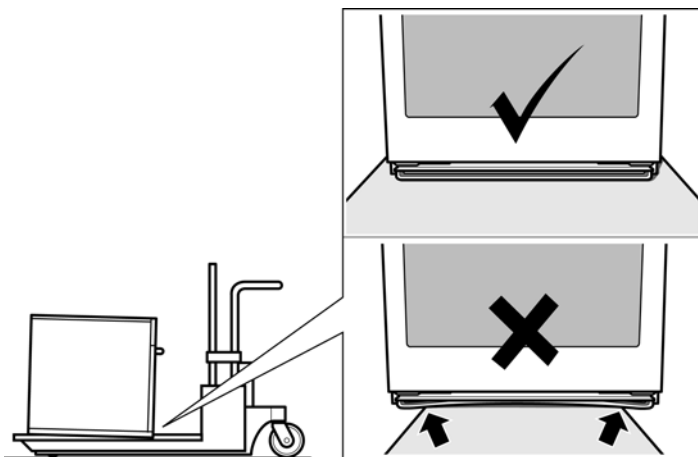
Sécurité complémentaire de l'équipement

Retirer le ruban adhésif et l'emballage avant d'utiliser l'appareil. Détruire l'emballage après avoir déballé l'appareil. Ne jamais laisser les enfants jouer avec des matériaux de conditionnement.

Ne jamais modifier ni altérer la configuration de l'appareil. Par exemple, ne pas enlever les pieds de mise à niveau, les panneaux, les couvre-fils ou les supports/vis antibasculement.

Transport

Pour éviter d'endommager l'évent du four, utiliser la méthode de transport illustrée ci-dessous.



Soutenir la partie inférieure du four d'un côté à l'autre en le déplaçant à l'endroit où il doit être installé. Laisser l'appareil fixé sur la palette de transport jusqu'à ce qu'il se trouve devant l'ouverture de l'armoire, prêt à être soulevé pour être mis en place.

Préparation

Avant de commencer

Outils et pièces nécessaires

- Tournevis cruciforme Phillips
- Tournevis à tête en étoile (T20)
- Mètre à ruban
- Perceuse avec mèche (1/8 po)
- Gants

Pièces comprises

- Vis cruciformes (6)

Informations générales

Alimentation

La prise doit être correctement mise à la terre conformément à tous les codes applicables.

Pour de meilleurs résultats d'installation

Le four peut être difficile à manipuler par deux personnes pendant l'installation. Il est recommandé de faire intervenir trois personnes ou plus pour aider à soulever l'appareil afin de le mettre en place.

Le démontage de la porte du four à charnières inférieures au cours de l'installation (pour fournir les prises nécessaires et réduire le poids de l'appareil de manière significative) peut s'avérer pénible à moins de suivre à la lettre les instructions de démontage de la porte détaillées.

Remarque : Ne pas tenter de démonter la porte à charnières latérales (sur certains modèles).

Veuillez prendre le temps de lire et de suivre les instructions fournies pour une meilleure expérience d'installation.

Liste de vérification

Utilisez cette liste de pointage pour vérifier que vous avez effectué chaque étape du processus d'installation. Ceci peut vous aider à éviter de commettre des erreurs communes.

- ___ 1. Avant d'installer le four, prendre bien soin de vérifier que les dimensions de l'armoire sont correctes pour votre appareil et que les raccordements électriques requis sont présents.
- ___ 2. Consulter le Guide d'installation pour prendre connaissance des informations qu'il contient sur la sécurité, les dimensions des armoires, le retrait de l'emballage, l'installation électrique, les tests effectués sur l'installation et le service après-vente.
- ___ 3. Démontez la ou les portes du four à charnières inférieures (et non les portes battantes latérales) pour réduire le poids de l'appareil et faciliter l'accès aux prises pour soulever celui-ci.
- ___ 4. Déplacer le four et le disposer devant l'ouverture de l'armoire, en laissant la partie inférieure de l'emballage de l'appareil intact pour éviter d'endommager le revêtement de sol.
- ___ 5. S'il s'agit de l'installation d'un appareil combiné (four et micro-ondes ou four et four à vapeur), effectuer le montage intégral avant d'installer l'appareil.
- ___ 6. Dévisser les vis à tête à six lobes internes Torx (taille T-20) qui maintiennent l'appareil au fond du carton (à l'aide d'un tournevis en étoile).
- ___ 7. Soulever l'appareil à plusieurs pour le mettre en place directement dans la découpe de l'armoire en veillant à ne pas se pincer les doigts et à ne pas s'écorcher les mains ou les bras. S'assurer que le conduit électrique atteint bien le point de raccordement.
- ___ 8. Faire glisser l'appareil complètement pour le mettre en place en veillant à acheminer correctement le conduit électrique.
- ___ 9. Fixer le four à l'ouverture de l'armoire à l'aide des vis fournies (à l'aide d'un tournevis cruciforme Phillips).
- ___ 10. Remettre en place la ou les portes du four que vous avez retirées à l'étape 3 ci-dessus.
- ___ 11. Consulter l'intégralité de la notice d'installation et suivre le restant des procédures répertoriées, y compris l'exécution d'un essai de fonctionnement.
- ___ 12. La documentation complète sur les produits et les accessoires (peuvent être emballés ou placés dans une boîte) sont livrés avec le four.
- ___ 13. INSTALLATEUR - Laisser le paquet de documentation et les accessoires à la disposition du client.

Dimensions et exigences concernant les armoires

Les exigences concernant les armoires varient selon le modèle à installer. Veuillez consulter la section « Exigences concernant les dimensions des armoires » au dos de ce manuel d'installation pour obtenir des détails portant sur votre modèle particulier.

Tous les modèles nécessitent :

- 1/4 po (6,4 mm) d'espace entre le côté du four et un mur ou une porte d'armoire adjacents lorsque l'installation se fait au bout d'une série de placards.
- L'installation de planches de 2 x 4 po (5,08 x 10,16 cm) qui s'étendent d'avant en arrière et sont de niveau avec le

fond et le côté de l'ouverture pour servir de support au four. Cette base de support doit être bien fixée au sol ou à l'armoire et doit être de niveau.

- La boîte de raccordement électrique doit être placée au-dessus de l'appareil pour en faciliter le branchement et le dépannage.
- La base de l'armoire doit être plate et capable de supporter le poids de votre four lorsque celui-ci est en fonctionnement (ce poids peut varier selon le modèle pouvant aller jusqu'à 429 lb (195 kg)). Voir le poids approprié pour votre modèle dans la section « Exigences concernant les dimensions des armoires » au dos du présent Guide d'installation.

Retrait de l'emballage

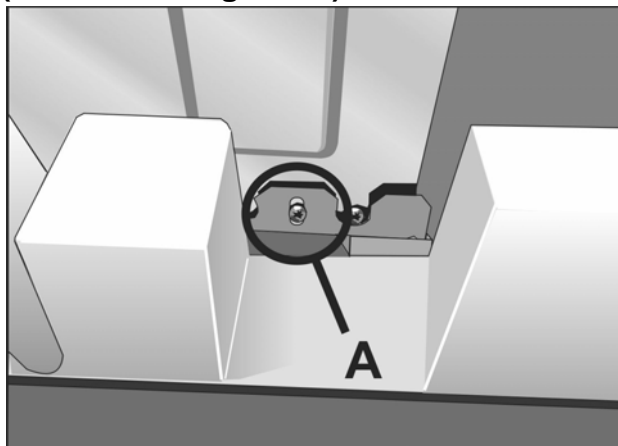
- Couper les bandes à l'extérieur du carton d'emballage.
- Retirer la boîte en carton en la soulevant à la verticale pour l'enlever de l'appareil.
- Retirer tous les panneaux de carton ainsi que les attaches en mousse de polystyrène placés sur le dessus et les côtés.
- Placer le four devant l'armoire où il doit être installé (en le laissant sur le socle de transport).
- Retirer tous les accessoires, les grilles, le matériel d'emballage et la documentation de la cavité du four (pour les fours doubles, retirer ces articles des deux cavités, le cas échéant).
- Dévisser les supports de conditionnement de l'appareil comme indiqué ci-dessous à la section « Retrait des supports de conditionnement ».

Remarque : Toutes les vis situées près du support de fixation du socle sont à empreinte hexalobée (taille T-20). Il suffit de dévisser la vis qui passe par le trou allongé dans le support de fixation des côtés droit et gauche de l'appareil pour soulever l'appareil du socle de montage (vis encerclée et indiquée par la lettre « A » dans l'illustration suivante.)

AVIS

Retirer une seule vis de chaque support. Ceci permettra de libérer le four du socle de transport. Ne retirer aucune autre vis du four.

Retrait des supports de conditionnement (côtés droit et gauche)



Remarque :

Différents modèles utilisent différents matériels d'emballage. Les supports réels peuvent être différents. Le support reste dans le socle d'emballage. L'appareil doit rester sur le socle d'emballage jusqu'à ce qu'il soit prêt à être extrait et placé dans l'ouverture de l'armoire.

Préparation du four

Placer le four devant l'armoire où il doit être installé de sorte qu'il soit dans l'alignement de l'ouverture de l'armoire.

Vérifier que tout le matériel d'emballage a été retiré de l'appareil. Retirer également les accessoires, les grilles de four, la pochette de documentation et tout matériel d'expédition se trouvant à l'intérieur de la cavité du four (retirer ces éléments des deux cavités de four pour un four double ou un four combiné).

Installation

Déterminer le type d'installation

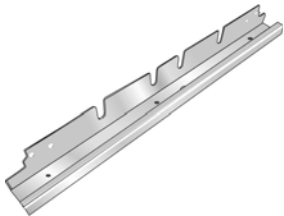
Ce guide d'installation fournit des instructions relatives à l'installation des fours simples, doubles et combinés (un four simple combiné avec un four à micro-ondes ou un four à vapeur).

Les fours autonomes simples et doubles ne nécessitent aucun pré-montage. À moins que vous n'installiez un four combiné, sautez les instructions de pré-montage du four combiné, et **reportez-vous directement à la section « Installation électrique » qui s'applique à tous les fours.**

Pre-montage des fours combinés avant l'installation

Les fours combinés (avec four à micro-ondes ou four à vapeur) nécessitent l'assemblage des éléments avant que l'appareil combiné ne puisse être installé dans l'armoire murale.

Remarque : Le four simple peut être installé avec un four à vapeur ou avec un four à micro-ondes. La procédure d'installation diffère selon le type de four installé. Les pièces qui se trouvent dans le tube carré sont communes aux deux installations. Pièces fournies

Support de raccordement universel (2) (dans la boîte des pièces sur le four)	
Vis (16) (dans la poche rouge, à l'intérieur de la boîte des pièces sur le four)	
Vis de montage du four 8 vis sont incluses pour fixer la garniture du four à l'armoire. Les vis se trouvent dans un petit sac en plastique relié à la pochette de documentation.	

Glissière pour service mixte (2)*

* Cette pièce est pré-montée sur le four pour recevoir un four à micro-ondes.



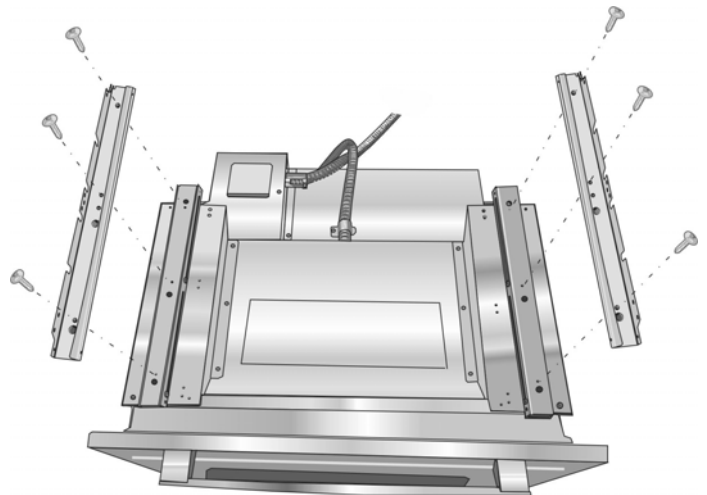
Installation du four combiné

Installation avec four à micro-ondes

Remarque : Installez le four dans l'armoire murale uniquement après avoir monté le four à micro-ondes dessus à l'aide des supports de raccordement universels.

1. Les glissières pour service mixte sont fixées sur le four et espacées de manière à recevoir le four à micro-ondes.
2. Installer les deux supports de raccordement universels à l'aide de six des vis fournies. Serrer les vis à fond, mais ne pas trop serrer.

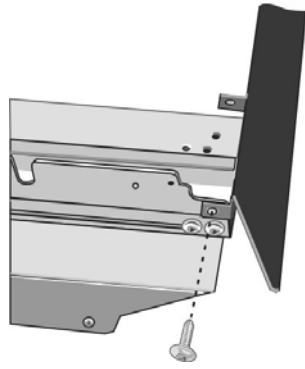
Remarque : Les supports de raccordement universels sont interchangeables pour les côtés gauche et droit du four. Veiller à ce que le bord vertical le plus grand du support soit tourné vers l'extérieur du four.



3. Installer l'élément décoratif.

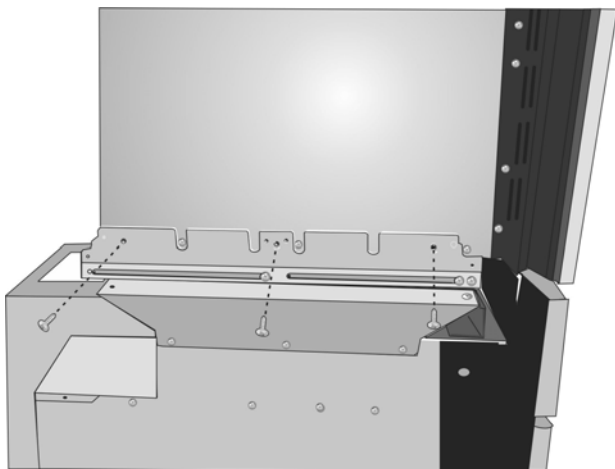
Mettre l'élément décoratif en place de manière à ce que les rebords comportant les trous soient tournés du côté opposé à la porte du four.

Aligner les rebords extérieurs avec la partie extérieure des supports universels. Fixer à l'aide d'une vis insérée dans le trou final du support universel. Serrer les vis à fond, mais ne pas trop serrer.



4. Placer le four à micro-ondes sur les supports de raccordement universels et le fixer à l'aide de trois vis par côté. Serrer les vis à fond, mais ne pas trop serrer.

Remarque : Les vis existantes dans la base du four à micro-ondes facilitent l'alignement. Au moment d'abaisser le four à micro-ondes pour le mettre en place sur le support de raccordement universel, laisser les têtes des vis glisser dans les encoches comme illustré ci-dessous. La vis la plus proche de la face avant du four à micro-ondes glisse dans la base de la partie inclinée à l'avant du support.

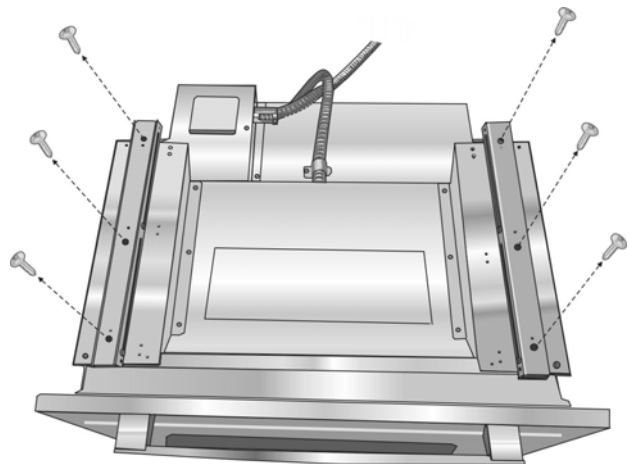


5. Continuer l'installation de l'appareil comme indiqué dans les sections suivantes relatives au raccordement électrique et à l'installation du four dans l'armoire murale.

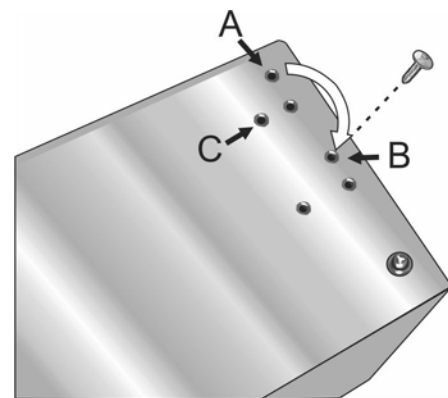
Installation avec four à vapeur

Remarque : Installez le four dans l'armoire murale uniquement après avoir monté le four à vapeur dessus à l'aide des supports de raccordement universels.

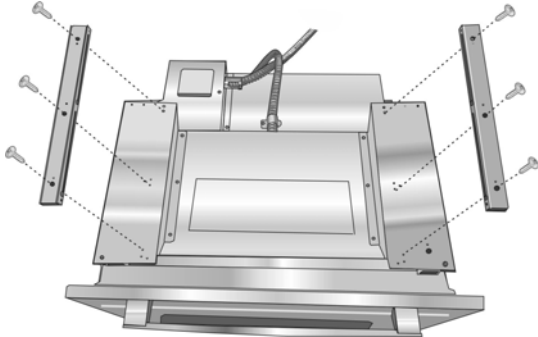
1. Enlever les six vis qui maintiennent les ensembles de glissière pour service mixte au support de fixation. Utiliser un embout de tournevis magnétique pour atteindre les vis à travers les grands trous pratiqués sur le dessus des glissières.



2. La vis en position A (le plus près du bord intérieur, près du panneau de commande) doit être déplacée pour permettre au support universel d'être placé à cet endroit. Retirer la vis intérieure (A) du support de fixation gauche et la réintroduire dans le troisième trou (B) depuis le bord intérieur du support de fixation. Répéter cette opération pour le support de fixation droit.



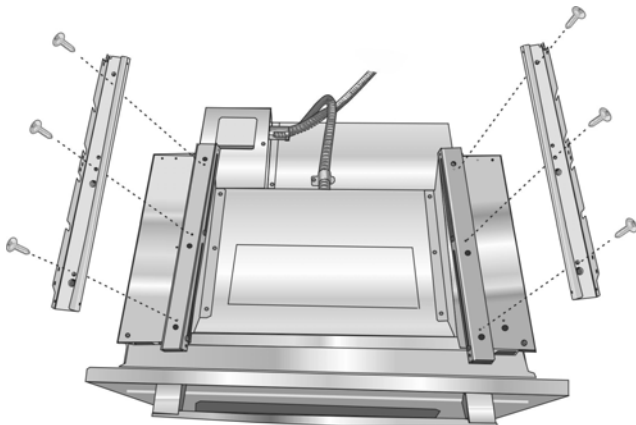
3. Fixer à nouveau les ensembles de glissière à l'aide des trous près du bord intérieur du support de fixation. Aligner l'ensemble de glissière parallèlement au bord du support et introduire la première vis dans le trou (C). Introduire les trois vis pour chaque ensemble de glissière. Serrer les vis à fond, mais ne pas trop serrer.



Remarque : Lorsque les trous appropriés sont utilisés, la partie avant de la glissière dépassera légèrement le bord de la barre de support horizontale. La glissière sera à environ 1/8 po (3 mm) de distance du bord intérieur du support de fixation.

4. Monter les deux supports de raccordement universels sur les ensembles de glissières à l'aide des vis fournies. Serrer les vis à fond, mais ne pas trop serrer.

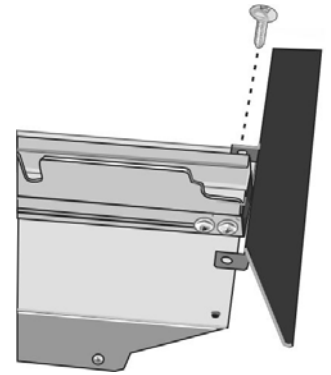
Remarque : Les supports de raccordement universels sont interchangeables pour les côtés gauche et droit du four. Veiller à ce que le bord vertical le plus grand du support soit tourné vers l'extérieur du four.



5. Installer l'élément décoratif.

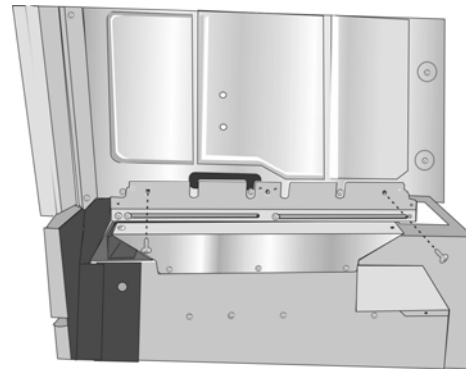
Mettre l'élément décoratif en place de manière à ce que les rebords comportant les trous soient tournés du côté opposé à la porte du four.

Aligner les rebords intérieurs avec la partie intérieure des supports universels. Fixer à l'aide d'une vis pour chacun insérée dans le trou final du support universel. Serrer les vis à fond, mais ne pas trop serrer.



6. Placer le four à vapeur sur les supports de raccordement universels et le fixer à l'aide de deux vis par côté. Serrer les vis à fond, mais ne pas trop serrer.

Remarque : Les vis existantes dans la base du four à vapeur facilitent l'alignement. Au moment d'abaisser le four à vapeur pour le mettre en place sur le support de raccordement universel, laisser les têtes des vis glisser dans les encoches comme illustré ci-dessous. La vis la plus proche de la face avant du four à vapeur glisse dans la base de la partie inclinée à l'avant du support.



7. Continuer l'installation de l'appareil comme indiqué dans les sections suivantes relatives au raccordement électrique et à l'installation du four dans l'armoire murale.

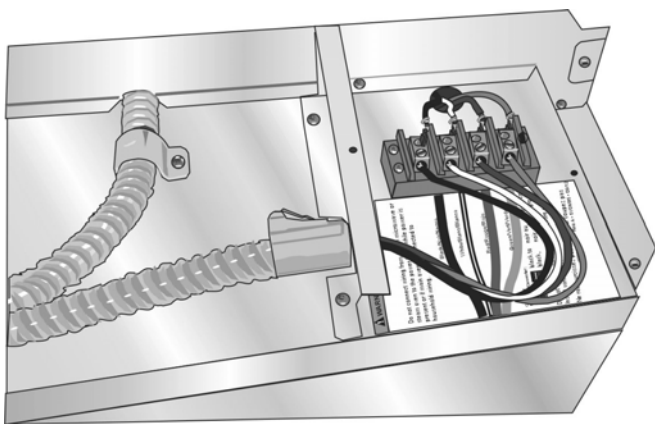
Raccordement du conduit électrique du four à micro-ondes ou du four à vapeur au four simple

Remarque : Si vous installez le four avec un four à micro-ondes ou avec un four à vapeur comme appareil combiné, le câble d'alimentation du four à micro-ondes ou du four à vapeur doit être branché de manière adéquate au boîtier de jonction monté sur le four. Ceci doit être fait avant de fournir l'alimentation électrique au four.

⚠ AVERTISSEMENT

Débrancher l'alimentation électrique du four avant de connecter le câblage du four à micro-ondes ou du four à vapeur. Le non-respect de cette précaution peut entraîner un choc électrique et des blessures, voire la mort.

1. Vérifier que l'alimentation électrique du four a bien été coupée.
2. Enlever le couvercle de la boîte de jonction montée sur le four (elle se trouve sur la partie supérieure du four, à l'arrière).
3. Enlever le couvercle de l'orifice d'accès au conduit sur le côté de la boîte de jonction montée sur le four.



4. Guider les quatre fils du câble de raccordement venant du four à micro-ondes ou du four à vapeur à travers le trou de la boîte de jonction montée sur le four.
5. Encastrer le raccord de conduit dans le trou en enfonçant jusqu'à ce qu'il se mette en place avec un déclic.
6. Suivre les indications de l'étiquette du schéma de câblage et faire correspondre et brancher chaque fil selon sa couleur aux fils reliés à la borne à l'intérieur de la boîte de jonction montée sur le four. Introduire l'extrémité dénudée de chaque fil jusqu'à ce qu'elle soit bien encastrée dans la borne, puis serrer la vis de retenue sur chaque fil. Serrer à fond, mais ne pas trop serrer.
7. Remettre en place le couvercle de la boîte de jonction montée sur le four et serrer les deux vis qui la maintiennent en place. Serrer les vis à fond, mais ne pas trop serrer.
8. Consulter la section « Raccordement électrique » pour obtenir de plus amples informations sur la manière de terminer le raccordement électrique du four combiné à l'alimentation principale.

Installation électrique

Tous les modèles de four mentionnés sur la couverture avant de la présente notice d'installation sont à double intensité et conçus pour être connectés sur un réseau électrique monophasé à 4 fils de 208 ou 240 V c.a., 60 Hz.

Modèle	Circuit requis	
	208 V, 60 Hz	240 V, 60 Hz
HBN54, HBN84, HBL53, HBL54, HBL84, HBLP4	30 A	
HBL55	30 A	40 A
HBN56, HBL56, HBL57, HBN86, HBL86, HBL87, HBLP6, HBLP7, HSLP7	40 A	

L'alimentation électrique doit être un courant alternatif monophasé à 4 fils. Installer une boîte de raccordement appropriée (non fournie). Un raccord de conduit listé UL de la taille appropriée doit être utilisé pour fixer correctement le conduit à la boîte de jonction.

Important : Les codes locaux peuvent varier; l'installation, les raccordements électriques et la mise à la terre doivent être conformes à tous les codes locaux applicables.

Si les codes locaux autorisent la mise à la terre par un fil d'alimentation électrique neutre, brancher à la fois le fil neutre blanc et le fil de terre vert venant du four au fil d'alimentation électrique neutre blanc.

Important : Si vous avez acheté un four combiné (comprenant un four à micro-ondes ou un four à vapeur placé au-dessus du four simple), voir la section précédente « Branchement du conduit électrique du four à micro-ondes ou du four à vapeur au four simple » traitant du raccordement électrique des composants du four combiné.

⚠ AVERTISSEMENT

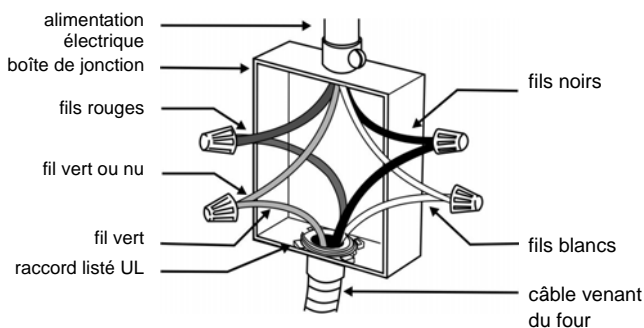
Réaliser le raccordement du conduit du four à micro-ondes ou du four à vapeur au four simple avant de passer au raccordement électrique de l'appareil à l'alimentation principale.

Raccordement électrique à l'alimentation principale

Le raccordement à quatre fils est privilégié, mais là où les codes locaux l'autorisent, un raccordement à trois fils est également acceptable.

Raccordement à quatre fils

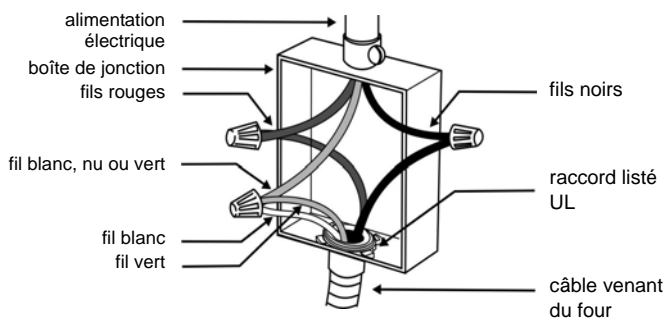
Neutre non mis à la terre



- Raccorder le fil rouge du four au fil d'alimentation électrique rouge (fil chargé).
- Raccorder le fil noir du four au fil d'alimentation électrique noir (fil chargé).
- Raccorder le fil neutre blanc du four au fil d'alimentation électrique neutre blanc (pas au fil de terre nu ou vert).
- Raccorder le fil de terre vert du four au fil de terre nu ou vert de l'alimentation électrique.

Raccordement à trois fils

Neutre mis à la terre



- Raccorder le fil rouge venant du four au fil rouge dans la boîte de jonction.
- Raccorder le fil noir venant du four au fil noir dans la boîte de jonction.
- Raccorder les deux fils de terre vert et blanc du four au fil neutre blanc, vert ou nu dans la boîte de jonction.

Le câble de raccordement, au niveau du four, pivote. Faire pivoter le câble de raccordement vers le haut (ou vers le bas) et faire passer celui-ci à travers le trou préparé dans l'armoire pour fixer à la boîte de jonction.

Pour garder une facilité d'entretien, le conduit flexible ne doit pas être raccourci et doit être acheminé de manière à faciliter le déplacement provisoire du four.

Installation du four dans l'armoire murale

AVIS

Avant d'installer le four, prendre soin de vérifier les dimensions de l'armoire ainsi que les raccordements électriques. Vérifier que l'ouverture de l'armoire est de niveau et à l'équerre pour assurer une installation correcte.

Les appareils combinés (four équipés d'un four à micro-ondes ou d'un four à vapeur) sont livrés avec des consignes d'installation supplémentaires. Veuillez consulter la section précédente « Pré-montage des fours combinés avant l'installation ».

Pour de meilleurs résultats d'installation

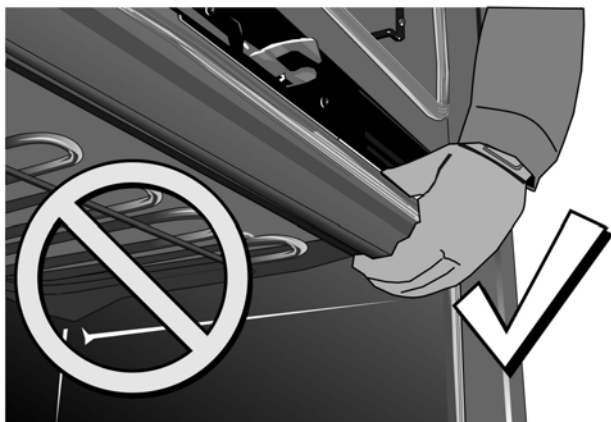
Les fours doubles et combinés peuvent être difficiles à manipuler par deux personnes pendant l'installation. Il est recommandé de faire intervenir trois personnes ou plus pour aider à soulever l'appareil afin de le mettre en place. Il est également recommandé de démonter la porte du four (modèles à charnières inférieures uniquement) pour aider à réduire le poids de l'appareil et faciliter l'accès aux prises situées à l'intérieur du four.

Attention : Il est recommandé de porter des gants et des manches longues pour protéger les mains et les avant-bras contre les écorchures et les éraflures pouvant survenir pendant l'opération de levage de l'appareil. Il est également recommandé d'enlever montres et bijoux et de porter des chaussures de travail pendant l'installation pour se protéger les pieds.

Point de levage correct à l'intérieur du four

Avis : NE tentez PAS de soulever l'appareil par l'élément supérieur du four.

Il existe une nervure en travers de la partie supérieure avant de la cavité du four. Soulever l'appareil en saisissant cette nervure d'une main après avoir placé l'autre main à l'arrière de l'appareil (pour les personnes auxiliaires qui soulèvent l'appareil depuis les côtés). Si un troisième auxiliaire soulève l'appareil par le devant, il devra se servir des deux mains pour saisir celui-ci à l'endroit où se trouve cette nervure.



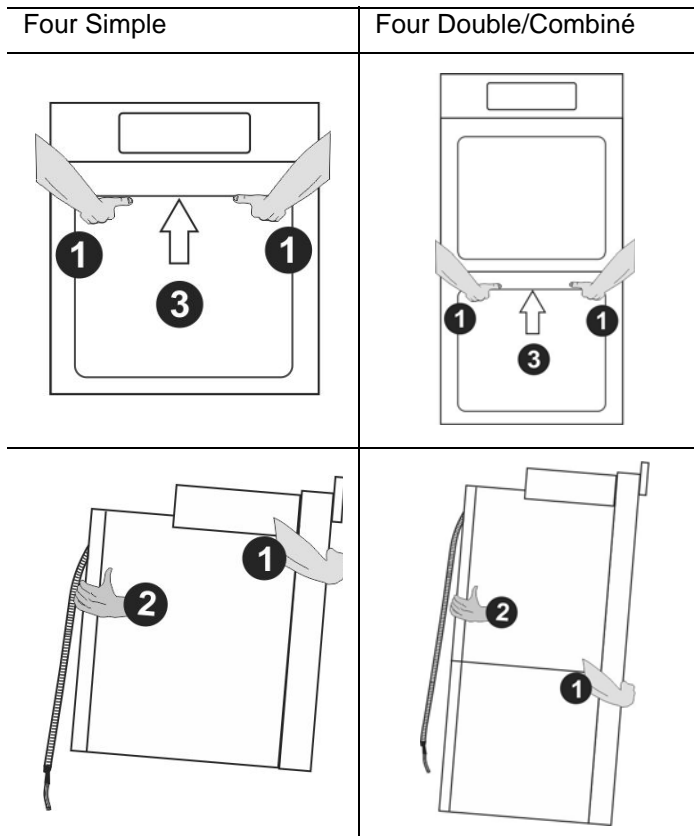
Les recommandations concernant le levage varient en fonction du type de porte dont le four est équipé

Porte à charnières inférieures

Emplacements de levage [avec porte(s) retirée(s)]

Les points de levage (1) à l'avant de l'appareil sont utilisés pour le levage depuis les côtés de l'appareil. Le point de levage (3) à l'avant de l'appareil est utilisé par une troisième personne à laquelle on a recours pour soulever l'appareil.

Le point de levage (2) à l'arrière de l'appareil indique l'emplacement de la main opposée pour les personnes auxiliaires qui aident à soulever l'appareil depuis les côtés. Ajuster l'emplacement au besoin pour faciliter l'opération de levage de l'appareil. Porter des gants, une chemise à manches longues et éviter les arêtes vives afin de réduire le risque de coupure ou les éraflures sur les bras ou les mains.

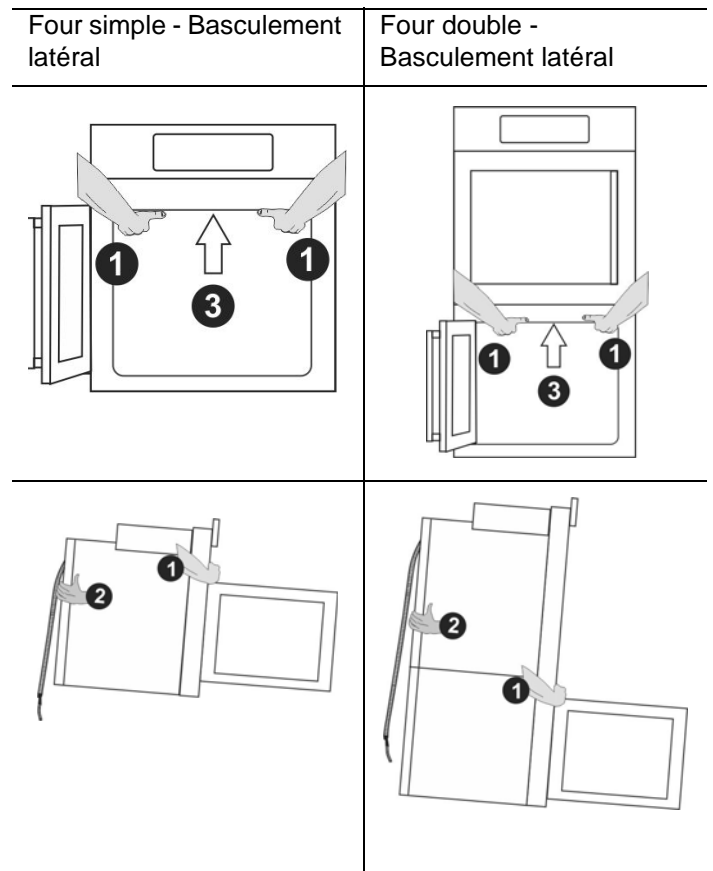


Porte à charnières latérales

Emplacements de levage (avec la porte inférieure ouverte à un angle de 90° à 110°)

Les points de levage (1) à l'avant de l'appareil sont utilisés pour le levage depuis les côtés de l'appareil. Le point de levage (3) à l'avant de l'appareil est utilisé par une troisième personne à laquelle on a recours pour soulever l'appareil.

Le point de levage (2) à l'arrière de l'appareil indique l'emplacement de la main opposée pour les personnes auxiliaires qui aident à soulever l'appareil depuis les côtés. Ajuster l'emplacement au besoin pour faciliter l'opération de levage de l'appareil. Porter des gants, une chemise à manches longues et éviter les arêtes vives afin de réduire le risque de coupure ou les éraflures sur les bras ou les mains.



Installation du four

AVERTISSEMENT

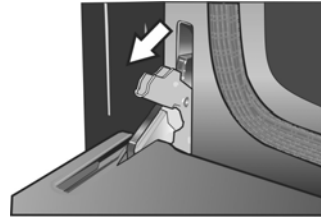
- Avant d'enlever la porte, s'assurer que le four est froid et que le courant qui l'alimente a été coupé. Le non-respect de cette précaution peut entraîner des brûlures.
- La porte du four est lourde et fragile. Utiliser les deux mains pour l'enlever. Le devant de la porte est en verre. Manipuler avec précautions pour éviter les cassures.
- Saisir uniquement les côtés de la porte. Ne pas saisir la poignée, car elle peut pivoter dans la main et causer des dommages ou des blessures.
- Si la porte du four n'est pas saisie fermement et correctement, il y a un risque de lésion corporelle ou de dommage au produit.
- Pour éviter toute blessure causée par l'enclenchement soudain du support de charnière, s'assurer que les deux leviers sont bien enclenchés avant d'enlever la porte. En outre, ne pas forcer la porte pour l'ouvrir ou la fermer car la charnière risque de s'abîmer et vous pourriez vous blesser.
- Après avoir démonté la porte, ne pas la poser sur des objets acérés ou pointus car ceux-ci risquent de briser la vitre. Disposer la porte sur une surface plane et lisse afin qu'elle ne risque pas de tomber.

Portes à charnières inférieures uniquement - Retirer avant l'installation

Important : Ne pas tenter de retirer la porte à charnières latérales (les portes à charnières latérales sont disponibles uniquement sur certains modèles).

Sur les fours équipés de **portes à charnières inférieures**, il est possible d'enlever la (les) porte(s) du four avant de soulever l'appareil pour le mettre en place. Chaque porte pèse environ 40 livres (18,1 kg). La dépose et la remise en place d'une porte sont des procédés courants simples. La dépose d'une porte allège l'appareil de manière notable et

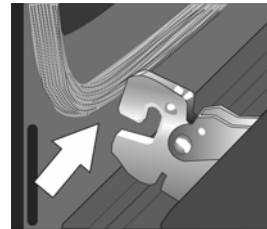
facilite l'accès aux prises recommandées à l'intérieur de la cavité du four. Voir les instructions ci-dessous.



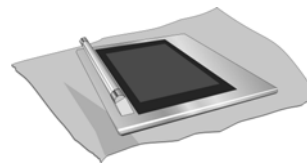
1. S'assurer de lire tous les avertissements et précautions figurant dans le manuel d'installation concernant le retrait de la porte avant toute tentative de dépose de celle-ci.
2. Ouvrir la porte complètement.
3. Basculer les leviers de fermeture des charnières vers soi.



4. Tout en maintenant fermement la porte des deux côtés à deux mains, fermez délicatement la porte jusqu'à ce qu'elle vienne buter contre les leviers de fermeture, à environ 30° de la position fermée.



5. Soulever soigneusement la porte pour la sortir des fentes des charnières. Maintenir fermement; la porte est lourde.



6. Placer la porte sur une surface facilement accessible et stable jusqu'à ce que vous soyez prêt(e) à la remettre en place. Poser la porte sur une serviette ou une section de rembourrage de mousse pour éviter d'endommager la porte ou le sol.

ATTENTION

Pour éviter d'endommager la porte, ne pas soulever, tirer ni pousser l'appareil au cours de l'installation en utilisant la poignée de la porte du four comme point de prise.

Il est recommandé de porter des gants et des manches longues pour protéger les mains et les avant-bras contre les écorchures et les éraflures pouvant survenir pendant l'opération de levage de l'appareil. Il est également recommandé d'enlever montres et bijoux et de porter des chaussures de travail pendant l'installation pour se protéger les pieds.

En soulevant l'appareil pour le mettre en place, éviter de saisir l'élément supérieur pour éviter de l'abîmer. Voir l'illustration suivante pour connaître le point de levage correct pour un four double à charnières inférieures dont la porte inférieure a été retirée. Cette illustration présente une vue détaillée de la cavité du four. Notez l'emplacement de la saillie à l'intérieur de la partie supérieure de la cavité. C'est à cet endroit que l'on doit saisir le four de l'avant pour le soulever.

Pour votre type de four particulier, voir la section précédente « **Les recommandations concernant le levage varient en fonction du type de porte dont le four est équipé** » pour connaître les points de levage.


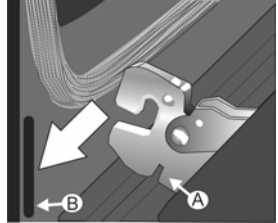
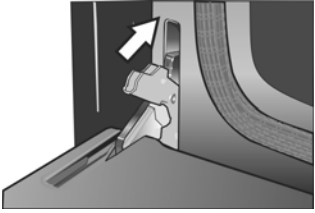


Installation du four dans l'armoire (tous les fours)

1. L'appareil et son emballage inférieur (socle en bois et en mousse de polystyrène) doivent être placés près de l'ouverture de l'armoire et devant celle-ci avant de commencer à soulever l'appareil pour le mettre en place.
2. Soulever ou faire glisser l'appareil dans l'ouverture de l'armoire en empêchant le socle d'entrer en contact avec le sol.
3. Vérifier que le câble de raccordement ne tombe pas derrière l'appareil pendant l'installation. Pour faciliter la manœuvre, faire courir le conduit à l'endroit où il sera raccordé (telle qu'une armoire suspendue ou adjacente) et fixer l'extrémité du conduit avec du ruban adhésif afin qu'il ne tombe pas pendant l'opération d'encastrement de l'unité dans l'armoire.
4. Guider l'appareil directement vers l'arrière dans l'ouverture de l'armoire.
Remarque : Faire attention à ne pas pincer le conduit flexible entre le four et la paroi arrière de l'armoire. Si nécessaire, guider le conduit flexible dans le trou d'accès de la paroi ou de l'armoire en veillant à ce qu'il ne fasse pas obstacle à l'encastrement complet de l'appareil à l'intérieur de l'armoire. Le four doit être droit et de niveau, et ne doit pas être de travers.
5. Pousser l'appareil tout droit jusqu'à ce que la garniture du four soit de niveau avec la face avant de la garniture de l'armoire.
6. Installer les vis fournies dans les trous taraudés de la garniture. (2 vis pour les fours simples, 4 vis pour les fours doubles/combinés).

Fours équipés de portes à charnières inférieures uniquement

Remettre les portes du four en place :

	<ol style="list-style-type: none"> 1. Maintenir la porte fermement des deux mains. 2. Maintenir la porte à un angle de 30° de la position fermée et insérer les charnières dans les fentes. Il faudra peut-être secouer légèrement la porte d'avant en arrière pour placer le pied de la charnière.
	<ol style="list-style-type: none"> 3. Il faudra peut-être démonter et remonter la porte jusqu'à ce que les charnières soit complètement engagées dans les fentes.
	<ol style="list-style-type: none"> 4. Ouvrir la porte toute grande pour exposer les charnières, les leviers de fermeture et les fentes. 5. Enfoncer les leviers de fermeture vers l'avant et vers le bas jusqu'à ce qu'ils soient engagés sur l'attache. 6. Fermer et ouvrir la porte lentement pour s'assurer qu'elle est correctement et solidement installée. Elle doit être droite et ne pas dévier.

Fours équipés de portes à charnières latérales uniquement

Alignement des portes à charnières latérales

Remarque : Aligner uniquement les portes de four à charnières latérales après avoir complètement installé l'appareil dans l'armoire.

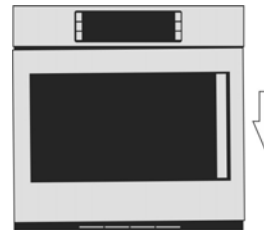


Fig. A

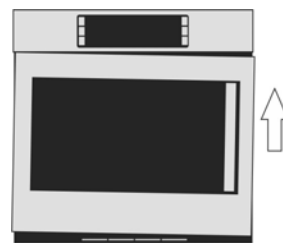


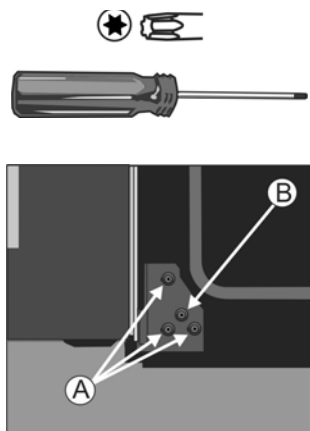
Fig. B

1. Vérifier que les portes du four à charnières latérales sont correctement alignées.

La porte doit se fermer sans difficulté lorsque la gâche est engagée sur le galet lorsqu'on ferme la porte.

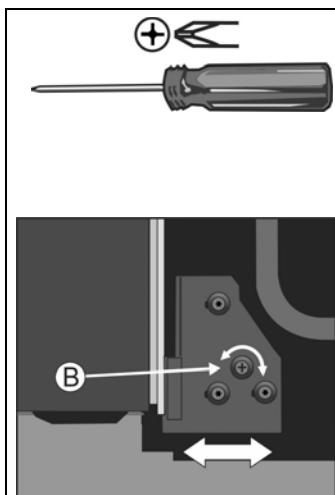
2. Trop haut (Fig. A - la porte doit être déplacée vers le bas du côté du loquet). Vous constaterez une obstruction entre la gâche et le logement d'encliquetage.
3. Trop bas (Fig. B - la porte doit être déplacée vers le haut du côté du loquet). Vous sentirez une secousse lorsque la gâche entre en contact avec le galet de ré-alignement.
Conseil : L'espace entre la partie supérieure de la porte du four fermée et le panneau de commande (ou la porte supérieure pour les cavités inférieures dans les fours doubles) doit être relativement uniforme d'un côté à l'autre.

Procédure d'alignement de la porte à charnières latérales



1. Ouvrir la porte à un angle d'environ 135°.
2. À l'aide d'un tournevis cruciforme Torx T-20, desserrer les 3 vis (A) sur la charnière inférieure en effectuant 1 à 2 tours complets.

Remarque : Tous les ajustements sont effectués uniquement avec la charnière inférieure. La charnière supérieure est fixée en place et ne peut pas être ajustée.



3. À l'aide d'un tournevis à pointe cruciforme Phillips n° 2, faire pivoter la came (B) vers la droite ou vers la gauche pour ajuster la position de la charnière dans la direction souhaitée.

Remarque : Un déplacement de 1 mm de la charnière (à gauche ou à droite) se traduira par un déplacement de la porte vers le haut ou vers le bas d'environ 1,5 mm au niveau du loquet de porte.

4. Resserrer les vis avant de fermer la porte pour faire un essai. Faire attention à ne pas trop serrer.
5. Vérifier l'alignement correct de la porte. Répéter la procédure d'ajustement si nécessaire.

Guide de dépannage pour l'ouverture/la fermeture des portes à charnières latérales

Observation initiale	Observations supplémentaires	Cause :	Solution
La porte ne se ferme pas complètement et semble également difficile à ouvrir.	Le bord latéral de la contre-porte (du côté de la poignée de la porte) semble entrer en contact avec la garniture latérale de l'appareil.	L'installation fait que la garniture latérale est trop enfoncée vers l'intérieur.	Vérifier l'installation de l'appareil dans les armoires. Essayer de déplacer l'appareil dans l'armoire vers le côté des charnières autant que possible pour permettre à la garniture latérale importune de se dégager. Vous pouvez également essayer d'ajuster l'emplacement des vis de la garniture latérale pour éloigner la garniture de la porte. Vérifier à nouveau l'ouverture de l'armoire pour s'assurer qu'elle n'est pas trop étroite. Élargir l'ouverture si nécessaire.
La porte ne reste pas fermée.	L'ouverture de la porte nécessite très peu d'effort.	Le mécanisme de fermeture de porte intérieur à la porte s'est déclenché de manière intempestive alors que la porte était ouverte.	Pour remettre le mécanisme en place, fermer la porte complètement et, la porte fermée, pousser fermement sur la poignée de la porte jusqu'à ce que le mécanisme se remette en place. Une pression ferme pourra être nécessaire. Essayer d'ouvrir la porte.
La porte se ferme difficilement sur la gâche. Une fois fermée, la porte s'ouvre sans problème.	Lorsque la porte bute contre la gâche, elle se soulève. Vous sentirez une légère secousse lorsque le galet (intérieur à la porte) frappe l'extrémité de la gâche et soulève la porte. Si la porte se soulève de manière appréciable, elle ne se fermera plus toute seule, et il sera nécessaire d'intervenir pour la fermer complètement.	L'alignement de la porte est trop bas pour engager correctement la gâche. Voir la figure B dans les instructions relatives à l'alignement de la porte à charnières latérales.	Se reporter à la procédure d'alignement de la porte à charnières latérales pour faire monter le côté poignée de la porte jusqu'à ce que la porte se ferme facilement. Elle devrait s'ouvrir et se fermer sans difficulté, sans obstruction audible ou palpable.
La porte se ferme difficilement sur la gâche. Une fois fermée, la porte peut également paraître coincée lorsqu'on tire dessus pour l'ouvrir.	Lorsque vous essayez d'ouvrir la porte en position fermée, vous sentez une obstruction qui retient la porte et l'empêche de s'ouvrir. Vous sentez une obstruction similaire lors de la fermeture de la porte.	L'alignement de la porte est trop haut pour engager correctement la gâche. Voir la figure A dans les instructions relatives à l'alignement de la porte à charnières latérales.	Pour ouvrir une porte qui se coince, exercez une pression sur la poignée, vers le bas, tout en tirant. Se reporter à la procédure d'alignement de la porte à charnières latérales pour faire descendre le côté poignée de la porte jusqu'à ce que la porte se ferme facilement. Elle devrait s'ouvrir et se fermer sans difficulté, sans obstruction audible ou palpable.

Tests de fonctionnement

1. Remettre en service l'alimentation électrique au niveau du disjoncteur.
2. Faire un essai sur le mode four.
Sélectionner le mode **CUISSON**. Voir le Guide d'utilisation et d'entretien pour des consignes d'exploitation détaillées.
3. Vérifier que l'éclairage du four s'allume et que le four commence à préchauffer.
4. Tester le verrou de la porte.
Régler le mode **NETTOYAGE AUTO**. Confirmer que la porte est verrouillée lorsque l'icône représentant un verrou apparaît sur l'affichage.
5. Dans le cas d'une installation d'un four double, faire également un essai sur le deuxième four.
6. Si l'un des tests ne donne pas les résultats escomptés, comme indiqué ci-dessus, communiquer avec le service de dépannage de Bosch pour obtenir de l'aide. Sinon, l'installation est maintenant terminée.

Avant d'appeler le service de dépannage

Voir le Guide d'utilisation et d'entretien pour obtenir des informations concernant le dépannage. Consulter l'énoncé de garantie limitée figurant dans le Guide d'utilisation et d'entretien.

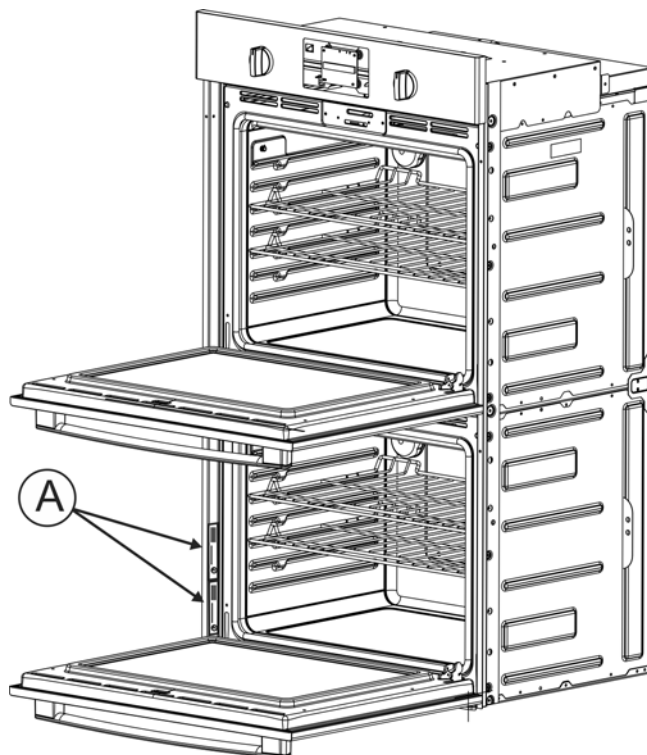
Pour contacter un technicien de dépannage, consultez les coordonnées sur la couverture avant du Guide d'utilisation et d'entretien. Lorsque vous téléphonez, soyez prêt à fournir les informations imprimées sur la plaque signalétique de votre produit.

Plaque signalétique

La plaque signalétique comporte le numéro de modèle et le numéro de série. Consulter la plaque signalétique de l'appareil électroménager lors d'une demande de dépannage. L'emplacement de la plaque signalétique varie selon le modèle du four et le type de charnière de porte.

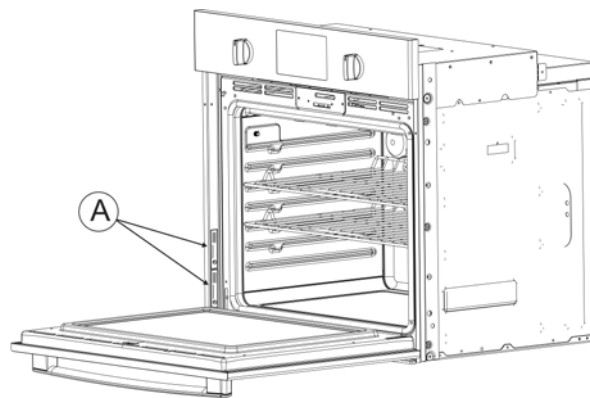
Fours doubles, Charnière inférieure

Remarque : Les plaques signalétiques (A) se trouvent sur le côté gauche de la garniture de porte de la cavité du four inférieur.



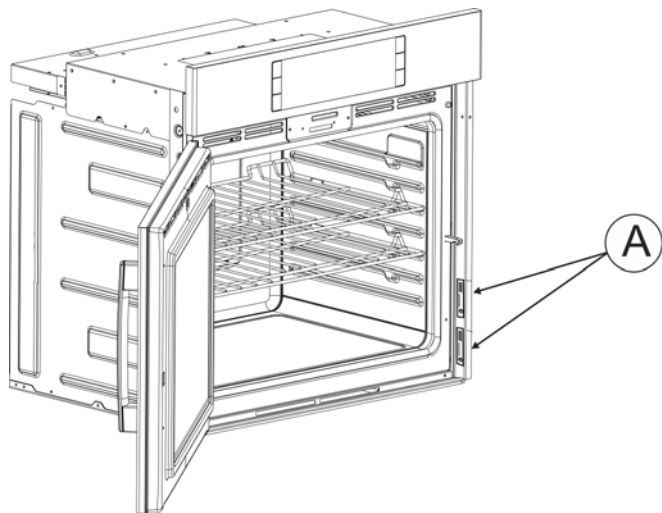
Fours simples, Charnière inférieure

Remarque : Les plaques signalétiques (A) se trouvent sur le côté gauche de la garniture de porte.



Fours simples, Charnière latérale

Remarque : Les plaques signalétiques (A) sont du côté opposé à la charnière de la porte. Pour les portes à charnières à gauche, les plaques signalétiques seront sur la garniture de la porte sur le côté droit de la porte. Pour les portes à charnières à droite, les plaques signalétiques seront sur la garniture de la porte sur le côté gauche de la porte.



Fours doubles, Charnière latérale

Remarque : Les plaques signalétiques se trouvent à l'opposé de la charnière de porte dans la cavité du four inférieur.

Exigences concernant les dimensions des armoires

Lors de l'installation du four à l'extrémité d'une série d'armoires, en position adjacente par rapport à un mur ou à une porte d'armoire perpendiculaire, il est bon de laisser un espace d'au moins 1/4 de pouce (6 mm) entre le côté du four et le mur ou la porte.

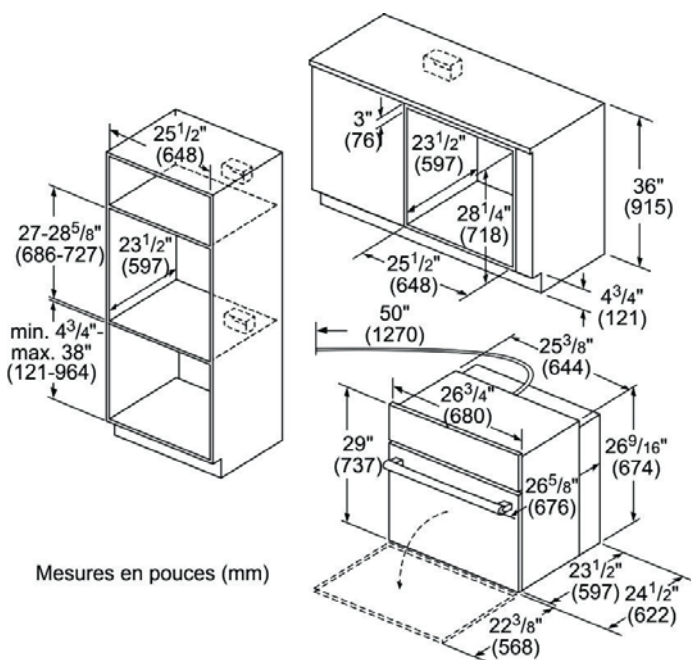
Installer des planches de 2 x 4 po (5,08 x 10,16 cm) qui s'étendent d'avant en arrière et sont de niveau avec le fond et le côté de l'ouverture pour servir de support au four. Cette base de support doit être bien fixée au sol ou à l'armoire et doit être de niveau.

Les boîtes de jonction peuvent se trouver n'importe où à proximité du câble d'alimentation du four.

Dimensions pour les fours simples de 27 po (69 cm)

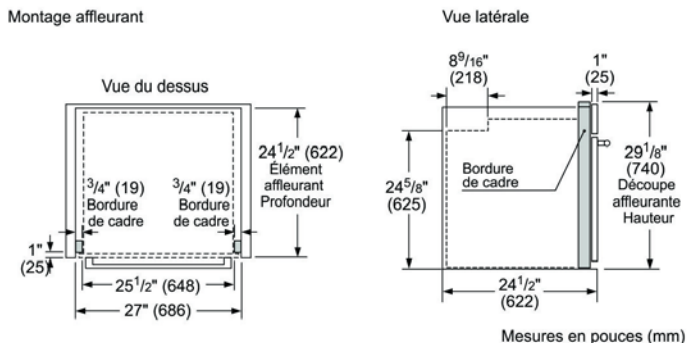
L'ouverture de l'armoire doit être d'aplomb et le socle doit être à plat et de niveau et capable de supporter un poids d'au moins 193 lb (87 kg).

Installation traditionnelle d'un four simple de 27 po (69 cm), En armoire et Sous comptoir



Installation encastrée d'un four simple de 27 po (69 cm)

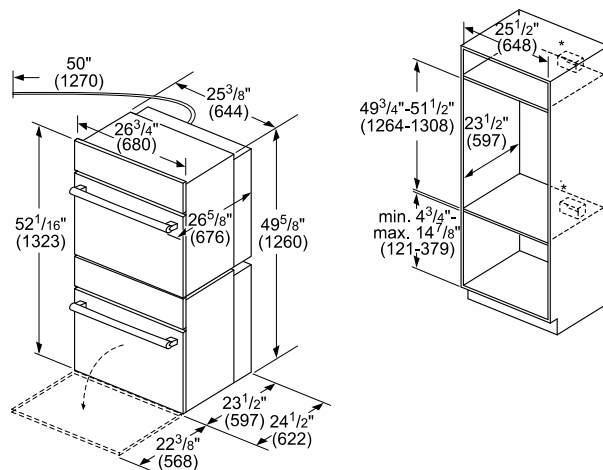
L'installation encastrée (montage mural et sous comptoir) nécessite deux tasseaux latéraux posés à l'intérieur du cadre de l'armoire ou du plan de travail, en retrait de la face avant.



Dimensions pour les fours doubles de 27 po (69 cm)

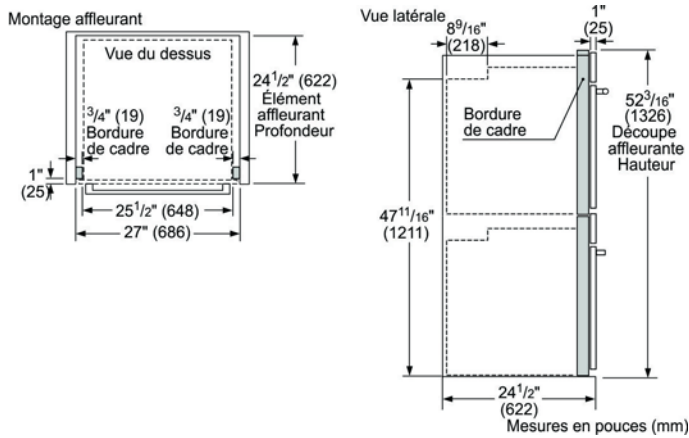
L'ouverture de l'armoire doit être d'aplomb et le socle doit être à plat et de niveau et capable de supporter un poids d'au moins 361 lb (164 kg).

Installation traditionnelle d'un four double de 27 po (69 cm)



Installation encastrée d'un four double de 27 po (69 cm)

L'installation encastrée nécessite deux tasseaux latéraux posés à l'intérieur du cadre de l'armoire, en retrait de la face avant.

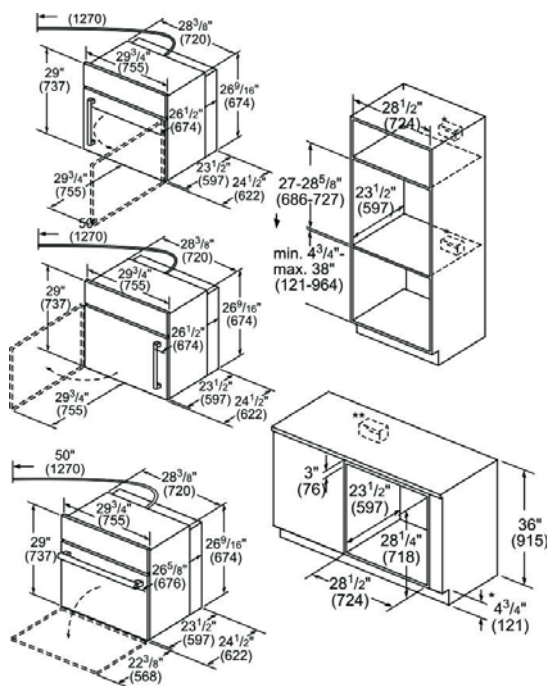


Dimensions pour les fours simples de 30 po (76 cm)

L'ouverture de l'armoire doit être d'aplomb et le socle doit être à plat et de niveau et capable de supporter un poids d'au moins 212 lb (96 kg).

Lors de l'installation d'un four à charnières latérales, laisser au moins 10 po (254 mm) de dégagement pour permettre à la porte de s'ouvrir.

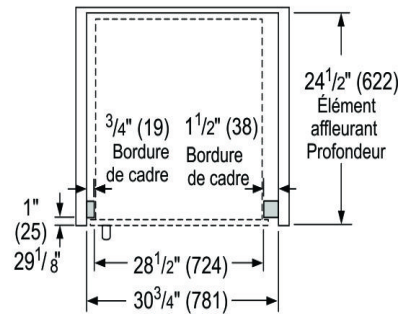
Installation traditionnelle d'un four simple de 30 po (76 cm), En armoire et Sous comptoir



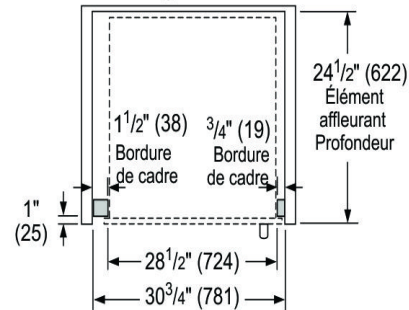
Installations encastrées d'un four simple de 30 po (76 cm)

L'installation encastrée nécessite deux tasseaux latéraux posés à l'intérieur du cadre de l'armoire, en retrait de la face avant.

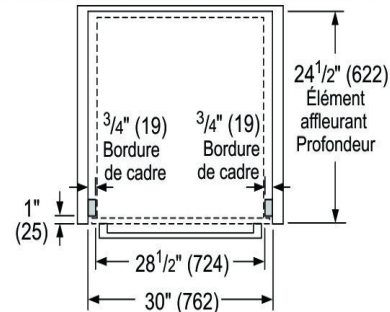
Porte battante droite - Vue de



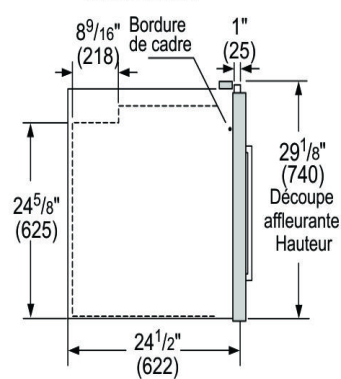
Porte battante gauche - Vue de



Porte à charnières inférieure - Vue de dessus



Vue de côté

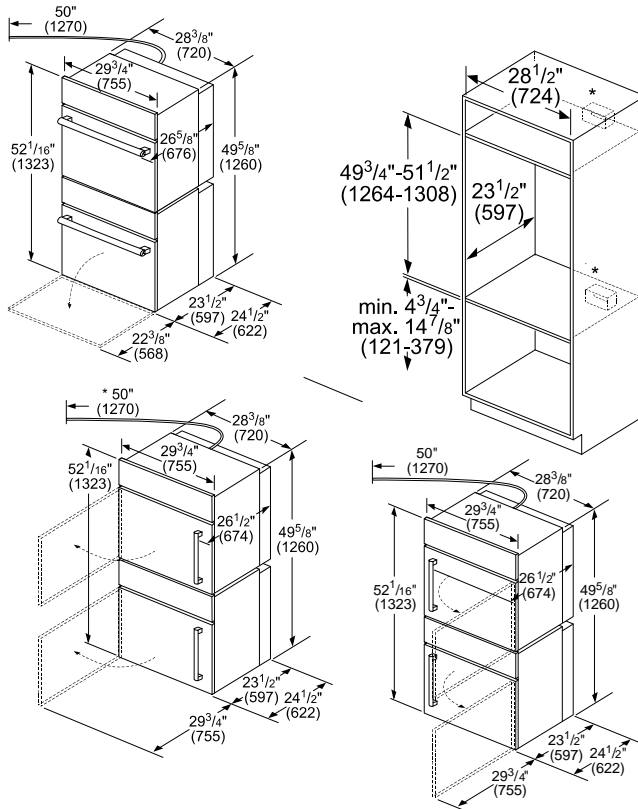


Mesures en pouces (mm)

Dimensions pour les fours doubles de 30 po (76 cm)

L'ouverture de l'armoire doit être d'aplomb et le socle doit être à plat et de niveau et capable de supporter un poids d'au moins 390 lb (177 kg).

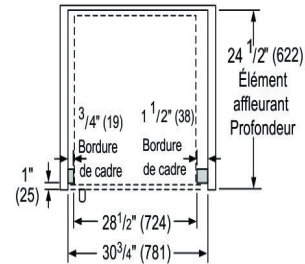
Installation traditionnelle d'un four double de 30 po (76 cm)



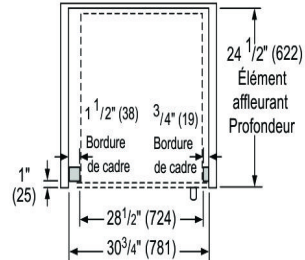
Installation encastrée d'un four double de 30 po (76 cm)

L'installation encastrée d'un four double de 30 po (76 cm) nécessite deux tasseaux latéraux posés à l'intérieur du cadre de l'armoire, en retrait de la face avant.

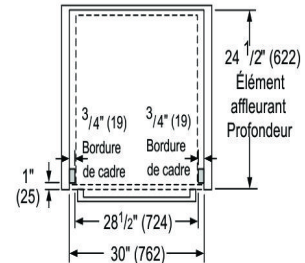
Porte battante droite - Vue de dessus



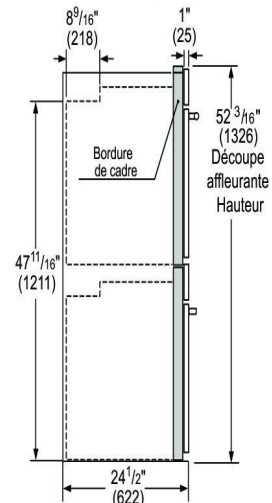
Porte battante gauche - Vue de dessus



Porte à charnières inférieure - Vue de dessus



Vue de côté (tout)

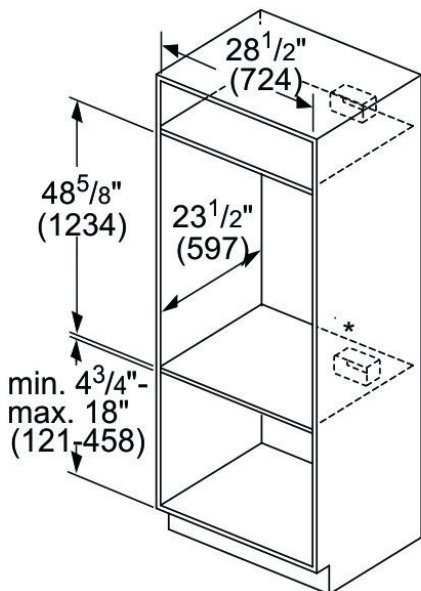
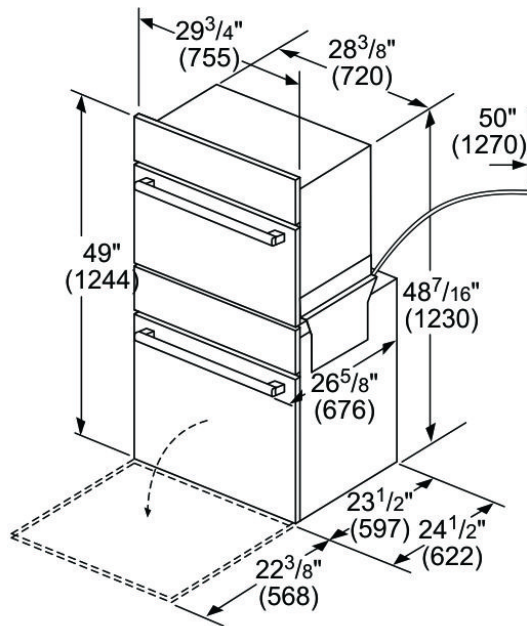


Mesures en pouces (mm)

Dimensions pour le four combiné de 30 po (76 cm) avec four à micro-ondes ou four à vapeur

L'ouverture de l'armoire doit être d'aplomb et le socle doit être à plat et de niveau et capable de supporter un poids d'au moins 310 lb (141 kg) avec un four à micro-ondes ou 429 lb (195 kg) avec un four à vapeur.

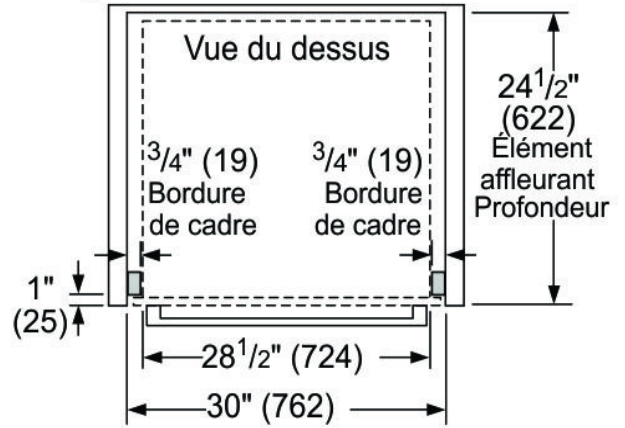
Installation traditionnelle d'un four combiné de 30 po (76 cm) avec four à micro-ondes ou four à vapeur



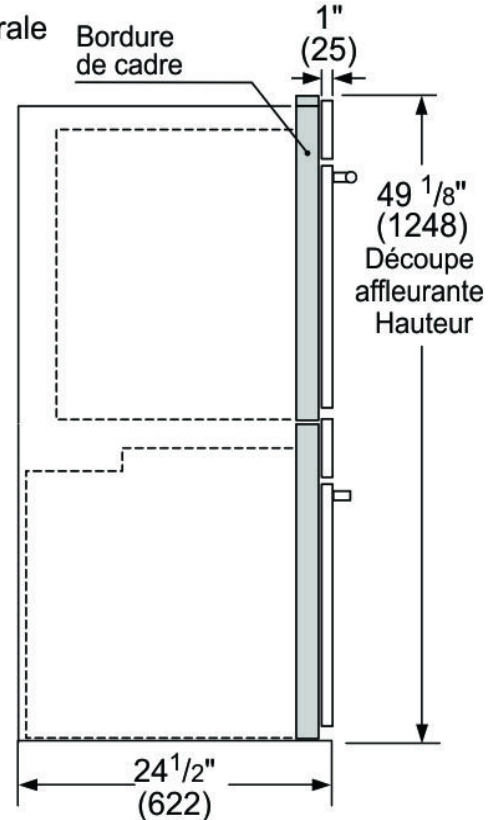
Installation encastrée d'un four combiné de 30 po (76 cm) avec four à micro-ondes ou four à vapeur

L'installation encastrée nécessite deux tasseaux latéraux posés à l'intérieur du cadre de l'armoire, en retrait de la face avant.

Montage affleurant



Vue latérale



Mesures en pouces (mm)

Índice

Definiciones de seguridad	1	Antes de llamar al servicio técnico	17
Preparación	3	Requisitos de dimensiones de los gabinetes	19
Antes de comenzar	3	Dimensiones para hornos simples de 27 pulg.	19
Herramientas y piezas necesarias	3	Instalación tradicional, en el gabinete y debajo de la superficie de trabajo del horno simple de 27 pulg.	19
Piezas incluidas	3	Instalación con montaje a ras del horno simple de 27 pulg.	19
Información general	3	Dimensiones para hornos dobles de 27 pulg.	19
Dimensiones y requisitos de los gabinetes	4	Instalación tradicional del horno doble de 27 pulg.	19
Cómo retirar el embalaje	4	Instalación con montaje a ras del horno doble de 27 pulg.	20
Preparación del horno	4	Dimensiones para hornos simples de 30 pulg.	20
Instalación	5	Instalación tradicional, en el gabinete y debajo de la superficie de trabajo del horno simple de 30 pulg.	20
Determine el tipo de instalación	5	Instalación con montaje a ras del horno simple de 30 pulg.	21
Preensamblaje de hornos combinados antes de la instalación	5	Dimensiones para hornos dobles de 30 pulg.	21
Cómo instalar el horno combinado	5	Instalación tradicional del horno doble de 30 pulg. Instalación con montaje a ras del horno doble de 30 pulg.	22
Instalación eléctrica	8	Dimensiones para hornos combinados de 30 pulg. y hornos de microondas o vapor 22	
Instalación del horno en el gabinete de pared	9	Instalación tradicional del horno combinado y horno de microondas o vapor de 30 pulg. . .	22
Para una mejor instalación	9		
Punto de levantamiento interno correcto del horno	10		
Cómo instalar el horno 12			
Solo para las puertas con bisagras inferiores; retirarlas antes de la instalación	12		
Cómo instalar el horno dentro del gabinete (todos los hornos)	13		
Solo para hornos con puertas con bisagras inferiores	14		
Solo para hornos con puertas con bisagras laterales	14		

Este electrodoméstico de Bosch es fabricado por
BSH Home Appliances Corporation
1901 Main Street, Suite 600
Irvine, CA 92614

¿Tiene preguntas?

1-800-944-2904

www.bosch-home.com/us

¡Esperamos recibir sus comentarios!

INSTRUCCIONES DE SEGURIDAD IMPORTANTES

LEA Y CONSERVE ESTAS INSTRUCCIONES

Definiciones de seguridad

ADVERTENCIA

Esto indica que pueden producirse la muerte o lesiones graves como resultado de la falta de cumplimiento de esta advertencia.

PRECAUCIÓN

Esto indica que pueden producirse lesiones menores o moderadas como resultado de la falta de cumplimiento de esta advertencia.

AVISO: Esto indica que pueden producirse daños al electrodoméstico o daños materiales como resultado de la falta de cumplimiento de esta recomendación.

Nota: Esto le avisa sobre información y/o consejos importantes.

ADVERTENCIA:

Si no sigue exactamente la información de este manual, pueden producirse un incendio o una descarga que pueden causar daños materiales o lesiones personales.

ADVERTENCIA:

No repare ni reemplace ninguna pieza del electrodoméstico, a menos que se recomiende específicamente en los manuales. La instalación, el servicio técnico o el mantenimiento incorrectos pueden causar lesiones o daños materiales. Consulte este manual para su orientación. Todo servicio técnico debe ser realizado por un técnico calificado.

Seguridad con el manejo del electrodoméstico

No levante el electrodoméstico desde el mango de la puerta. Retire la puerta para que sean más fáciles la manipulación y la instalación. Consulte las instrucciones que figuran en el Manual de uso y cuidado.

La unidad es pesada y se requieren al menos dos personas o un equipo adecuado para trasladarla.

Las superficies ocultas pueden tener bordes filosos. Proceda con cuidado al intentar tomar el electrodoméstico por la parte trasera o desde abajo.

Cómo desembalar el horno

Desembale el horno, retire toda la cinta y el material de embalaje, y examine el horno para verificar si hay algún daño, como abolladuras, roturas en los pestillos de la puerta o rajaduras en la puerta. Notifique al distribuidor de inmediato si el horno está dañado. No instale el horno si está dañado.

Códigos y normas de seguridad

Este electrodoméstico cumple con una o más de las siguientes normas:

- UL 858: Estufas eléctricas de uso doméstico (Household Electric Ranges)
- UL 923: Electrodomésticos de cocción por microondas (Microwave Cooking Appliances)
- UL 507: Norma de seguridad para ventiladores eléctricos (Standard for the Safety of Electric Fans)
- CAN/CSA-C22.2 n.º 113-M1984 Ventiladores (Fans and Ventilators)

Es responsabilidad del propietario y del instalador determinar si se aplican otros requisitos y/o normas en instalaciones específicas.

Seguridad con la electricidad

Antes de enchufar un cable eléctrico, asegúrese de que todos los controles estén en la posición OFF (Apagado).

Si lo requiere el Código Eléctrico Nacional (National Electrical Code) (o el Código Eléctrico Canadiense [Canadian Electrical Code]), este electrodoméstico debe instalarse en un circuito derivado por separado.

Instalador: muestre al propietario la ubicación del disyuntor o del fusible. Márquela para identificarla más fácilmente.

Importante: conserve estas instrucciones para uso del inspector de electricidad local.

Antes de realizar la instalación, apague la alimentación eléctrica en el panel de servicio. Trabe el panel de servicio para impedir que se encienda accidentalmente la alimentación eléctrica.

Consulte la placa de datos para obtener más información. Consulte "Placa de datos" en la sección "Servicio técnico" para conocer la ubicación de la placa de datos.

INSTRUCCIONES DE SEGURIDAD IMPORTANTES

LEA Y CONSERVE ESTAS INSTRUCCIONES

Asegúrese de que el electrodoméstico sea correctamente instalado y conectado a tierra por un técnico calificado. La instalación, las conexiones eléctricas y la conexión a tierra deben cumplir con todos los códigos correspondientes.

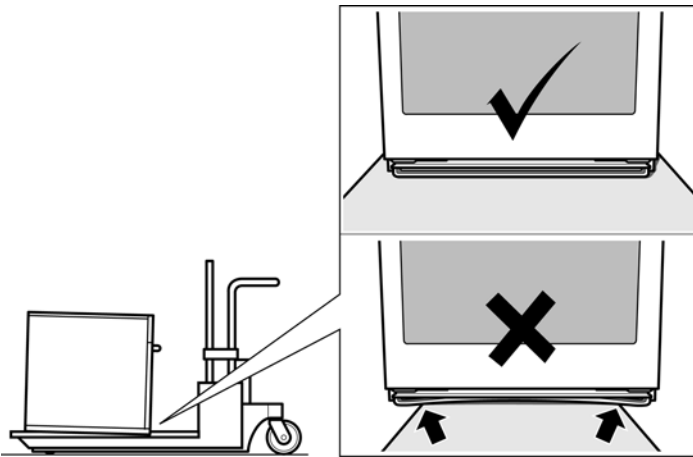
Seguridad del equipo relacionado

Retire toda la cinta y el embalaje antes de usar el electrodoméstico. Destruya el embalaje después de desembalar el electrodoméstico. Nunca deje que los niños jueguen con el material de embalaje.

Nunca modifique ni altere la construcción del electrodoméstico. Por ejemplo, no retire las patas niveladoras, los paneles, las cubiertas de cables ni los soportes/tornillos anticaídas.

Transporte

Para evitar daños al ventilador del horno, utilice el método de transporte que se muestra en la imagen que figura a continuación.



Sostenga la parte inferior del horno de ambos lados al moverlo a la ubicación de instalación. Deje la unidad adherida al palé de envío hasta que se encuentre en frente de la abertura del gabinete, lista para levantarla y colocarla en su lugar.

Preparación

Antes de comenzar

Herramientas y piezas necesarias

- Destornillador con cabeza Phillips.
- Destornillador con cabeza de estrella (T20).
- Cinta métrica.
- Taladro con broca (1/8 pulg.).
- Guantes.

Piezas incluidas

- Tornillos con cabeza Phillips (6).

Información general

Requisitos de alimentación eléctrica

La toma de corriente debe estar correctamente conectada a tierra de acuerdo con todos los códigos correspondientes.

Para una mejor instalación

La manipulación del horno durante la instalación puede resultar difícil si la realizan dos personas. Se recomienda que haya tres o más personas disponibles para ayudar a levantar la unidad y colocarla en su lugar.

Retirar la puerta del horno con bisagras inferiores durante la instalación (para colocar los asideros necesarios y para reducir el peso de la unidad en forma significativa) puede presentar dificultades, a menos que se sigan con cuidado las instrucciones detalladas para retirar la puerta.

Nota: No intente retirar la puerta de las bisagras laterales (algunos modelos).

Tómese el tiempo para leer y seguir las instrucciones proporcionadas para una mejor experiencia de instalación.

Lista de verificación

Utilice esta lista de verificación para controlar que haya completado cada paso del proceso de instalación. Esto puede ayudarlo a evitar errores comunes.

- ___ 1. Antes de instalar el horno, asegúrese de controlar que las dimensiones del gabinete sean adecuadas para su unidad y que se hayan realizado las conexiones eléctricas requeridas.
- ___ 2. Consulte el manual de instalación para obtener información sobre Seguridad, Dimensiones del gabinete, Cómo retirar el embalaje, Instalación eléctrica, Cómo probar la instalación y Servicio al cliente.
- ___ 3. Retire la(s) puerta(s) del horno con bisagras inferiores (no las puertas de apertura lateral) para reducir el peso de la unidad y proporcionar acceso a los asideros a fin de levantarla.
- ___ 4. Mueva el horno y colóquelo en su lugar delante de la abertura del gabinete, y deje la parte inferior del embalaje en la unidad para evitar dañar el piso.
- ___ 5. Si se realiza la instalación de una unidad combinada (horno y microondas, u horno y horno de vapor), complete el ensamblaje antes de instalar la unidad.
- ___ 6. Retire los tornillos con cabeza Torx (tamaño T-20) que mantienen a la unidad sobre la base de la caja (usando un destornillador con cabeza de estrella).
- ___ 7. Levante la unidad con la ayuda de otra persona y colóquela directamente en el recorte del gabinete teniendo cuidado de no apretarse los dedos ni raspase las manos o los brazos. Asegúrese de que el conducto eléctrico llegue al punto de conexión en forma apropiada.
- ___ 8. Deslice la unidad completamente hasta su lugar, asegurándose de direccionar el conducto eléctrico en forma correcta.
- ___ 9. Ajuste el horno a la abertura de los gabinetes con los tornillos que se suministran (usando el destornillador Phillips).
- ___ 10. Reinstale la(s) puerta(s) del horno que retiró en el paso 3 anterior.
- ___ 11. Consulte las instrucciones de instalación completas y siga el resto de los procedimientos mencionados, incluida la realización de una prueba de funcionamiento.
- ___ 12. Todo el material impreso y los accesorios del producto (pueden estar envueltos o en una caja) que pueden venir con el horno.
- ___ 13. **INSTALADOR:** Deje al cliente el paquete de material impreso y los accesorios.

Dimensiones y requisitos de los gabinetes

Los requisitos de los gabinetes varían en función del modelo que se instalará. Consulte la sección “Requisitos de dimensiones de los gabinetes” que se encuentra en la parte posterior de este manual de instalación para obtener los detalles pertinentes a su modelo en particular.

Todos los modelos requieren lo siguiente:

- Un espacio de 1/4 pulg. (6.4 mm) entre el costado del horno y una pared o la puerta de un gabinete adyacentes cuando se instalen al final de una serie de gabinetes.
- La instalación de escuadras de 2 x 4 que se extiendan de adelante hacia atrás a ras de la parte inferior y el costado

de la abertura para brindar soporte al horno. Esta base de soporte debe estar bien asegurada al piso/gabinete y debe estar nivelada.

- La caja de conductos eléctricos debe estar ubicada por encima de la unidad para facilitar la conexión y el servicio técnico de la unidad.
- La base del gabinete debe ser plana y capaz de soportar el peso de su horno cuando esté en uso (varía por modelo hasta 429 lb [195 kg]). Consulte el peso adecuado para su modelo en la sección “Requisitos de dimensiones de los gabinetes” en la parte posterior de este manual de instalación.

Cómo retirar el embalaje

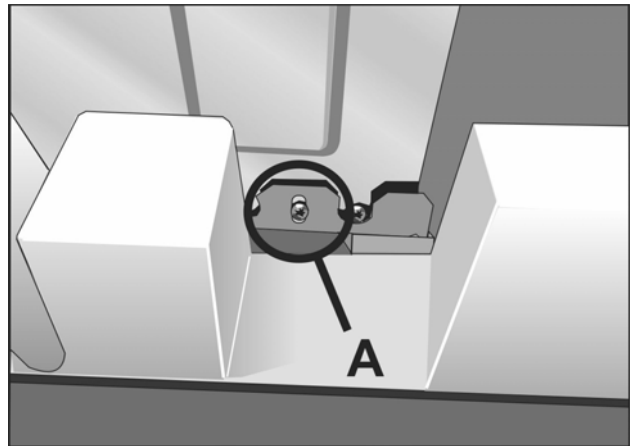
- Corte las correas que se encuentran en la parte exterior de la caja.
- Retire la caja de cartón levantándola y quitándola de la unidad.
- Retire todas las protecciones de cartón y de Styrofoam de la parte superior y lateral.
- Coloque el horno (dejándolo en la base de envío) enfrente del gabinete en el que se instalará.
- Retire todos los accesorios, las rejillas, los materiales de embalaje y el material impreso de la cavidad del horno (para los hornos dobles, retire dichos elementos, si los hay, de las dos cavidades).
- Desatornille la unidad de los soportes del embalaje como se muestra a continuación en “Retiro de los soportes del embalaje”.

Nota: Los tornillos que se encuentran cerca del soporte de montaje de la base tienen cabeza Torx (tamaño T-20). Solo debe retirarse el tornillo que atraviesa el orificio ranurado en el soporte de montaje de los lados izquierdo y derecho de la unidad para levantarla de la base de montaje (el tornillo marcado con un círculo y que se muestra como “A” en la ilustración que figura a continuación).

AVISO

Retire solo un tornillo de cada soporte. Esto liberará el horno de la base de envío. No retire ningún otro tornillo del horno.

Cómo retirar los soportes del embalaje (lados izquierdo y derecho)



Nota:

Los diferentes modelos utilizan materiales de embalaje diferentes. Los soportes reales pueden tener un aspecto diferente. El soporte permanece en la base de embalaje. La unidad debe permanecer en la base de embalaje hasta que esté lista para ser levantada y colocada en el recorte del gabinete.

Preparación del horno

Coloque el horno enfrente del gabinete en el que se instalará para que esté alineado con el recorte del gabinete.

Asegúrese de que se hayan retirado todos los materiales de embalaje de la unidad. Retire también todos los accesorios, las rejillas del horno, el paquete de material impreso y todo material de envío de la parte interior de la cavidad del horno (retírelos de las dos cavidades para un horno doble o un horno combinado).

Instalación

Determine el tipo de instalación

Este manual de instalación proporciona instrucciones para la instalación de hornos simples, hornos dobles y hornos combinados (un horno simple combinado con un horno de microondas o de vapor).

Los hornos autónomos simples y dobles no requieren un preensamblaje. Salvo que esté instalando un horno combinado, salte las instrucciones de preensamblaje de hornos combinados y **vaya directo a “Instalación eléctrica”, que se aplica a todos los hornos.**

Preensamblaje de hornos combinados antes de la instalación

Los hornos combinados (con horno de microondas o de vapor) requieren el ensamblaje de las unidades antes de la instalación de la unidad combinada en el gabinete de pared.

Nota: El horno simple puede instalarse con un horno de vapor o con un horno de microondas. El procedimiento de instalación difiere entre estos dos. Las piezas contenidas en la caja de piezas de tubo cuadrado son comunes a ambas instalaciones.

Piezas proporcionadas

Soporte de conexión universal (2) (en la caja de piezas que se encuentra encima del horno)	
Tornillos (16) (en la bolsa roja, dentro de la caja de piezas que se encuentra encima del horno)	
Tornillos de montaje del horno Se incluyen 8 tornillos para asegurar la moldura del horno al gabinete. Los tornillos se encuentran en una pequeña bolsa de plástico unida a la bolsa del paquete de material impreso.	

Ensamble de corredera de servicio técnico para hornos combinados (2)*

* Esta pieza se encuentra preensamblada en el horno para facilitar la conexión de un microondas.



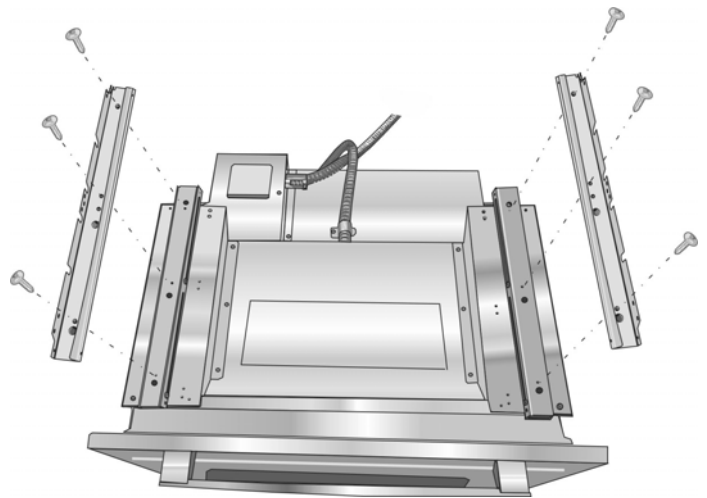
Cómo instalar el horno combinado

Instalación con el horno de microondas

Nota: No coloque el horno en el gabinete de pared hasta después de montar el microondas utilizando los soportes de conexión universales.

1. Los ensambles de corredera de servicio técnico para hornos combinados están conectados al horno con espacios para que entre el microondas.
2. Instale los dos soportes de conexión universales utilizando seis de los tornillos proporcionados. Ajuste los tornillos firmemente, pero no los ajuste en exceso.

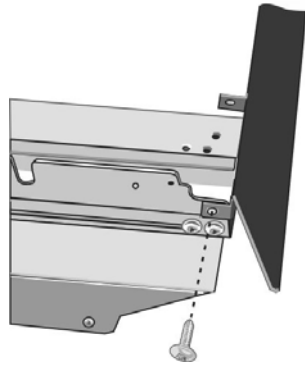
Nota: Los soportes de conexión universales pueden intercambiarse para los lados izquierdo y derecho del horno. Asegúrese de que el borde vertical más alto del soporte esté posicionado fuera del horno.



3. Instale la moldura decorativa.

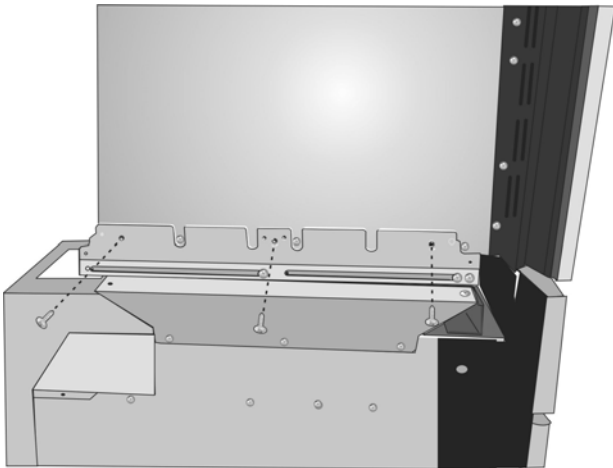
Posicione la pieza de moldura decorativa de modo que las bridas que tienen orificios apunten hacia el lado opuesto de la puerta del horno.

Alinee las bridas externas con la parte exterior de los soportes universales. Ajuste cada una con 1 tornillo en el orificio del extremo del soporte universal. Ajuste los tornillos firmemente, pero no los ajuste en exceso.



4. Coloque el horno de microondas encima de los soportes de conexión universales y ajústelo en su lugar utilizando tres tornillos por lado. Ajuste los tornillos firmemente, pero no los ajuste en exceso.

Nota: Los tornillos existentes que se encuentran en la base del microondas ayudan con la alineación. Al bajar el microondas para colocarlo en su lugar en el soporte de conexión universal, deje que las cabezas de estos tornillos se deslicen en las ranuras, como se muestra en la ilustración que figura a continuación. El tornillo que se encuentra más cerca de la parte delantera del microondas se desliza en la base de la inclinación en la parte delantera del soporte.

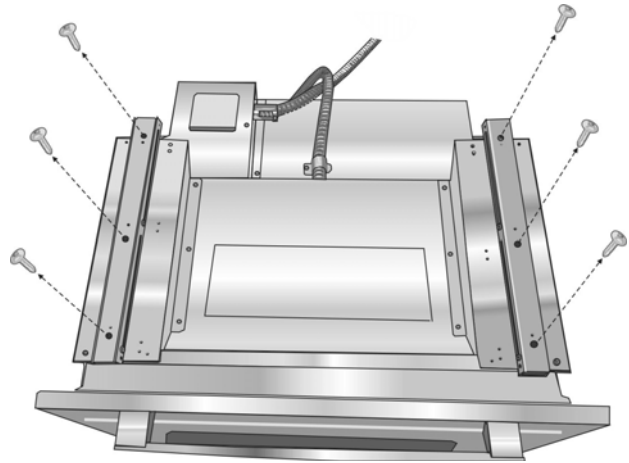


5. Continúe con la instalación de la unidad en las siguientes secciones sobre la conexión eléctrica y la instalación del horno en el gabinete de pared.

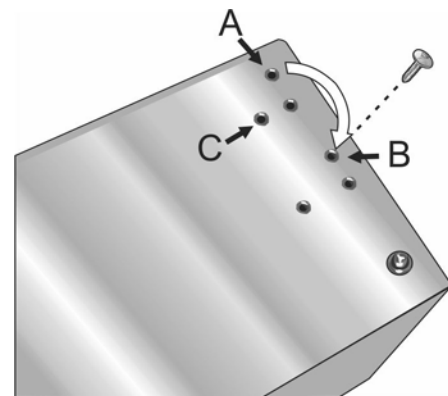
Instalación con el horno de vapor

Nota: No coloque el horno en el gabinete de pared hasta después de montar el horno de vapor utilizando los soportes de conexión universales.

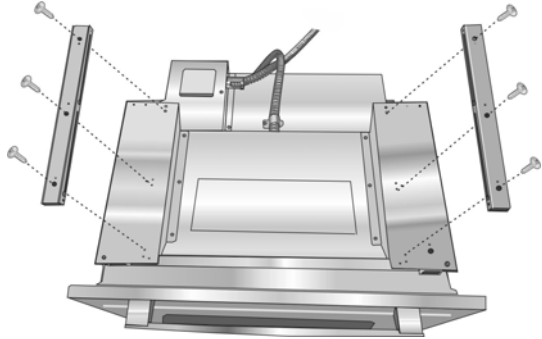
1. Retire los seis tornillos que sostienen los ensamblajes de corredera de servicio técnico para hornos combinados en la escuadra de soporte. Utilice la punta de un destornillador de berbiquí magnético para alcanzar los tornillos a través de los orificios grandes en las partes superiores de las correderas.



2. El tornillo que se encuentra en la posición A (más cerca del borde interior, cerca del panel de control) debe moverse para permitir que se posicione el soporte universal allí. Retire el tornillo interno (A) de la escuadra de soporte izquierda y vuelva a introducirlo en el tercer orificio (B) desde el borde interno de la escuadra de soporte. Repita los pasos para la escuadra de soporte derecha.



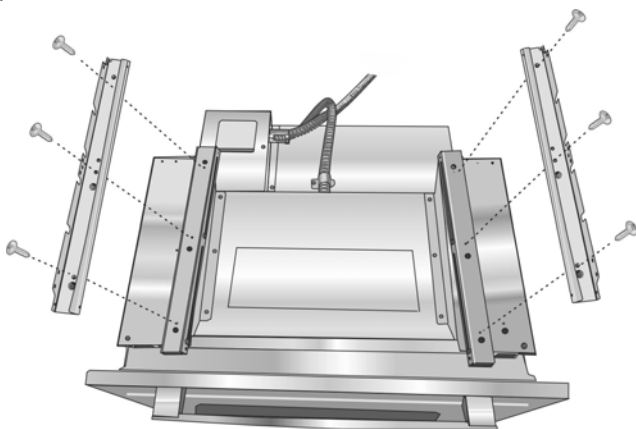
3. Vuelva a conectar los ensambles de corredera utilizando los orificios que se encuentran cerca del borde interior de la escuadra de soporte. Alinee el ensamble de corredera en forma paralela al borde del soporte e introduzca el primer tornillo en el orificio (C). Introduzca los tres tornillos de cada ensamble de corredera. Ajuste los tornillos firmemente, pero no los ajuste en exceso.



Nota: Cuando se utilizan los orificios correctos, la parte delantera del ensamble de corredera se extenderá apenas pasando el borde de la barra de soporte horizontal. El ensamble de corredera estará, aproximadamente, a 1/8 pulg. (3 mm) del borde interior de la escuadra de soporte.

4. Instale los dos soportes de conexión universales en los ensambles de corredera utilizando los tornillos que se proporcionan. Ajuste los tornillos firmemente, pero no los ajuste en exceso.

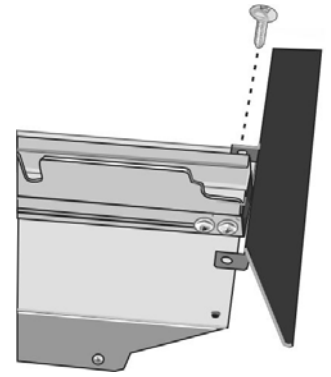
Nota: Los soportes de conexión universales pueden intercambiarse para los lados izquierdo y derecho del horno. Asegúrese de que el borde vertical más alto del soporte se posicione fuera del horno.



5. Instale la moldura decorativa.

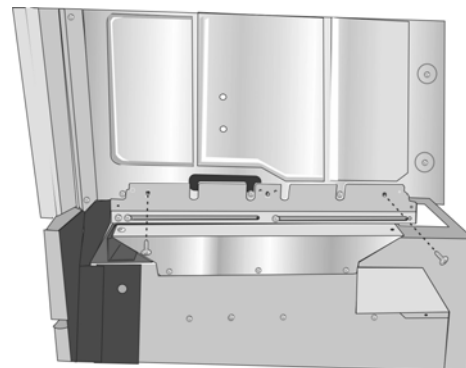
Posicione la pieza de moldura decorativa de modo que las bridas que tienen orificios apunten hacia el lado opuesto de la puerta del horno.

Alinee las bridas internas con la parte interior de los soportes universales. Ajuste cada una con un tornillo en el orificio del extremo del soporte universal. Ajuste los tornillos firmemente, pero no los ajuste en exceso.



6. Coloque el horno de vapor encima de los soportes de conexión universales y ajústelo en su lugar utilizando dos tornillos por lado. Ajuste los tornillos firmemente, pero no los ajuste en exceso.

Nota: Los tornillos existentes que se encuentran en la base del horno de vapor ayudan con la alineación. Al bajar el horno de vapor para colocarlo en su lugar en el soporte de conexión universal, deje que las cabezas de estos tornillos se deslicen en las ranuras, como se muestra en la ilustración que figura a continuación. El tornillo que se encuentra más cerca de la parte delantera del horno de vapor se desliza en la base de la inclinación en la parte delantera del soporte.



7. Continúe con la instalación de la unidad en las siguientes secciones sobre la conexión eléctrica y la instalación del horno en el gabinete de pared.

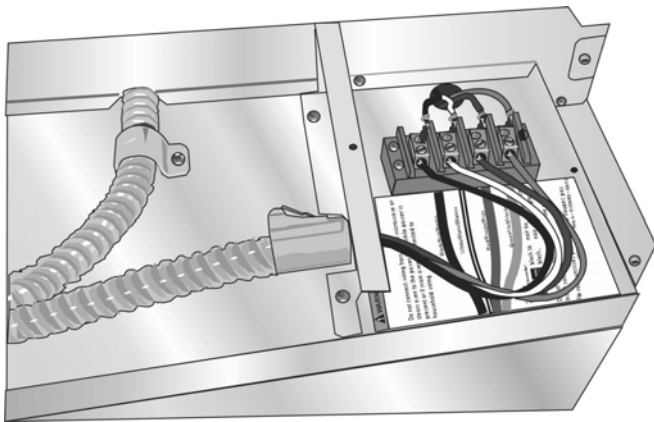
Conexión del conducto eléctrico del horno de microondas o del horno de vapor al horno simple

Nota: Si se realiza la instalación del horno con un horno de microondas o de vapor montados como unidad combinada, el cable de alimentación eléctrica del horno de microondas o del horno de vapor debe estar adecuadamente conectado a la caja de empalme montada en el horno. Esto debe realizarse antes de suministrar energía eléctrica al horno.

⚠ ADVERTENCIA

Desconecte el horno de la fuente de alimentación eléctrica antes de conectar el cableado del horno de microondas o del horno de vapor. No hacerlo podría producir una descarga eléctrica, y lesiones o la muerte.

1. Asegúrese de que no se suministre energía eléctrica al horno.
2. Retire la cubierta de la caja de empalme montada en el horno (ubicada en la parte trasera superior del horno).
3. Retire la tapa del orificio de acceso al conducto que se encuentra al costado de la caja de empalme montada en el horno.



4. Guíe los cuatro cables del cable de conductos que proviene del horno de microondas o de vapor a través del orificio que se encuentra en la caja de empalme montada en el horno.
5. Calce a presión el conector de conductos en el orificio presionándolo en su lugar hasta que haga un clic.
6. Siga la etiqueta de diagrama de cableado, y haga coincidir y conecte cada cable por color a los cables conectados al bloque de cableado que se encuentra dentro de la caja de empalme montada en el horno. Empuje el extremo desnudo del cable hasta que quede ajustado en el bloque de cableado; luego, ajuste el tornillo de retención sobre cada cable. Ajústelo firmemente, pero no lo ajuste en exceso.

7. Vuelva a colocar la cubierta de la caja de empalme montada en el horno y ajuste los dos tornillos que la mantienen en su lugar. Ajuste los tornillos firmemente, pero no los ajuste en exceso.
8. Consulte la sección “Conexión eléctrica”, a fin de obtener más información para completar la conexión eléctrica de la unidad combinada a la fuente de alimentación principal.

Instalación eléctrica

Todos los hornos modelo que figuran en la portada de este manual de instrucciones de instalación presentan una clasificación doble, están diseñados para conectarse a una fuente de alimentación monofásica de 208 V o 240 V CA, de 60 Hz, de 4 cables.

Modelo	Circuito requerido	
	208 V, 60 Hz	240 V, 60 Hz
HBN54, HBN84, HBL53, HBL54, HBL84, HBLP4	30 A	
HBL55	30 A	40 A
HBN56, HBL56, HBL57, HBN86, HBL86, HBL87, HBLP6, HBLP7, HSLP7	40 A	

El suministro eléctrico debe ser monofásico de 4 cables de CA. Instale una caja de conductos adecuada (no se proporciona). Debe utilizarse un conector de conductos incluido en el listado de UL de tamaño adecuado para conectar correctamente el conducto a la caja de empalme.

Importante: Es posible que los códigos locales varíen; la instalación, las conexiones eléctricas y la conexión a tierra deben cumplir con todos los códigos locales correspondientes.

Si los códigos locales permiten la conexión a tierra a través del conductor neutro del suministro eléctrico, conecte el cable blanco neutro y el cable verde de conexión a tierra del horno al cable blanco neutro de suministro eléctrico.

Importante: Si ha adquirido un horno combinado (uno que incluya un horno de microondas o de vapor sobre el horno simple), consulte la sección que antecede, “Conexión del conducto eléctrico del horno de microondas o del horno de vapor al horno simple”, que muestra la conexión eléctrica de los componentes de la unidad combinada.

⚠ ADVERTENCIA

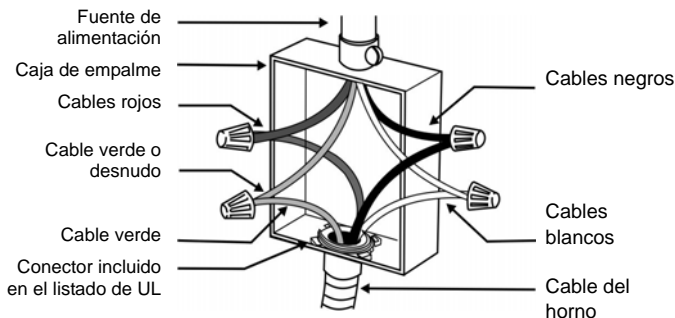
Complete la conexión del conductor de horno de microondas o de vapor al horno simple antes de continuar con la conexión eléctrica de la unidad.

Conexión eléctrica a la fuente de alimentación principal

Se prefiere la conexión de cuatro cables, pero, si lo permiten los códigos locales, también es aceptable la conexión de tres cables.

Conexión de cuatro cables

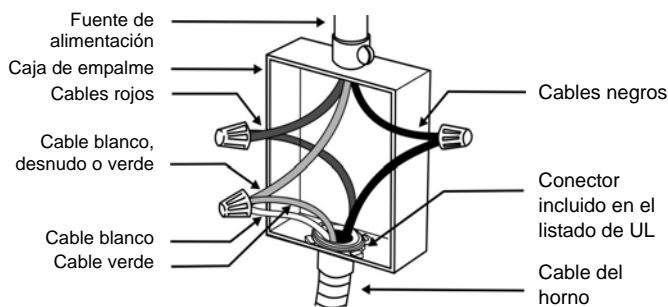
Conector neutro sin conexión a tierra



- Conecte el cable rojo del horno al cable rojo del suministro eléctrico (cable vivo).
- Conecte el cable negro del horno al cable negro del suministro eléctrico (cable vivo).
- Conecte el cable blanco neutro del horno al cable blanco neutro del suministro eléctrico (no el desnudo ni el verde de conexión a tierra).
- Conecte el cable verde de conexión a tierra del horno al cable desnudo o verde de conexión a tierra del suministro eléctrico.

Conexión de tres cables

Conductor neutro de conexión a tierra



- Conecte el cable rojo del horno al cable rojo que se encuentra en la caja de empalme.
- Conecte el cable negro del horno al cable negro que se encuentra en la caja de empalme.

- Conecte el cable verde de conexión a tierra y el cable blanco del horno al cable blanco, verde o desnudo neutro que se encuentra en la caja de empalme.

El cable de conductos gira cuando está conectado al horno. Rote el cable de conductos hacia arriba (o hacia abajo) y dirijalo a través del orificio preparado en el gabinete para conectarlo a la caja de empalme.

Para mantener la posibilidad de realizar servicio técnico, el conducto flexible no debe cortarse y debe direccionarse para permitir el retiro temporal del horno.

Instalación del horno en el gabinete de pared

AVISOS

Antes de instalar el horno, asegúrese de verificar las dimensiones del gabinete y las conexiones eléctricas. Verifique que la abertura del gabinete esté nivelada y a plomo para la instalación correcta.

Las unidades combinadas (hornos con horno de microondas o de vapor) tienen instrucciones de instalación adicionales. Consulte la sección que antecede, "Preensamblaje de hornos combinados antes de la instalación".

Para una mejor instalación

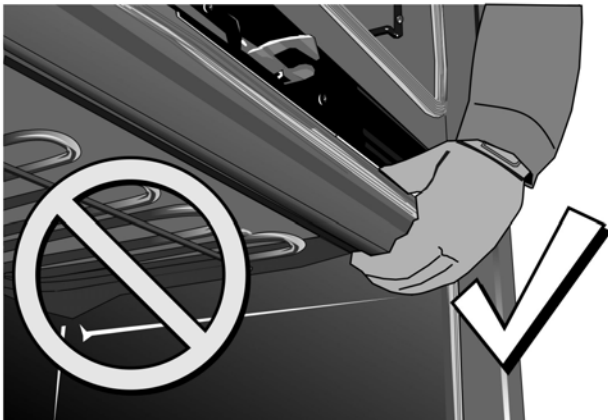
La manipulación de los hornos dobles y combinados durante la instalación puede resultar difícil si la realizan dos personas. Se recomienda que haya tres o más personas disponibles para ayudar a levantar la unidad y colocarla en su lugar. También se recomienda retirar la puerta del horno (únicamente, los modelos con bisagras inferiores) para ayudar a reducir el peso de la unidad y proporcionar un acceso más fácil a los asideros dentro del horno.

Precaución: Se recomienda usar guantes y mangas largas para proteger las manos y los antebrazos de la abrasión y de posibles raspaduras durante el proceso de levantamiento. También se recomienda quitarse los relojes de mano y las alhajas, y usar calzado de trabajo durante la instalación para proteger los pies.

Punto de levantamiento interno correcto del horno

Aviso: NO intente levantar la unidad sujetando el elemento superior del horno.

Hay un reborde en la parte delantera superior de la cavidad del horno. Levante la unidad sujetando este reborde con una mano mientras coloca la otra mano en la parte trasera de la unidad (para las personas que ayuden a levantar la unidad desde los lados). Si una tercera persona ayuda a levantar la unidad desde la parte delantera, debe levantarla sujetando esta área de reborde con las dos manos.



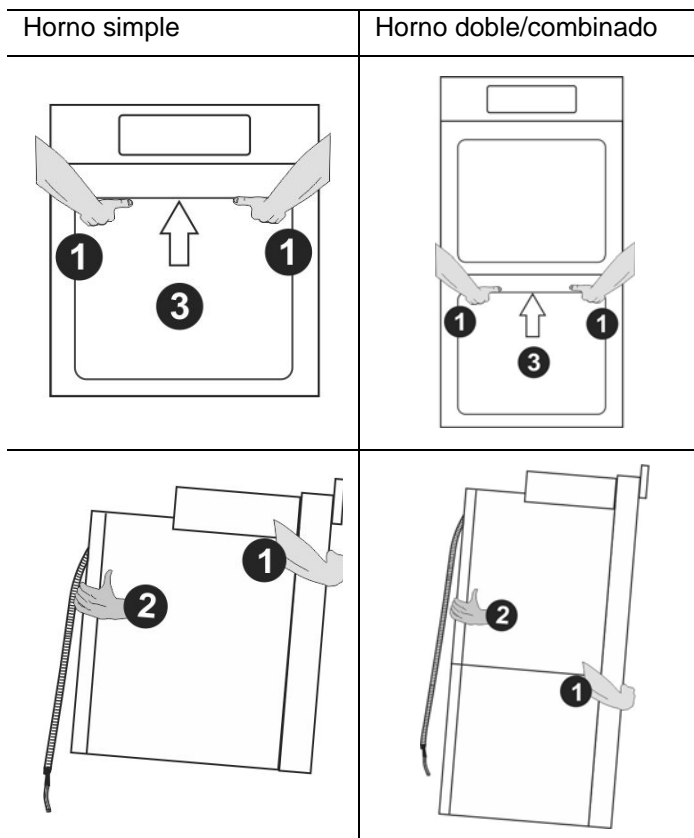
Las recomendaciones de levantamiento varían según el tipo de puerta del horno

Puerta con bisagras inferiores

Ubicaciones de levantamiento (con la[s] puerta[s] retirada[s])

Los puntos de levantamiento (1) que se encuentran en la parte delantera de la unidad son para levantarla desde los lados. El punto de levantamiento (3) que se encuentra en la parte delantera de la unidad es para que un tercero ayude a levantarla.

El punto de levantamiento (2) que se encuentra en la parte trasera de la unidad muestra la ubicación de la mano opuesta para las personas que ayuden a levantar la unidad desde los lados. Ajuste la ubicación según sea necesario para facilitar el levantamiento. Utilice guantes y una camisa de mangas largas, y evite los bordes filosos para reducir el riesgo de que se produzcan cortes o abrasiones en los brazos o las manos.

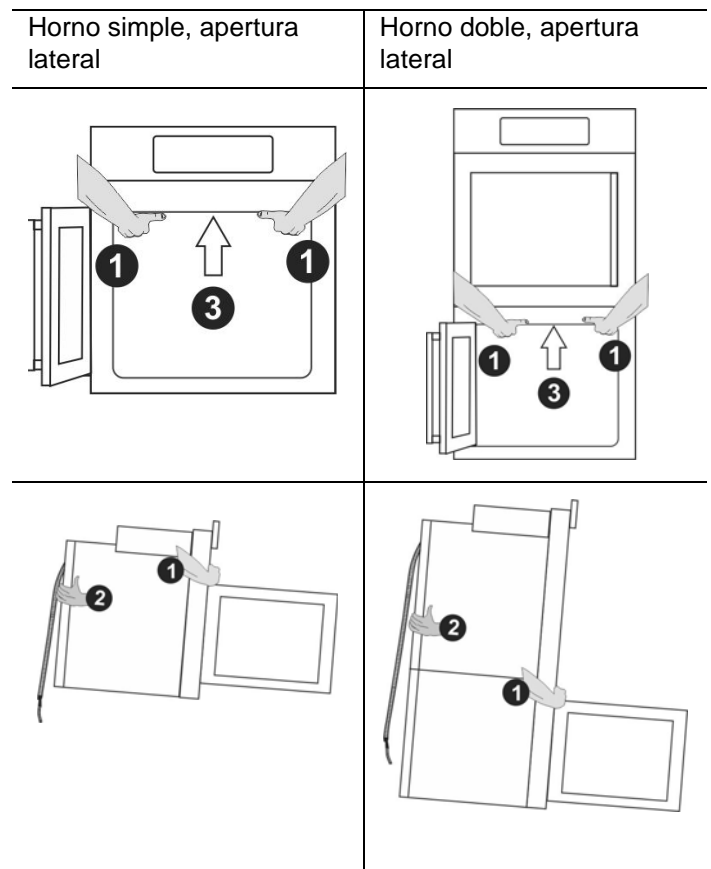


Puerta con bisagras laterales

Ubicaciones de levantamiento (con la puerta inferior abierta de 90° a 110°)

Los puntos de levantamiento (1) que se encuentran en la parte delantera de la unidad son para levantarla desde los lados. El punto de levantamiento (3) que se encuentra en la parte delantera de la unidad es para que un tercero ayude a levantarla.

El punto de levantamiento (2) que se encuentra en la parte trasera de la unidad muestra la ubicación de la mano opuesta para las personas que ayuden a levantar la unidad desde los lados. Ajuste la ubicación según sea necesario para facilitar el levantamiento. Utilice guantes y una camisa de mangas largas, y evite los bordes filosos para reducir el riesgo de que se produzcan cortes o abrasiones en los brazos o las manos.



Cómo instalar el horno

⚠ ADVERTENCIA

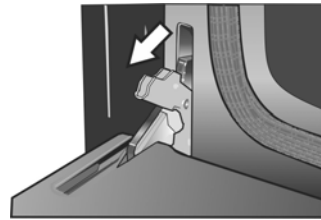
- Asegúrese de que el horno esté frío y de que la alimentación eléctrica esté apagada antes de retirar la puerta. No hacerlo podría producir quemaduras.
- La puerta del horno es pesada y frágil. Use las dos manos para retirar la puerta del horno. El frente de la puerta es de vidrio. Manipúlela con cuidado para que no se rompa.
- Tome la puerta del horno solamente por los costados. No la tome de la manija, porque puede deslizarse de la mano, y causar daños o lesiones.
- No tomar la puerta del horno con firmeza y correctamente podría ocasionar lesiones personales o daños al producto.
- Para evitar lesiones cuando se cierra la bisagra, asegúrese de que ambas palancas estén firmemente en su lugar antes de retirar la puerta. Tampoco abra ni cierre la puerta forzándola; la bisagra se puede dañar y ocasionar lesiones.
- No apoye la puerta retirada sobre objetos filosos ni puntiagudos ya que puede romperse el vidrio. Apóyela sobre una superficie plana y lisa de modo que no pueda caerse.

Solo para las puertas con bisagras inferiores; retirarlas antes de la instalación

Importante: No intente retirar la puerta con bisagras laterales (las puertas con bisagras laterales se encuentran solo en algunos modelos).

Los hornos con **puerta con bisagras inferiores** permiten retirar la(s) puerta(s) del horno antes de levantar la unidad para colocarla en su lugar. Cada puerta pesa, aproximadamente, 40 libras (18.1 kg). Retirar la puerta y volver a colocarla son procedimientos simples de rutina. Retirar la puerta aliviana significativamente la unidad y hace que sea más fácil tener acceso al asidero recomendado que se encuentra dentro de la cavidad del

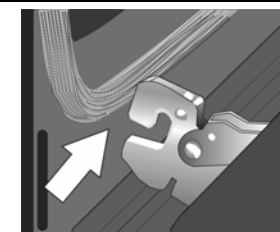
horno. Consulte las instrucciones que figuran a continuación.



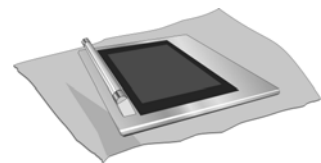
1. Asegúrese de leer todas las advertencias y precauciones del manual de instalación respecto del retiro de la puerta antes de intentar retirarla.
2. Abra la puerta por completo.
3. Lleve las palancas de retención que se encuentran en las bisagras hacia usted.



4. Sujetando la puerta firmemente de ambos lados con las dos manos, cierre la puerta suavemente hasta que haga tope contra las palancas de retención, aproximadamente, a 30° de la posición cerrada.



5. Levante la puerta cuidadosamente y retírela de las ranuras de las bisagras. Sujétela con firmeza; la puerta es pesada.



6. Coloque la puerta en una ubicación conveniente y estable hasta que esté listo para instalarla. Apoye la puerta en una toalla o en un trozo de relleno de espuma de protección para evitar que se produzcan daños a la puerta o al piso.

Colocación del horno en la abertura del gabinete; todos los hornos

⚠ PRECAUCIÓN

Para evitar dañar la puerta, no levante, jale ni empuje la unidad durante la instalación usando el mango de la puerta del horno como punto de sujeción.

Se recomienda usar guantes y mangas largas para proteger las manos y los antebrazos de la abrasión y de posibles raspaduras durante el proceso de levantamiento. También se recomienda quitarse los relojes de mano y las alhajas, y usar calzado de trabajo durante la instalación para proteger los pies.

Al levantar la unidad y colocarla en su lugar, evite tomar el elemento superior para evitar dañarlo. Consulte la siguiente ilustración para obtener el punto de levantamiento correcto para un horno doble con puertas con bisagras inferiores habiendo retirado la puerta inferior. Esta ilustración muestra una vista detallada de la cavidad del horno. Observe la ubicación del reborde que se encuentra dentro de la parte superior de la cavidad. Esta es la parte que se debe sujetar desde la parte frontal al levantar el horno.

Para su tipo particular de horno, consulte la sección anterior "**Las recomendaciones de levantamiento varían según el tipo de puerta del horno**" para obtener los puntos de levantamiento.


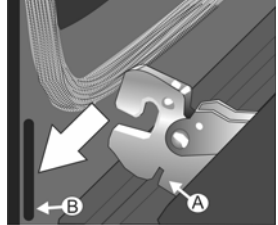
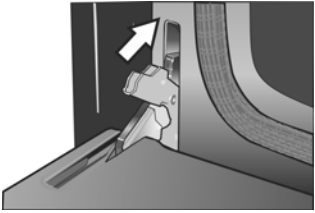


Cómo instalar el horno dentro del gabinete (todos los hornos)

1. La unidad y el embalaje de su parte inferior (base de madera y Styrofoam) deben posicionarse cerca de la abertura del gabinete y delante de esta antes de comenzar a levantar la unidad y colocarla en su lugar.
2. Levante o deslice la unidad y colóquela dentro del recorte del gabinete, de modo que evite que la base de la unidad entre en contacto con el piso.
3. Verifique que el cable de conductos no caiga detrás de la unidad durante la instalación. Puede resultar útil hacer pasar el conducto al área a la cual se conectará (por ejemplo, un gabinete superior o adyacente) y encinte el extremo, de modo que no se salga mientras se desliza la unidad en su lugar.
4. Dirija la unidad en forma recta hacia atrás y colóquela dentro del recorte del gabinete.
Nota: Tenga cuidado de no plisar el conducto flexible entre el horno y la pared trasera del gabinete. Si es necesario, dirija el conducto flexible hacia la pared o hacia el orificio de acceso al gabinete para que este no impida que la unidad pueda empujarse completamente dentro de la abertura del gabinete. El horno debe estar derecho y nivelado, no torcido.
5. Empuje la unidad en forma recta hacia adentro hasta que la moldura del horno esté a ras de la parte delantera de la moldura del gabinete.
6. Instale los tornillos suministrados a través de los orificios para colada en la moldura. (2 tornillos para hornos simples, 4 tornillos para hornos dobles/ combinados).

Solo para hornos con puertas con bisagras inferiores

Cómo reinstalar las puertas del horno:

	<ol style="list-style-type: none"> 1. Sujete la puerta firmemente con las dos manos. 2. Sujete la puerta a un ángulo de 30° de la posición cerrada e inserte las bisagras en las ranuras. Es posible que necesite balancear la puerta hacia adelante y hacia atrás levemente para asentar los apoyos de la bisagra.
	<ol style="list-style-type: none"> 3. Es posible que deba retirar y volver a colocar la puerta hasta que las bisagras se asienten correctamente en las ranuras.
	<ol style="list-style-type: none"> 4. Abra la puerta al máximo para que se vean las bisagras, las palancas de retención y las ranuras. 5. Empuje las palancas de retención hacia adelante y abajo hasta que queden asentadas en el soporte. 6. Cierre y abra la puerta despacio para asegurarse de que esté colocada en forma correcta y firme. La puerta debe estar derecha, no torcida.

Solo para hornos con puertas con bisagras laterales

Alineación de la puerta con bisagras laterales

Nota: Alinee solo las puertas del horno con bisagras laterales después de que el horno esté completamente instalado en el gabinete.



Fig. A

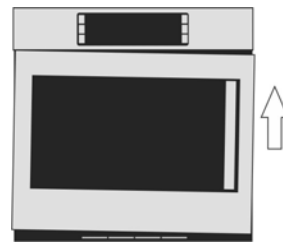
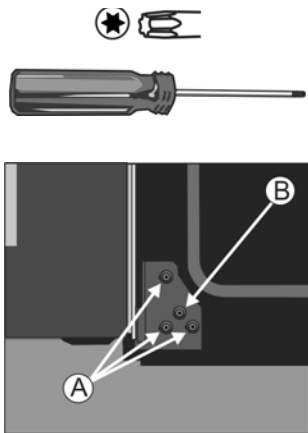


Fig. B

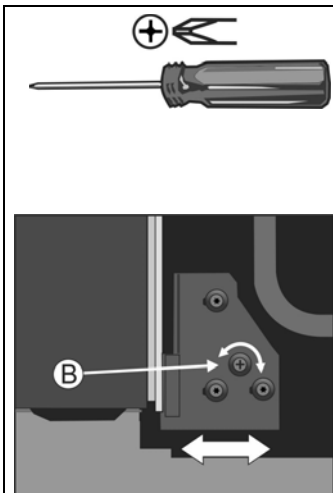
1. Verifique que las puertas del horno con bisagras laterales estén adecuadamente alineadas. La puerta debe cerrarse sola suavemente cuando el empujador se engancha con el rodillo a medida que se cierra la puerta.
2. Si está demasiado alta (Fig. A: la puerta debe moverse hacia abajo del lado del pestillo), sentirá interferencia entre el empujador y el gancho receptor.
3. Si está demasiado baja (Fig. B: la puerta debe moverse hacia arriba del lado del pestillo), sentirá un golpe cuando el empujador entre en contacto con el rodillo de realineación. Consejo: El espacio que se encuentra entre la parte superior de la puerta del horno cerrada y el panel de control (o la puerta superior, para las cavidades inferiores de los hornos dobles) debe ser bastante uniforme de un lado al otro.

Procedimiento de alineación de la puerta con bisagras laterales



1. Abra la puerta hasta, aproximadamente, 135°.
2. Utilizando un destornillador con cabeza de estrella Torx de tamaño T-20, afloje de 1 a 2 vueltas completas los 3 tornillos (A) de la bisagra inferior.

Nota: Todo el ajuste se realiza solo con la bisagra inferior. La bisagra superior está fija en su lugar y no puede ajustarse.



3. Utilizando un destornillador con cabeza Phillips n.º 2, gire la leva (B) hacia la derecha o hacia la izquierda para ajustar la posición de la bisagra en la dirección deseada.

Nota: Un movimiento de la bisagra de 1 mm (hacia la izquierda o hacia la derecha) moverá la puerta arriba o abajo aproximadamente 1.5 mm en el gancho de la puerta.

4. Vuelva a ajustar los tornillos antes de cerrar la puerta para probarla. Tenga cuidado de no ajustarlos en exceso.
5. Verifique que la puerta esté adecuadamente alineada. Repita el procedimiento de ajuste según sea necesario.

Guía de resolución de problemas de abertura/cierre de la puerta con bisagras laterales

Observación principal	Observaciones adicionales	Causa:	Solución
La puerta no se cierra sola y también resulta difícil de abrir.	Parece que el borde lateral de la parte interior de la puerta (del lado del mango de la puerta) hace contacto con la moldura lateral de la unidad.	La instalación hace que la moldura lateral esté demasiado metida hacia adentro.	Verifique la instalación de la unidad en el gabinete. Intente mover la unidad en el gabinete hacia el lado de las bisagras lo máximo posible para permitir que se abra el lado de la moldura que está interfiriendo. Podría intentar también ajustar la ubicación de los tornillos de la moldura lateral para mantener la moldura alejada de la puerta. Vuelva a verificar la abertura del gabinete para asegurarse de que no sea demasiado estrecha. Amplíe el recorte según sea necesario.
La puerta no se mantiene cerrada.	Se requiere muy poca fuerza para abrir la puerta.	El mecanismo interno del gancho de la puerta se activó accidentalmente mientras la puerta estaba abierta.	Para restablecer el mecanismo, cierre la puerta por completo y, mientras está cerrada, empuje firmemente el mango de la puerta hasta que se restablezca el mecanismo. Es posible que se requiera un empujón firme. Abra para probarla.
La puerta no se cierra suavemente sobre el empujador. Una vez cerrada, la puerta se abre sin problemas.	Al cerrar la puerta sobre el empujador, la puerta se levanta hacia arriba. Sentirá un leve golpe a medida que el rodillo (del lado interno de la puerta) golpea la punta del empujador y levanta la puerta. Si la puerta debe levantarse sustancialmente, esta ya no se cerrará sola, y es posible que se requiera ayuda para cerrarla por completo.	La alineación de la puerta es demasiado baja para que se enganche adecuadamente con el empujador. Consulte la Figura B de las instrucciones de alineación de la puerta con bisagras laterales.	Consulte el procedimiento de alineación de la puerta con bisagras laterales para levantar el lado del mango de la puerta hasta que la puerta se cierre suavemente. Debería abrirse suavemente y cerrarse sola suavemente sin que se escuche ni se sienta interferencia.
La puerta no se cierra suavemente sobre el empujador. Una vez cerrada, también es posible que parezca que la puerta se traba mientras se tira de la puerta para abrirla.	Mientras intenta abrir la puerta desde la posición cerrada, usted siente una interferencia que engancha la puerta y es posible que impida que se abra. Es posible que sienta una interferencia similar al cerrarla.	La alineación de la puerta es demasiado alta para que se enganche adecuadamente con el empujador. Consulte la Figura A de las instrucciones de alineación de la puerta con bisagras laterales.	Para abrir una puerta que se traba, aplique presión hacia abajo sobre el mango mientras tira de esta. Consulte el procedimiento de alineación de la puerta con bisagras laterales para bajar el lado del mango de la puerta, hasta que la puerta se cierre suavemente. Debería abrirse suavemente y cerrarse sola suavemente sin que se escuche ni se sienta interferencia.

Prueba de funcionamiento

1. Encienda la alimentación con el disyuntor.
2. Pruebe el modo de horno.
Seleccione el modo **BAKE** (Hornear). Consulte el Manual de uso y cuidado para obtener instrucciones detalladas de operación.
3. Verifique que se encienda la luz del horno y que el horno comience a precalentar.
4. Pruebe la traba de la puerta.
Configure el modo **SELF CLEAN** (Autolimpieza). Confirme que se trabe la puerta cuando aparece el ícono de traba en la pantalla.
5. Si se realiza la instalación de un horno doble, pruebe el segundo horno también.
6. Si alguna de las pruebas no resulta como se explicó anteriormente, comuníquese con el servicio técnico de Bosch para obtener asistencia. De lo contrario, la instalación está completa en este momento.

Antes de llamar al servicio técnico

Para obtener información sobre resolución de problemas, consulte el Manual de uso y cuidado. Consulte la Declaración de garantía limitada del producto en el Manual de uso y cuidado.

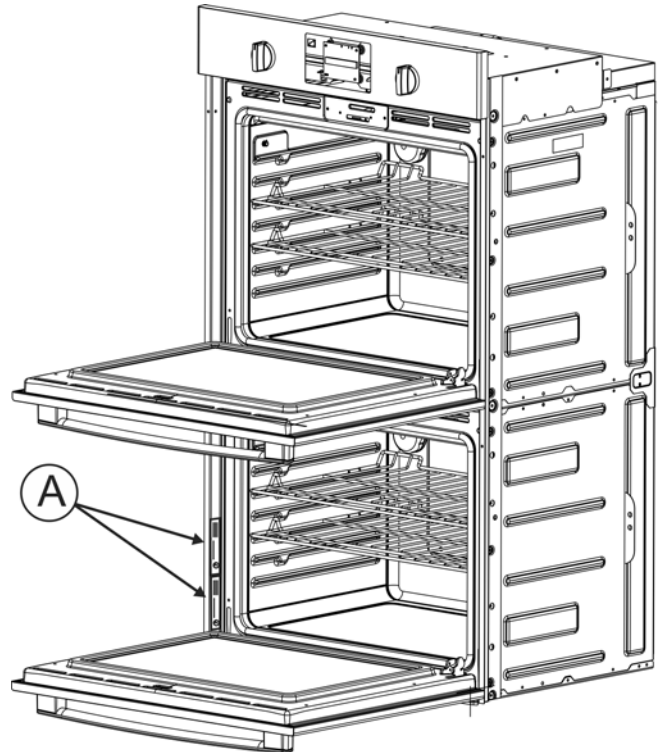
Para comunicarse con un representante de servicio técnico, consulte la información de contacto que aparece en el frente del Manual de uso y cuidado. Cuando llame, tenga a la mano la información impresa en la placa de datos de su producto.

Placa de datos

La placa de datos muestra el modelo y el número de serie. Al solicitar servicio técnico, consulte la placa de datos del electrodoméstico. La ubicación de la placa de datos varía en función del modelo de horno y el tipo de bisagras de la puerta.

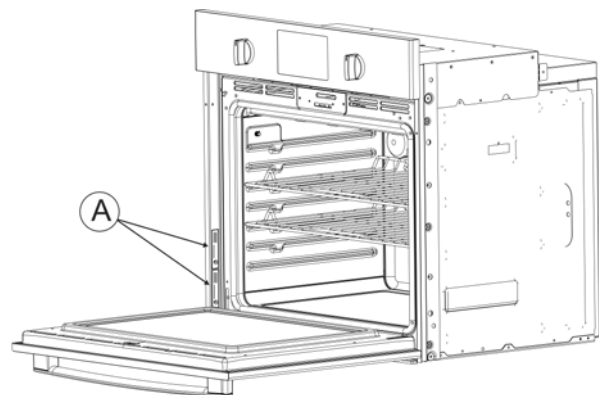
Hornos dobles, bisagras inferiores

Nota: Las placas de capacidad nominal (A) se encuentran del lado izquierdo de la moldura de la puerta de la cavidad del horno inferior.



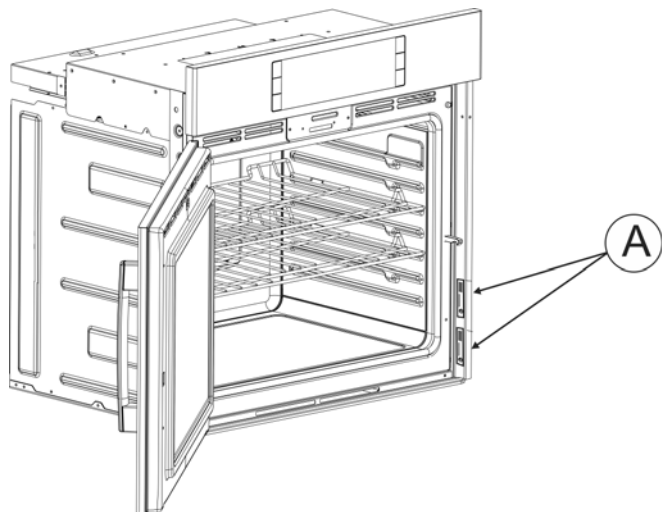
Hornos simples, bisagras inferiores

Nota: Las placas de capacidad nominal (A) se encuentran del lado izquierdo de la moldura de la puerta.



Hornos simples, bisagras laterales

Nota: Las placas de capacidad nominal (A) se encuentran enfrente de la bisagra de la puerta. Para las puertas con bisagras del lado izquierdo, las placas de capacidad nominal se encontrarán en la moldura de la puerta, del lado derecho de la puerta. Para las puertas con bisagras del lado derecho, las placas de capacidad nominal se encontrarán en la moldura de la puerta, del lado izquierdo de la puerta.



Hornos dobles, bisagras laterales

Nota: Las placas de capacidad nominal se encuentran enfrente de la bisagra de la puerta en la cavidad del horno inferior.

Requisitos de dimensiones de los gabinetes

Es una buena práctica, cuando se instala un horno al final de una serie de gabinetes, adyacente a una pared o puerta de gabinete perpendiculares, dejar un espacio de, por lo menos, 1/4 pulg. (6 mm) entre el costado del horno y la pared/puerta.

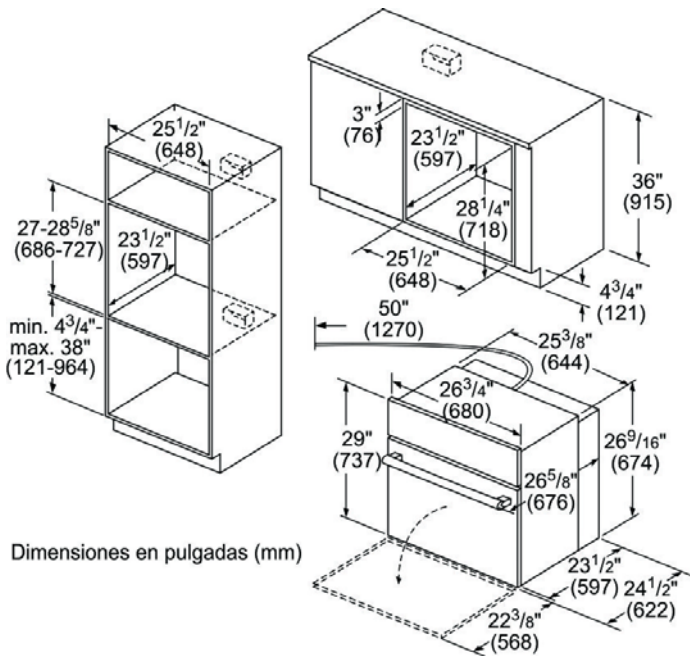
Para brindar soporte al horno, instale escuadras de 2 x 4 que se extiendan de adelante hacia atrás a ras de la parte inferior y el costado de la abertura. La base de soporte debe estar bien asegurada al piso/gabinete y nivelada.

Las cajas de empalme pueden estar ubicadas en cualquier lugar al alcance del cable de alimentación del horno.

Dimensiones para hornos simples de 27 pulg.

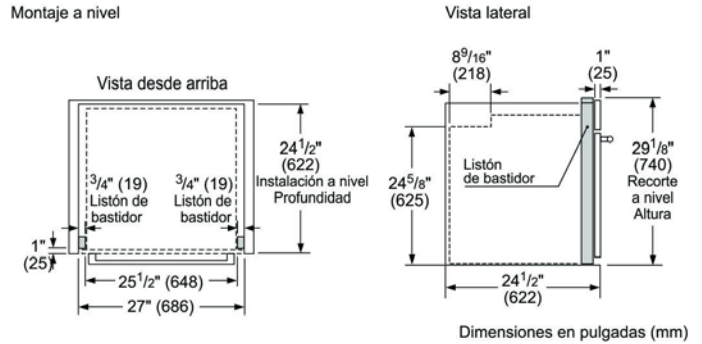
La abertura del gabinete debe estar a plomo, y la base debe estar plana y nivelada, y debe ser capaz de soportar un peso de, al menos, 193 lb (87 kg).

Instalación tradicional, en el gabinete y debajo de la superficie de trabajo del horno simple de 27 pulg.



Instalación con montaje a ras del horno simple de 27 pulg.

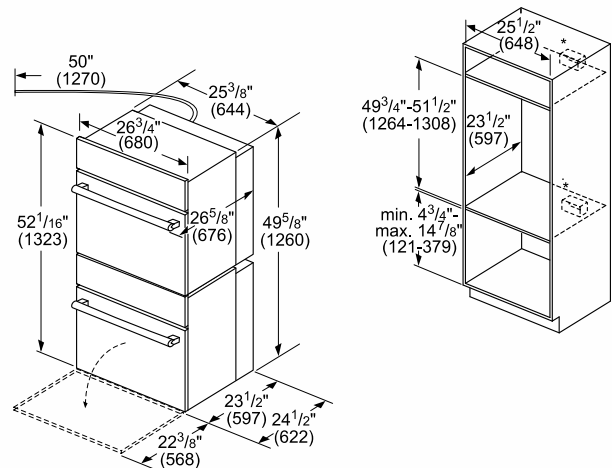
La instalación a ras (montaje en pared y debajo de la superficie de trabajo) requiere que se adhieran dos listones laterales dentro del marco del gabinete, empotrados desde la parte delantera.



Dimensiones para hornos dobles de 27 pulg.

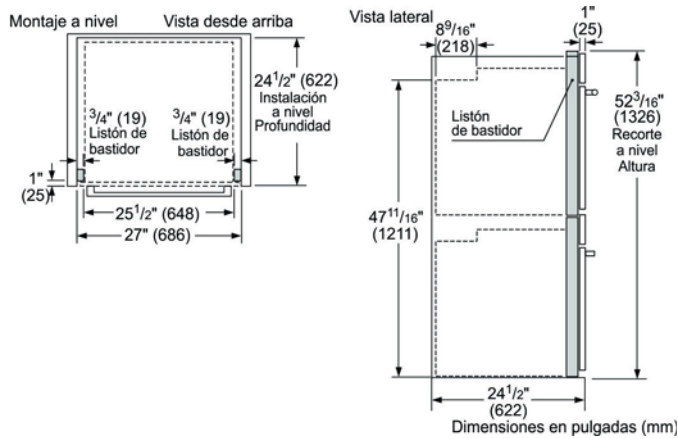
La abertura del gabinete debe estar a plomo, y la base debe estar plana y nivelada, y debe ser capaz de soportar un peso de, al menos, 361 lb (164 kg).

Instalación tradicional del horno doble de 27 pulg.



Instalación con montaje a ras del horno doble de 27 pulg.

La instalación a ras requiere que se adhieran dos listones laterales dentro del marco del gabinete, empotrados desde la parte delantera.

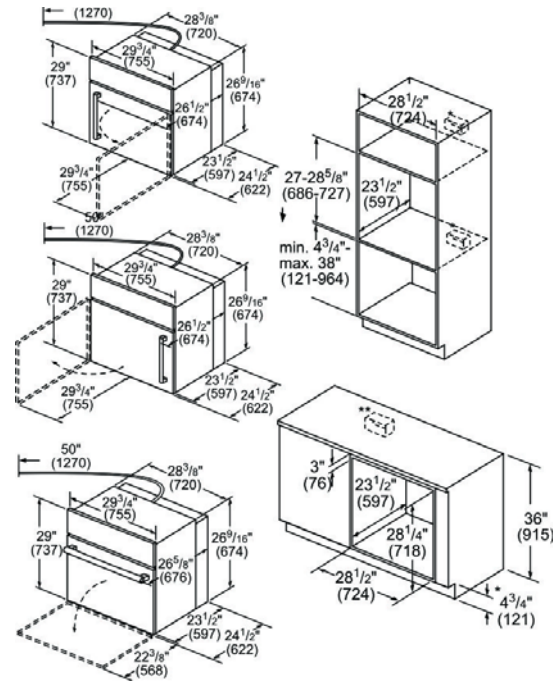


Dimensiones para hornos simples de 30 pulg.

La abertura del gabinete debe estar a plomo, y la base debe estar plana y nivelada, y debe ser capaz de soportar un peso de, al menos, 212 lb (96 kg).

Al instalar un horno con bisagras laterales, deje, al menos, 10 pulg. (254 mm) de espacio libre para permitir que la puerta se abra.

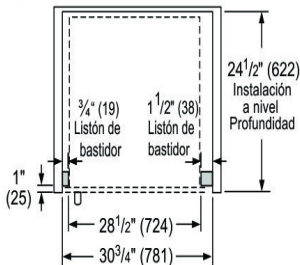
Instalación tradicional, en el gabinete y debajo de la superficie de trabajo del horno simple de 30 pulg.



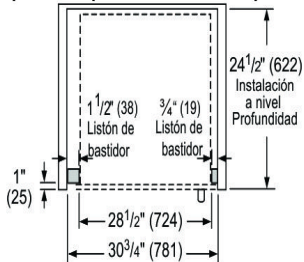
Instalación con montaje a ras del horno doble de 30 pulg.

La instalación a ras del horno doble de 30 pulg. requiere que se adhieran dos listones laterales dentro del marco del gabinete, empotrados desde la parte delantera.

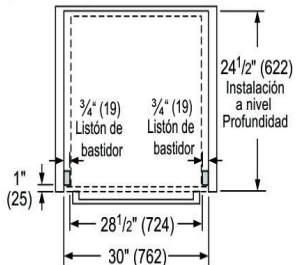
Vista superior de puerta de vaivén derecha



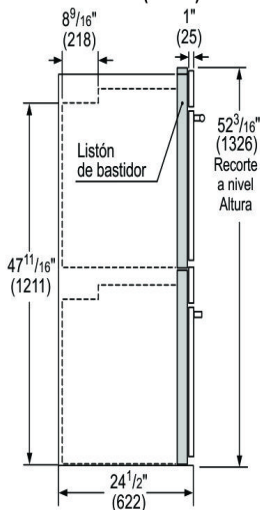
Vista superior de puerta de vaivén izquierda



Vista superior de puerta de bisagra inferior



Vista lateral (todas)

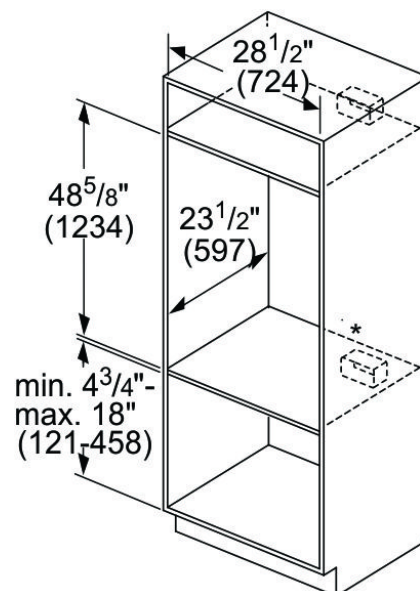
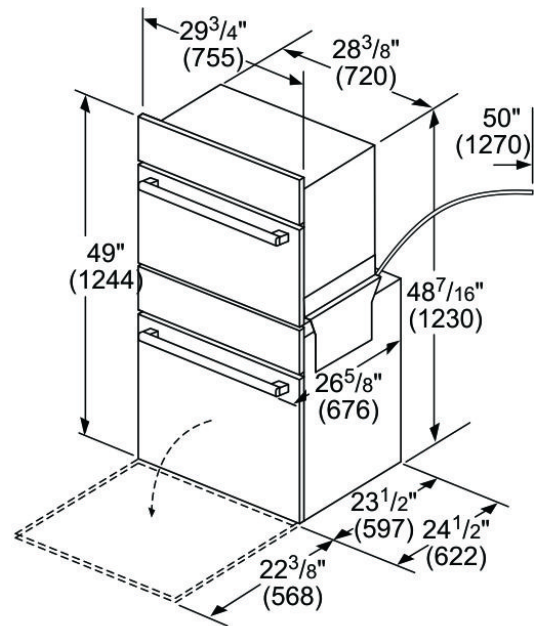


Dimensiones en pulgadas (mm)

Dimensiones para hornos combinados de 30 pulg. y hornos de microondas o vapor

La abertura del gabinete debe estar a plomo, y la base debe estar plana y nivelada, y debe ser capaz de soportar un peso de, al menos, 310 lb (141 kg) con un horno de microondas, o 429 lb (195 kg) con un horno de vapor.

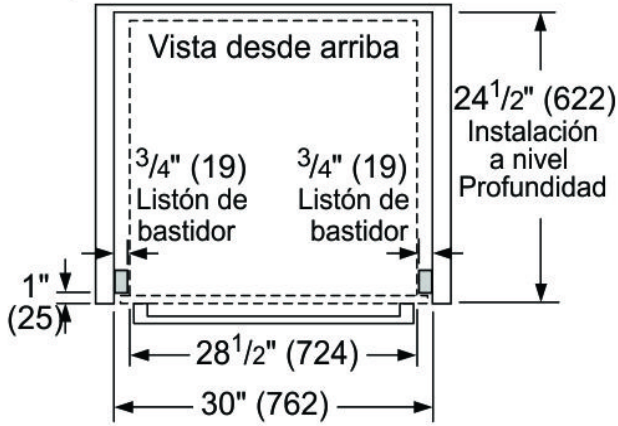
Instalación tradicional del horno combinado y horno de microondas o vapor de 30 pulg.



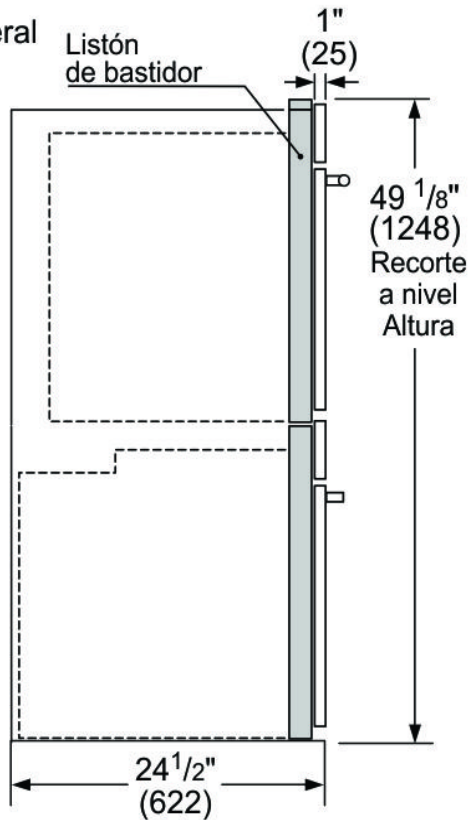
Instalación con montaje a ras del horno combinado y horno de microondas o vapor de 30 pulg.

La instalación a ras requiere que se adhieran dos listones laterales dentro del marco del gabinete, empotrados desde la parte delantera.

Montaje a nivel



Vista lateral



Dimensiones en pulgadas (mm)



BOSCH

Invented for life