

# 30" Microwave Combination Oven

500 Series – Stainless Steel HBL57M52UC



**BOSCH**  
Invented for life



**HBL57M52UC**  
Stainless Steel

**Built-In Microwave Design Matched for Use in Combination with Bosch Wall Oven.**

## Features & Benefits

Bosch wall ovens are compatible with most competitor's cutouts.

The wall oven is designed to be installed flush with cabinetry.

## General Properties

**Cooking modes – upper cavity** Microwave; 10 Sensor Cooking Programs (including Baked Potato, Sweet Potato, Fresh Vegetable, Frozen Vegetable, Ground Meat, Fish/Seafood, Brown Rice, White Rice, Frozen Entrees, Reheat), Popcorn, Beverage, Melt/Soften, Defrost

**Cooking modes – lower cavity** Bake, Variable Broil (hi & low), Roast, Warm, Sabbath, Proof Dough, Convection Bake, Convection Broil, Convection Roast, Pizza, Multi Rack Genuine European Convection, Convection Conversion

**Cleaning type – lower** Self Clean

**Telescopic rack** 0

**Illumination type** Incandescent (Upper and Lower)

**Interior lights** 1 Upper / 1 Lower

## Oven Performance

**Microwave power – upper cavity** 950 W

**Bake / broil element wattages – upper cavity** N/A

**Bake / broil element wattages – lower cavity** 2,400 / 3,800 W

**Convection element wattages – lower cavity** 2,000 W

## Technical Details

**Watts (W)** 9,600 W

**Circuit breaker (A)** 40 A

**Volts (V); Frequency (Hz)** 240 / 208 V; 60 Hz

**Power cord length (in)** 50"

**Plug type** 120 V, 3-Prong Receptacle

**Energy source** Electric

## Dimensions & Weight

**Overall appliance dimensions (HxWxD) (in)** 49" x 29 3/4" x 24 1/2"

**Required cutout size – Standard (HxWxD) (in)** 48 5/8" x 28 1/2" x 23 1/2"

**Required cutout size – Flush (HxWxD) (in)** 49 1/8" x 30" x 24 1/2"

**Oven cavity size – upper** 1.6 cu. ft.

**Overall upper oven interior dimensions (HxWxD) (in.)** 9 7/8" x 16 1/2" x 16 1/2"

**Turntable – Glass Max. Cookware – upper** 14 1/8" dia.

**Oven cavity size – lower** 4.6 cu. ft.

**Overall lower oven interior dimensions (HxWxD) (in)** 17 13/16" x 24 1/8" x 18"

**Usable lower oven interior dimensions (HxWxD) (in)** 12 5/16" x 23 1/4" x 15 1/4"

**Net weight (lbs)** 259 lbs

## Accessories—Included

Upper Oven: Glass Turntable  
Lower Oven: 3 Standard Racks

## Accessories—Optional



**HEZTR301**  
30" Telescopic Rack



\*Wall oven only

**For help and assistance with Bosch accessories please visit: [www.bosch-eshop.com/eshop/bosch/us](http://www.bosch-eshop.com/eshop/bosch/us) or call 1-800-944-2904 Mon-Fri 5am to 6pm PST Sat 6am to 3pm PST**

Notes: All height, width and depth dimensions are shown in inches. BSH reserves the absolute and unrestricted right to change product materials and specifications, at any time, without notice. Consult the product's installation instructions for final dimensional data and other details prior to making cutout. Applicable product warranty can be found in accompanying product literature or you may contact your account manager for further details.

Warranties: Bosch warrants that the Product is free from defects in materials and workmanship for a period of three hundred and sixty-five (365) days from the date of purchase. The foregoing timeline begins to run upon the date of purchase, and shall not be stalled, tolled, extended, or suspended, for any reason whatsoever. This Product is also warranted to be free from cosmetic defects in material and workmanship (such as scratches of stainless steel, paint/porcelain blemishes, chip, dents, or other damage) to the finish of the Product, for a period of thirty (30) days from the date of purchase or closing date for new construction. This cosmetic warranty excludes slight color variations due to inherent differences in painted and porcelain parts, as well as differences caused by kitchen lighting, product location, or other similar factors. This cosmetic warranty specifically excludes any display, floor, "As Is", or "B" stock appliances.

**For more information on our entire line of products, go to [www.bosch-home.com/us](http://www.bosch-home.com/us) or call 1-800-944-2904**

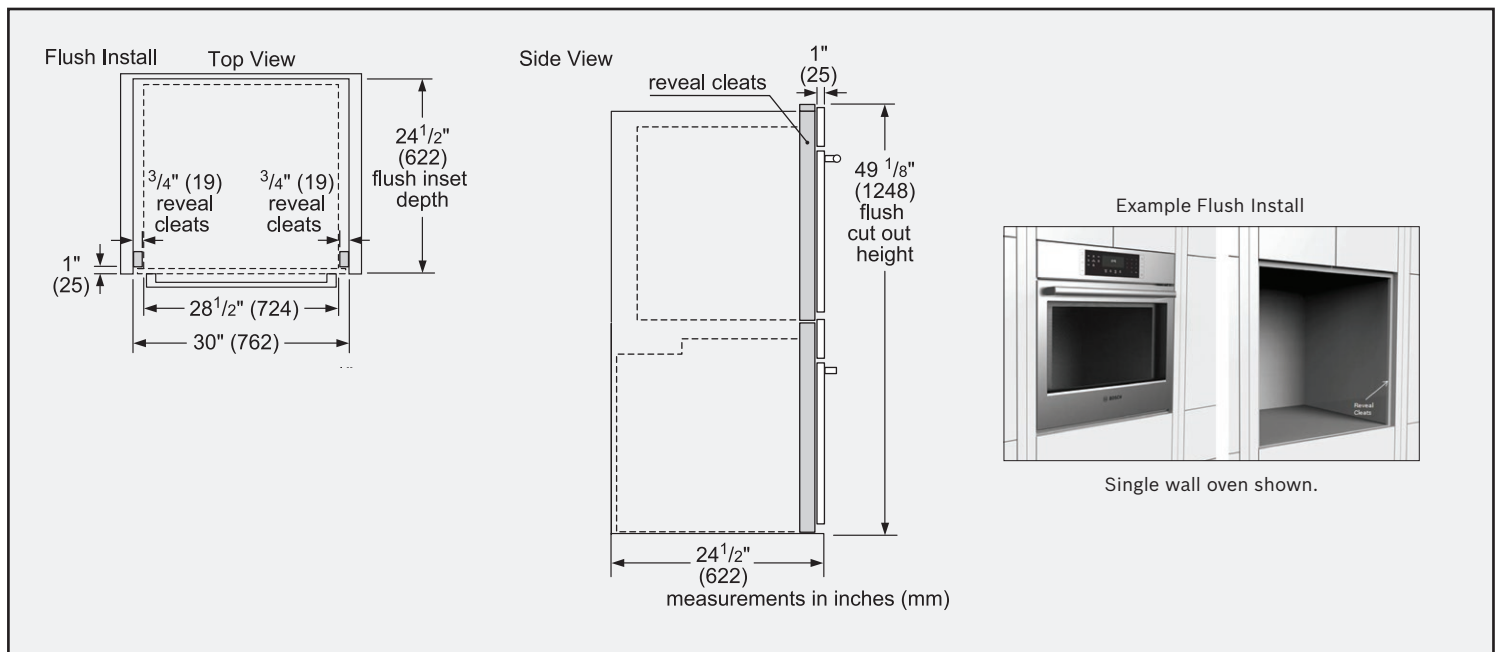
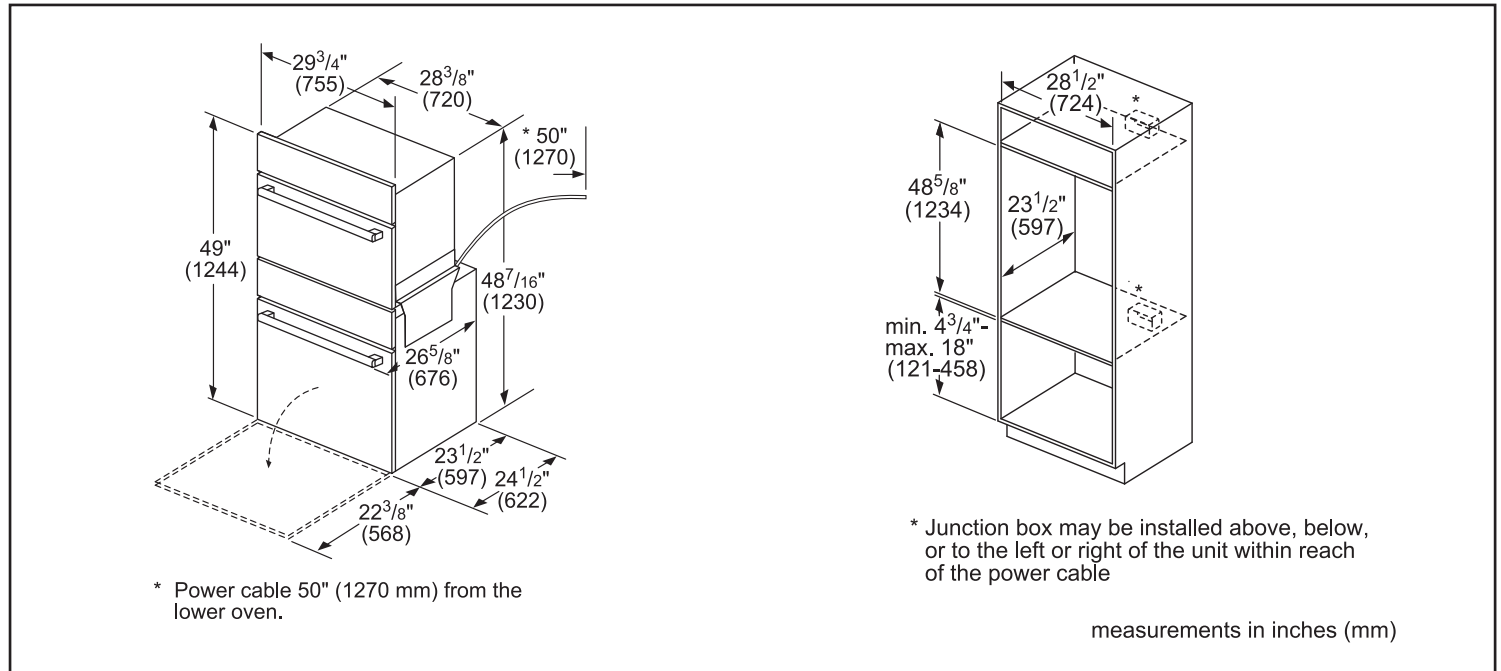
© BSH Home Appliances Corporation. All rights reserved. Bosch is a registered trademark of Robert Bosch GmbH.

# 30" Microwave Combination Oven

500 Series – Stainless Steel HBL57M52UC



## Installation Details



For help and assistance with Bosch accessories please visit: [www.bosch-eshop.com/eshop/bosch/us](http://www.bosch-eshop.com/eshop/bosch/us) or call 1-800-944-2904 Mon-Fri 5am to 6pm PST Sat 6am to 3pm PST

Notes: All height, width and depth dimensions are shown in inches. BSH reserves the absolute and unrestricted right to change product materials and specifications, at any time, without notice. Consult the product's installation instructions for final dimensional data and other details prior to making cutout. Applicable product warranty can be found in accompanying product literature or you may contact your account manager for further details.

Warranties: Bosch warrants that the Product is free from defects in materials and workmanship for a period of three hundred and sixty-five (365) days from the date of purchase. The foregoing timeline begins to run upon the date of purchase, and shall not be stalled, tolled, extended, or suspended, for any reason whatsoever. This Product is also warranted to be free from cosmetic defects in material and workmanship (such as scratches of stainless steel, paint/porcelain blemishes, chip, dents, or other damage) to the finish of the Product, for a period of thirty (30) days from the date of purchase or closing date for new construction. This cosmetic warranty excludes slight color variations due to inherent differences in painted and porcelain parts, as well as differences caused by kitchen lighting, product location, or other similar factors. This cosmetic warranty specifically excludes any display, floor, "As Is", or "B" stock appliances.

For more information on our entire line of products, go to [www.bosch-home.com/us](http://www.bosch-home.com/us) or call 1-800-944-2904

© BSH Home Appliances Corporation. All rights reserved. Bosch is a registered trademark of Robert Bosch GmbH.

# 30" Microwave Combination Oven

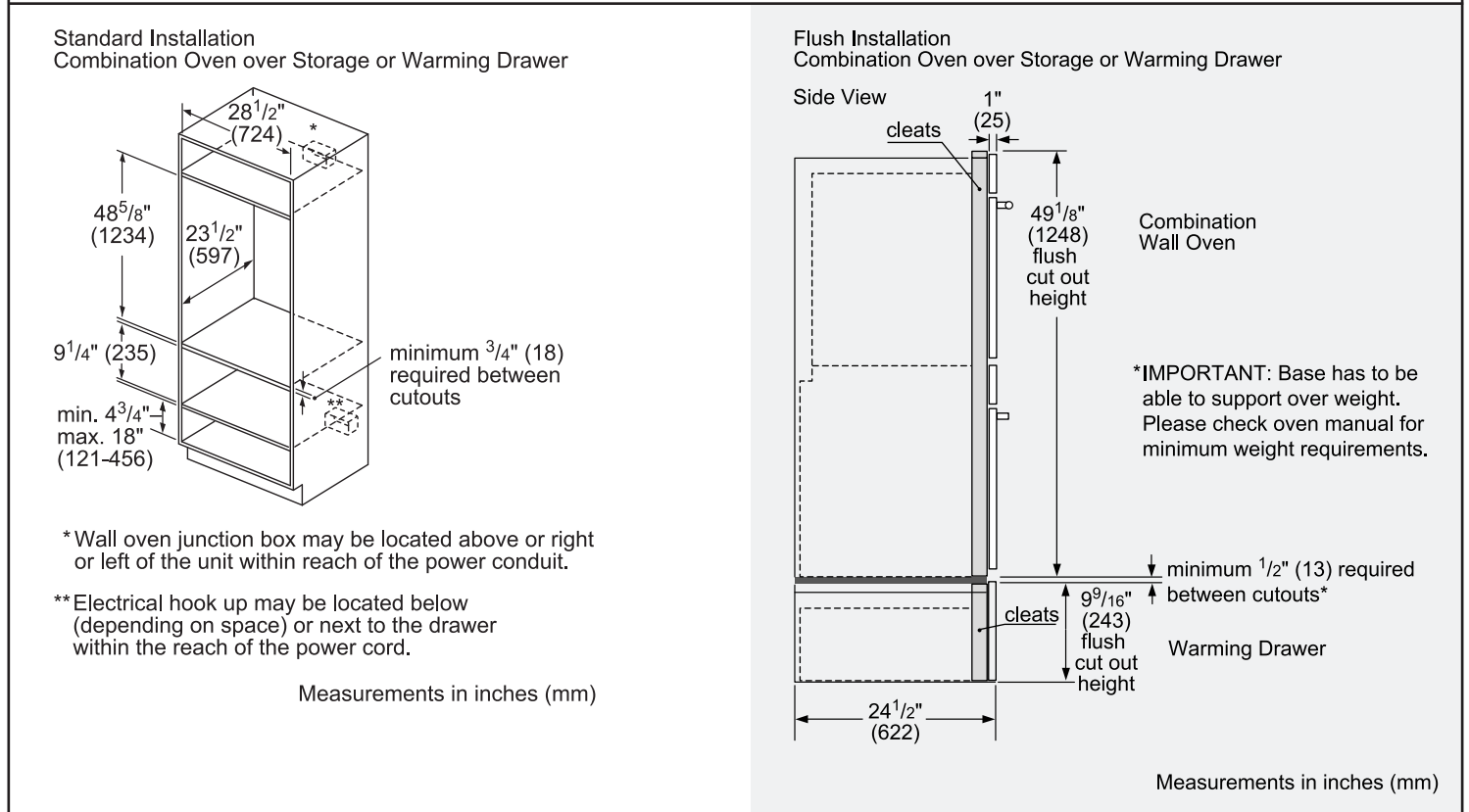
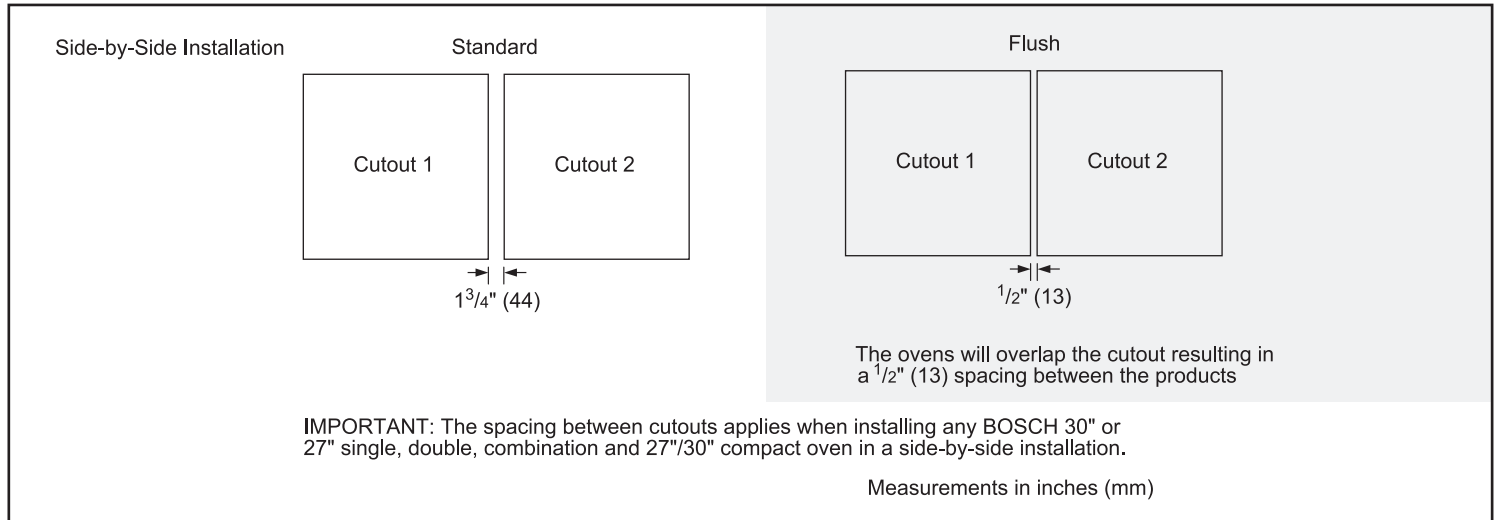
500 Series – Stainless Steel HBL57M52UC



**BOSCH**  
Invented for life



## Installation Details



For help and assistance with Bosch accessories please visit: [www.bosch-eshop.com/eshop/bosch/us](http://www.bosch-eshop.com/eshop/bosch/us) or call 1-800-944-2904 Mon-Fri 5am to 6pm PST Sat 6am to 3pm PST

Notes: All height, width and depth dimensions are shown in inches. BSH reserves the absolute and unrestricted right to change product materials and specifications, at any time, without notice. Consult the product's installation instructions for final dimensional data and other details prior to making cutout. Applicable product warranty can be found in accompanying product literature or you may contact your account manager for further details.

Warranties: Bosch warrants that the Product is free from defects in materials and workmanship for a period of three hundred and sixty-five (365) days from the date of purchase. The foregoing timeline begins to run upon the date of purchase, and shall not be stalled, tolled, extended, or suspended, for any reason whatsoever. This Product is also warranted to be free from cosmetic defects in material and workmanship (such as scratches of stainless steel, paint/porcelain blemishes, chip, dents, or other damage) to the finish of the Product, for a period of thirty (30) days from the date of purchase or closing date for new construction. This cosmetic warranty excludes slight color variations due to inherent differences in painted and porcelain parts, as well as differences caused by kitchen lighting, product location, or other similar factors. This cosmetic warranty specifically excludes any display, floor, "As Is", or "B" stock appliances.

For more information on our entire line of products, go to [www.bosch-home.com/us](http://www.bosch-home.com/us) or call 1-800-944-2904

© BSH Home Appliances Corporation. All rights reserved. Bosch is a registered trademark of Robert Bosch GmbH.