



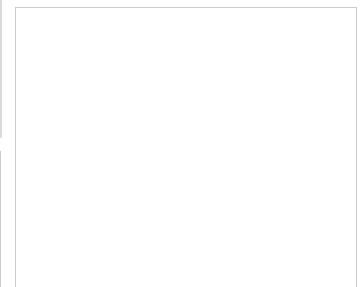
# BOSCH



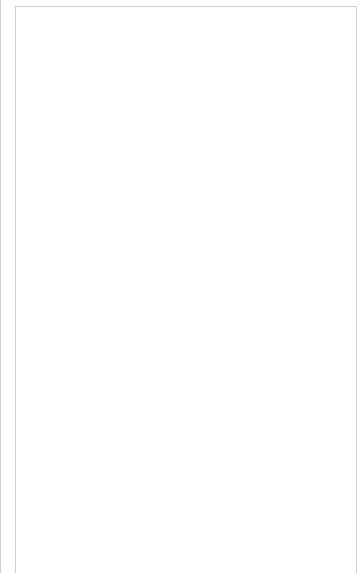
**DUH36252UC**  
**500 Series**  
**36" Under Cabinet Ventilation**

- Appearance**
- Brushed Stainless Steel Finish
- Convenience**
- Top or Rear Venting Options
  - Dishwasher-safe Mesh Filters
  - Easy to Use Rotary Controls
  - Ducted or Non-ducted Options
  - 2 Halogen Lights
- Performance**
- 400 CFM Blower Included
  - Four Power Levels
  - Quickly and Quietly Clears the Air of Smoke and Odor

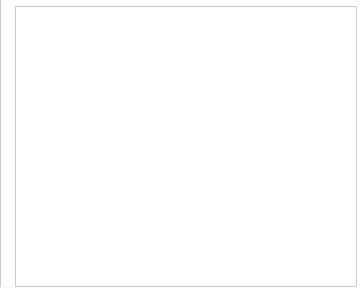
**Included accessories**



**Optional accessories**



**Alternative colors available**



**Technical Data**

**Product Features**  
 Operating Mode : Convertable: Ducted / Recirculating  
 Number of speed settings : 4-stage  
 Required accessories : Recirc Kit  
 Optional accessories : DHZ3602UC  
 Number of lights : 2  
 Type of lamps used : Halogen  
 Total power of the lamps (W) : 100  
 Grease filter material : Metal grease filter  
 Grease filter type : Multilayer cassette

**Consumption and connection features**  
 UPC code : 825225846772  
 Material : Stainless steel  
 Volts (V) : 120  
 Frequency (Hz) : 60  
 Approval certificates : CSA, UL  
 Plug type : 120V-3 prong  
 Overall appliance dimensions (HxWxD) (in) : 4 3/4" / 4 3/4" x 36" x 20"  
 Product packaging dimensions (HxWxD) (in) : 12.99 x 23.99 x 35.99  
 Required distance above cooktop/ranges : 30"/30"  
 Net weight (lbs) : 41  
 Gross weight (lbs) : 48  
 Motor location : Installed in carcass  
 No-return airflow flap : No



Bosch  
 DUH36252UC  
 36" Hood, Stainless

Predecessor:

Successor:

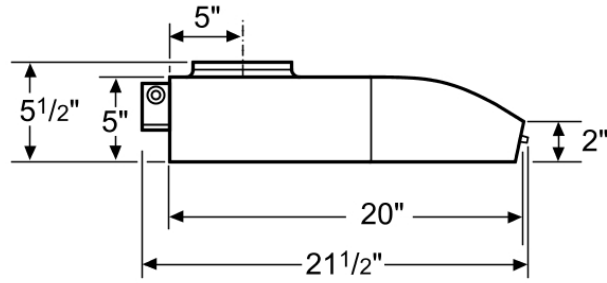
EAN code:  
 4242002420257

sales programme:

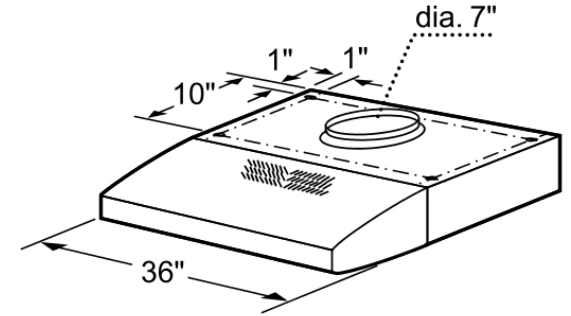


**BOSCH**

DUH36252UC  
500 Series  
36" Under Cabinet Ventilation



Dimensions in inches



Measurements in inches