



BOSCH



36" Under Cabinet Ventilation
300 Series - Stainless Steel
DUH36152UC

Key Features

- 280 CFM Blower Included
- Dishwasher-safe Mesh Filters
- Ducted or Non-ducted Options
- Top or Rear Venting Options

Design

- Brushed Stainless Steel Finish
- Two Incandescent Lights

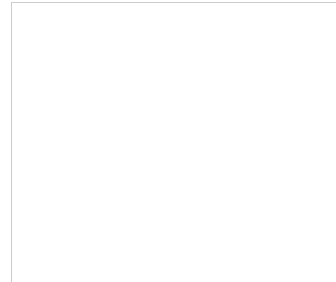
Performance

- Three Power Levels
- Quickly and Quietly Clears the Air of Smoke and Odor

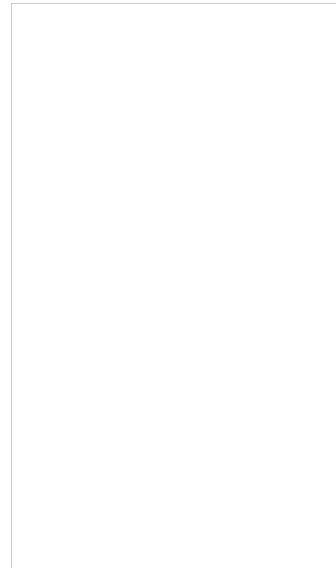
Convenience

- Easy to Use Rotary Controls

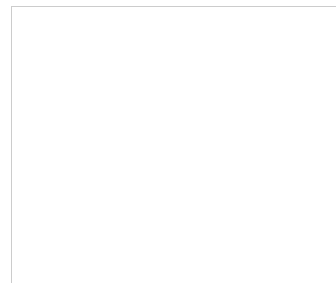
Included accessories



Optional accessories



Alternative colors available



Technical Data

Product Features

Operating Mode : Convertable: Ducted / Recirculating
 Number of speed settings : 3-stage
 Optional accessories : DHZ3602UC
 Number of lights : 2
 Type of lamps used : Bulbs
 Total power of the lamps (W) : 80
 Grease filter material : Metal grease filter
 Grease filter type : Multilayer cassette

Consumption and connection features

UPC code : 825225846741
 Material : Stainless steel
 Volts (V) : 120
 Frequency (Hz) : 60
 Approval certificates : CSA, UL
 Plug type : 120V-3 prong
 Overall appliance dimensions (HxWxD) (in) : 4 3/4" / 4 3/4" x 36" x 20"
 Product packaging dimensions (HxWxD) (in) : 12.99 x 23.99 x 35.99
 Required distance above cooktop/ranges : 30"/30"
 Net weight (lbs) : 41
 Gross weight (lbs) : 48
 Motor location : Installed in carcass
 No-return airflow flap : No



Bosch
 DUH36152UC
 36" Hood, Stainless

Predecessor:

Successor:

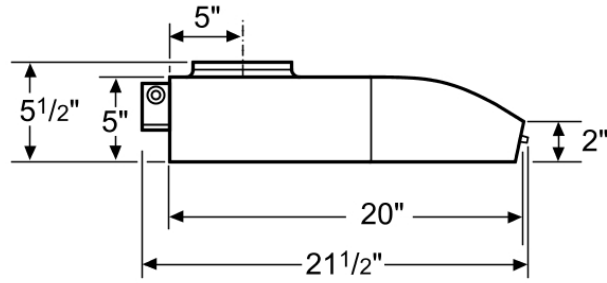
EAN code:
 4242002420240

sales programme:

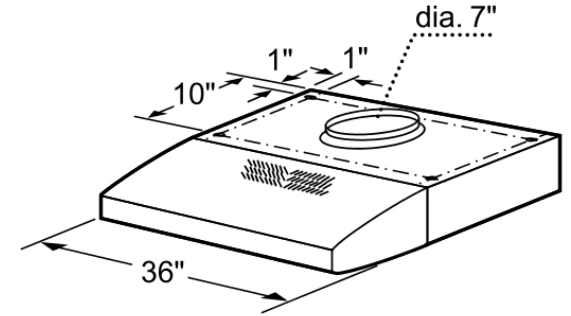


BOSCH

36" Under Cabinet Ventilation
300 Series - Stainless Steel
DUH36152UC



Dimensions in inches



Measurements in inches