



# BOSCH



**DPH36652UC**

**800 Series  
36" Under Cabinet Ventilation**

**Appearance**

- Professional Design
- Brushed Stainless Steel Finish

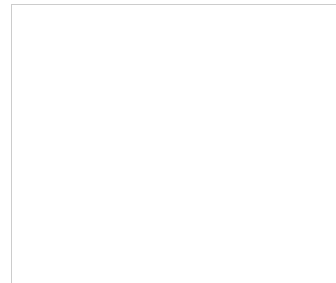
**Convenience**

- Top or Rear Venting Options
- Dishwasher-safe Mesh Filters
- Easy to Use Controls
- Recirculation Option Available

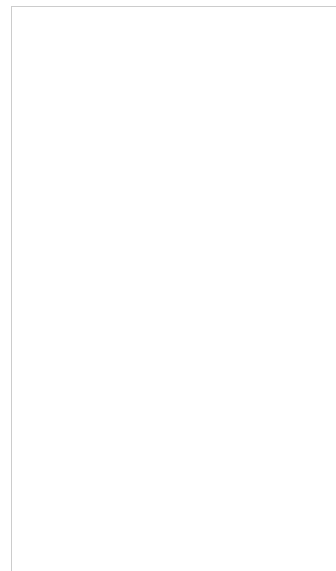
**Performance**

- 600 CFM Blower Included
- Two Power Levels
- Quickly and Quietly Clears the Air of Smoke and Odor

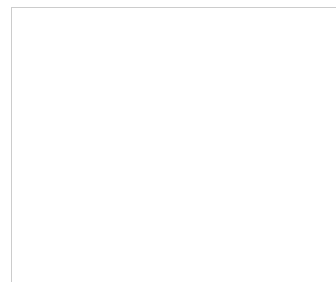
**Included accessories**



**Optional accessories**



**Alternative colors available**



**Technical Data**

**Product Features**

Operating Mode : Convertable: Ducted / Recirculating  
 Number of speed settings : 2-stage  
 Optional accessories : DHZ3052UC, DRZ3652UC  
 Number of lights : 2  
 Type of lamps used : Bulbs  
 Total power of the lamps (W) : 80  
 Grease filter material : Metal grease filter  
 Grease filter type : Multilayer cassette

**Consumption and connection features**

UPC code : 825225884446  
 Material : Stainless steel  
 Watts (W) : 253  
 Volts (V) : 120  
 Frequency (Hz) : 60  
 Approval certificates : CSA, UL  
 Plug type : No plug  
 Overall appliance dimensions (HxWxD) (in) : 11" / 11" x 36" x 23"  
 Product packaging dimensions (HxWxD) (in) : 12.99 x 23.99 x 35.99  
 Required distance above cooktop/ranges : 30"/30"  
 Net weight (lbs) : 34  
 Gross weight (lbs) : 48  
 Motor location : Installed in carcass  
 No-return airflow flap : No



Bosch  
 DPH36652UC  
 36" Pro-style hood, Stainless

Predecessor:

Successor:

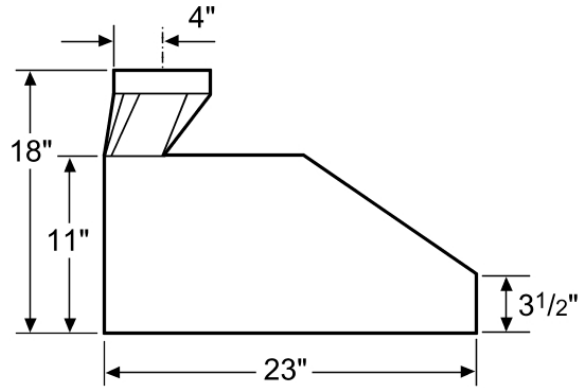
EAN code:  
 4242002558844

sales programme:

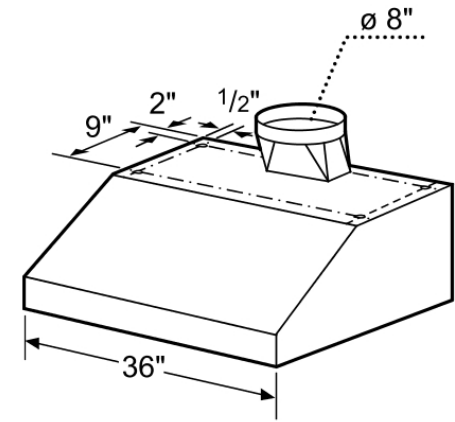


**BOSCH**

DPH36652UC  
800 Series  
36" Under Cabinet Ventilation



Measurements in inches



Dimensions in inches