

36" Counter-Depth Side-by-Side Refrigerator



300 Series – Stainless Steel B20CS30SNS



B20CS30SNS
Stainless Steel

This counter-depth Side-by-Side refrigerator installs nearly flush in a freestanding cutout, offering uninterrupted stainless steel luxury.

Features & Benefits

Anti-fingerprint stainless steel resists smudges and cleans easily.

MultiAirflow™ cooling system boosts air circulation for even temperature throughout.

ENERGY STAR® qualified for energy efficiency.

LED lighting and transparent storage provide ideal visibility throughout.

Dispenses fresh-tasting filtered water, crushed ice and cubed ice.

General Properties	
Door material	Anti-fingerprint Stainless Steel
Water filter	Yes
Lighting	LED
Defrost process refrigerator section	Frost-free
Number of shelves - refrigerator	4
Adjustable shelves - refrigerator	1
Shelf material - refrigerator	Tempered glass
Type of shelves - refrigerator	Framed Tempered Glass
Gallon storage bins	3
Defrost process freezer section	Automatic
Number of drawers - freezer	2
Adjustable shelves - freezer	3
Shelf material - freezer	Tempered glass
Type of shelves - freezer	Framed Tempered Glass
Ice maker	Yes
Capacity	
Total unit gross capacity (cu. ft.) – AHAM	20.2
Refrigerator gross capacity (cu. ft.)	13.2
Freezer gross capacity (cu. ft.)	6.96



Technical Details	
Current (A)	15 A
Volts (V)	115 V
Frequency (Hz)	60 Hz
Power cord length (in.)	76.8
Plug type	120V-3 prong

Dimensions & Weight	
Appliance dimensions (H x W x D) (in.)	69 11/16" x 35 15/16" x 27 1/2"
Required cutout size (H x W x D) (in.)	70" x 36" x 25.9"
Net weight (lbs)	245 lbs

Efficiency	
Energy consumption (kWh/yr)	594 kWh

Accessories—Included	
Included	Egg tray 1 Water Filter

Accessories—Optional

BORPLFTR10
Replacement water filter (P/N 00740570)



For help and assistance with Bosch accessories please visit: www.bosch-eshop.com/eshop/bosch/us or call 1-800-944-2904 Mon-Fri 5am to 6pm PST Sat 6am to 3pm PST

Notes: All height, width and depth dimensions are shown in inches. BSH reserves the absolute and unrestricted right to change product materials and specifications, at any time, without notice. Consult the product's installation instructions for final dimensional data and other details prior to making cutout. Applicable product warranty can be found in accompanying product literature or you may contact your account manager for further details.

Warranties: Bosch warrants that the Product is free from defects in materials and workmanship for a period of three hundred and sixty-five (365) days from the date of purchase. The foregoing timeline begins to run upon the date of purchase, and shall not be stalled, tolled, extended, or suspended, for any reason whatsoever. This Product is also warranted to be free from cosmetic defects in material and workmanship (such as scratches of stainless steel, paint/porcelain blemishes, chip, dents, or other damage) to the finish of the Product, for a period of thirty (30) days from the date of purchase or closing date for new construction. This cosmetic warranty excludes slight color variations due to inherent differences in painted and porcelain parts, as well as differences caused by kitchen lighting, product location, or other similar factors. This cosmetic warranty specifically excludes any display, floor, "As Is", or "B" stock appliances.

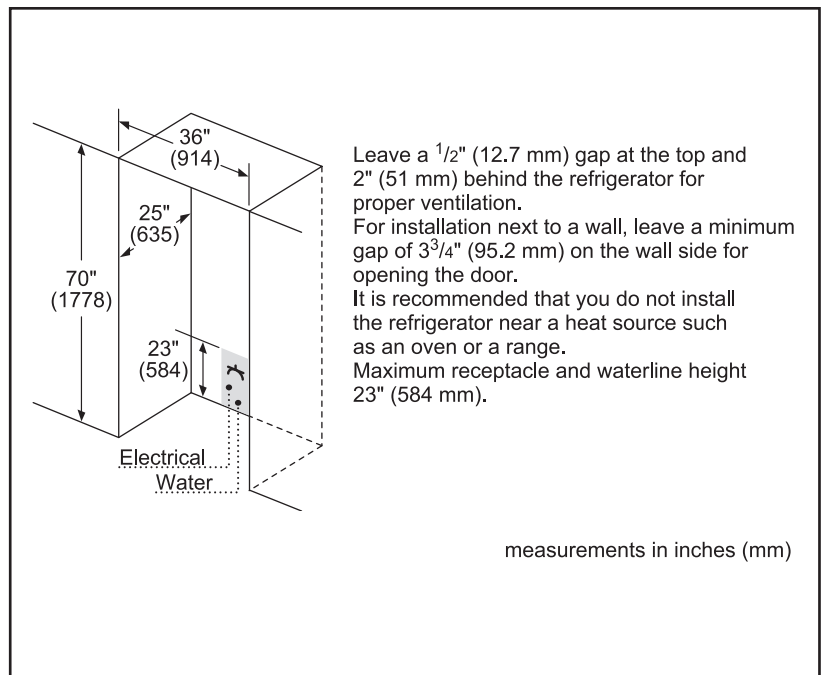
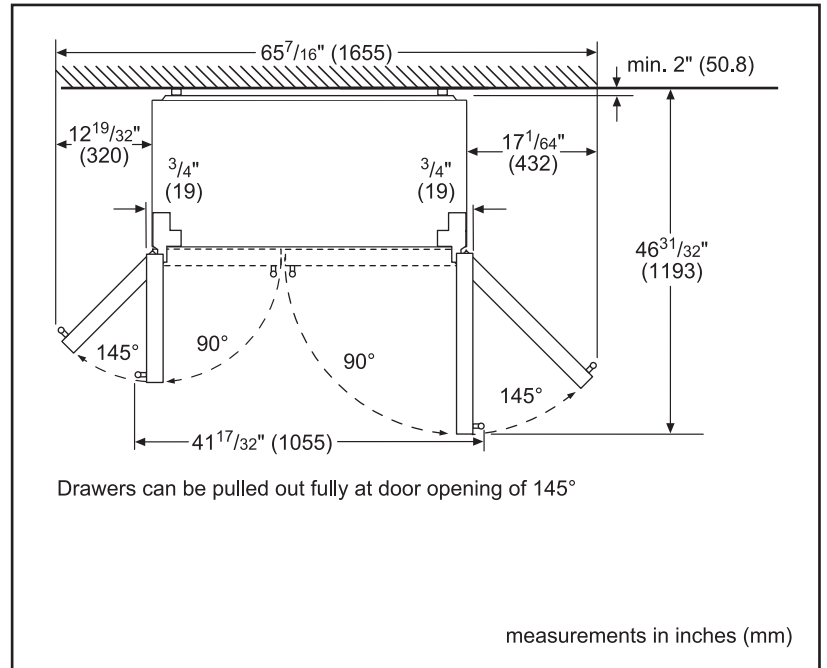
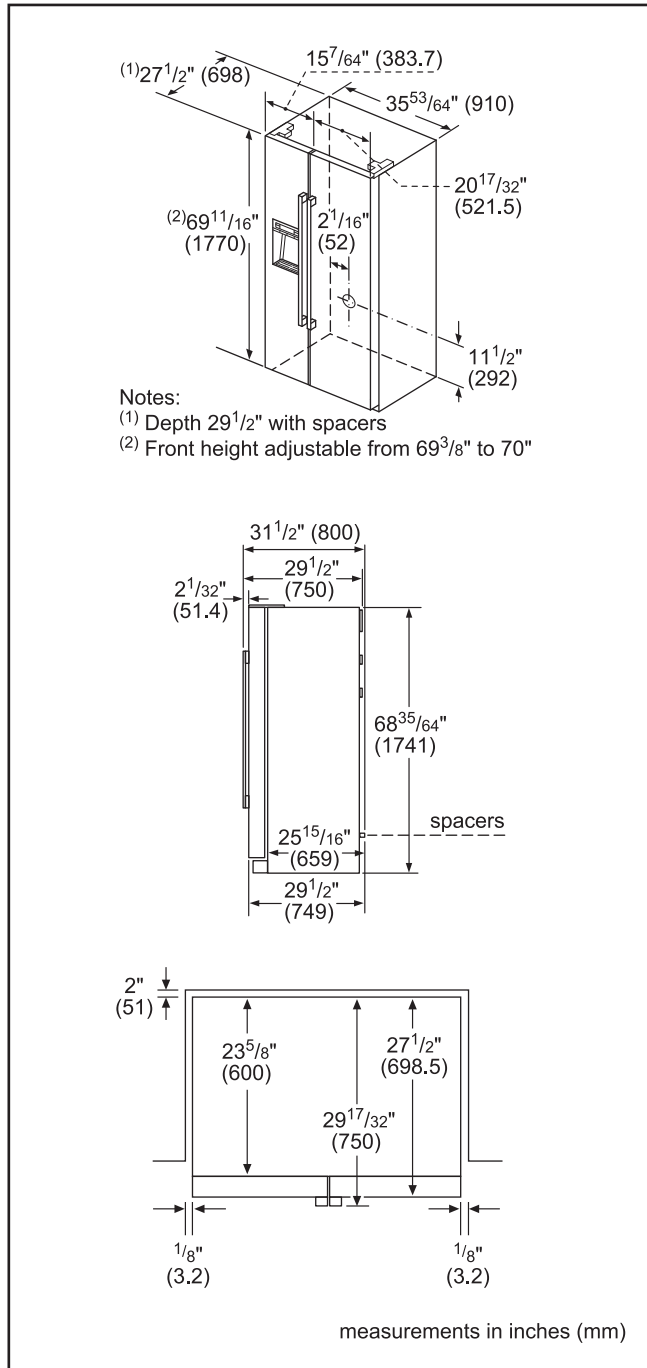
For more information on our entire line of products, go to www.bosch-home.com/us or call 1-800-944-2904

© BSH Home Appliances Corporation. All rights reserved. Bosch is a registered trademark of Robert Bosch GmbH.

36" Counter-Depth Side-by-Side Refrigerator

300 Series – Stainless Steel B20CS30SNS

Installation Details



For help and assistance with Bosch accessories please visit: www.bosch-eshop.com/eshop/bosch/us or call 1-800-944-2904 Mon-Fri 5am to 6pm PST Sat 6am to 3pm PST

Notes: All height, width and depth dimensions are shown in inches. BSH reserves the absolute and unrestricted right to change product materials and specifications, at any time, without notice. Consult the product's installation instructions for final dimensional data and other details prior to making cutout. Applicable product warranty can be found in accompanying product literature or you may contact your account manager for further details.

Warranties: Bosch warrants that the Product is free from defects in materials and workmanship for a period of three hundred and sixty-five (365) days from the date of purchase. The foregoing timeline begins to run upon the date of purchase, and shall not be stalled, tolled, extended, or suspended, for any reason whatsoever. This Product is also warranted to be free from cosmetic defects in material and workmanship (such as scratches of stainless steel, paint/porcelain blemishes, chip, dents, or other damage) to the finish of the Product, for a period of thirty (30) days from the date of purchase or closing date for new construction. This cosmetic warranty excludes slight color variations due to inherent differences in painted and porcelain parts, as well as differences caused by kitchen lighting, product location, or other similar factors. This cosmetic warranty specifically excludes any display, floor, "As Is", or "B" stock appliances.

For more information on our entire line of products, go to www.bosch-home.com/us or call 1-800-944-2904

© BSH Home Appliances Corporation. All rights reserved. Bosch is a registered trademark of Robert Bosch GmbH.