



Register your new Bosch now:  
[www.bosch-home.com/welcome](http://www.bosch-home.com/welcome)



**Refrigerator**  
**Réfrigérateur**  
**Frigorífico**  
**B1..CB..**



**BOSCH**

en	Operating instructions .....	3
es	Instrucciones de uso .....	18
fr	Notice d'utilisation .....	35

---

<b>en Table of Contents</b>	<b>3</b>
<b>es Índice</b>	<b>18</b>
<b>fr Table des matières</b>	<b>35</b>

---

## en Table of Contents

Important safety instructions .....	4	Super cooling .....	11
Definition .....	4	Switching on and off.....	11
Before you switch on the appliance .....	4	Freezer compartment.....	11
Technical safety .....	4	Use the freezer compartment.....	11
During use .....	4	Freezing and storing food.....	12
Children in the household.....	5	Purchasing frozen food.....	12
General information.....	5	When loading products .....	12
State of California Proposition 65 Warnings.....	5	Storing frozen food .....	12
Instructions on disposal.....	6	Freezing fresh food .....	12
♻ Disposal of packaging.....	6	Packing frozen food .....	12
♻ Disposal of your old appliance .....	6	Shelf life of frozen food.....	12
Contents of package .....	6	Super freezing.....	12
Installing the appliance .....	6	Switching on and off.....	12
Transport.....	6	Thawing frozen food .....	13
Installation location.....	6	Interior fittings.....	13
Ventilation .....	7	Shelves and containers .....	13
Connecting the appliance .....	7	Bottle shelf .....	13
Electrical connection.....	7	Ice pack .....	13
Getting to know your appliance .....	8	Active carbon filter .....	13
Operating controls.....	9	Switching off and disconnecting the appliance .....	13
Switching the appliance on .....	9	Switching off the appliance.....	13
Operating tips.....	9	Disconnecting the appliance .....	13
Setting the temperature .....	10	Cleaning the appliance.....	14
Refrigerator compartment.....	10	Proceed as follows: .....	14
Freezer compartment .....	10	Cleaning external surfaces .....	14
Energy-saving mode.....	10	Interior fittings .....	14
Alarm function.....	10	Light (LED) .....	15
Door alarm.....	10	Saving energy .....	15
Temperature alarm.....	10	Operating noises .....	16
Switching off the alarm .....	10	Completely normal noises .....	16
Usable capacity .....	10	Preventing noises .....	16
Fully utilizing the freezer volume .....	10	Rectifying minor faults yourself.....	16
Refrigerator compartment .....	10	Customer service.....	17
Note when storing food.....	10		
Note the chill zones in the refrigerator compartment.	11		
Vegetable container with humidity controller .....	11		
Cold storage compartment .....	11		



# Important safety instructions

READ INSTRUCTIONS - DO NOT DISCARD!

## Definition



### WARNING:

This indicates that death or serious injury may result due to non-observance of this warning.



### CAUTION:

This indicates that minor or moderately severe injury may result due to non-observance of this warning.

## Before you switch on the appliance

Please read the instructions for use and installation carefully. They contain important information on how to install, use and maintain the appliance.

The manufacturer is not liable if you disregard the instructions and warnings in the operating instructions. Retain all documents for later use or for the subsequent owner.

## Technical safety

### If damage has occurred

- Keep naked flames and ignition sources away from the appliance,
- ventilate the room thoroughly for several minutes.
- switch off the appliance and pull out the mains plug,
- Inform customer service.

The more refrigerant there is in an appliance, the bigger the room must be in which the appliance is located. If rooms are too small, a leak may result in a flammable gas-air mixture.

The room must be at least 36 ft<sup>3</sup> (1 m<sup>3</sup>) per 8 g of refrigerant. The amount of refrigerant in your appliance is indicated on the rating plate inside the appliance.

### Flammable refrigerant is used. Risk of fire or explosion.

This appliance may only be repaired by authorized specialist personnel. All safety precautions must be followed. Do not use force to open refrigerant tubing. Follow the instructions carefully. Dispose of the appliance properly in accordance with the applicable federal or local regulations.

If this appliance's power cord is damaged, it must be replaced by the manufacturer, authorized service providers or similarly qualified persons. Improper installations and repairs may put the user at risk.

Repairs may only be performed by the manufacturer, authorized service providers or similarly qualified persons.

Only original parts supplied by the manufacturer may be used. Only for original parts does the manufacturer guarantee that they satisfy the safety requirements.

The appliance comes with a UL registered 3-wire power cord.

Never sever or remove the third (earth) conductor from the power cord.

The appliance requires a 3-pole socket. The socket may be connected by an electrician only.

Where there is a 2-pole standard wall socket, it is the personal responsibility of the customer to have this socket replaced with a correctly grounded 3-pole wall socket. Do not use any adapter plugs.

## During use

- Never use electrical equipment inside the appliance (e.g. heaters, electric ice makers etc.). Explosion hazard!
- Never defrost or clean the appliance with a steam cleaner! The steam can penetrate electrical parts and cause a short circuit. Risk of electric shock!
- Do not use pointed or sharp-edged tools to remove frost or layers of ice. They could damage the refrigerant tubes. Leaking refrigerant can ignite or cause eye injuries.
- Do not store products which contain flammable propellants (e.g. spray cans) and do not store any explosive substances. Explosion hazard!
- Do not stand on or lean against base of appliance, drawers or doors etc.
- Before cleaning, unplug the appliance or switch off the fuse. Pull on the plug, not on the cord.
- Only store high-proof alcohol tightly closed and standing up.
- Keep plastic parts and the door seal free of oil and grease. The plastic parts and the door seal will otherwise become porous.
- Never cover or block the appliance's ventilation openings.
- **Avoiding placing children and disabled people at risk:**
  - This appliance must not be used by children without adult supervision or by disabled persons without assistance.
  - Never allow children to play with the appliance.
  - Do not store bottled or canned liquids (especially carbonated drinks) in the freezer compartment. Bottles and cans may burst!
  - Never put frozen food straight from the freezer compartment into your mouth. Risk of low-temperature burns!
  - Avoid prolonged touching of frozen food, ice or the evaporator pipes etc. Risk of low-temperature burns!

# **Important safety instructions**

READ INSTRUCTIONS - DO NOT DISCARD!

## **Children in the household**

- Keep children away from the packaging and its parts.  
Danger of suffocation from collapsible boxes and foil!
- Do not allow children to play with the appliance!
- If the appliance features a lock:  
keep the key out of the reach of children.

## **General information**

The appliance is suitable

- for refrigerating and freezing food,
- for making ice.


This appliance is intended for use in the home and the home environment.

This appliance is intended for use at an elevation of no more than 2000 meters above sea level.

## **State of California Proposition 65 Warnings**

This product may contain a chemical known to the State of California, which can cause cancer or reproductive harm. Therefore, the packaging of your product may bear the following label as required by California:

STATE OF CALIFORNIA PROPOSITION 65 WARNING: /  
AVERTISSEMENT ISSUE DE LA PROPOSITION 65  
DE L'ÉTAT DE LA CALIFORNIE:

 **WARNING /  
AVERTISSEMENT**

Cancer and Reproductive Harm / Cancer et dommages à la  
reproduction - [www.P65Warnings.ca.gov](http://www.P65Warnings.ca.gov).

## Instructions on disposal

### Disposal of packaging

The packaging protects your appliance from damage during transport. All utilized materials are environmentally safe and recyclable. Please help us by disposing of the packaging in an environmentally friendly manner.

Please ask your dealer or inquire at your local authority about current means of disposal.

### Disposal of your old appliance

Old appliances are not worthless garbage! Valuable raw materials can be reclaimed by recycling old appliances.

#### **WARNING:**

Redundant appliances

1. Pull out the mains plug.
2. Cut off the power cord and discard with the mains plug.
3. Do not take out the trays and receptacles to prevent children from climbing in!
4. To prevent children from locking themselves in the redundant appliance:  
Remove appliance doors!
5. Do not allow children to play with the redundant appliance. Risk of suffocation!

Refrigerators contain refrigerant and gases in the insulation. Refrigerant and gases must be disposed of professionally. Ensure that tubing of the refrigerant circuit is not damaged prior to proper disposal.

## Contents of package

After unpacking all parts, check for any damage during transport.

#### **CAUTION:**

Do not set up the appliance if it is damaged.

If there are any problems, please contact the dealer from whom you purchased the appliance, or our customer service.

#### **The delivery consists of the following parts:**

- Free-standing appliance
- Interior fittings (depending on model)
- Bag containing installation materials
- Instruction manual
- Installation instructions
- Customer service booklet
- Warranty enclosure
- Information on the energy consumption and noises

## Installing the appliance

Have a technician install and connect the appliance according to the enclosed installation instructions.

#### **WARNING:**

Do not install this appliance:

- outdoors,
- in an environment with dripping water,
- in rooms where there is a risk of frost.

### Transport

The appliance is heavy. It must be secured during transport and installation.

#### **WARNING:**

Due to the appliance's weight and dimensions and to minimize the risk of injuries or damage to the appliance, at least two people are needed for safe installation of the appliance.

### Installation location

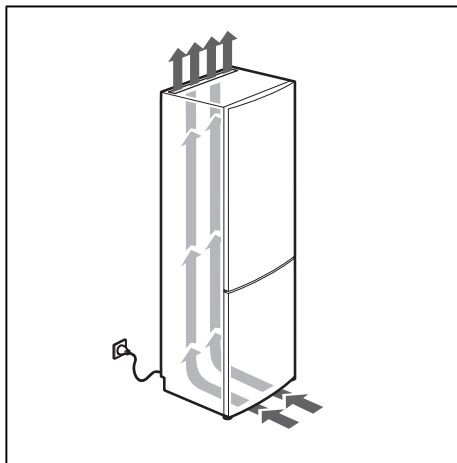
A dry, well ventilated room is suitable as an installation location. The installation location should not be exposed to direct sunlight and not placed near a heat source, e.g. a cooker, radiator, etc. If installation near a heat source is unavoidable, use a suitable insulating plate or observe the following minimum distances to a heat source:

- 1<sup>1</sup>/<sub>4</sub>" (3 cm) to electric or gas cookers.
- 11<sup>13</sup>/<sub>16</sub>" (30 cm) to oil or solid-fuel cookers.

The floor of the installation location must not give way; if required, reinforce floor.

## Ventilation

The air on the rear panel and on the side panels of the appliance heats up. Conduction of the heated air must not be obstructed. Otherwise the refrigeration unit must work harder. This increases power consumption. Therefore: Never cover or block ventilation openings! Place the enclosed spacers in the designated holders on the back of the appliance. This ensures that there is a minimum distance between the appliance and the wall.



## Connecting the appliance

After installing the appliance, wait at least 8 hours until starting up the appliance. During transportation the oil in the compressor may have flowed into the refrigeration system.

Before switching on the appliance for the first time, clean the interior of the appliance (see chapter Cleaning the appliance).

### Electrical connection



#### WARNING:

Risk of electric shock!

Connect the appliance to a grounded, 3-phase outlet only. Never remove the ground phase. Do not use any adapters. Do not use any extension leads.



#### WARNING:

Risk of electric shock!

Incorrect connection of the appliance may result in death, fire or electric shock. Improper connection of the protective conductor may result in electric shock. If you are in doubt as to whether the appliance has been properly grounded, have it tested by a qualified electrician or Customer Service technician.



#### WARNING:

Risk of electric shock!

If the length of the power cord is inadequate, never use multiple outlets or extension leads. Instead, please contact Customer Service for alternatives.

This appliance must be connected to a permanently installed outlet.

The outlet must be near the appliance and also freely accessible following installation of the appliance.

The appliance complies with protection class I. Connect it to a correctly installed outlet. Correct means: with a protective conductor, 110 V – 120 V/60 Hz alternating current. The outlet must be protected by a 10 A – 16 A fuse.

The appliance comes with a UL registered 3-wire power cord. The appliance requires a 3-pole outlet.

Please observe the following table with regard to this:

Appliance	Maximum simultaneous load
Fridge-freezer	6 A

Check on the rating plate whether the indicated voltage and current type match the values of your power supply. The position of the rating plate can be found in the chapter entitled Customer Service.



#### WARNING:

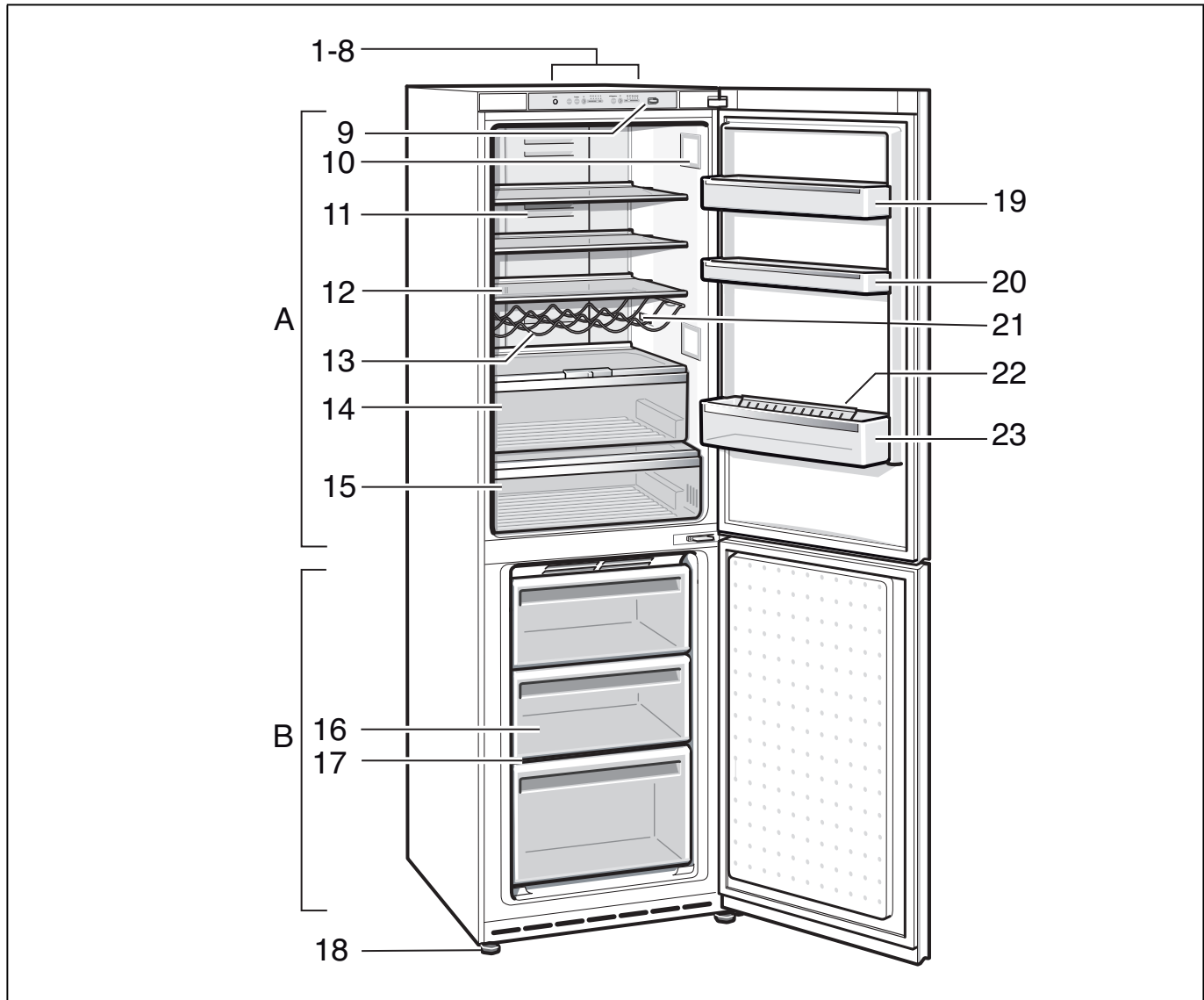
Never connect the appliance to electronic energy saver plugs.

Our appliances can be used with mains and sine-controlled inverters. Mains-controlled inverters are used for photovoltaic systems which are connected directly to the national grid. Sine-controlled inverters must be used for isolated applications (e.g. on ships or in mountain lodges) which are not connected directly to the national grid.

# Getting to know your appliance

These operating instructions refer to several models.

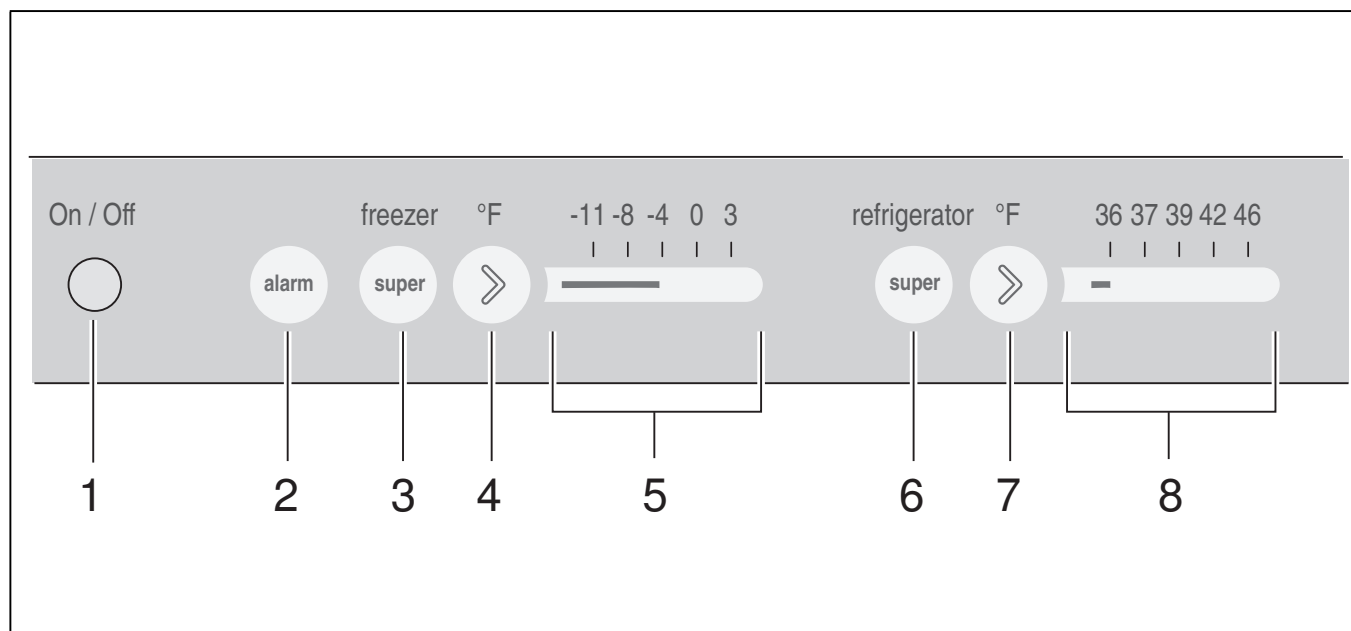
The features of the models may vary.  
The diagrams may differ.



- |     |   |    |                          |
|-----|---|----|--------------------------|
| A   | Refrigerator compartment                | 15 | Cold storage compartment |
| B   | Freezer compartment                     | 16 | Freezer drawer           |
| 1-8 | Operating controls                      | 17 | Freezer shelf            |
| 9   | Light switch                            | 18 | Height-adjustable feet   |
| 10  | Light (LED)                             | 19 | Egg rack                 |
| 11  | Air outlet opening                      | 20 | Door shelf               |
| 12  | Shelves in the refrigerator compartment | 21 | Active carbon filter     |
| 13  | Bottle shelf                            | 22 | Bottle holder            |
| 14  | Vegetable container                     | 23 | Shelf for large bottles  |



## Operating controls



- 1 **Button „On/Off“**  
Serves to switch the whole appliance on and off.
- 2 **Button „alarm“**  
Used to switch off the warning signal, see chapter “Alarm function”.
- 3 **Button „super freezer“**  
Switches super freezing on and off.
- 4 **Button „> °F“**  
The button sets the temperature in the freezer compartment.
- 5 **Freezer compartment display**  
Indicates the current temperature setting in the freezer compartment.
- 6 **Button „super refrigerator“**  
Switches super cooling on and off.
- 7 **Button „> °F“**  
The button sets the temperature in the refrigerator compartment.
- 8 **Refrigerator compartment display**  
Indicates the current temperature setting in the refrigerator compartment.

## Switching the appliance on

1. Switch on the appliance with the button „On/Off“. A warning signal sounds. Button „alarm“ flashes.
2. Press the button „alarm“. The warning signal switches off.  
The button „alarm“ remains lit until the set freezer compartment temperature has been reached.  
When the door is open, the light in the refrigerator compartment is lit.

### Note:

If the light switch is pressed when the door is open, the light and the displays on the controls go out. The preset temperatures are reached after several hours. Do not put any food in the appliance beforehand. The factory has recommended the following temperatures:

- Freezer compartment: 0 °F (–18 °C)
- Refrigerator compartment: 39 °F (+4 °C)

## Operating tips

- When the appliance has been switched on, it may take several hours until the set temperatures have been reached.
- The fully automatic No Frost system ensures that the freezer compartment remains free of ice. Defrosting is no longer required.
- The sides of the housing are sometimes heated slightly. This prevents condensation in the area of the door seal.
- If the freezer compartment door cannot be immediately re-opened after it has been closed, wait until the resulting low pressure has equalized.

## Setting the temperature

### Refrigerator compartment

The temperature can be set from 36 °F to 46 °F (+2 °C to +8 °C).

Keep pressing temperature selection button „> °F“ until the required refrigerator compartment temperature is set. The value last selected is saved. The set temperature is indicated on the temperature display.

We recommend a factory setting of 39 °F (+4 °C) in the refrigerator compartment.

Perishable food should not be stored above 39 °F (+4 °C).

### Freezer compartment

The temperature can be set from 3 °F to -11 °F (-16 °C to -24 °C).

Keep pressing temperature selection button „> °F“ until the required freezer compartment temperature is set.

The value last selected is saved. The set temperature is indicated on the temperature display.

## Energy-saving mode

When the appliance is not used, the display on the controls switches to energy saving mode.

Only the required lamps are lit with reduced luminosity.

As soon as the appliance is used, e.g. the door is opened, the display switches back to normal illumination.

## Alarm function

In the following cases an alarm may be actuated:

### Door alarm

If the appliance is left open for longer than one minute, the door alarm switches on. Close the door or press the Alarm button 2 to switch the warning signal off again.

### Temperature alarm

The temperature alarm switches on if the freezer compartment is too warm and the frozen food is at risk of thawing.

- Alarm button „alarm“ flashes: Frozen food is or was at risk of thawing.
- Alarm button „alarm“ is lit: Frozen food is not at risk of thawing.

The alarm may switch on without any risk to the frozen food:

- when the appliance is switched on,
- when large quantities of fresh food are placed in the appliance,
- if the freezer compartment door is open too long.

#### Note:

Do not refreeze partly or completely thawed food. Only ready-to-eat meals (boiled or fried) may be refrozen.

## Switching off the alarm

Press the alarm button to switch off the warning signal.

## Usable capacity

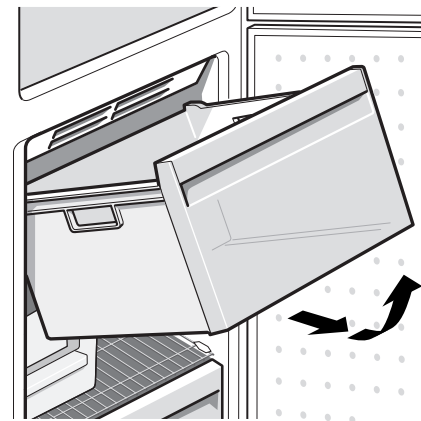
Information on the usable capacity can be found inside your appliance on the rating plate (see diagram in chapter Customer service).

## Fully utilizing the freezer volume

To place the maximum amount of food in the freezer, all frozen food containers, except the bottom one, can be taken out of the appliance. The food can be stacked directly on the freezer shelves.

### Removing the fittings

Pull out the frozen food containers all the way, lift at the front and remove.



## Refrigerator compartment

The refrigerator compartment is the ideal storage location for meat, sausage, fish, dairy products, eggs, ready meals and pastries.

### Note when storing food

- Store fresh, undamaged food. The quality and freshness will then be retained for longer.
- In the case of ready-made products and bottled goods, observe the best-before date or use-by date specified by the manufacturer.
- To retain aroma, color and freshness, pack or cover food well before placing in the appliance. This will prevent the transfer of flavors and the discoloration of plastic parts in the refrigerator compartment.
- Allow warm food and drinks to cool down before placing in the appliance.

#### Note:

Avoid contact between food and rear panel. Otherwise the air circulation will be impaired.

Food or packaging could freeze to the rear panel.

## Note the chill zones in the refrigerator compartment

The air circulation in the refrigerator compartment creates different chill zones:

### ■ Coldest zone

is on the rear panel inside the appliance and on the cold storage compartment. See chapter Getting to know your appliance.

#### **Note:**

Store perishable food e.g. fish, sausage, meat in the coldest zones.

### ■ Warmest zone

is at the very top of the door.

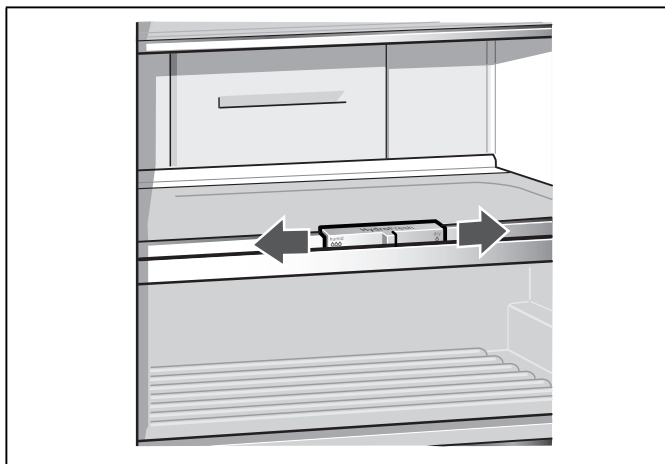
#### **Note:**

Store e.g. hard cheese and butter in the warmest zone. Cheese can then continue to release its flavor and the butter will still be easy to spread.

## Vegetable container with humidity controller

To create the optimum storage climate for fruit and vegetables, you can set the air humidity in the vegetable container depending on the quantity stored:

- smaller quantities of fruit and vegetables – high air humidity
- large quantities of fruit and vegetables – low air humidity



#### **Note:**

- Fruit sensitive to cold (e.g. pineapple, banana, papaya and citrus fruit) and vegetables sensitive to cold (e.g. eggplants, cucumbers, zucchini, peppers, tomatoes and potatoes) should be stored outside the refrigerator at temperatures of approx. 46 °F to 54 °F (+8 °C to + 12 °C) for optimum preservation of quality and flavor.
- Condensation may form in the vegetable container depending on the type and quantity of products stored. Remove condensation with a dry cloth and adjust air humidity in the vegetable container with the humidity controller.

## Cold storage compartment

See chapter Getting to know your appliance.

The cold storage compartment has lower temperatures than the refrigerator compartment. Even temperatures below 32 °F (0 °C) may occur.

Ideal for storing fish, meat and sausage. Not suitable for lettuce, vegetables and produce sensitive to cold.

## Super cooling

Super cooling cools the refrigerator compartment as cold as possible for approx. 6 hours. Then the appliance automatically switches to the temperature set prior to super cooling mode.

Switch on super cooling mode, e.g.:

- before placing large quantities of food in the compartment.
- for the fast cooling of drinks.

## Switching on and off

Press button „super refrigerator“.

The button is lit when super cooling is switched on.

## Freezer compartment

### Use the freezer compartment

- To store frozen food.
- To make ice cubes.
- To freeze food.

#### **Note:**

Ensure that the freezer compartment door has always been closed properly! If the door is open, the frozen food will thaw. The freezer compartment will become covered in thick ice. Besides: energy is wasted due to the high power consumption!

---

## Freezing and storing food

### Purchasing frozen food

- The packaging must not be damaged.
- Pay attention to the expiration date.
- Temperature in the supermarket freezer must be 0 °F (–18 °C) or lower.
- If possible, transport frozen food in an insulated bag and place quickly in the freezer compartment.

### When loading products

- Preferably freeze large quantities of food in the top compartment, where food freezes particularly quickly and therefore also gently.
- Place the food over the whole area of the compartments or the frozen food containers.

#### Note:

Food which is already frozen must not come into contact with the food which is to be frozen. If required, move the frozen food to other frozen food containers.

### Storing frozen food

Insert frozen food container all the way to ensure unrestricted air circulation.

If large quantities of food are to be stored in the freezer, all the frozen food containers (except the bottom one) can be taken out of the appliance and the food stacked directly on the freezer shelves.

To remove a frozen food container, pull out all the way, lift at the front and remove.

---

## Freezing fresh food

Freeze only fresh and undamaged food.

To retain the best possible nutritional value, flavor and color, vegetables should be blanched before freezing. Eggplants, peppers, zucchini and asparagus do not require blanching.

Literature on freezing and blanching can be found in bookstores.

#### Note:

Keep food which is to be frozen away from food which is already frozen.

- The following foods are suitable for freezing: Baked goods, fish and seafood, meat, game, poultry, vegetables, fruit, herbs, eggs without shells, dairy products such as cheese and butter, ready meals and leftovers such as soups, stews, cooked meat and fish, potato dishes, soufflés and desserts.
- The following foods are not suitable for freezing: Vegetables that are usually consumed raw, such as lettuce or radishes, eggs in shells, grapes, whole apples, pears and peaches, hard-boiled eggs, yoghurt, soured milk, sour cream, crème fraîche and mayonnaise.

### Packing frozen food

To prevent food from losing its flavor or drying out, place in airtight containers.

1. Place food in packaging.
2. Remove air.
3. Seal the packaging.
4. Label packaging with contents and date of freezing.

#### Suitable packaging:

Cling wrap, tubular film made of polyethylene, aluminum foil, freezer containers.

These products are available from specialist outlets.

#### Unsuitable packaging:

Wrapping paper, greaseproof paper, cellophane, bin liners and used shopping bags.

#### Items suitable for sealing packaged food:

Rubber bands, plastic clips, string, cold-resistant adhesive tape, etc.

Bags and tubular film made of polyethylene (PE) can be sealed with a film heat sealer.

### Shelf life of frozen food

Shelf life depends on the type of food.

At a temperature of 0° F (–18° C):

- Fish, sausage, ready meals, cakes and pastries: up to 6 months
- Cheese, poultry and meat: up to 8 months
- Vegetables, fruit: up to 12 months

---

## Super freezing

Food should be frozen solid as quickly as possible in order to retain vitamins, nutritional value, appearance and flavor.

Several hours before placing fresh food in the freezer compartment, switch on super freezing to prevent an unwanted temperature rise.

As a rule, 4–6 hours is adequate.

This appliance runs constantly, and the freezer compartment drops to a very low temperature.

Smaller quantities of food (up to 4.4 lbs or 2 kg) can be frozen without “super freezing”.

#### Note:

When super freezing is switched on, increased operating noises may occur.

### Switching on and off

Press the "super freezer" button.

If super freezing has been switched on, the button is lit.

Super freezing switches off automatically after approximately 2½ days.

## Thawing frozen food

Depending on the type and application, you can select one of the following options:

- in the refrigerator
- in an electric oven with/without a hot air fan
- in a microwave



### CAUTION:

Do not refreeze partly or completely thawed food. Only ready-to-eat meals (boiled or fried) may be refrozen.

## Interior fittings

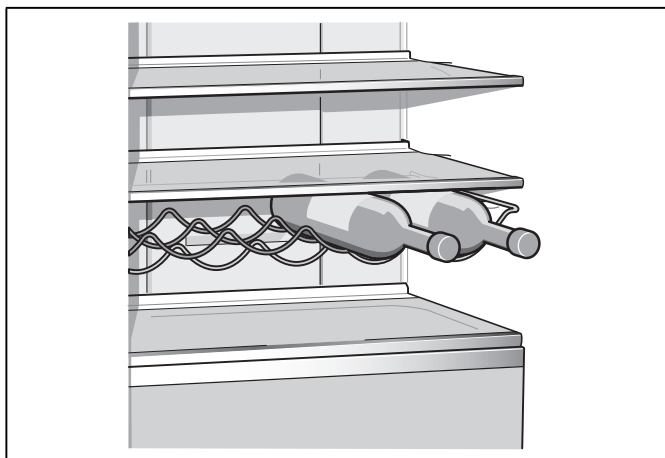
(not all models)

### Shelves and containers

You can vary the shelves inside the appliance and the containers in the door to suit your requirements. Pull shelf forward, lower and swing out to the side. Lift the container and remove.

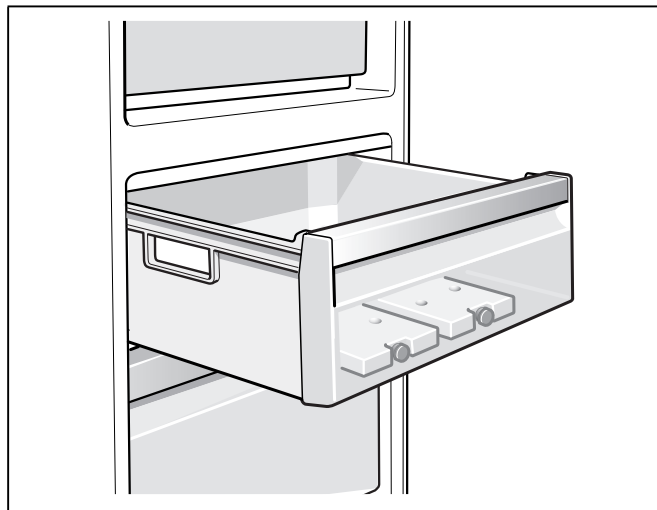
### Bottle shelf

You can store bottles securely on the bottle shelf. The holder is variable.



## Ice pack

If a power failure or malfunction occurs, the ice packs can be used to slow down the thawing process. The longest storage time is obtained by placing the ice pack directly on the food in the top compartment. The ice packs can also be used to cool food temporarily, e.g. in a cold bag.



## Active carbon filter

The activated carbon filter ensures that air is replaced and odors reduced in the appliance. See chapter "Getting to know your appliance".

## Switching off and disconnecting the appliance

### Switching off the appliance

Press the button „On/Off“. Refrigeration unit switches off.

### Disconnecting the appliance

If you do not use the appliance for a prolonged period:

1. Take all food out of the appliance.
2. Switch the appliance off.
3. Pull out mains plug or switch off fuse.
4. Clean the appliance interior (see chapter Cleaning the appliance).
5. Leave the appliance doors open to prevent odours from forming.

## Cleaning the appliance

### ⚠ CAUTION:

- Do not use abrasive, chloride or acidic cleaning agents or solvents.
- Do not use scouring or abrasive sponges. The metallic surfaces could corrode.
- Never clean the shelves or containers in the dishwasher. The parts may become deformed!

### Water used for cleaning must not drip into the

- slots in the front base area in the freezer compartment,
- controls,
- and light.

### Proceed as follows:

1. Before cleaning: Switch the appliance off.
2. Pull out power cord plug or switch off fuse.
3. Take out the frozen food and store in a cool location. Place the ice pack (if enclosed) on the food.
4. Wait until the layer of frost has thawed.
5. Clean the appliance with a soft cloth, lukewarm water and a little pH neutral washing-up liquid. The rinsing water must not run into the light.
6. Wipe the door seal with clear water only and then wipe dry thoroughly.
7. After cleaning reconnect and switch the appliance back on.
8. Put the frozen food back in the freezer compartment.

## Cleaning external surfaces

The external surfaces of the appliance feature a special dirt-repellent coating. This facilitates cleaning and care.

- Clean external surfaces with a damp cloth only.

### ⚠ CAUTION:

To avoid damaging the special coating:

- Do not use any products which leave a protective film on the surface, e.g. stainless steel care oils.
- Do not use any abrasive implements or detergents, e.g. hard sponges, metal brushes, pointed metallic objects or scouring agents.
- Do not use any aggressive detergents or chemical products, e.g. de-icing sprays, oven cleaner, solvents, chlorine bleach or stain remover.

## Interior fittings

All variable parts of the appliance can be taken out for cleaning.

### Take out glass shelves

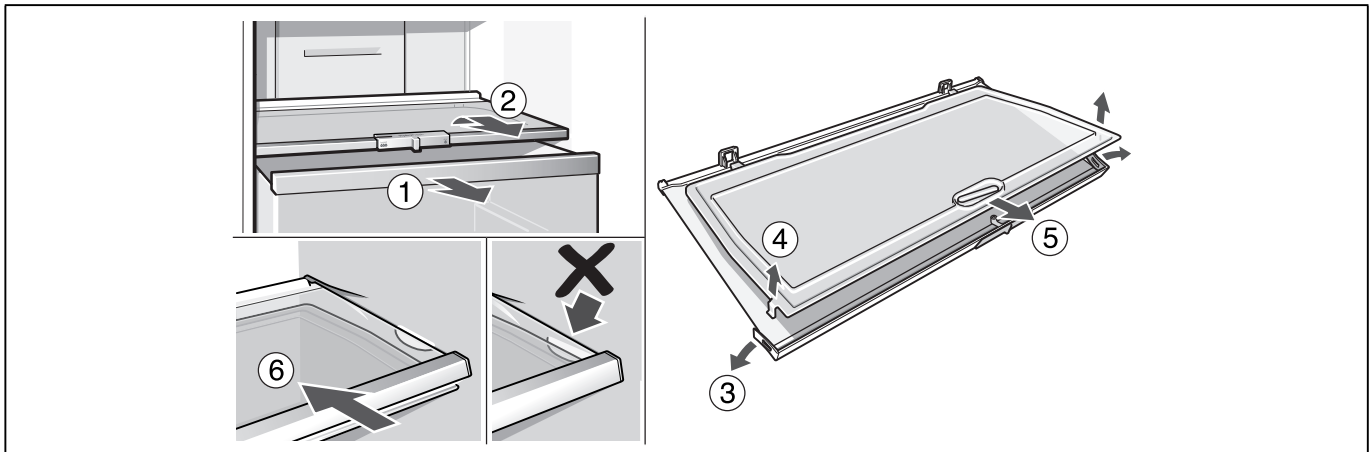
Pull the glass shelves forwards and take out.

### Taking out glass shelf above vegetable container

The glass shelf can be taken out and disassembled for cleaning.

### Note:

Before taking out the glass shelf, pull out vegetable container.



### Glass shelf cold storage compartment

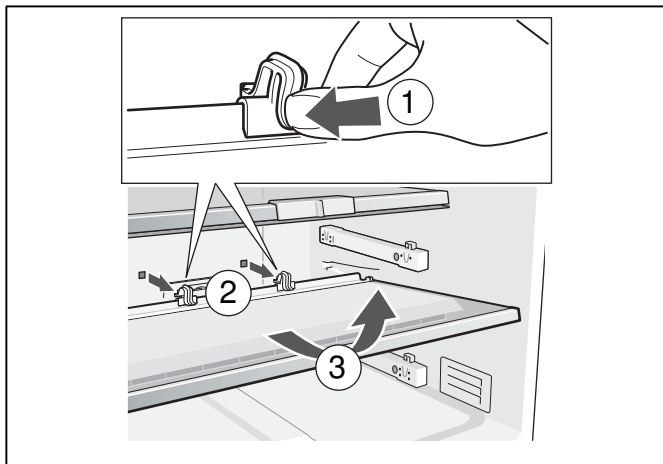
(not all models)

### Note:

Do not clean glass shelf of the cold storage compartment under running water.

Before removing the glass shelf, remove vegetable container and cold storage compartment.

Simultaneously press holders, lift glass shelf and pull forward.



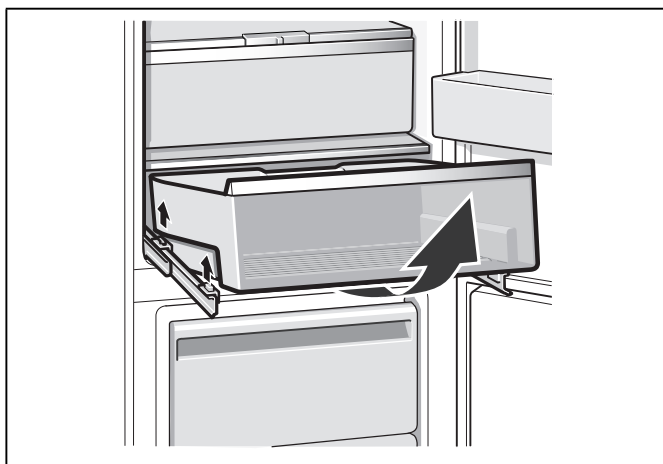
### Drawers in the refrigerator compartment

Pull out the drawer all the way, lift up and remove.

To insert drawer, place the drawer on the telescopic rails and push into the appliance. Attach the drawer by pressing it down.

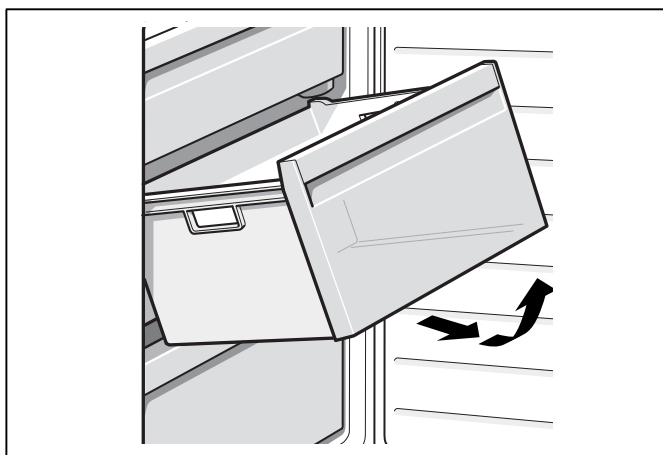
#### Note:

Before the vegetable drawer can be taken out, the glass shelf above must be taken out.



### Taking out the frozen food container

Pull out the frozen food container all the way, lift at the front and remove.



## Light (LED)

Your appliance features a maintenance-free LED light. These lights may be repaired by customer service or authorized technicians only.

## Saving energy

- Install the appliance in a dry, ventilated room. The appliance should not be installed in direct sunlight or in the vicinity of heat sources (e.g. radiator, cooker). If required, use an insulating plate.
- Allow warm food and drinks to cool down before placing them in the appliance.
- Thaw frozen food in the refrigerator compartment and use the low temperature of the frozen food to cool refrigerated food.
- Open the appliance as briefly as possible.
- To avoid increased power consumption, occasionally clean the back of the appliance.
- If available:
  - Fit wall spacers to obtain the indicated energy absorption of the appliance (see Installation instructions). A reduced wall gap will not restrict the function of the appliance. The energy rating may then increase slightly.
- The arrangement of the fittings does not affect the energy absorption of the appliance.

## Operating noises

### Completely normal noises

#### Note:

When super freezing is switched on, increased operating noises may occur.

#### Droning

Motors are running (e.g. refrigeration units, fan).

#### Bubbling, humming or gurgling noises

Refrigerant flowing through the pipes.

#### Clicking

Motor, switches or solenoid valves are switching on/off.

#### Cracking

Automatic defrosting is running.

## Preventing noises

### The appliance is not level

Please align the appliance with a spirit level. Use the height-adjustable feet or place packing underneath them.

### The appliance is not free-standing

Please move the appliance away from adjacent units or appliances.

### Containers or storage areas wobble or stick

Check which parts are removable and, if necessary, re-insert them correctly.

### Bottles or receptacles are touching each other

Move the bottles or receptacles slightly away from each other.

## Rectifying minor faults yourself

Before you call customer service:

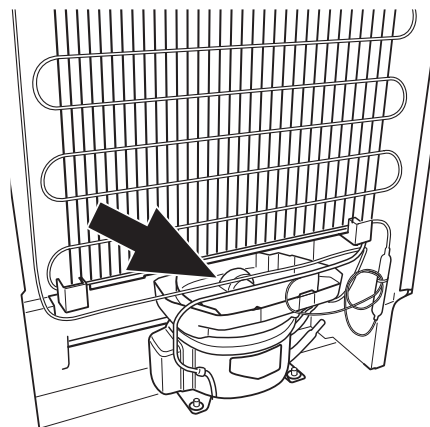
Check whether you can eliminate the fault yourself based on the following information.

Otherwise, you may be charged for a service repair as it would not be covered by the warranty.

Fault	Possible cause	Remedial action
Temperature differs greatly from the set value.		In certain cases it may be enough to switch off the appliance for 5 minutes. If the temperature is too high, wait a few hours and check whether the temperature has approached the set value. If the temperature is too low, check the temperature again the next day.
The light does not work.	Light switch is jammed. The light is defective.	Check whether the light switch can move. (See chapter "Light".)
Controls have reduced luminosity.	When the appliance is not used for some time, the display on the fascia switches to energy saving mode.	As soon as the appliance is again used, e.g. the door is opened, the display switches back to normal illumination.
Displays do not illuminate.	Power cut; the fuse has tripped; the mains plug has not been inserted properly.	Connect the mains plug. Check whether the power is on, and check the fuses.
The temperature in the freezer compartment is too warm.	Appliance opened frequently. The ventilation openings have been covered. Large quantities of fresh food are being frozen.	Do not open the appliance unnecessarily. Remove obstacles. Freeze less fresh food.



Fault	Possible cause	Remedial action
Freezer compartment door was open for a long time; temperature is no longer reached.	The evaporator (refrigeration unit) in the NoFrost system is covered in thick ice and can no longer be automatically defrosted.	<p>To defrost the evaporator, remove the frozen food with the compartments, insulate it well and store it in a cool location.</p> <p>Switch off the appliance and move it away from the wall. Leave the appliance door open.</p> <p>After approximately 20 minutes, the melted water begins to run into the evaporation pan at the rear of the appliance.</p>



To keep the evaporation pan from overflowing, mop up the condensation with a sponge.



**CAUTION:**

**RISK OF BURNS:**

Parts may be hot. Proceed with caution.

The evaporator is defrosted when no more water is running into the evaporation pan. Clean the interior. Switch the appliance back on.

## Customer service

If required, we recommend that you have the door hinges changed over by our customer service. You can find out the costs for changing over the door hinges from your customer service.

Before you call customer service, see the chapter Rectifying minor faults yourself.

After checking according to the chapter Rectifying minor faults yourself, additional help can be requested by calling the Bosch Customer Support Center, 1-800-944-2904 (toll-free), from anywhere in the United States.

In Canada contact your Bosch customer service or call 1-800-944-2904.

Write down the following information about your appliance so that you have it ready and can get better assistance if you require support from customer service.

Dealer's name: \_\_\_\_\_

Address: \_\_\_\_\_

Telephone number: \_\_\_\_\_

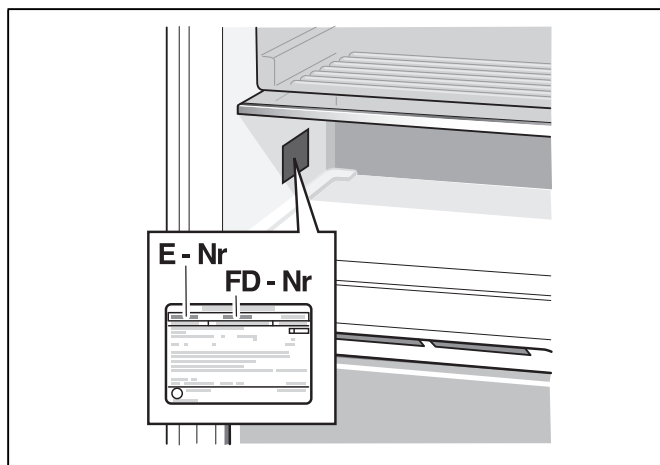
Purchase date: \_\_\_\_\_

Model number: \_\_\_\_\_

FD number: \_\_\_\_\_

Serial number

Type



## es Índice

Indicaciones de seguridad importante .....	19	Superfrío .....	27
Definición .....	19	Activar y desactivar .....	27
Antes de poner el aparato en°funcionamiento .....	19	Compartimento de congelación.....	27
Seguridad técnica .....	19	Usos del compartimento de congelación .....	27
Durante el uso.....	20	Congelación y almacenamiento.....	27
Niños en el°hogar.....	20	Al comprar alimentos congelados.....	27
Información general.....	20	Prestar atención al colocar los alimentos .....	27
Advertencias en virtud de la Proposición 65 del		Guardar los alimentos congelados.....	27
estado de California.....	20	Congelar alimentos frescos .....	27
Indicaciones para la eliminación.....	21	Embalar los productos congelados.....	27
♻️ Eliminación del embalaje .....	21	Plazo de conservación de los productos congelados	28
♻️ Eliminación de los aparatos usados.....	21	Super congelación.....	28
Material entregado.....	21	Activar y desactivar .....	28
Instalar el aparato .....	21	Descongelar los alimentos.....	28
Transporte.....	21	Equipamiento .....	28
Lugar de instalación .....	21	Estantes y recipientes .....	28
Ventilación .....	22	Balda portabotellas .....	28
Conectar el aparato.....	22	Acumuladores de frío .....	29
Conexión a la red eléctrica .....	22	Filtros de carbón activo.....	29
Familiarizándose con el aparato .....	23	Apagar y°cerrar el aparato .....	29
Mandos.....	24	Desconectar el aparato.....	29
Conectar el aparato.....	24	Paro del aparato.....	29
Advertencias relativas al funcionamiento del aparato		Limpieza del aparato.....	29
25		Modo de proceder: .....	29
Ajustar la temperatura.....	25	Limpiar la superficie exterior.....	30
Compartimento frigorífico .....	25	Equipamiento .....	30
Compartimento de congelación .....	25	Iluminación (LED).....	31
Modalidad de ahorro energético .....	25	Ahorro de energía.....	31
Función «alarm» .....	25	Ruidos de funcionamiento del aparato.....	31
Alarma de la puerta .....	25	Ruidos completamente normales .....	31
Alarma de temperatura .....	25	Evitar ruidos.....	31
Desactivar la alarma .....	25	Pequeñas averías de fácil solución.....	32
Capacidad útil.....	25	Servicio al cliente .....	34
Aprovechar toda la capacidad de congelación del			
aparato .....	25		
Compartimento refrigerador.....	26		
Puntos a observar al guardar los alimentos.....	26		
¡Prestar atención a las diferentes zonas de frío del			
frigorífico! .....	26		
Cajón para la verdura con regulador de humedad	26		
Compartimento fresco.....	26		

# Indicaciones de seguridad importante

## ¡LEER Y CONSERVAR ESTAS INDICACIONES!

### Definición

#### AVISO:

Esto indica que la muerte o lesiones graves pueden ocurrir como resultado del incumplimiento de esta advertencia.

#### ATENCION:

Esto indica que lesiones leves o moderadas pueden ocurrir como resultado del incumplimiento de esta advertencia.

### Antes de poner el aparato en ° funcionamiento

¡Lea detenidamente las instrucciones de uso y de montaje! Contienen ° información importante sobre la instalación, el uso y el mantenimiento ° del aparato.

El fabricante no se hace responsable si las instrucciones de uso y advertencias no se observan correctamente. Guarde toda la información para consultas posteriores o para el próximo propietario.

### Seguridad técnica

#### En caso de daños:

- Mantener el fuego abierto o las fuentes de ignición alejados del aparato,
- Ventilar el recinto durante varios minutos,
- Apagar el aparato y desconectar el enchufe,
- Notificar al Servicio al cliente.

Cuanto mayor sea la cantidad de refrigerante contenida en el aparato, mayor deberá ser el área donde se lo ubique. En los espacios demasiado pequeños, puede generarse una mezcla inflamable de aire y gas en caso de una fuga.

Por cada 8 g de refrigerante, la dimensión de la habitación debe tener por lo menos 36 pies<sup>3</sup> (1 m<sup>3</sup>). La cantidad de refrigerante en su aparato se indica en la placa de características, que se encuentra en el interior del mismo.

#### Se utiliza un refrigerante inflamable. Peligro de incendios o explosiones.

Este aparato debe ser reparado exclusivamente por personal especializado autorizado. Tener en cuenta todas las indicaciones de seguridad y advertencia. No abrir los tubos del refrigerante por la fuerza. Seguir cuidadosamente las indicaciones de operación. Elimine el aparato según los reglamentos correspondientes y de acuerdo con las leyes locales o regulaciones federales vigentes.

Si el cable de alimentación de este aparato está dañado, solamente el fabricante, el proveedor de servicio autorizado o personas con una calificación profesional similar, podrán sustituirlo. Una incorrecta instalación o reparación puede implicar serios peligros para el usuario.

Las reparaciones sólo podrán ser ejecutadas por el fabricante, el proveedor de servicio autorizado o personas con una calificación profesional similar.

Sólo podrán utilizarse piezas originales del fabricante. Sólo con las piezas originales puede garantizar el fabricante que se cumplen los requisitos de seguridad.

El aparato viene con un cable de alimentación de 3 hilos según la certificación UL (Underwriters Laboratories, dispositivos de conexión certificados según la norma norteamericana y canadiense).

Bajo ninguna circunstancia se debe cortar o quitar el tercero (es decir, la tierra) del cable de conexión.

El aparato requiere de una tomacorriente de 3 polos. La tomacorriente solo debe ser conectada por un electricista calificado.

Si se dispone de una tomacorriente de pared estándar de 2 polos, es responsabilidad personal del cliente reemplazarla por una tomacorriente de pared de 3 polos con tomacorriente de acuerdo a las indicaciones. No utilizar adaptadores para la clavija.



# Indicaciones de seguridad importante

¡LEER Y CONSERVAR ESTAS INDICACIONES!

## Durante el uso

- Nunca use aparatos eléctricos en el interior del aparato (por ejemplo calentadores, máquinas de hielo eléctricas, etc.). ¡Peligro de explosión!
- ¡Nunca utilice ningún tipo de limpiador de vapor para derretir la escarcha o limpiar el aparato! El vapor puede llegar a las piezas eléctricas y provocar un cortocircuito. ¡Peligro de descargas eléctricas!
- No utilizar objetos puntiagudos o afilados para quitar las capas de escarcha o hielo. Podrían dañar la tubería del refrigerante. El refrigerante que salpique puede inflamarse o causar lesiones en los ojos.
- No guardar productos con gases propelentes inflamables (por ejemplo, envases en aerosol) ni sustancias explosivas. ¡Peligro de explosión!
- No usar zócalos, piezas extensibles, puertas, etc. para pararse encima o como apoyo.
- Para limpiar desconectar el enchufe o apagar el fusible. Tirar del enchufe, no del cable de conexión.
- Almacenar el alcohol de alta graduación solamente en recipientes herméticos y en posición vertical.
- No ensuciar las partes de plástico y las juntas de las puertas con aceite o grasa. En caso contrario, las piezas de plástico y las juntas de la puerta se vuelven porosas.
- Nunca cubra u obstruya las rejillas de ventilación del aparato.
- **Evitar riesgos para los niños y las personas con discapacidad:**  
El aparato no debe ser utilizado por los niños cuando no estén supervisados por un adulto, o por personas discapacitadas sin ayuda.  
Nunca dejar que los niños jueguen con el aparato.
- En el compartimento de congelación nunca almacene líquidos en botellas o latas (especialmente las bebidas carbonatadas). ¡Las botellas y las latas pueden estallar!
- Nunca introduzca productos congelados a su boca, inmediatamente después de sacarlos del compartimento de congelación.  
¡Peligro de quemaduras por congelación!
- Evite el contacto prolongado de las manos con los productos congelados, el hielo o los tubos del evaporador, etc.  
¡Peligro de quemaduras por congelación!

## Niños en el hogar

- No dejar el embalaje o sus partes a los niños.  
¡Existe peligro de asfixia a causa de los cartones y las láminas de plástico!
- ¡El aparato no es un juguete para niños!
- En aparatos con cierre de puerta:  
¡Guarde la llave fuera del alcance de los niños!

## Información general

El aparato es adecuado

- Para la refrigeración y la congelación de alimentos,
  - Para la fabricación de hielo,
- Este aparato ha sido diseñado para el uso doméstico en el hogar particular y su entorno.  
Este aparato está previsto para ser utilizado a una altura máxima de 2,000 metros sobre el nivel del mar.

## Advertencias en virtud de la Proposición 65 del estado de California

Este producto puede contener un químico que el Estado de California reconoce como potencialmente cancerígeno o causante de daños reproductivos. Por tanto, su producto debe llevar en su embalaje la siguiente etiqueta de conformidad con la legislación de California:

**STATE OF CALIFORNIA PROPOSITION 65 WARNING: /  
AVERTISSEMENT ISSUE DE LA PROPOSITION 65  
DE L'ÉTAT DE LA CALIFORNIE:**

## WARNING / AVERTISSEMENT

Cancer and Reproductive Harm / Cancer et dommages à la reproduction - [www.P65Warnings.ca.gov](http://www.P65Warnings.ca.gov).

## Indicaciones para la eliminación

### Eliminación del embalaje

El embalaje protege el aparato de daños durante el transporte. Todos los materiales utilizados son reciclables y no dañan el medio ambiente. Contribuya con métodos de eliminación del embalaje respetuosos con el medio ambiente.

Su distribuidor especializado o las autoridades locales le informarán sobre las opciones existentes para la eliminación.

### Eliminación de los aparatos usados

¡Los aparatos usados no son basura sin valor! Mediante la eliminación consciente del medio ambiente, se pueden recuperar materiales valiosos de nuevo.

#### AVISO:

En aparatos usados

1. Desconecte el enchufe.
2. Corte el cable de conexión y separe el enchufe.
3. ¡No retire los estantes y contenedores para dificultar que los niños se suban dentro del aparato!
4. Para evitar que los niños se encierren en el aparato usado:  
¡Quite las puertas del aparato!
5. No permita que los niños jueguen con el aparato usado. ¡Peligro de asfixia!

Los refrigeradores contienen refrigerantes y gases en el aislante. Los refrigerantes y los gases deben ser eliminados de acuerdo a la legislación. No dañe las tuberías del refrigerante antes de su eliminación de acuerdo a la legislación.

## Material entregado

Compruebe que las piezas no presentan daños ni desperfectos debidos al transporte después de desembalarlas.

#### ATENCION:

No instale el aparato en caso de estar defectuoso.

En caso de tener problemas, recurra al distribuidor donde adquirió el aparato o a nuestro Servicio al cliente.

#### La entrega consiste de las siguientes partes:

- Aparato de libre instalación
- Equipamiento (según modelo)
- Bolsa con material de montaje
- Instrucciones de uso
- Instrucciones de montaje
- Cuaderno de Servicio al cliente
- Suplemento de la garantía
- Informaciones sobre el consumo de energía y los ruidos del aparato

## Instalar el aparato

Un especialista deberá instalar el aparato de acuerdo con las instrucciones de montaje adjuntas.

#### AVISO:

No instale este aparato:

- Al aire libre,
- En un entorno con agua que gotea,
- En espacios con riesgos de heladas.

### Transporte

El aparato es pesado. ¡Asegurar durante el transporte e instalación!

#### AVISO:

Para disminuir el riesgo de lesiones o daños al aparato, debido al peso y las dimensiones del aparato, se necesitan por lo menos dos personas para la instalación segura del aparato.

### Lugar de instalación

El lugar más adecuado para la instalación del aparato es una habitación seca, dotada de una buena ventilación. El lugar de instalación no debe recibir directamente los rayos del sol, ni tampoco encontrarse próximo a fuentes de calor como estufas, radiadores, etc. Si la instalación cerca de una fuente de calor fuera inevitable, utilice un panel aislante adecuado, u observe las siguientes distancias mínimas de separación con respecto a la fuente de calor:

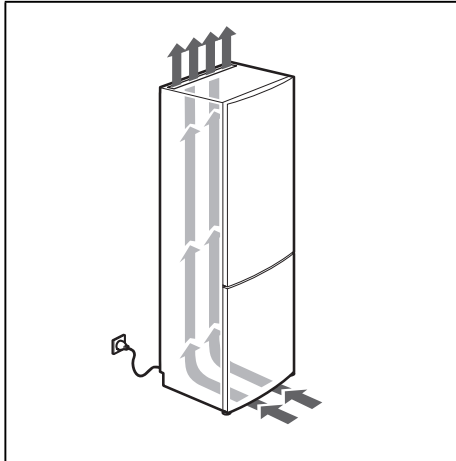
- Estufas eléctricas y de gas 1<sup>1</sup>/<sub>4</sub>°°(3°cm).
- Estufas de aceite o de carbón 11<sup>13</sup>/<sub>16</sub>" (30 cm).

El suelo en el lugar de instalación debe ser suficientemente resistente, en caso necesario, deberá reforzarse.

## Ventilación

El aire en las paredes posterior y laterales se calienta durante el funcionamiento normal del aparato. El aire recalentado debe poder escapar libremente. De lo contrario, el aparato tendrá que aumentar su rendimiento, provocando un consumo de energía eléctrica elevado e inútil. Por esta razón habrá que prestar particular atención a que las aberturas de ventilación y aireación no estén nunca obstruidas!

Encajar los elementos distanciadores suministrados con el aparato en el soporte previsto a tal efecto en la parte posterior del mismo. De esta manera se observa una distancia mínima respecto a la pared.



## Conectar el aparato

Después de instalar el aparato, espere por lo menos 8 horas antes de ponerlo en funcionamiento. Durante el transporte del aparato puede ocurrir que el aceite contenido en el compresor penetre en el sistema de refrigeración.

Limpiar el interior del aparato antes de su primera puesta en marcha (ver el capítulo «Limpieza del aparato»).

### Conexión a la red eléctrica

#### ⚠ AVISO:

Peligro de descarga eléctrica!

Conecte el aparato sólo a una toma de corriente tripolar con toma de tierra. No quitar nunca la fase de toma de tierra. No utilizar adaptadores. No utilizar cables de prolongación.

#### ⚠ AVISO:

Peligro de descarga eléctrica!

La conexión incorrecta del aparato puede ser causa de muerte, incendios o descargas eléctricas. En caso de una conexión incorrecta del conductor de protección pueden producirse descargas eléctricas. Si tiene dudas respecto a que la conexión a tierra del aparato sea la

correcta, deje que un electricista calificado o un técnico de servicio revise el aparato.

#### ⚠ AVISO:

Peligro de descarga eléctrica!

Si la longitud del cable de conexión a la red eléctrica no es suficiente, no utilice nunca tomas de corriente múltiples o cables de prolongación. En su lugar, póngase en contacto con el servicio al cliente para examinar alternativas.

Para conectar este aparato se requiere de una toma de corriente instalada de forma permanente.

La toma de corriente deberá encontrarse cerca del aparato y también estar fácilmente accesible después de la instalación del mismo.

El aparato corresponde al tipo de protección I. Conecte el aparato a una toma de corriente instalada conforme a las prescripciones. Conforme a las prescripciones significa: con un conductor de protección, 110 V – 120 V/60 Hz de corriente alterna. La toma de corriente debe estar protegida con un fusible de 10 – 16 A.

El aparato se entrega con un cable de conexión a la red eléctrica de 3 hilos según la certificación UL. El aparato requiere de una toma de corriente de 3 polos.

En este contexto, por favor tenga en cuenta la siguiente tabla:

Aparato	Carga simultánea máxima
Combinación de frigorífico y congelador	6 A

Compruebe en la placa de características, si coinciden la tensión indicada y el tipo de corriente con los valores de su red eléctrica. La posición de la placa de características la encuentra en el capítulo Servicio al cliente.

#### ⚠ AVISO:

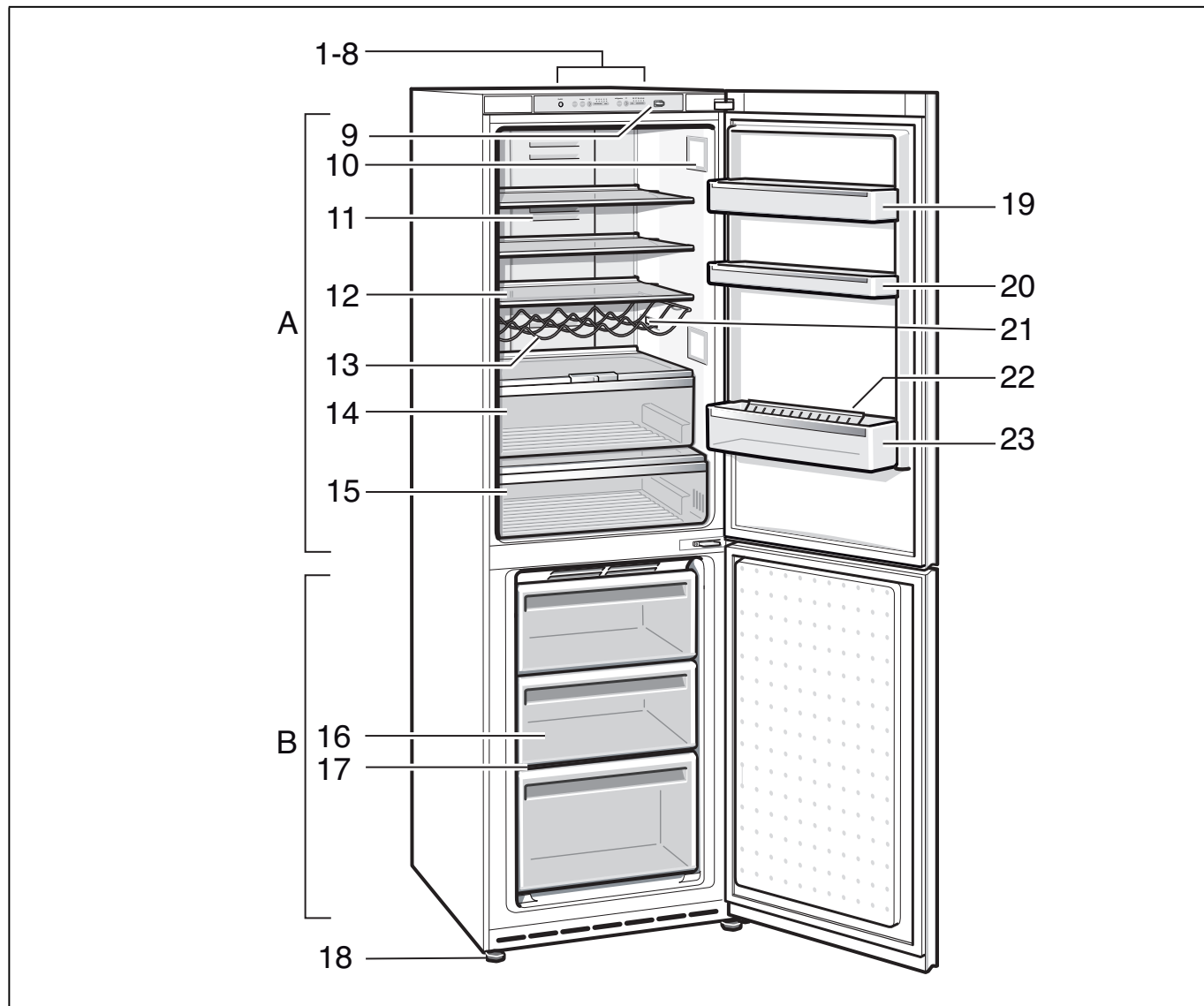
El aparato no puede estar conectado en ningún caso a ahorradores de energía electrónicos.

Para el uso de nuestros aparatos se pueden utilizar convertidores sinusoidales o conmutados por la red. Los convertidores conmutados por la red se utilizan en los sistemas fotovoltaicos, que se conectan directamente a la red eléctrica pública. En soluciones aisladas (por ejemplo en buques o refugios de montaña), que no tengan conexión directa a la red eléctrica pública, se deben utilizar convertidores sinusoidales.

## Familiarizándose con el aparato

Las presentes instrucciones de uso son válidas para varios modelos.

El equipamiento de los modelos puede variar. Puede haber diferencias con las ilustraciones.

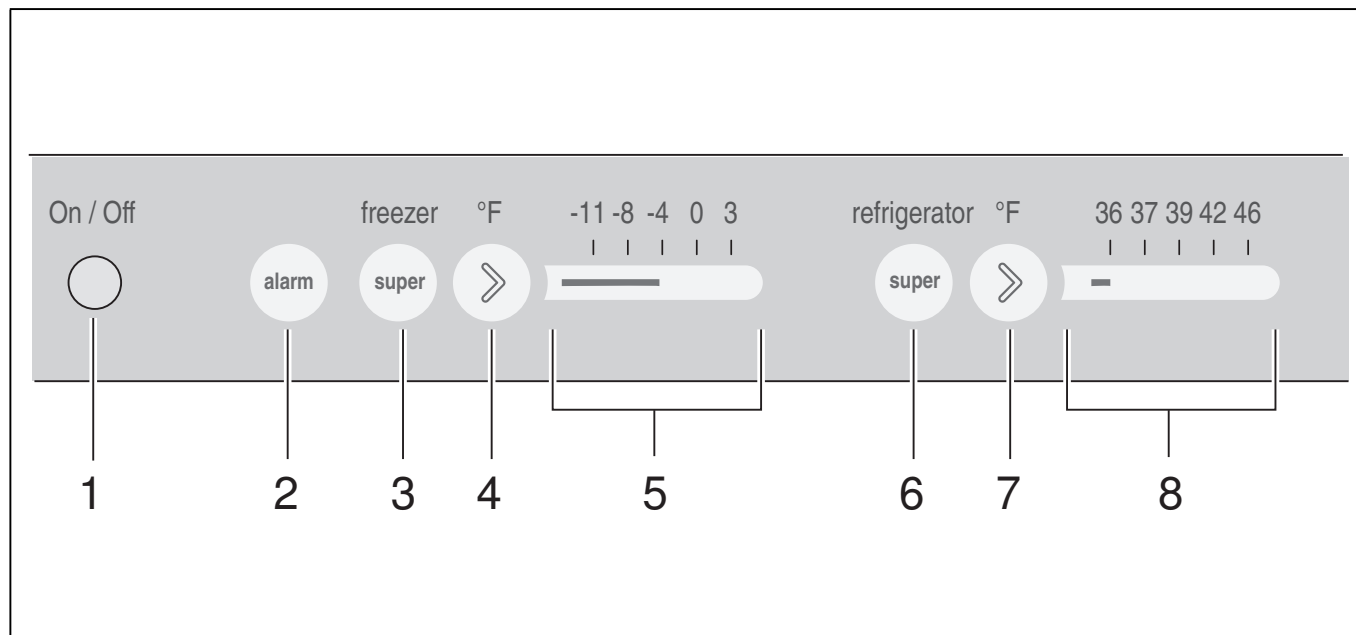


A Compartimento refrigerador  
 B Compartimento de congelación

1-8 Mandos  
 9 Interruptor de la iluminación interior  
 10 Iluminación interior (LED)  
 11 Abertura de salida del aire  
 12 Baldas en el compartimento frigorífico  
 13 Soporte para botellas  
 14 Contenedor para verduras

15 Compartimento fresco  
 16 Cajón de congelación  
 17 Rejilla congeladora  
 18 Soportes roscados  
 19 Huevera  
 20 Estante de la puerta  
 21 Filtros de carbón activo  
 22 Retenedor de botellas  
 23 Estante para guardar botellas grandes

## Mandos



- 1 **Tecla „On/Off“**  
Para la conexión y desconexión del aparato completo.
- 2 **Tecla „alarm“**  
Desactiva la alarma acústica (véase el capítulo «Función alarma»).
- 3 **Tecla „super freezer“**  
Conecta y desconecta la función de supercongelación.
- 4 **Tecla „> °F“**  
Sirve para ajustar la temperatura del compartimento de congelación.
- 5 **Pantalla de visualización compartimento de congelación**  
Muestra la temperatura actual ajustada en el compartimento de congelación.
- 6 **Tecla „super refrigerator“**  
Conecta y desconecta la función de superfrío.
- 7 **Tecla „> °F“**  
Sirve para ajustar la temperatura del compartimento frigorífico.
- 8 **Pantalla de visualización del compartimento frigorífico**  
Muestra la temperatura actual ajustada en el compartimento frigorífico.

## Conectar el aparato

1. Conectar el aparato a través de la tecla „On/Off“. Se produce una señal acústica de aviso. La tecla „alarm“ parpadea.
2. Pulsar la tecla „alarm“. La alarma acústica está desactivada.  
La tecla „alarm“ permanece iluminada hasta que se ha alcanzado la temperatura ajustada en el compartimento de congelación.  
Estando la puerta abierta se activa la iluminación interior del compartimento frigorífico.

### Nota:

En caso de pulsar el interruptor para la iluminación interior estando la puerta abierta, se apagan la iluminación interior y las indicaciones del cuadro de mandos.

Las temperaturas preestablecidas se alcanzan después de varias horas. No introducir ningún alimento antes en el aparato.

De fábrica se recomiendan las siguientes temperaturas:

- Compartimento de congelación: 0 °F (-18 °C)
- Compartimento refrigerador: 39 °F (+4 °C)



## Advertencias relativas al funcionamiento del aparato

- El aparato puede necesitar varias horas hasta alcanzar todas las temperaturas ajustadas.
- Gracias al sistema automático No Frost, el compartimento de congelación permanece libre de escarcha, no siendo necesario efectuar su desescarchado. Por ello no hay que realizar el desescarchado del mismo.
- Los lados frontales del cuerpo del aparato son calentados ligeramente. De este modo se impide la formación de agua de condensación en la zona de la junta de la puerta.
- En caso de no poder abrir la puerta del compartimento de congelación inmediatamente después de cerrarla, aguardar unos instantes hasta que la depresión generada haya sido compensada.

## Ajustar la temperatura

### Compartimento frigorífico

La temperatura se puede ajustar de 36 °F a 46 °F (+2 °C a +8 °C).

Pulsar la tecla de ajuste de la temperatura „> °F“ repetidas veces, hasta alcanzar el valor que se desea ajustar en el compartimento frigorífico.

El valor mostrado en último lugar es memorizado. La temperatura ajustada se muestra en la indicación de la temperatura.

Aconsejamos ajustar en el compartimento frigorífico una temperatura de 39 °F (+4 °C).

Los alimentos delicados no deberán guardarse a una temperatura superior (más calor) a 39 °F (+4 °C).

### Compartimento de congelación

La temperatura se puede ajustar de 3 °F a -11 °F (-16 °C a -24 °C).

Pulsar la tecla de ajuste de la temperatura „> °F“ repetidas veces, hasta alcanzar el valor que se desea ajustar en el compartimento de congelación.

El valor mostrado en último lugar es memorizado. La temperatura ajustada se muestra en la indicación de la temperatura.

## Modalidad de ahorro energético

En caso de no accionarse los mandos, la indicación de los elementos de mando cambia al modo de ahorro energético.

En tal caso, sólo los pilotos de aviso imprescindibles permanecen iluminados con una intensidad reducida. Tan pronto como se acciona el aparato, abriendo por ejemplo la puerta, la indicación conmuta al estado de iluminación normal.

## Función «alarm»

La alarma se puede producir en los siguientes casos:

### Alarma de la puerta

Si la puerta del equipo está abierta por un tiempo mayor a un minuto, se activa la alarma correspondiente. La señal se desactiva cerrado la puerta o accionando el pulsador 2.

### Alarma de temperatura

La alarma de temperatura se activa en caso de registrarse en el compartimento de congelación una temperatura demasiado elevada (calor) y existir el peligro de que los alimentos congelados se descongelen.

- Tecla „alarm“ parpadea: Los productos congelados corren o han corrido riesgo de deteriorarse en algún momento.
- Tecla „alarm“ se ilumina: Los productos congelados no corren riesgo de deteriorarse.

La alarma puede activarse, sin significar por ello ningún peligro de deterioro inmediato de los alimentos, en los casos siguientes:

- al poner en marcha el aparato
- al introducir grandes cantidades de alimentos frescos
- en caso de haber estado abierta la puerta del compartimento de congelación durante un periodo demasiado prolongado

#### Nota:

No volver a congelar los alimentos que se hayan descongelado o empezado a descongelarse. Sólo se podrán volver a congelar tras asarlos, freírlos, hervirlos o preparar con ellos platos cocinados.

### Desactivar la alarma

Pulsar la tecla «alarm» para desactivar la alarma acústica.

## Capacidad útil

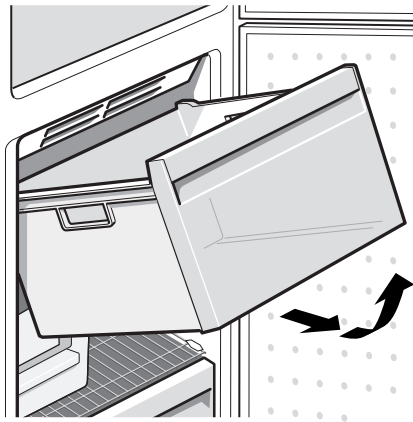
Las indicaciones sobre la capacidad útil los encuentra en la placa de características del aparato (véase la ilustración en el capítulo «Servicio al cliente»).

### Aprovechar toda la capacidad de congelación del aparato

Para congelar la máxima cantidad de alimentos admisible se pueden retirar todos los cajones de congelación del aparato, excepto el cajón inferior. Los alimentos se pueden colocar directamente sobre las rejillas congeladoras.

#### Retirar los elementos y accesorios del aparato

Desplazar el cajón de congelación hacia el cuerpo del usuario hasta el tope, levantarlo por la parte frontal y retirarlo del aparato.



## Compartimento refrigerador

El compartimento refrigerador es el lugar ideal para guardar carne, embutidos, pescado, productos lácteos, huevos, platos preparados y productos horneados.

### Puntos a observar al guardar los alimentos

- Guarde alimentos frescos y en perfectas condiciones. De este modo conservarán su calidad y frescura durante más tiempo.
- En el caso de productos precocinados o alimentos envasados deberán observarse las fechas de caducidad o de consumo señaladas por el fabricante.
- Para conservar el aroma, color y frescura, ordene los alimentos bien envueltos o cubiertos. De este modo se evitan las transferencias de sabor y de coloración de los piezas de plástico en el compartimento refrigerador.
- Dejar enfriar los alimentos y bebidas calientes, antes de introducirlos en el aparato.

#### Nota:

Evite el contacto entre los alimentos y el panel posterior. La circulación del aire se verá afectada en caso contrario.

Los alimentos o sus embalajes pueden congelarse en el panel posterior.

### ¡Prestar atención a las diferentes zonas de frío del frigorífico!

En función de la circulación del aire en el interior del frigorífico, se crean en éste diferentes zonas de frío.

#### ■ La zona más fría

se encuentra en el panel posterior y el compartimento fresco. Véase el capítulo Familiarizándose con la unidad.

#### Nota:

Un consejo práctico: Guarde en las zonas más frías los alimentos más delicados (por ejemplo pescado, embutido, carne).

#### ■ La zona de menos frío

se encuentra en la parte superior de la cara interior de la puerta.

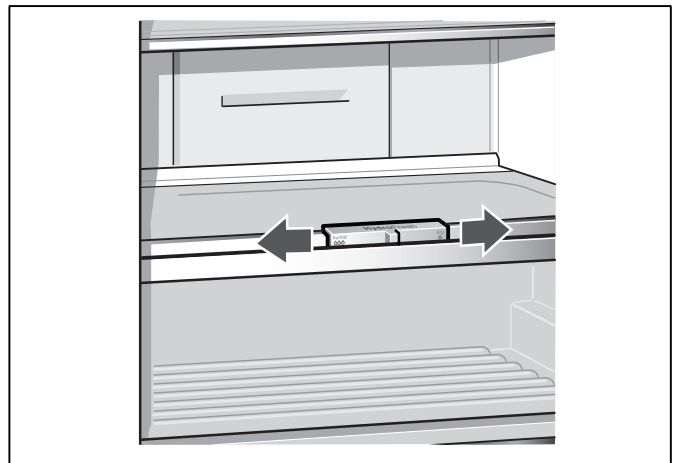
#### Nota:

Guardar, por ejemplo, en la zona menos fría el queso curado y la mantequilla. De esta manera el queso conservará su aroma y la mantequilla se podrá untar en el pan fácilmente.

### Cajón para la verdura con regulador de humedad

Para crear el clima de almacenamiento óptimo para la fruta y verdura se puede regular – en función de las cantidades de alimentos introducidos – la humedad del aire en el cajón para la verdura:

- pequeñas cantidades de fruta y verdura – elevado grado de humedad del aire
- grandes cantidades de fruta y verdura – bajo grado de humedad del aire



#### Nota:

- La fruta (por ejemplo, piñas, plátanos, papayas y cítricos) y la verdura (berenjenas, pepinos, calabacines, pimientos, tomates y patatas) sensibles al frío deberán guardarse fuera del frigorífico a una temperatura de aprox. 46 °F a 54 °F (+8 °C a +12 °C) a fin de conservar óptimamente su calidad y sabor.
- En función de la cantidad y el tipo de alimento guardado en el cajón para la verdura, puede formarse agua de condensación en el mismo. Eliminar el agua de condensación con un paño seco y adaptar el grado de humedad del aire del cajón para la verdura a través del mando regulador de humedad.

### Compartimento fresco

Véase el capítulo «Familiarizándose con la unidad».

En el compartimento fresco reina una temperatura más baja (frío) que en el compartimento frigorífico, pudiendo registrarse también temperaturas inferiores a 32 °F (0 °C).

El compartimento es ideal para guardar el pescado, la carne y el embutido. No es apropiado para guardar lechugas, verduras y alimentos sensibles al frío.

## Superfrío

Mediante esta función se enfría el compartimento frigorífico durante aprox. 6 horas hasta alcanzar la temperatura más baja posible, conmutando a continuación a la temperatura ajustada con anterioridad a la activación de la opción.

La función de superfrío se selecciona en caso de:

- antes de introducir grandes cantidades de alimentos.
- desear enfriar rápidamente bebidas.

### Activar y desactivar

Pulsar la tecla „super refrigerator“.

La tecla se ilumina estando activada la función de superfrío.

## Compartimento de congelación

### Usos del compartimento de congelación

- Para guardar los alimentos congelados.
- Para fabricar cubos de hielo.
- Para congelar alimentos frescos.

#### Nota:

¡Asegúrese de que la puerta del compartimento de congelación esté siempre cerrada! Con la puerta abierta, los productos congelados se descongelan y el compartimento de congelación se cubre de hielo en gran medida. Además: ¡hay desperdicio de energía por el elevado consumo de energía eléctrica!

## Congelación y almacenamiento

### Al comprar alimentos congelados

- El envase no debe estar dañado.
- Se debe tener en cuenta la fecha de caducidad.
- La temperatura del mostrador de ventas debe estar a 0 °F (-18 °C) o más fría.
- De ser posible, transportar los alimentos congelados en una bolsa isotérmica y colocarlos rápidamente en el compartimento de congelación.

### Prestar atención al colocar los alimentos

- Colocar las cantidades más grandes de alimentos preferentemente en el compartimento superior. Allí se congelan de un modo particularmente rápido y cuidadoso.
- Distribuir los alimentos ampliamente en los compartimentos o los contenedores para productos congelados.

#### Nota:

Los productos congelados no deben entrar en contacto con los alimentos frescos que se desean congelar. En caso necesario, vuelva a apilar los alimentos congelados en otros contenedores para productos congelados.

## Guardar los alimentos congelados

Cerciorarse de que el cajón de congelación esté introducido a tope en el aparato a fin de asegurar una circulación impecable del aire por el aparato.

En caso de desear congelar una gran cantidad de alimentos se pueden retirar todos los cajones de congelación excepto el último, colocando los alimentos directamente sobre las rejillas congeladoras. Para retirar el cajón de congelación, tirar del mismo hacia el cuerpo del usuario hasta el tope, levantarlos ligeramente por su parte frontal y retirarlos del aparato.

## Congelar alimentos frescos

Para congelar utilice únicamente alimentos frescos y en perfectas condiciones.

Para mantener el valor nutricional, sabor y color de las verduras tanto como sea posible, deben escaldarse antes de su congelación. Las berenjenas, los pimientos, las calabazas y los espárragos no hay que escaldarlos. La literatura sobre congelación y escaldado la encuentra en las librerías.

#### Nota:

Procurar que los alimentos congelados que ya hubiera en el congelador no entren en contacto con los alimentos frescos que se desean congelar.

- Alimentos adecuados para la congelación:
  - Pan y bollos, pescado y marisco, carne, caza, aves, verduras y hortalizas, frutas, hierbas aromáticas, huevos sin cáscara, productos lácteos tales como queso, mantequilla, platos cocinados y restos de comidas como sopas, potajes, carnes o pescados cocinados, platos de papas, guisos y platos dulces.
- Alimentos que no deben congelarse:
  - Verduras que se consumen normalmente crudas, como lechugas o rábanos, huevos con cáscara, uvas, manzanas enteras, peras y melocotones, huevos duros, yogurt, leche agria, crema agria, crema fresca y mayonesa.

### Embalar los productos congelados

Envasar los alimentos herméticamente para que no se deshidraten o pierdan su sabor.

1. Introducir los alimentos en el embalaje.
2. Eliminar todo el aire.
3. Cerrarlo herméticamente.
4. Marcar los envases, indicando su contenido y la fecha de congelación.

#### Apropiado como embalaje:

Película de plástico, rollo de película de polietileno, papel de aluminio, envases para la congelación. Estos productos pueden encontrarse en comercios especializados.

#### No apropiado como embalaje:

Papel de envolver, papel de pergamino, celofán, bolsas de basura, bolsas usadas de compras.

### Adecuado para el cierre:

Anillos de goma, clips de plástico, hilos para atar, cinta adhesiva resistente al frío, entre otros.

Las bolsas y el rollo de película de polietileno se pueden cerrar mediante termosellado.

### Plazo de conservación de los productos congelados

El plazo de conservación depende del tipo de alimento. A una temperatura de 0 °F (-18 °C):

- Pescado, embutidos, comidas preparadas, productos de panadería:  
hasta 6 meses
- Queso, aves y carne:  
hasta 8°meses
- Fruta, verdura:  
hasta 12°meses

---

## Super congelación

Los alimentos deben congelarse totalmente lo más rápidamente posible para que conserven las vitaminas, los valores nutricionales, la apariencia y el sabor.

Encienda la super congelación, unas horas antes de introducir los alimentos frescos, para evitar un incremento no deseado en la temperatura.

Normalmente basta con 4-6 horas.

El aparato funciona de forma continua después de encenderlo, en el interior del compartimento de congelación se alcanza una temperatura<sup>o</sup> muy fría. Pequeñas cantidades de alimentos (hasta 4.4 lb o 2 kg) se pueden congelar sin necesidad de activar la supercongelación.

#### Nota:

Si está encendida la super congelación, pueden aumentar el ruido de funcionamiento.

### Activar y desactivar

Pulsar la tecla "super freezer".

En caso de estar activada la supercongelación, la tecla se ilumina.

La función de supercongelación se desactiva automáticamente pasados aprox. 2 días y medio.

---

## Descongelar los alimentos

Según el tipo y la naturaleza de su uso, se puede elegir entre las siguientes posibilidades:

- en el refrigerador
- en el horno eléctrico con/sin ventilador de aire caliente
- en el horno microondas

### ⚠ ATENCION:

No volver a congelar los alimentos que se hayan descongelado o empezado a descongelarse. Sólo se podrán volver a congelar tras asarlos, freírlos, hervirlos o preparar con ellos platos cocinados.

---

## Equipamiento

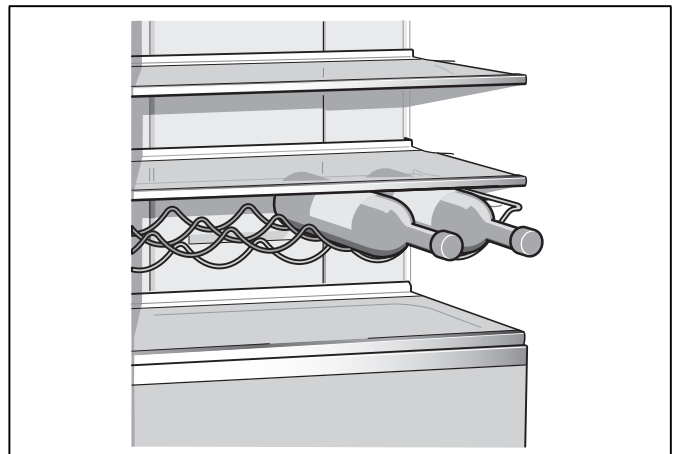
(no disponible en todos los modelos)

### Estantes y recipientes

Las bandejas y, así como los estantes y compartimentos de las puertas, se pueden cambiar de posición y altura en función de las necesidades concretas de cada usuario. Desplazar la bandeja hacia adelante, abatirla hacia abajo y extraerla inclinándola por uno de sus laterales. Levantar los estantes y extraerlos.

### Balda portabotellas

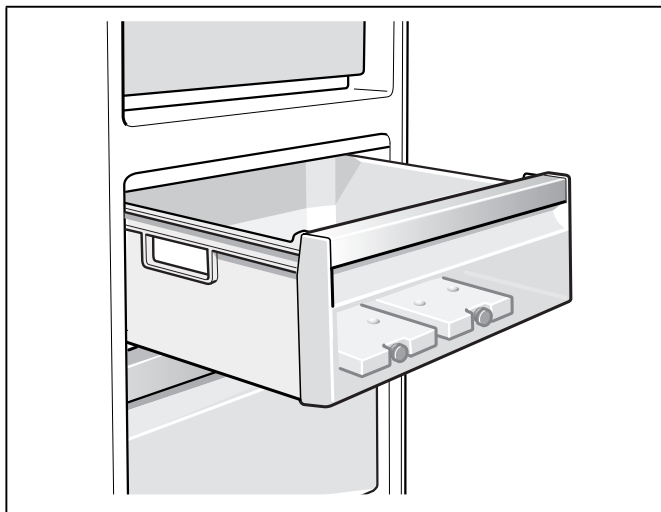
En la balda portabotellas se pueden colocar con toda seguridad las botellas. El soporte es variable.



## Acumuladores de frío

Los acumuladores de frío contribuyen a retardar la descongelación de los productos congelados en caso de corte o avería del suministro de corriente. El retardo más efectivo se logra colocando los acumuladores de frío en el compartimento superior, directamente sobre los alimentos.

Los acumuladores de frío se pueden extraer de su emplazamiento y usarlos para mantener alimentos frescos por breve tiempo, por ejemplo en una bolsa isotérmica.



## Filtros de carbón activo

Los filtros de carbón activo aseguran el intercambio del aire y la reducción de los olores en el interior del aparato. Véase el capítulo «Familiarizándose con la unidad».

## Apagar y ° cerrar el aparato

### Desconectar el aparato

Accionar la tecla „On/Off“. El compresor se desconecta.

### Paro del aparato

En caso de largos períodos de inactividad de la unidad:

1. Retirar todos los alimentos del aparato.
2. Desconectar el aparato.
3. Extraer el enchufe del aparato de la toma de corriente o desactivar el fusible.
4. Limpiar el interior del aparato (véase el capítulo «Limpieza del aparato»).
5. Dejar las puertas del aparato abiertas para evitar la formación de olores.

## Limpieza del aparato

### ⚠ ATENCION:

- No utilizar detergentes y disolventes que contengan arena, cloro o ácidos.
- No emplear esponjas abrasivas. En las superficies metálicas podría producirse corrosión.
- No lavar nunca las bandejas, compartimentos o estantes del aparato en el lavavajillas. ¡Las piezas pueden deformarse!

### El agua empleada en la limpieza del aparato no debe penetrar

- en las rendijas de la zona frontal del fondo del compartimento de congelación,
- en los elementos de mando,
- ni entrar en contacto con la iluminación.

### Modo de proceder:

1. Desconectar el aparato antes de proceder a su limpieza.
2. Extraer el enchufe del aparato de la toma de corriente o desconectar el fusible de la red.
3. Retirar los alimentos del aparato y colocarlos en un lugar frío. Colocar sobre los mismos los acumuladores de frío (en caso de estar incluidos en el equipo del aparato).
4. Aguardar a que se haya descongelado la capa de escarcha.
5. Limpiar el aparato con un paño suave, agua templada y un poco de lavavajillas manual con pH neutro. Téngase presente que el agua empleada en la limpieza del aparato no debe entrar en contacto con la iluminación.
6. Limpiar la junta de la puerta sólo con agua clara, secándola bien a continuación.
7. Tras concluir la limpieza del aparato: Conectarlo a la red y ponerlo en funcionamiento.
8. Colocar los alimentos congelados en el compartimento de congelación.

## Limpiar la superficie exterior

La superficie exterior del equipo está recubierta con una capa especial que rechaza la suciedad. Esto facilita la limpieza y el cuidado.

- Fregar a continuación la superficie exterior con un paño húmedo.

### **⚠ ATENCION:**

A fin de no dañar la cobertura de la superficie exterior:

- no utilizar productos que dejen una película de protección, como p. ej. aceites para el cuidado de aceros inoxidables.
- No utilizar utensilios o agentes de limpieza abrasivos, como p. ej. esponjas duras, cepillos metálicos, objetos puntiagudos o productos de limpieza abrasivos.
- No utilizar agentes de limpieza o productos químicos agresivos, como sprays

anticongelantes, limpiadores de hornos, agentes solventes, clorados o quita manchas.

## Equipamiento

Las partes variables del aparato se pueden extraer para su limpieza.

### **Retirar las bandejas de vidrio**

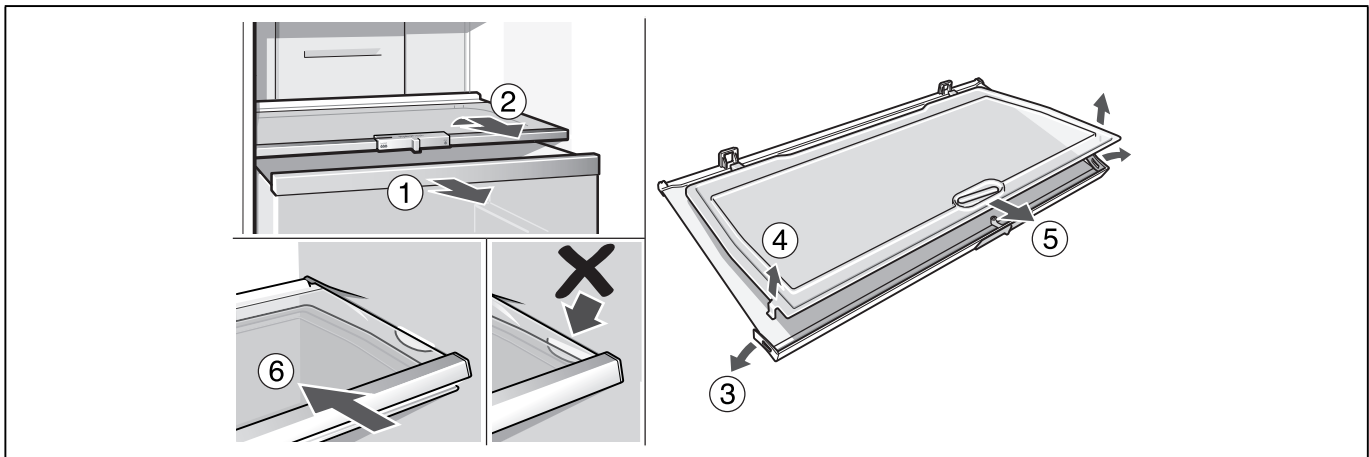
Desplazar las baldas de vidrio hacia el usuario y retirarlas del aparato.

### **Retirar la balda de vidrio situada encima del cajón para la verdura**

La balda de vidrio se puede retirar y desarmar para su limpieza.

### **Nota:**

Antes de poder retirar la balda de vidrio de su emplazamiento hay que extraer el cajón para la verdura del aparato.



### **Balda de vidrio del compartimento fresco**

(no disponible en todos los modelos)

### **Nota:**

No limpiar la balda del compartimento fresco bajo el chorro de agua del grifo.

Antes de retirar la balda de vidrio deberán extraerse el cajón de la verdura y el compartimento fresco.

Presionar a tal efecto simultáneamente los soportes, elevar la balda y retirarla hacia adelante.

### **Cajones en el compartimento frigorífico**

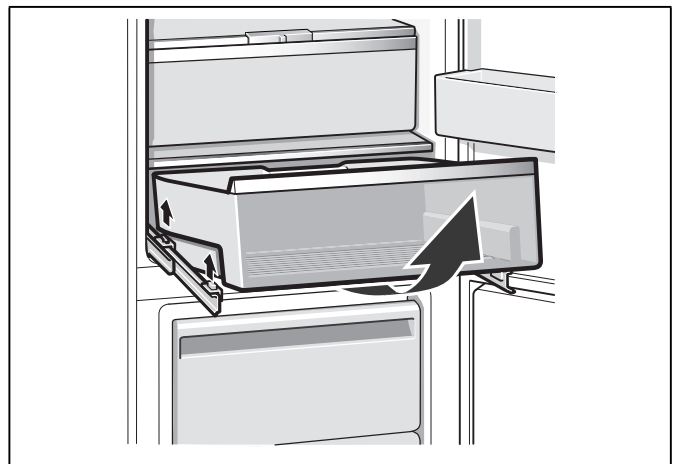
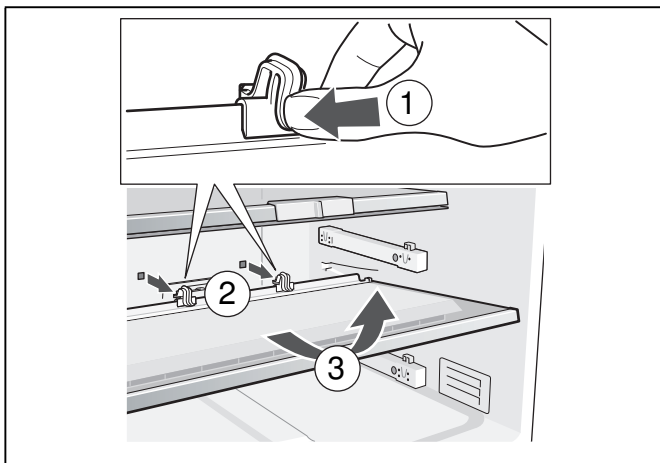
Extraer el cajón completamente hacia el usuario, elevarlo para soltarlo de su enclavamiento y retirarlo del aparato.

Para colocar el cajón en su sitio, montarlo sobre los carriles telescópicos e introducirlo en el aparato.

Presionar el cajón hacia abajo para hacerlo encajar.

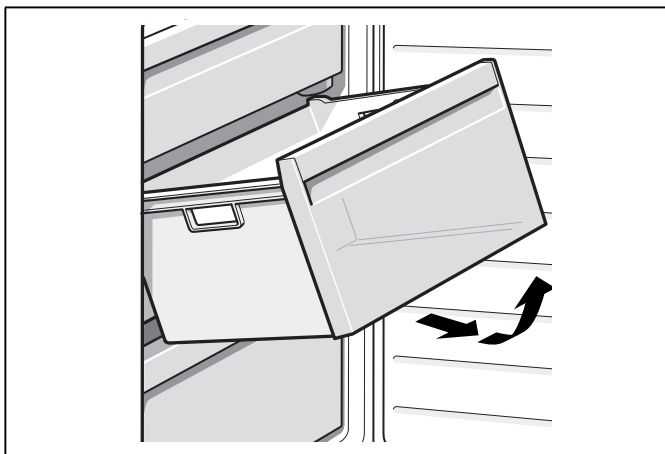
### **Nota:**

Antes de extraer el cajón de la verdura del aparato hay que retirar previamente la balda de vidrio situado por encima de éste.



### Retirar el cajón de congelación

Desplazar el cajón de congelación hacia el cuerpo del usuario hasta el tope, levantarlo por la parte frontal y retirarlo del aparato.



## Iluminación (LED)

Su aparato está equipado con una iluminación LED exenta de mantenimiento.

Las reparaciones de esta iluminación sólo podrán ser realizadas por personal de Servicio al cliente o técnicos autorizados.

## Ahorro de energía

- Colocar el aparato en un lugar seco y bien ventilado. El aparato no debe estar expuesto directamente al sol ni cerca de una fuente de calor (p.ej. radiador, estufa). En caso necesario, utilice una placa de aislamiento.
- Deje enfriar los alimentos o bebidas calientes, antes de introducirlos en el aparato.
- Para descongelar los productos congelados, colóquelos en el compartimento refrigerador y utilice el frío del producto congelado para enfriar los alimentos.
- Abrir el aparato el menor tiempo posible.
- Para evitar un aumento en el consumo de energía, limpie de vez en cuando la parte posterior del aparato.
- En caso necesario:  
Montar los elementos distanciadores respecto a la pared para alcanzar la absorción de energía indicada (véanse las instrucciones de montaje). Una distancia reducida respecto a la pared no influye negativamente en el funcionamiento del aparato. Aunque puede ocurrir que la absorción de energía aumente ligeramente.
- La disposición de las piezas del aparato no afectará el consumo de energía del aparato.

## Ruidos de funcionamiento del aparato

### Ruidos completamente normales

#### Nota:

Estando activada la función de supercongelación, el nivel sonoro del aparato puede aumentar.

#### Zumbido

Los motores están trabajando (compresores, ventilador).

#### Ruidos burbujeantes gorgoteo o zumbido

El refrigerante fluye a través de los tubos.

#### Clic

El motor, el interruptor y las válvulas de solenoide se encienden y se apagan.

#### Chasquidos

Se está realizando el desescarchado automático.

### Evitar ruidos

#### El aparato está colocado en posición desnivelada

Nivelar el aparato con ayuda de un nivel de burbuja. Calzarlo en caso necesario.

#### El aparato entra en contacto con muebles u otros objetos

Retirar el aparato de los muebles u otros aparatos con los que esté en contacto.

#### Los contenedores o los estantes se mueven o están atascados

Compruebe las piezas desmontables y vuelva a colocarlas dentro.

#### Las botellas o recipientes entran en contacto mutuo

Separar algo las botellas y los recipientes.

## Pequeñas averías de fácil solución

Antes de avisar al Servicio de Asistencia Técnica

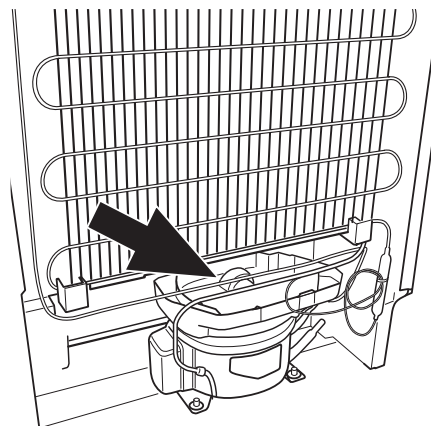
Compruebe si la avería o fallo que usted ha constatado se encuentra recogida en los siguientes consejos y advertencias.

Si no, puede suceder que los gastos del técnico no queden cubiertos por las prestaciones del servicio de garantía.

Avería	Posible causa	Solución
La temperatura difiere considerablemente del valor seleccionado.		En algunos casos, es suficiente apagar el aparato durante 5 <sup>o</sup> minutos. Si la temperatura está demasiado caliente, compruebe, después de unas pocas horas, si ha ocurrido una aproximación a la temperatura. Si la temperatura está demasiado fría, compruebe, al día siguiente, nuevamente la temperatura.
La iluminación no funciona.	El interruptor de la luz está agarrotado.	Verificar la libre movilidad del interruptor.
	La iluminación está defectuosa.	(Véase el capítulo «Iluminación interior».)
Intensidad de iluminación reducida de los elementos de mando.	En caso de permanecer el aparato durante un cierto tiempo sin usar, la pantalla del cuadro de mandos conmuta al modo de ahorro energético.	Tan pronto como se hace uso del aparato, abriendo por ejemplo una puerta, la pantalla de visualización del cuadro de mandos recupera su iluminación normal.
No se ilumina ninguna indicación.	Corte en el suministro eléctrico; El fusible se ha fundido; el enchufe no está bien sujeto.	Conectar el enchufe. Compruebe el suministro eléctrico, compruebe los fusibles.
La temperatura en el interior del compartimento de congelación es demasiado elevada (calor).	La puerta del aparato se ha abierto con demasiada frecuencia.	No abrir la puerta del aparato innecesariamente.
	Las aberturas de ventilación y aireación están obstruidas.	Eliminar la causa de la obstrucción.
	Se ha introducido una gran cantidad de alimentos frescos.	Congelar menos alimentos frescos.



Avería	Posible causa	Solución
La puerta del compartimento de congelación ha permanecido abierta durante un tiempo prolongado; no se alcanza la temperatura ajustada.	El evaporador (generador de frío) del sistema No Frost presenta tal acumulación de hielo o escarcha, que no es capaz de realizar automáticamente el ciclo de desescarchado.	<p>Para desescarchar el evaporador, retirar primero los alimentos de los cajones y gavetas de congelación y guardarlos, bien aislados, en un lugar lo más frío posible.</p> <p>Desconectar el aparato y retirarlo de la pared. Dejar la puerta abierta.</p> <p>Al cabo de unos 20 minutos comienza a correr el agua de descongelación hasta la bandeja de evaporación situada en la parte posterior del aparato.</p>



Con objeto de evitar en este caso que el agua de descongelación pueda rebosar en la bandeja de evacuación, recoger el agua de descongelación con una esponja.



**ATENCIÓN:**

**PELIGRO DE QUEMADURAS:**

Las partes del aparato pueden estar calientes. ¡Proceda con cuidado!

Cuando deje de acceder agua de descongelación a la bandeja de evaporación, el evaporador está desescarchado. Limpiar el interior del aparato. Volver a conectar el aparato.

## Servicio al cliente

Si fuera necesario cambiar el sentido de apertura de la puerta, le aconsejamos realizarlo a través de nuestro Servicio al cliente. Los costos para cambiar el sentido de apertura de la puerta, los puede obtener de su Servicio al cliente.

Antes de llamar al Servicio al cliente, véase el capítulo «Arreglar pequeñas averías».

Después de la verificación según el capítulo «Arreglar pequeñas averías», puede recibir ayuda adicional llamando al Bosch Customer Support Center, al 1-800-944-2904 (sin costo), desde cualquier punto de los E.E.U.U.

En Canadá, por favor póngase en contacto con su Centro de Servicio al Cliente Bosch o llame al número 1-800-944-2904.

Anote la siguiente información de su aparato, para que la tenga disponible y le podamos atender mejor, si necesita asistencia por parte de Servicio al cliente.

Nombre del comerciante:

Dirección:

Número de teléfono:

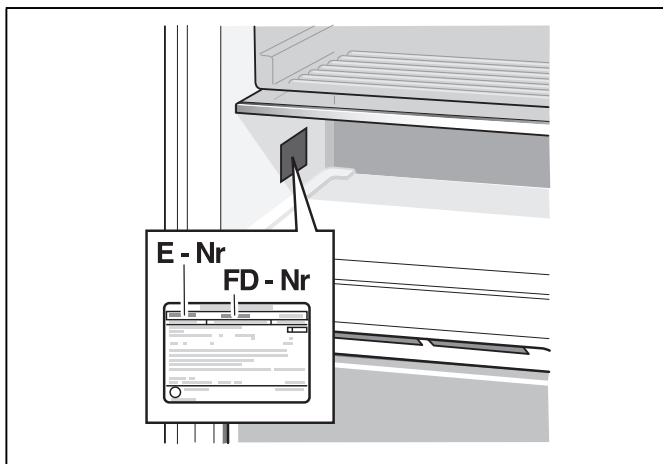
Fecha de compra:

Número del modelo:

Número de fabricación (FD):

Número de serie

Tipo



## fr Table des matières

Consignes de sécurité importantes.....	36	Super-réfrigération.....	44
Définition .....	36	Allumage et extinction.....	44
Avant de mettre l'appareil en service.....	36	Compartiment congélateur .....	44
Sécurité technique .....	36	Utiliser le compartiment congélateur .....	44
Pendant l'utilisation .....	36	Congeler et conserver .....	44
Les enfants et l'appareil.....	37	Achats de produits surgelés.....	44
Informations Générales .....	37	Consignes de rangement.....	44
Avertissements de la Proposition 65 de l'État de la Californie .....	37	Rangement des produits surgelés .....	44
Consignes de mise au rebut .....	38	Congeler des produits frais .....	44
♻️ Recycler l'emballage.....	38	Emballer les surgelés .....	44
♻️ Recycler l'appareil usagé.....	38	Durée de conservation des produits surgelés.....	45
Contenu de livraison.....	38	Super-congélation.....	45
Installer l'appareil .....	38	Allumage et extinction.....	45
Transport.....	38	Décongélation des produits .....	45
Lieu d'installation.....	38	Équipement.....	45
Aération.....	39	Clayettes et bacs .....	45
Brancher l'appareil.....	39	Clayette à bouteilles.....	45
Connexion électrique.....	39	Accumulateurs de froid .....	46
Se familiariser avec l'appareil.....	40	Filtre à charbon actif .....	46
Éléments de commande.....	41	Arrêter et remettre l'appareil.....	46
Enclenchement de l'appareil .....	41	Coupure de l'appareil .....	46
Remarques concernant le fonctionnement de l'appareil.....	42	Remisage de l'appareil.....	46
Régler la température .....	42	Nettoyage de l'appareil .....	46
Compartiment réfrigérateur .....	42	Procédez comme suit :.....	46
Compartiment congélateur .....	42	Nettoyage des surfaces.....	46
Mode économie d'énergie .....	42	Équipement.....	47
Fonction alarme.....	42	Éclairage (LED).....	48
Alarme de porte.....	42	Économiser de l'énergie .....	48
Alarme de température .....	42	Bruits de fonctionnement.....	48
Désactiver l'alarme .....	42	Bruits parfaitement normaux .....	48
Contenance utile .....	42	Éviter les bruits.....	48
Utiliser l'intégralité du volume de congélation.....	42	Remédier soi-même aux petites pannes .....	49
Le compartiment réfrigérateur .....	43	Service à la clientèle.....	50
Consignes de rangement .....	43		
Tenez compte des différentes zones froides dans le compartiment réfrigérateur .....	43		
Bac à légumes avec régulateur d'humidité .....	43		
Compartiment froid .....	43		



# Consignes de sécurité importantes

VEUILLEZ LIRE ET CONSERVER CES CONSIGNES!

## Définition

### AVERTISSEMENT :

Indique que le non-respect de cet avertissement peut avoir comme conséquence la mort ou une blessure grave.

### ATTENTION :

Indique que le non-respect de cet avertissement peut avoir comme conséquence une blessure légère ou moyenne.

## Avant de mettre l'appareil en service

Veillez lire attentivement et entièrement les informations figurant dans les notices d'utilisation et de montage. Elle contiennent des remarques importantes concernant l'installation, l'utilisation et l'entretien de l'appareil.

Le fabricant décline toute responsabilité si les consignes et mises en garde contenues dans la notice d'utilisation ne sont pas respectées. Conservez toute la documentation pour pouvoir la consulter à nouveau ultérieurement ou si l'appareil doit changer un jour de propriétaire.

## Sécurité technique

### Si l'appareil est endommagé :

- Éloignez l'appareil de toute flamme nue ou source d'inflammation,
- Bien aérer la pièce pendant quelques minutes.
- Éteignez l'appareil puis débranchez la fiche de contact de la prise de courant.
- Prévenez le service à la clientèle.

Plus il y a de fluide frigorigène dans un appareil et plus la pièce dans laquelle il se trouve doit être grande. Dans des locaux trop petits, un mélange inflammable de gaz et d'air risque de se former en cas de fuite.

Comptez 36 pieds<sup>3</sup> (1 m<sup>3</sup>) de volume minimum de la pièce pour 8 g de fluide frigorigène. La quantité de fluide présente dans l'appareil est indiquée sur la plaque signalétique située à l'intérieur de ce dernier.

### **Le fluide frigorigène utilisé est inflammable. Risque d'incendie ou d'explosion.**

La réparation doit être faite seulement par un personnel agréé. Toutes les mesures de sécurité doivent être respectées. N'ouvrez pas de force les tuyaux de fluide frigorigène. Suivez avec soin les instructions fournies. Éliminez convenablement l'appareil, conformément à la réglementation fédérale ou locale en vigueur.

Si le cordon d'alimentation électrique de cet appareil a été endommagé, il faut confier son remplacement au fabricant, à un prestataire de service d'entretien agréé ou à une personne détenant des qualifications similaires. Les installations et réparations effectuées par des personnes inexpérimentées peuvent engendrer des risques pour l'utilisateur.

Les réparations ne pourront être réalisées que par le fabricant, un prestataire de service d'entretien agréé ou une personne détenant des qualifications similaires.

Il ne faut utiliser que les pièces d'origine du fabricant. Le fabricant ne garantit que les pièces d'origine car elles seules remplissent les exigences de sécurité.

L'appareil est livré équipé d'un cordon de raccordement au réseau à trois fils homologué UL.

Il est interdit en toutes circonstances de couper ou de retirer le troisième conducteur (mise à la terre) du câble d'alimentation.

L'appareil requiert une prise de courant à trois pôles. La prise de courant ne peut être branchée que par un électricien qualifié.

Lorsqu'une prise de courant standard bipolaire est disponible, il en va de la responsabilité personnelle du client de la remplacer par une prise de courant tripolaire réglementairement reliée à la terre. N'utilisez pas de connecteur adaptateur.

## Pendant l'utilisation

- N'utilisez pas d'appareils électriques à l'intérieur de l'appareil (par ex. appareils de chauffage, machine à glaçons, etc.). Risque d'explosion !
- Ne décongelez et ne nettoyez jamais l'appareil avec un nettoyeur à vapeur ! La vapeur risque d'atteindre des pièces électriques et de provoquer un court-circuit. Risque d'électrocution !
- Pour détacher le givre ou les couches de glace, n'utilisez jamais d'objets pointus ou présentant des arêtes vives. Vous risqueriez d'endommager les tuyaux dans lesquelles circule le fluide frigorigène. Le fluide frigorigène peut s'enflammer en jaillissant ou provoquer des blessures oculaires.
- Ne stockez dans l'appareil ni produits contenant des gaz propulseurs inflammables (par ex. bombes aérosols) ni produits explosifs. Risque d'explosion!
- Ne vous servez pas des socles, rails télescopiques, portes etc. comme marchepieds ou pour vous appuyer.
- Avant de nettoyer, débranchez la fiche de contact de la prise de courant ou ramenez le disjoncteur en position éteinte. Ne saisissez que la fiche de contact, pas le cordon de branchement.
- Ne conservez les bouteilles de boissons fortement alcoolisées qu'hermétiquement fermées et debout.
- L'huile et la graisse ne doivent pas entrer en contact avec les parties en matières plastiques et le joint de porte. Les pièces en plastique et le joint de porte deviendront sinon poreux.
- Pour cette raison, ne recouvrez et n'obstruez en aucun cas les orifices d'aération.



## Consignes de sécurité importantes

VEUILLEZ LIRE ET CONSERVER CES CONSIGNES!

### ■ Évitez des risques pour les enfants et les personnes handicapées :

L'appareil ne doit pas être utilisé ni par des enfants lorsqu'ils ne sont pas surveillés par des adultes, ni par des personnes handicapées sans assistance.

Ne laissez jamais des enfants jouer avec l'appareil.

- Ne conservez aucun liquide en bouteille ou en boîte dans le compartiment congélateur (en particulier les boissons contenant du gaz carbonique). Les bouteilles et les boîtes pourraient éclater !

- Ne portez jamais des produits surgelés à la bouche immédiatement après les avoir sortis du compartiment congélateur. Risque d'engelures !

- Évitez tout contact prolongé des mains avec les produits congelés, la glace ou les tubes de l'évaporateur etc. Risque d'engelures !

### Les enfants et l'appareil

- Ne confiez jamais l'emballage et ses pièces constitutives aux enfants. Ils risquent de s'étouffer avec les cartons pliants et les feuilles plastique!
- L'appareil n'est pas un jouet!
- Si l'appareil est équipé d'une serrure : rangez la clé hors de portée des enfants !

### Informations Générales

L'appareil convient pour

- réfrigérer et congeler des aliments,
- préparer des glaçons.

Cet appareil est destiné à un usage domestique dans un foyer privé et un environnement domestique.

Cet appareil est conçu pour une utilisation jusqu'à une altitude maximale de 2000 m.

### Avertissements de la Proposition 65 de l'État de la Californie

Ce produit pourrait contenir un produit chimique reconnu par l'État de la Californie comme cancérigène ou ayant des effets nocifs sur la reproduction. Par conséquent, l'emballage de votre produit pourrait porter l'étiquette suivante, comme requis par la Californie :

STATE OF CALIFORNIA PROPOSITION 65 WARNING: /  
AVERTISSEMENT ISSUE DE LA PROPOSITION 65  
DE L'ÉTAT DE LA CALIFORNIE:



**WARNING /  
AVERTISSEMENT**

Cancer and Reproductive Harm / Cancer et dommages à la  
reproduction - [www.P65Warnings.ca.gov](http://www.P65Warnings.ca.gov).

## Consignes de mise au rebut

### Recycler l'emballage

L'emballage protège votre appareil contre les dégâts qu'il pourrait subir en cours de transport. Tous les matériaux qui le constituent sont compatibles avec l'environnement et recyclables. Aidez-nous à éliminer l'emballage dans le respect de l'environnement. Pour savoir comment vous débarrasser de l'emballage, veuillez consulter votre revendeur ou les services administratifs de votre mairie.

### Recycler l'appareil usagé

Les appareils usagés ne sont pas des déchets sans valeur ! Leur élimination dans le respect de l'environnement permet de récupérer de précieuses matières premières.

#### AVERTISSEMENT :

Si l'appareil est usagé :

1. Débranchez la fiche de contact de la prise de courant.
2. Coupez le câble d'alimentation et débranchez la fiche de contact.
3. Pour dissuader les enfants de grimper dans l'appareil, ne retirez pas les clayettes et les bacs !
4. Pour éviter que des enfants ne se coincent dans l'appareil usagé :  
Retirez les portes de l'appareil !
5. Ne laissez pas les enfants jouer avec l'appareil usagé. Risque d'asphyxie !

Les appareils frigorifiques contiennent du fluide frigorigène et des gaz dans l'isolation. Le fluide frigorigène et les gaz doivent être éliminés de façon adéquate. N'endommagez pas les tuyaux du circuit réfrigérant jusqu'à leur mise au rebut adéquate.

## Contenu de livraison

Après avoir déballé, vérifiez toutes les pièces pour détecter d'éventuels dégâts dûs au transport.

#### ATTENTION :

N'installez pas l'appareil s'il est endommagé.

En cas de problème, veuillez vous adresser au revendeur auprès duquel vous avez acquis l'appareil ou auprès de notre service à la clientèle.

#### La livraison comprend les pièces suivantes :

- Appareil indépendant
- Équipement (selon le modèle)
- Sachet avec matériel de montage
- Mode d'emploi
- Notice de montage
- Carnet de service à la clientèle.
- Pièce annexe de la garantie
- Informations relatives à la consommation d'énergie et aux bruits

## Installer l'appareil

Faites installer l'appareil par un spécialiste qui respectera le contenu de la notice de montage ci-jointe.

#### AVERTISSEMENT :

N'installez pas cet appareil :

- En plein air
- Dans un environnement où de l'eau goutte,
- Dans des locaux à risque de gel.

### Transport

L'appareil est lourd. Arrimez l'appareil lors du transport et du montage !

#### AVERTISSEMENT :

Comme l'appareil est lourd et encombrant, et pour réduire le risque de blessure ou d'endommagement de l'appareil, au moins deux personnes sont nécessaires pour mettre en place ce dernier.

### Lieu d'installation

Un local sec et aérable convient comme lieu d'installation. Le lieu d'installation ne doit pas être directement exposé aux rayons du soleil et ne pas se trouver à proximité d'une source de chaleur (cuisinière, radiateur, etc.). Si l'installation à côté d'une source de chaleur est inévitable, veuillez utiliser un panneau isolant approprié ou respecter les écarts minimums suivants par rapport à la source de chaleur :

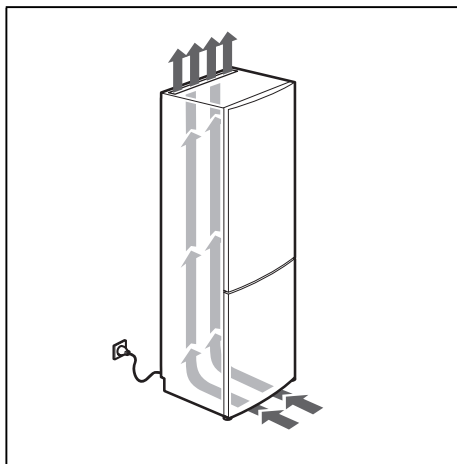
- 1 1/4" (3 cm) par rapport aux cuisinières électriques ou à gaz.
- 11 13/16" (30 cm) par rapport aux cuisinières à l'huile et au charbon.

Le plancher du lieu d'installation ne doit pas s'affaisser. Renforcez-le le cas échéant.

## Aération

L'air situé contre la paroi arrière et les parois latérales de l'appareil s'échauffe. L'air chaud doit pouvoir s'échapper sans obstacle. S'il ne le peut pas, le groupe frigorifique doit fonctionner plus longtemps, ce qui augmente la consommation de courant. Pour cette raison, ne recouvrez ni et n'obstruez jamais les orifices d'aération de l'appareil.

Montez les écarteurs ci-joints sur les fixations prévues au dos de l'appareil. Ceci permet de respecter l'écart minimum requis par rapport au mur.



## Brancher l'appareil

Une fois l'appareil installé, attendez au moins 8 heures avant de le mettre en marche. Lors du transport, il se peut que de l'huile contenue dans le compresseur se dépose dans le système de refroidissement.

Avant la première mise en service, nettoyez le compartiment intérieur de l'appareil (voir le chapitre Nettoyage de l'appareil).

## Connexion électrique

**AVERTISSEMENT :**  
Risque d'électrocution !

Cet appareil doit être branché dans une prise triphasée uniquement. Ne retirez jamais la broche de mise à la terre. N'utilisez pas d'adaptateur. N'utilisez pas de rallonge électrique.

**AVERTISSEMENT :**  
Risque d'électrocution !

Un branchement incorrect de l'appareil pose un risque de mort, d'incendie ou d'électrocution. Un branchement inadéquat du conducteur de terre pose un risque d'électrocution. En cas d'incertitude sur la bonne mise à la terre de l'appareil, faites-le inspecter par un électricien ou technicien qualifié.

**AVERTISSEMENT :**  
Risque d'électrocution !

Si la longueur du cordon d'alimentation est insuffisante, abstenez-vous à tout prix d'utiliser une rallonge ou un bloc multiprise. Contactez plutôt le service à la clientèle pour des solutions de rechange.

Le raccordement de cet appareil demande la présence d'une prise de courant fixe.

La prise de courant doit être proche de l'appareil et demeurer librement accessible une fois ce dernier installé.

L'appareil est conforme à la classe de protection I. Branchez l'appareil à une prise de courant installée réglementairement. Par « réglementairement », on entend : avec conducteur de terre et courant alternatif de 110 à 120 V/60 Hz. La prise doit être protégée par un fusible supportant une intensité de 10 A à 16 A.

L'appareil est livré équipé d'un cordon d'alimentation au réseau à trois fils homologué UL. L'appareil requiert une prise de courant à trois pôles.

Veuillez observer le tableau suivant à ce sujet :

Appareil	Charge maximale simultanée
Combinaison réfrigérateur/congélateur	6 A

Vérifiez sur la plaque signalétique si la tension indiquée et le type de courant correspondent aux valeurs de votre réseau électrique. La position de la plaque signalétique est indiquée au chapitre Service à la clientèle.

**AVERTISSEMENT :**

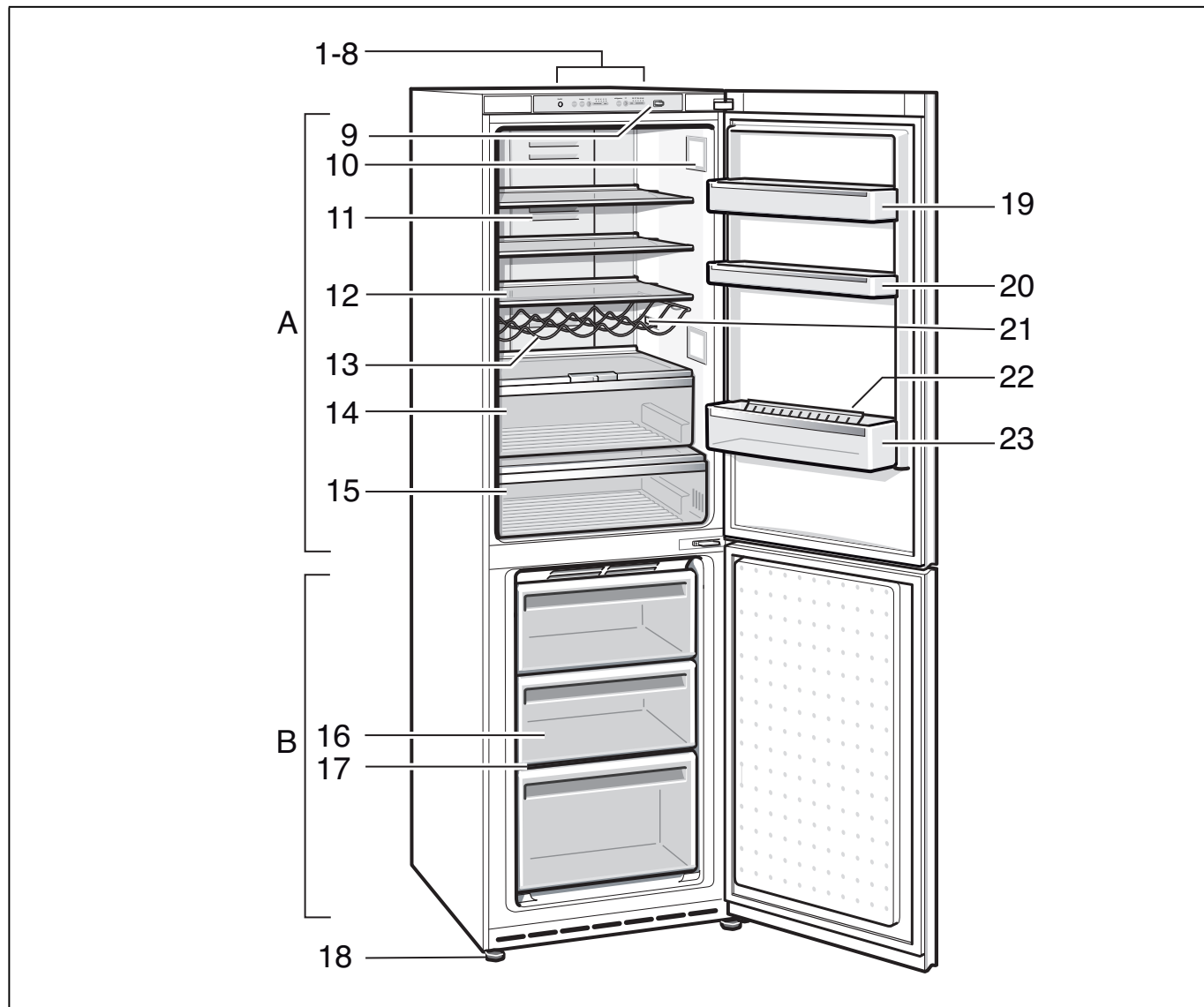
Il est interdit de brancher l'appareil à une prise à économie d'énergie électronique.

Nos appareils peuvent être alimentés via des onduleurs pilotés par le secteur ou à pilotage sinusoïdal. Directement raccordées au secteur public, les installations photovoltaïques font appel à des onduleurs pilotés par le secteur. Dans les solutions en îlots (p. ex. sur les bateaux ou les refuges de montagne), ne disposant pas d'un raccordement direct au secteur électrique public, il faut utiliser des onduleurs à pilotage sinusoïdal.

## Se familiariser avec l'appareil

La présente notice d'utilisation vaut pour plusieurs modèles.

L'équipement des modèles peut varier.  
Selon le modèle, l'appareil peut différer du contenu des illustrations.



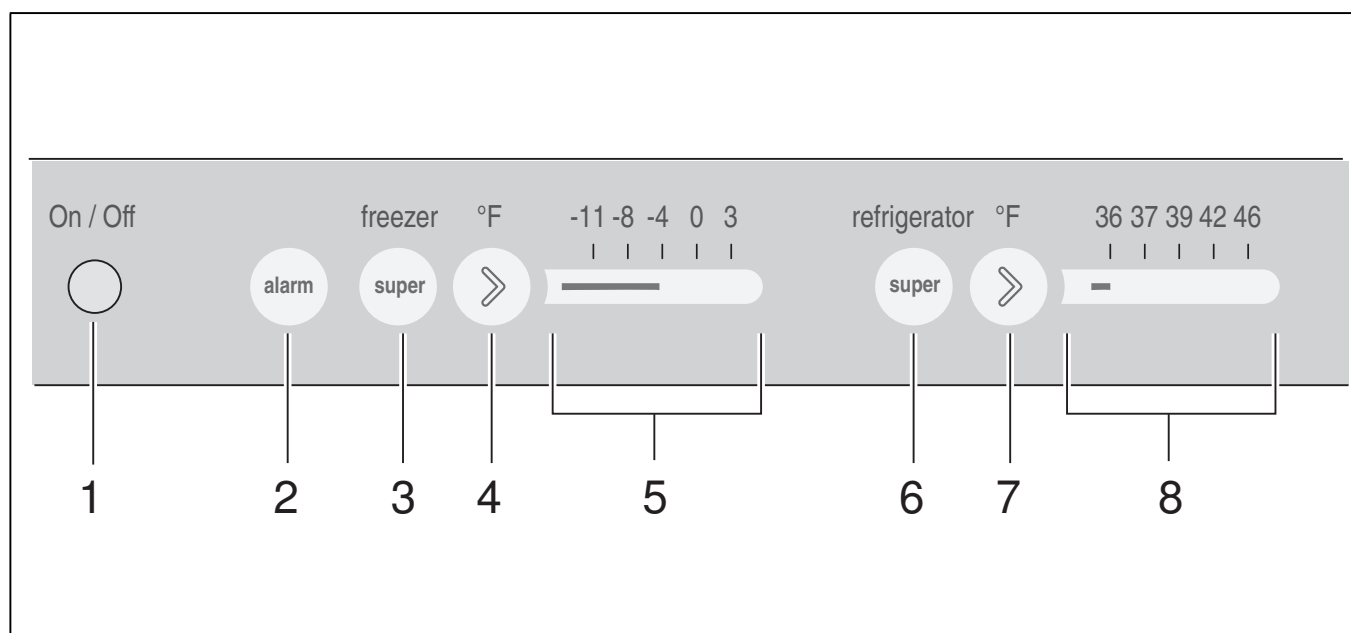
A Compartiment réfrigérateur  
B Compartiment congélateur

1-8 Éléments de commande  
9 Interrupteur d'éclairage  
10 Éclairage (LED)  
11 Orifice de sortie d'air  
12 Clayettes du compartiment réfrigérateur  
13 Clayette à bouteilles  
14 Bac à légumes

15 Compartiment froid  
16 Tiroir de congélation  
17 Grille de congélation  
18 Pied à vis  
19 Balconnet à œufs  
20 Rangement en contre-porte  
21 Filtre à charbon actif  
22 Porte-bouteilles  
23 Clayette pour grandes bouteilles



## Éléments de commande



- 1 **Touche „On/Off“**  
Sert à allumer et éteindre l'ensemble de l'appareil.
- 2 **Touche „alarm“**  
Sert à désactiver l'alarme sonore (voir le chapitre « Fonction alarme »).
- 3 **Touche „super freezer“**  
Pour allumer et éteindre la supercongélation.
- 4 **Touche „> °F“**  
Cette touche sert à régler la température du compartiment congélateur.
- 5 **Affichage compartiment congélateur**  
Indique le réglage actuel de la température dans le compartiment congélateur.
- 6 **Touche „super refrigerator“**  
Pour allumer et éteindre la super-réfrigération.
- 7 **Touche „> °F“**  
Cette touche sert à régler la température du compartiment réfrigérateur.
- 8 **Affichage compartiment réfrigérateur**  
Indique le réglage actuel de la température dans le compartiment réfrigérateur.

## Enclenchement de l'appareil

1. Allumez l'appareil par la touche „On/Off“. Une alarme sonore retentit. La touche „alarm“ clignote.
2. Appuyez sur la touche „alarm“. L'alarme sonore s'éteint.  
La touche „alarm“ s'allume jusqu'à ce que la température réglée soit dans le compartiment congélateur atteinte.  
Porte en position ouverte, l'éclairage du compartiment réfrigérateur est allumé.

### Remarque :

Le fait d'appuyer sur l'interrupteur d'éclairage lorsque la porte se trouve en position ouverte éteint l'éclairage et les affichages des éléments de commande.

Les températures pré-réglées ne sont atteintes qu'au bout de plusieurs heures. Pendant cette période, ne rangez pas d'aliments dans l'appareil !

Le fabricant recommande les températures suivantes :

- Compartiment congélateur : 0 °F (-18 °C)
- Compartiment réfrigérateur : 39 °F (+4 °C)

## Remarques concernant le fonctionnement de l'appareil

- Après son allumage, l'appareil peut avoir besoin de plusieurs heures pour atteindre les températures réglées.
- Grâce au système No Frost entièrement automatique, le compartiment congélateur ne se couvre pas de givre. Il n'est plus nécessaire de dégivrer.
- L'appareil chauffe légèrement une partie de ses surfaces frontales pour empêcher une condensation d'eau dans la zone du joint de porte.
- Si la porte du compartiment congélateur ne se laisse pas immédiatement rouvrir après l'avoir fermée, attendez un moment pour laisser à la dépression régnant dans le compartiment le temps de se résorber.

## Régler la température

### Compartiment réfrigérateur

La température est réglable entre 36 °F et 46 °F (+2 °C et +8 °C).

Appuyez sur la touche de réglage de la température „> °F“ jusqu'à ce que la température souhaitée soit réglée dans le compartiment réfrigérateur. L'appareil mémorise la valeur réglée en dernier. La température réglée apparaît à l'affichage de température. Nous recommandons de régler le compartiment réfrigérateur sur 39 °F (+4 °C).

Évitez de stocker les produits alimentaires délicats à une température supérieure à 39 °F (+4 °C).

### Compartiment congélateur

La température est réglable entre 3 °F et -11 °F (-16 °C et -24 °C).

Appuyez sur la touche de réglage de la température „> °F“ jusqu'à ce que la température souhaitée soit réglée dans le compartiment congélateur. L'appareil mémorise la valeur réglée en dernier. La température réglée apparaît à l'affichage de température.

## Mode économie d'énergie

L'affichage des éléments de commande passe en mode Économie d'énergie si vous n'effectuez aucune manipulation sur l'appareil.

Seuls restent allumés les petits voyants nécessaires, mais avec une luminosité réduite.

Dès que vous utilisez l'appareil, que vous ouvrez la porte par exemple, l'affichage commute sur l'éclairage normal.

## Fonction alarme

Une alarme sonore peut se déclencher dans les cas suivants :

### Alarme de porte

Si l'appareil reste ouvert plus d'une minute, l'alarme de porte s'allume. Le fait de fermer la porte ou d'appuyer sur la touche Alarme 2 désactive l'alarme.

### Alarme de température

L'alarme de température s'enclenche lorsque la température a trop monté dans le compartiment congélateur et que les produits surgelés risquent de s'abîmer.

- Touche d'alarme „alarm“ clignote: Les produits congelés sont à risque ou ont été à risque de s'abîmer.
- Touche d'alarme „alarm“ allumé: Les produits congelés ne risquent pas de s'abîmer.

L'alarme peut s'activer dans les cas suivants, sans que cela signifie que les produits congelés risquent de s'abîmer :

- lors de la mise en service de l'appareil
- lors du rangement de grandes quantités de produits frais
- lorsque la porte du compartiment congélateur est restée trop longtemps ouverte

#### Remarque :

Ne remettez pas à congeler des produits alimentaires partiellement ou entièrement décongelés. Vous ne pourrez les recongeler qu'après les avoir transformés en plats pré-cuisinés (par cuisson ou rôtissage).

### Désactiver l'alarme

Appuyez sur la touche « alarm » pour éteindre l'alarme sonore.

## Contenance utile

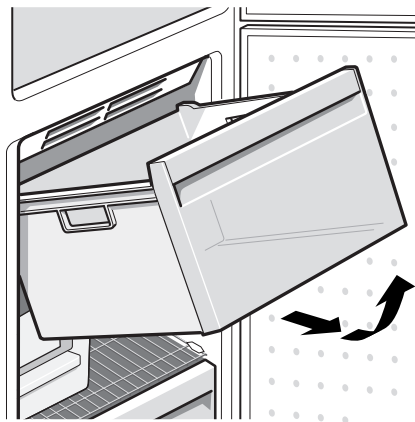
Vous trouverez des indications sur la contenance utile sur la plaque signalétique de votre appareil (voir la figure au chapitre Service à la clientèle) .

### Utiliser l'intégralité du volume de congélation

Pour pouvoir ranger la quantité maximale de produits congelés, il est possible de retirer tous les bacs à produits congelés de l'appareil, sauf le bac du bas. Il est possible d'empiler les produits alimentaires directement sur les grilles de congélation.

#### Retirer les pièces d'équipement

Tirez le bac à produit congelés à vous jusqu'à la butée, soulevez-le à l'avant puis extrayez-le.



## Le compartiment réfrigérateur

Le compartiment réfrigérateur est l'endroit idéal où ranger la viande, la charcuterie, le poisson, les produits laitiers, les œufs, les plats précuisinés et les pâtisseries.

### Consignes de rangement

- Rangez des produits alimentaires frais et intacts. Ils conserveront ainsi plus longtemps leur qualité et leur fraîcheur.
- Respectez la date de conservation minimum ou la date de consommation indiquée par le fabricant pour les produits tout prêts et liquides conditionnés.
- Pour préserver l'arôme, la teinte et la fraîcheur, rangez les produits alimentaires bien emballés ou couverts. Ceci empêche que certains aliments ne communiquent leur goût à d'autres et que les pièces en plastique changent anormalement de couleur.
- Attendez que les boissons et aliments chauds aient refroidi à la température de la pièce avant de les ranger dans l'appareil.

#### Remarque :

Évitez que les produits alimentaires n'entrent en contact avec la paroi arrière. Cela risquerait de gêner la circulation de l'air.

Les produits alimentaires ou les emballages pourraient rester collés, par congélation, contre la paroi arrière.

### Tenez compte des différentes zones froides dans le compartiment réfrigérateur

L'air circulant dans le compartiment réfrigérateur fait que des zones différemment froides apparaissent :

- **La zone la plus froide** se trouve dans le compartiment intérieur, contre la paroi arrière et dans le compartiment froid. Voir la section Présentation de l'appareil.

#### Remarque :

Dans la zone la plus froide, rangez les aliments délicats (par ex. le poisson, la charcuterie, la viande).

- **La zone la moins froide** se trouve complètement en haut, contre la porte.

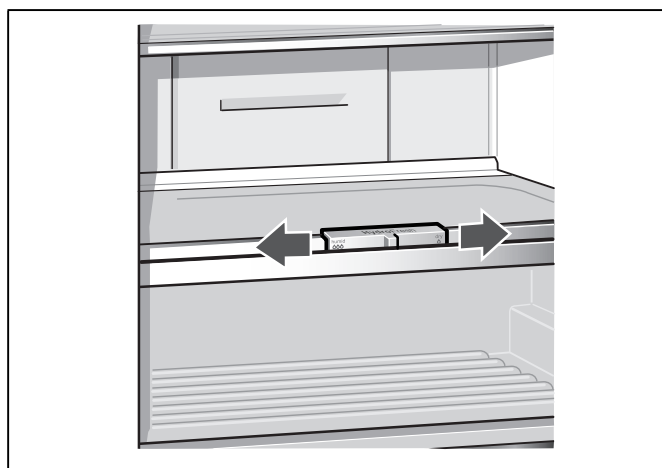
#### Remarque :

Rangez dans la zone la moins froide par ex. le fromage dur et le beurre. De la sorte, le fromage peut continuer de développer son arôme et le beurre demeure tartinable.

### Bac à légumes avec régulateur d'humidité

Pour créer un climat de stockage optimal pour les légumes et les fruits, vous pouvez, en fonction de la quantité rangée, régler l'humidité de l'air qui régnera dans le bac à légumes.

- petites quantités des fruits et légumes – humidité de l'air élevée
- grandes quantités des fruits et légumes – humidité de l'air réduite



#### Remarque :

- Il est recommandé de ranger les fruits (par exemple ananas, bananes, papayes, agrumes) et légumes (par exemple les aubergines, concombres, courgettes, poivrons, tomates et pommes de terre) qui craignent le froid hors du réfrigérateur à des températures entre 46 °F à 54 °F (+8 °C à + 12 °C) pour en préserver la qualité et l'arôme.
- Suivant la quantité et la nature des produits stockés, de l'eau peu se condenser dans le bac à légumes. Retirez l'eau condensée avec un essuie-tout sec et ajustez l'humidité de l'air dans le bac à légumes via le régulateur d'humidité.

### Compartiment froid

Voir la section « Présentation de l'appareil ».

Les températures régnant dans le compartiment froid sont plus basses que dans le compartiment réfrigérateur. Des températures inférieures à 32 °F (0 °C) peuvent également se manifester.

Idéal pour ranger le poisson, la viande et la charcuterie. Ne convient pas pour les salades, les légumes et les produits alimentaires qui craignent le froid.

## Super-réfrigération

Pendant la super-réfrigération, la température dans le compartiment réfrigérateur descend le plus bas possible pendant env. 6 heures. Ensuite, l'appareil commute sur la température réglée avant que vous n'activiez la super-réfrigération.

Activez la super-réfrigération par exemple :

- avant de ranger de grandes quantités d'aliments.
- avant de réfrigérer rapidement des boissons.

### Allumage et extinction

Appuyez sur la touche „super refrigerator“.

Le voyant de la touche est allumé si vous avez activé la super-réfrigération.

## Compartiment congélateur

### Utiliser le compartiment congélateur

- pour ranger des produits surgelés.
- pour préparer des glaçons
- pour congeler des produits alimentaires

#### Remarque :

Veillez à ce que la porte du compartiment congélateur soit toujours fermée! Lorsque la porte est ouverte, les produits surgelés dégèlent et le congélateur se couvre de givre. Par ailleurs : il y a un gaspillage d'énergie en raison d'une augmentation de la consommation de courant!

## Congeler et conserver

### Achats de produits surgelés

- L'emballage ne doit pas être endommagé.
- Observez la durée de conservation.
- La température dans le congélateur coffre du supermarché doit être au maximum de 0 °F (-18 °C).
- Utilisez de préférence un sac isotherme pour le transport puis rangez les produits le plus rapidement possible dans le compartiment congélateur.

### Consignes de rangement

- Rangez les quantités assez importantes de produits alimentaires dans le compartiment le plus haut. Ils y seront congelés à la fois très vite et en douceur.
- Répartissez les produits alimentaires sur une grande surface dans les compartiments et / ou dans les bacs à produits congelés.

#### Remarque :

Veillez à ce que les produits congelés n'entrent pas en contact avec des produits frais. Le cas échéant, placez les produits congelés dans d'autres bacs à produits congelés.

## Rangement des produits surgelés

Insérez le bac à produits congelés jusqu'à la butée, afin d'assurer une circulation impeccable de l'air.

Si vous devez stocker beaucoup d'aliments, vous pouvez sortir tous les bacs à produits congelés de l'appareil sauf le plus bas et entreposer les produits alimentaires directement sur les grilles.

Pour retirer les bacs, tirez-les jusqu'à la butée ; levez-les à l'avant puis sortez-les.

## Congeler des produits frais

Pour congeler les aliments, n'utilisez que des aliments frais et d'un aspect impeccable.

Il faut blanchir les légumes avant de les congeler, pour préserver le mieux possible leur valeur nutritive, leur arôme et leur teinte. Il n'est pas nécessaire de blanchir les aubergines, poivrons, courgettes et asperges.

Vous trouverez en librairie toute une bibliographie sur la congélation et le blanchissement.

#### Remarque :

Veillez à ce que les produits alimentaires à congeler n'entrent pas en contact avec des produits déjà congelés.

- Se prêtent à la congélation :

Pâtisseries, poissons et fruits de mer, viande de boucherie et gibier, volaille, fruits, légumes, herbes culinaires, œufs sans la coque, produits laitiers comme le fromage, le beurre, plats pré-cuisinés et restes de plats tels que les soupes, ragoûts, la viande et le poisson cuits, les plats aux pommes de terre, les soufflés et mets sucrés.

- Ne se prêtent pas à la congélation :

Variétés de légumes habituellement dégustées crues telles que la salade ou les radis, œufs dans leur coque, raisins, pommes, poires et pêches entières, œufs cuits durs, yaourt, lait caillé, crème acidulée, crème fraîche et mayonnaise.

### Emballez les surgelés

Fermez hermétiquement l'emballage afin que les produits alimentaires ne perdent pas leur goût ou ne sèchent pas.

1. Placez les aliments dans l'emballage.
2. Pressez pour chasser l'air.
3. Obtenez l'emballage hermétiquement.
4. Indiquez sur l'emballage le contenu et la date de congélation.

#### Emballages adéquats :

Feuilles en plastique, feuilles en polyéthylène, feuilles d'aluminium, boîtes de congélation.

Vous trouverez ces produits dans le commerce spécialisé.

#### Emballages inadéquats :

Le papier d'emballage, le papier sulfurisé, les feuilles de cellophane, les sacs poubelles et les sacs en plastique ayant déjà servi.

**Moyens d'obturation adéquats :**

Clips en plastique et caoutchouc, ficelles, rubans adhésifs résistants au froid, ou assimilés.

Vous pouvez souder les sacs ou boudins en polyéthylène (PE) avec un appareil à cet effet.

**Durée de conservation des produits surgelés**

La durée de conservation dépend de la nature des produits alimentaires.

Si la température a été réglée sur 0 °F (-18 °C) :

- Poisson, charcuterie, plats pré-cuisinés, pâtisseries : jusqu'à 6 mois
- Fromage, volaille, viande : jusqu'à 8 mois
- Fruits et légumes : jusqu'à 12 mois

**Super-congélation**

Pour en conserver les vitamines, la valeur nutritive, l'aspect et la saveur, les aliments doivent être congelés le plus rapidement possible.

Pour empêcher une hausse indésirable de la température, allumez la super-congélation quelques heures avant de ranger des produits alimentaires frais. 4 à 6 heures suffisent généralement.

L'appareil fonctionne désormais en permanence. Le compartiment congélateur atteint une température très basse.

Si vous ne voulez congeler que de petites quantités d'aliments (jusqu'à 4.4 lb ou 2 kg), vous n'avez pas besoin d'enclencher la supercongélation.

**Remarque :**

Si vous avez activé la supercongélation, l'appareil peut fonctionner plus bruyamment.

**Allumage et extinction**

Appuyer sur la touche « super freezer ».

A l'enclenchement de la supercongélation, le voyant de la touche s'allume.

La supercongélation se désactive automatiquement au bout d'environ 2 jours et demi.

**Décongélation des produits**

Selon la nature et l'utilisation des produits surgelés, vous pouvez choisir entre plusieurs possibilités :

- dans le réfrigérateur
- dans un four électrique avec/sans ventilateur à air chaud
- dans un four à micro-ondes

**⚠ ATTENTION :**

Ne remettez pas à congeler des produits alimentaires partiellement ou entièrement décongelés. Vous ne pourrez les recongeler qu'après les avoir transformés en plats pré-cuisinés (par cuisson ou rôtissage).

**Équipement**

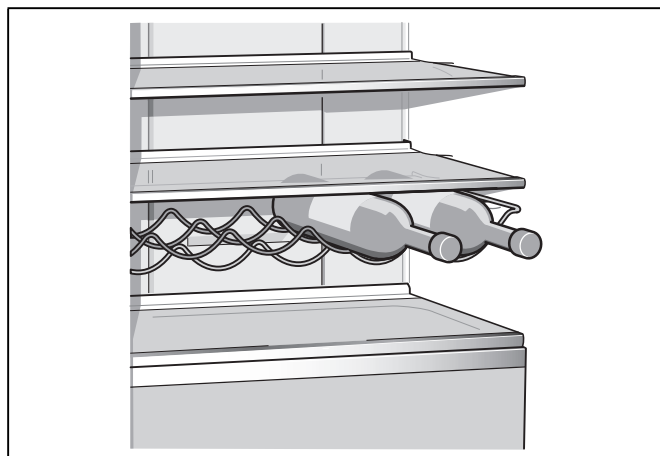
(selon le modèle)

**Clayettes et bacs**

Vous pouvez modifier à volonté l'agencement des clayettes dans le compartiment et des bacs en contreporte : Tirez la clayette en avant, abaissez-la et faites-la basculer latéralement pour l'extraire. Soulevez le bac puis sortez-le.

**Clayette à bouteilles**

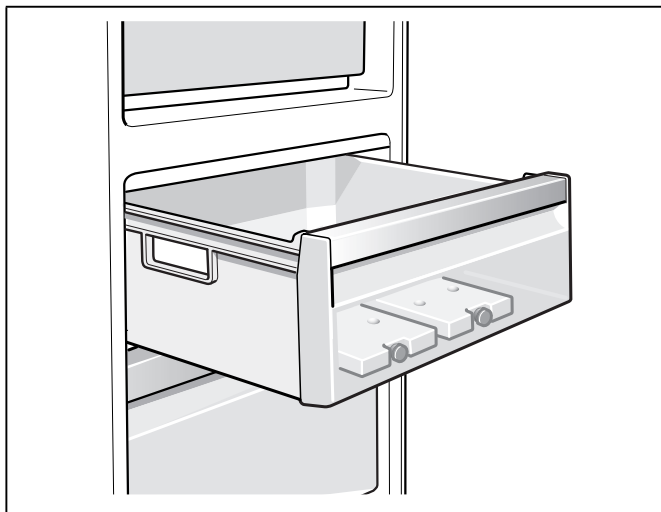
Cette clayette permet de ranger des bouteilles de manière sûre. La fixation est variable.



## Accumulateurs de froid

Lors d'une coupure de courant ou en cas de panne, les accumulateurs de froid retardent le réchauffement des produits surgelés stockés dans l'appareil. Pour obtenir la plus longue durée de conservation, placez l'accumulateur dans le tiroir du haut, directement sur les produits alimentaires.

Vous pouvez également vous servir des accumulateurs de froid pour emporter des aliments par ex. dans un sac isotherme et les conserver ainsi au frais pendant une durée limitée.



## Filtre à charbon actif

Le filtre à charbon actif permet de changer l'air et d'améliorer l'odeur à l'intérieur de l'appareil. Voir la section « Présentation de l'appareil ».

## Arrêter et remiser l'appareil

### Coupure de l'appareil

Appuyez sur la touche „On/Off“.  
Le groupe frigorifique s'éteint.

### Remisage de l'appareil

Si l'appareil doit rester longtemps sans servir :

1. Sortez tous les produits alimentaires de l'appareil.
2. Éteignez l'appareil.
3. Déconnectez la fiche mâle du réseau ou ramenez le disjoncteur en position éteinte.
4. Nettoyez l'intérieur de l'appareil (voir le chapitre « Nettoyage de l'appareil »).
5. Laissez les portes de l'appareil ouvertes pour empêcher l'apparition d'odeurs.

## Nettoyage de l'appareil

### ⚠ ATTENTION :

- N'utilisez aucun produit de nettoyage ni aucun solvant contenant du sable, du chlorure ou de l'acide.
- N'utilisez jamais d'éponges abrasives ou susceptibles de rayer.  
Des zones corrodées pourraient apparaître sur les surfaces métalliques.
- Ne nettoyez jamais les clayettes et les bacs au lave-vaisselle.  
Ces pièces pourraient se déformer !

### L'eau de nettoyage ne doit pas pénétrer

- dans les ouïes aménagées dans la partie avant du fond du compartiment congélateur,
- dans les éléments de commande,
- et dans l'éclairage.

### Procédez comme suit :

1. Éteignez l'appareil avant de le nettoyer.
2. Débranchez la fiche mâle du secteur ou ramenez le disjoncteur en position éteinte.
3. Sortez les produits congelés et rangez-les dans un endroit frais. Posez les accumulateurs de froid (si fournis avec l'appareil) sur ces produits.
4. Attendez que la couche de givre ait fondu.
5. Ne nettoyez l'appareil qu'avec un chiffon doux, de l'eau tiède et du produit à vaisselle présentant un pH neutre. L'eau de nettoyage ne doit pas pénétrer dans l'éclairage.
6. N'essuyez le joint de porte qu'avec un chiffon et de l'eau propre ; ensuite, séchez-le à fond.
7. Après le nettoyage : reconnectez la fiche mâle de l'appareil puis rallumez-le.
8. Rangez à nouveau les produits surgelés dans les tiroirs.

### Nettoyage des surfaces

Les surfaces extérieures de l'appareil sont dotés d'un revêtement spécial empêchant les souillures d'adhérer. Cela facilite le nettoyage et l'entretien.

- Ne nettoyez les surfaces extérieures de l'appareil qu'avec un essuie-tout humide.

### ⚠ ATTENTION :

- Pour ne pas endommager le revêtement spécial :
- n'utilisez pas de produits laissant un film protecteur sur la surface, par exemple les huiles d'entretien pour surfaces en acier inoxydable.
  - N'utilisez pas d'ustensiles ou de produits à récuser tels que les éponges à dos dur, les brosses métalliques, les objets métalliques pointus ou les crèmes à récuser.
  - N'utilisez aucun détergent ou produit chimique agressif, par exemple les aérosols de dégivrage, les produits nettoyants pour fours, solvants, l'eau de javel ou les produits détachants.

## Équipement

Pour nettoyer, il est possible de retirer toutes les pièces variables de l'appareil.

### Retirer les clayettes en verre

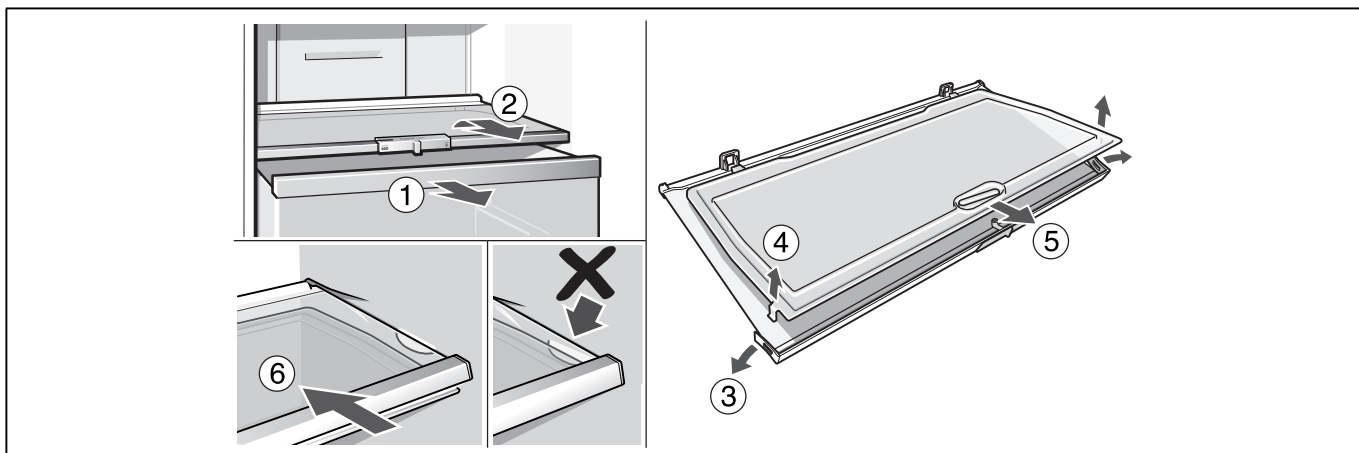
Tirez les clayettes en verre à vous puis extrayez-les.

### Extraire la clayette en verre au dessus du bac à légumes

Vous pouvez retirer et démonter la clayette en verre pour la nettoyer.

#### Remarque :

Avant de retirer la clayette en verre, sortez d'abord le bac à légumes.



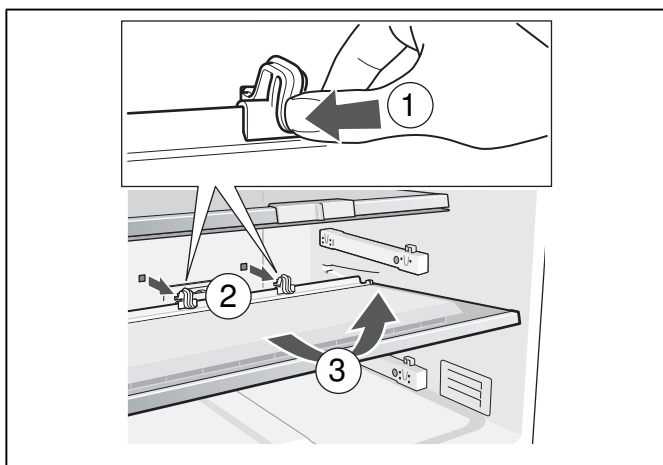
### Clayette en verre du compartiment froid (selon le modèle)

#### Remarque :

Ne nettoyez pas la clayette en verre du compartiment froid sous l'eau du robinet.

Avant de retirer la clayette en verre, retirez le bac à légumes et le compartiment froid.

Appuyez simultanément sur les fixations, soulevez la clayette en verre et tirez-la à vous.



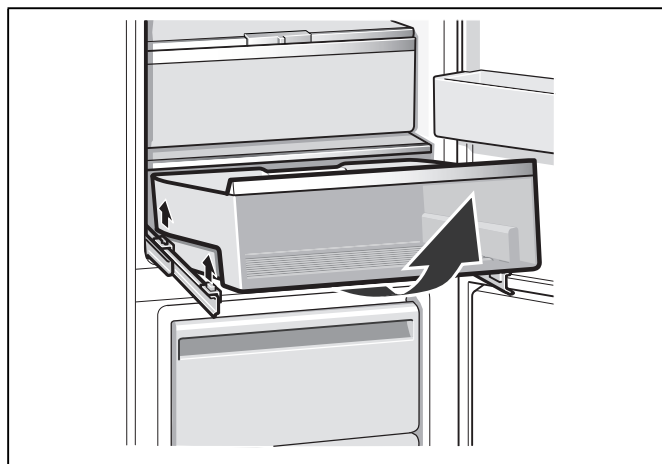
### Tiroirs dans le compartiment réfrigérateur

Ouvrez le tiroir en grand, soulevez-le pour le décaler puis extrayez-le.

Pour mettre le tiroir en place, posez-le à l'avant sur les rails de sortie et poussez-le dans l'appareil. Appuyez sur le tiroir pour le faire enclencher.

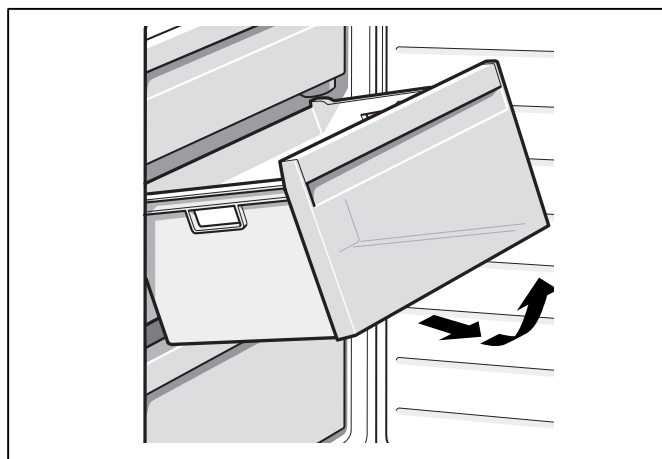
#### Remarque :

Avant de pouvoir extraire le tiroir à légumes, il faut au préalable retirer la clayette en verre qui se trouve au dessus.



### Retirer le bac à produits congelés

Tirez le bac à produit congelés à vous jusqu'à la butée, soulevez-le à l'avant puis extrayez-le.



## Éclairage (LED)

Votre appareil est équipé d'un éclairage par LED ne demandant pas d'entretien.

Les réparations sur cet éclairage doivent être entreprises par le service à la clientèle ou par un personnel spécialisé dûment autorisé.

## Économiser de l'énergie

- Installer l'appareil dans un endroit sec et aéré.  
L'appareil ne doit être exposé à la lumière du soleil ou installé à proximité d'une source de chaleur (par ex. radiateur, cuisinière).  
Au besoin, utilisez une plaque isolante.
- Attendez que les boissons et aliments chauds aient refroidi à la température de la pièce avant de les ranger dans l'appareil.
- Faites décongeler les surgelés dans le compartiment réfrigérateur et utilisez la température des surgelés pour refroidir les aliments.
- N'ouvrez la porte de l'appareil que le plus brièvement possible.
- Pour éviter une consommation accrue de courant, nettoyez occasionnellement le dos de l'appareil.
- Si présent(s) :  
Montez les écarteurs muraux pour parvenir à la quantité mentionnée d'énergie absorbée par l'appareil (voir la notice de montage). Un écart moins élevé par rapport au mur ne restreint pas le fonctionnement de l'appareil. Dans ce cas, l'énergie absorbée peut augmenter légèrement.
- La disposition des pièces d'équipement n'a pas d'influence sur la consommation d'énergie de l'appareil.

## Bruits de fonctionnement

### Bruits parfaitement normaux

#### Remarque :

Lorsque la supercongélation est activée, l'appareil peut fonctionner plus bruyamment.

#### Bourdonnement

Les moteurs tournent (par ex. groupes frigorifiques, ventilateur).

#### Bruits de gargouillement ou de bourdonnement

Du fluide frigorigène circule dans les tuyaux.

#### Cliquetis

Cliquetis : le moteur, les interrupteurs ou les électrovannes s'allument / s'éteignent.

#### Craquements

Le dégivrage automatique est en cours.

### Éviter les bruits

#### L'appareil ne repose pas d'aplomb

Veillez mettre l'appareil d'aplomb à l'aide d'un niveau à bulle. Ajustez ensuite l'horizontalité par les pieds à vis ou placez un objet dessous.

#### L'appareil touche quelque chose

Eloignez l'appareil de meubles ou appareils voisins.

#### Des bacs ou plaques vacillent ou se coincent

Inspectez les pièces amovibles et replacez-les au besoin.

#### Des bouteilles ou récipients se touchent

Eloignez légèrement les bouteilles ou récipients les uns des autres.



## Remédier soi-même aux petites pannes

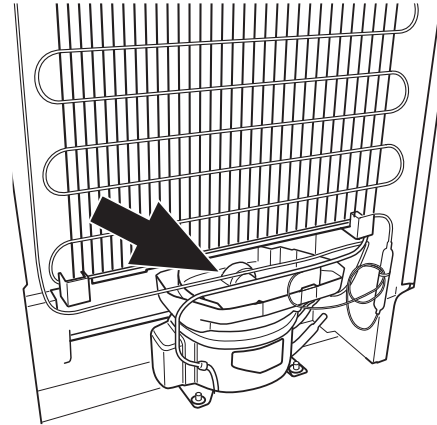
Avant d'appeler le service après-vente :

Vérifiez si, à l'aide des conseils ci dessous, vous ne pouvez pas remédier vous-même à l'incident.

Vous éviterez des dépenses inutiles car le déplacement du technicien du SAV vous sera facturé même pendant la période de garantie.

Défaut	Cause possible	Solution
La température dévie fortement par rapport au réglage.		Dans certains cas, il suffit d'éteindre l'appareil pendant 5 minutes. Si la température est trop élevée, vérifiez après quelques heures s'il y a eu un rapprochement de la température. Si la température est trop basse, vérifiez à nouveau la température le lendemain.
L'éclairage ne fonctionne pas.	L'interrupteur de l'éclairage est coincé.	Vérifiez si l'interrupteur d'éclairage se déplace.
	L'éclairage est défectueux.	(Voir le chapitre « Éclairage ».)
Luminosité réduite des éléments de commande.	Si l'appareil ne sert pas pendant un certain temps, l'affichage sur le bandeau de commande passe en mode Économie d'énergie.	Dès que vous réutilisez l'appareil, par exemple dès que vous ouvrez une porte, l'affichage revient sur sa luminosité normale.
Aucun voyant ne s'allume.	Coupure de courant ; le disjoncteur a sauté; fiche de contact pas complètement branchée dans la prise de courant.	Raccordez la fiche de contact. Vérifiez s'il y a du courant, vérifiez le disjoncteur.
La température régnant dans le compartiment congélateur est trop élevée.	Vous avez ouvert fréquemment l'appareil.	N'ouvrez pas l'appareil inutilement.
	Les orifices d'apport et d'évacuation d'air sont recouverts par des objets faisant obstacle.	Enlevez les obstacles.
	Congélation d'une plus grande quantité d'aliments frais.	Mettez moins d'aliments frais à congeler.

Défaut	Cause possible	Solution
La porte du compartiment congélateur est restée longtemps ouverte ; le compartiment congélateur n'atteint plus la température.	L'évaporateur (le générateur de froid) équipant le système No Frost est tellement givré qu'il ne peut plus se dégivrer de façon entièrement automatique.	Pour dégivrer l'évaporateur, sortez les produits alimentaires dans leurs casiers et rangez-les bien isolés dans un endroit frais. Éteignez l'appareil et éloignez-le du mur. Laissez la porte de l'appareil ouverte. Au bout de 20 minutes environ, l'eau de dégivrage commence à couler dans le bac d'évaporation au dos de l'appareil.



Pour éviter dans ce cas que le bac d'évaporation ne déborde, récupérez cette eau à l'aide d'une éponge.



**ATTENTION :**

**RISQUE DE BRÛLURE :**

Les pièces de l'appareil peuvent être très chaudes. Procédez avec précaution !

L'évaporateur est entièrement dégivré lorsqu'il ne coule plus d'eau de dégivrage dans le bac d'évaporation. Nettoyez le compartiment intérieur. Remettez l'appareil en service.

## Service à la clientèle

Si nécessaire, nous recommandons de confier l'inversion du sens d'ouverture de porte à notre service à la clientèle. Pour connaître le prix d'une inversion du sens d'ouverture de porte, consultez votre service à la clientèle compétent.

Avant d'appeler le service à la clientèle, veuillez vous référer au chapitre Remédier soi-même aux petites pannes.

Après vérification conformément au chapitre Remédier soi-même aux petites pannes, il est possible d'appeler (gratuitement) le Bosch Customer Support Center au 1-800-944-2904 depuis tout le territoire des É-U.

Au Canada, veuillez vous adresser à votre SAC Bosch ou composer le numéro 1-800-944-2904.

Si vous avez besoin que le SAC vous aide, veuillez avant de l'appeler noter les informations suivantes relatives à votre appareil afin de les avoir à portée de main et que le SAC vous aide de manière plus ciblée.

Nom du revendeur :

Adresse :

N° de téléphone :

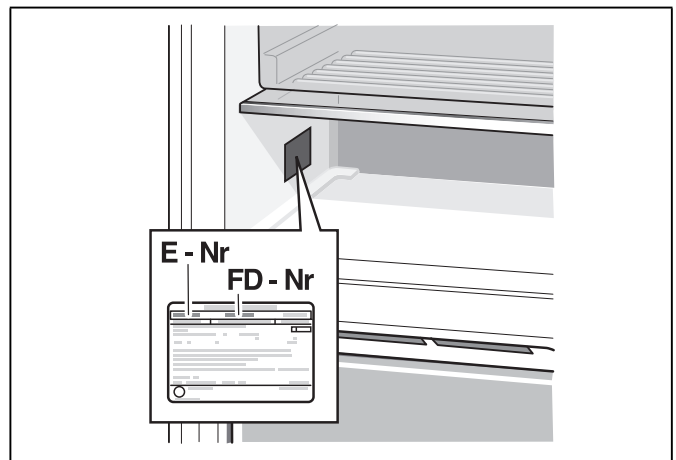
Date d'achat :

Numéro du modèle :

Numéro de fabrication (FD) :

Numéro de série

Type



**BSH Home Appliances Corporation**

1901 Main Street, Suite 600  
Irvine, CA, 92614, USA

**[www.bosch-home.com](http://www.bosch-home.com)**



8001109282

en-us, es-mx, fr-ca  
(9804)