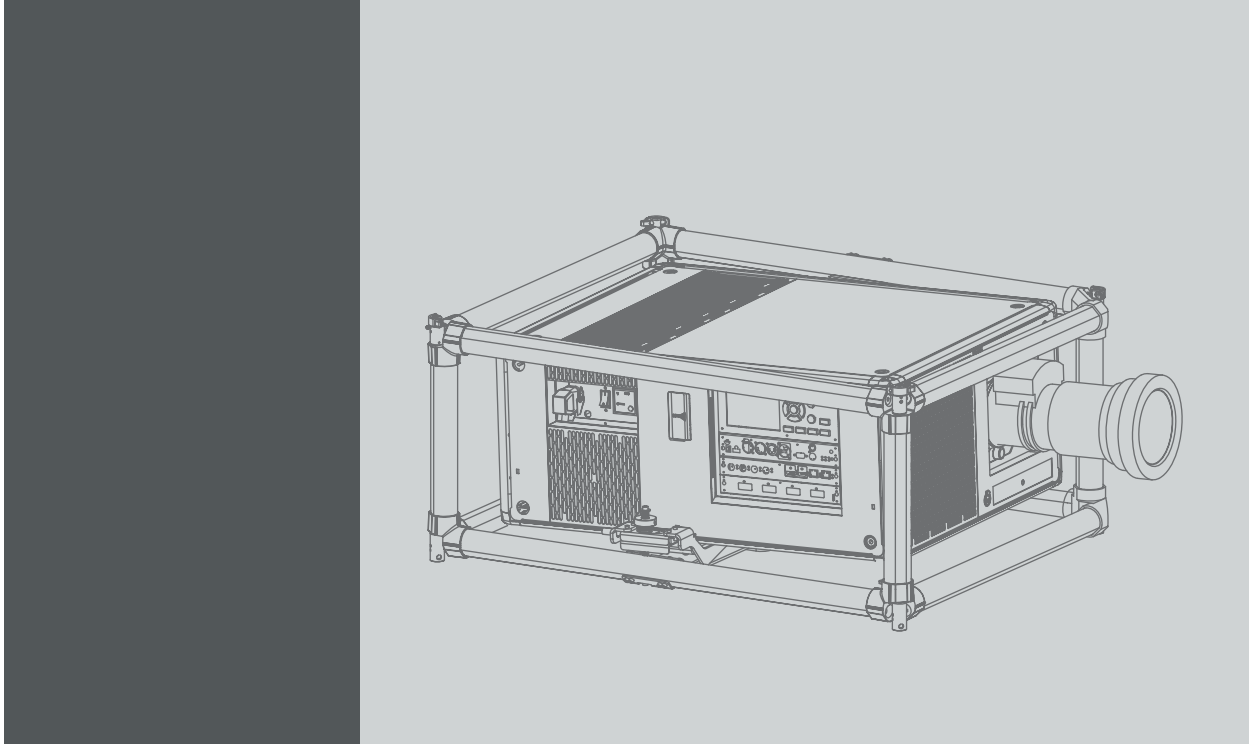


UDX Multifunctional Frame



Installation manual

Barco NV

President Kennedypark 35, 8500 Kortrijk, Belgium

Phone: +32 56.36.82.11

Fax: +32 56.36.883.86

Support: www.barco.com/en/support

Visit us at the web: www.barco.com

Changes

Barco provides this manual 'as is' without warranty of any kind, either expressed or implied, including but not limited to the implied warranties or merchantability and fitness for a particular purpose. Barco may make improvements and/or changes to the product(s) and/or the program(s) described in this publication at any time without notice.

This publication could contain technical inaccuracies or typographical errors. Changes are periodically made to the information in this publication; these changes are incorporated in new editions of this publication.

The latest edition of Barco manuals can be downloaded from the Barco web site www.barco.com or from the secured Barco web site <https://www.barco.com/en/signin>.

Copyright ©

All rights reserved. No part of this document may be copied, reproduced or translated. It shall not otherwise be recorded, transmitted or stored in a retrieval system without the prior written consent of Barco.

Disposal Information

Waste Electrical and Electronic Equipment



■ This symbol on the product indicates that, under the European Directive 2012/19/EU governing waste from electrical and electronic equipment, this product must not be disposed of with other municipal waste. Please dispose of your waste equipment by handing it over to a designated collection point for the recycling of waste electrical and electronic equipment. To prevent possible harm to the environment or human health from uncontrolled waste disposal, please separate these items from other types of waste and recycle them responsibly to promote the sustainable reuse of material resources.

For more information about recycling of this product, please contact your local city office or your municipal waste disposal service.

For details, please visit the Barco website at: <http://www.barco.com/en/AboutBarco/weee>

Guarantee and Compensation

Barco provides a guarantee relating to perfect manufacturing as part of the legally stipulated terms of guarantee. On receipt, the purchaser must immediately inspect all delivered goods for damage incurred during transport, as well as for material and manufacturing faults Barco must be informed immediately in writing of any complaints.

The period of guarantee begins on the date of transfer of risks, in the case of special systems and software on the date of commissioning, at latest 30 days after the transfer of risks. In the event of justified notice of complaint, Barco can repair the fault or provide a replacement at its own discretion within an appropriate period. If this measure proves to be impossible or unsuccessful, the purchaser can demand a reduction in the purchase price or cancellation of the contract. All other claims, in particular those relating to compensation for direct or indirect damage, and also damage attributed to the operation of software as well as to other services provided by Barco, being a component of the system or independent service, will be deemed invalid provided the damage is not proven to be attributed to the absence of properties guaranteed in writing or due to the intent or gross negligence or part of Barco.

If the purchaser or a third party carries out modifications or repairs on goods delivered by Barco, or if the goods are handled incorrectly, in particular if the systems are operated incorrectly or if, after the transfer of risks, the goods are subject to influences not agreed upon in the contract, all guarantee claims of the purchaser will be rendered invalid. Not included in the guarantee coverage are system failures which are attributed to programs or special electronic circuitry provided by the purchaser, e.g. interfaces. Normal wear as well as normal maintenance are not subject to the guarantee provided by Barco either.

The environmental conditions as well as the servicing and maintenance regulations specified in this manual must be complied with by the customer.

Trademarks

Brand and product names mentioned in this manual may be trademarks, registered trademarks or copyrights of their respective holders. All brand and product names mentioned in this manual serve as comments or examples and are not to be understood as advertising for the products or their manufacturers.

1. UDX SERIES MULTIFUNCTIONAL FRAME

Purpose of the UDX series multifunctional frame

The UDX series multifunctional frame is exclusively designed for the Barco UDX projectors and can thus not be used on any other equipment.

Overview

- Safety
- Introduction
- Before assembling the frame
- Assembling the frame
- Installing the projector onto the multifunctional frame
- Stacking multiple projectors using the multifunctional frame
- Suspending the projector from a truss
- Skewing the projector
- Tilting the projector
- Rotating the projector
- Dimensions

1.1 Safety

About this chapter

Read this chapter attentively. It contains important information to prevent damage to the rigging frame. Ensure that you understand and follow all safety instructions mentioned in this chapter before installing the rigging frame. After this chapter, additional “warnings” and “cautions” are given depending on the installation procedure. Read and follow these “warnings” and “cautions” as well.

Installation personnel

This assembly of the frame and installation of the projector must be performed by authorized and qualified technical personnel only.

Single assembly only

You can only assemble the rigging frame one single time. While you can remove and install other F90 projectors into the frame and it is allowed to replace safety cables, it is not allowed to disassemble the rigging frame itself.

Expiry date provided adhesive

Make sure to check the expiry date of the adhesive, provided with the rigging frame. Make sure the adhesive (high strength thread-locker) is not expired.

If expired, make sure to get new adhesive of similar or higher strength than the one provided in the kit.

Securing all screws and stacking pins

Make sure that the thread of the screws and the stacking pins are provided with the necessary amount of adhesive.



CAUTION: Make sure that all the screws are sufficiently tightened. Respect the torque required to tighten all screws.

Forgetting or neglecting to do this may result in an unsafe rigging frame.



CAUTION: When the safety cables have undergone a heavy shock, invisible damage may have occurred to the safety cables. In this case the safety cables must be replaced.

Maximum stacking and hanging

UDX projectors can be stacked on top of each other on a flat surface, or suspended from a truss using the multifunctional frame.

Keep the following in mind:

- It is allowed to stack **maximum three** projectors.
- It is allowed to suspend **maximum two** projectors.

Transportation of the frame

Never transport the multifunctional frame in portrait position with a projector mounted. Failure to do so can cause damage the multifunctional frame. Refer to image 1-1 for a bad and good example of transportation.

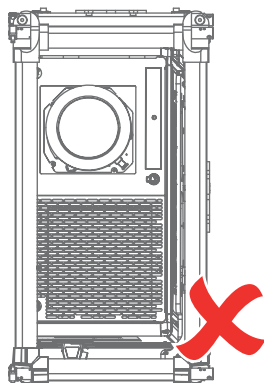
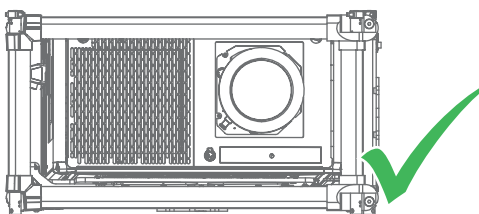


Image 1-1
Transportation method of the frame



This limitation only counts for transportation of a rigging frame with projector mounted. You can still install the projector in portrait position while in the rigging frame.

1.2 Introduction

Functionality

An UDX projector mounted in the multifunctional frame makes the projector more rugged and handy.

The multifunctional frame makes it possible to stack multiple projectors. This can be useful for a dual projection 3D system. In the multifunctional frame, the projector can be rotated around x, y and z axis in order to obtain a seamless adjustment.

Furthermore, the multifunctional frame can be used to suspend the projector from a truss. This can be done either in a upright or upside down position.

Content of the kit

Content	Pieces
Bottom frame	1
Top frame	1
Vertical profile	4
Rigging screw	8
Side bracket	1
Hex screw with socket head M8 x 20	7
Hex screw with socket head M8 x 45	4
Top stacking pin	4
Small mounting plates	2
Bottom stacking pin	4
Locking pins	4
Set screw M6	8
Orientation rod + nut M3	3
Hex screw with socket head M8 x 30	6
Spring washer M8	6
Plain washer M8	6
High strength threadlocker	1

Necessary tools

- Torque Wrench with **high** 17 mm hex socket
- Torque Wrench with **long** 6 mm Allen socket
- Allen wrench 6 mm
- Allen wrench 3 mm



The high 17 mm hex socket is not a common type of socket. Make sure you have this at your disposal before assembling the frame.

Parts identification

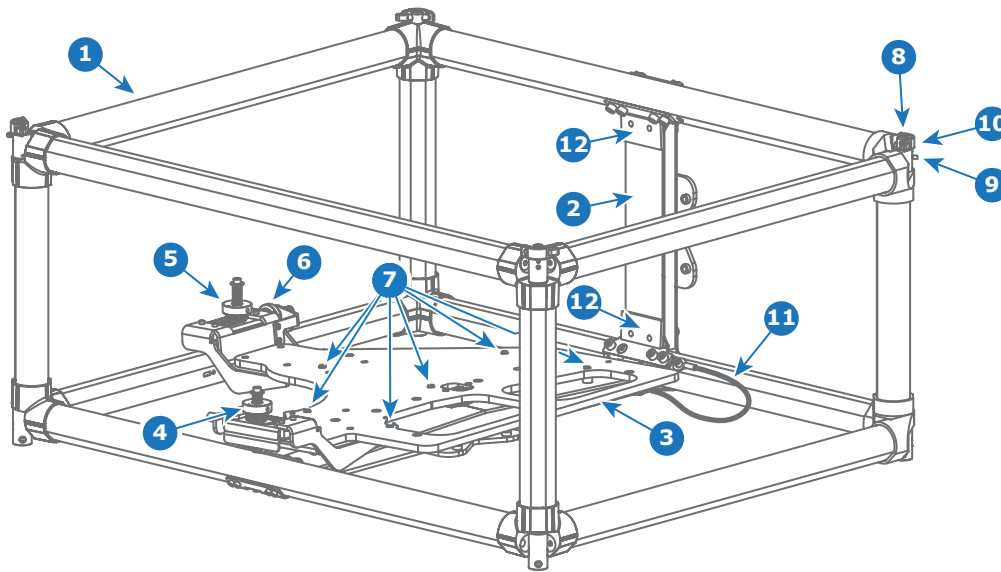


Image 1-2

- 1 Multifunctional frame (rear side)
- 2 Side bracket
- 3 Projector supporting structure
- 4 Rotate adjustment knob
- 5 Tilt adjustment knob
- 6 Skew adjustment knob
- 7 Projector mounting holes
- 8 Stacking pin
- 9 Orientation rod + nut
- 10 Locking pin
- 11 Safety cable (pre-mounted)
- 12 Small mounting plate

1.3 Before assembling the frame

Packaging

Be careful not to remove all of the cardboard when removing the rigging frame parts from the packaging. You will need the following parts when trying to place the UDX projector into the rigging frame.

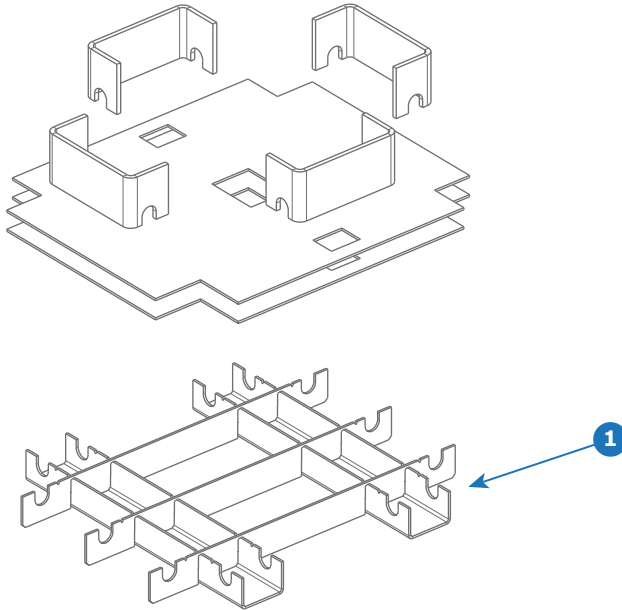


Image 1-3
1 Part of package to be used to insert projector in rigging frame.

1.4 Assembling the frame

Necessary tools

- Torque wrench with large 17 mm hex socket
- Allen wrench 3 mm
- Allen wrench 6 mm
- High strength threadlocker (e.g. Loctite 262)

Necessary parts

- Bottom Frame
- Top Frame
- Vertical profile (x4)
- Rigging screw (x8)
- Support frame
- Hex screw with socket head M8x20 (x7)
- Hex screw with socket head M8x45 (x4)
- Top stacking pin (x4)
- Bottom stacking pin (x4)
- Set screw M6 (x8)
- Orientation rod + nut M3

How to assemble the rigging frame?

1. Lay out the bottom frame as illustrated.

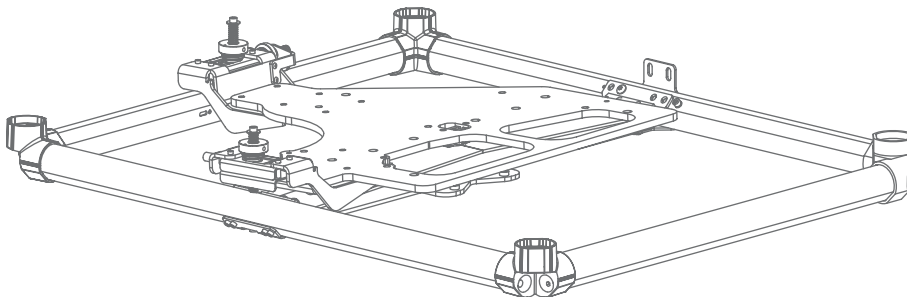


Image 1-4

2. Assemble the vertical frames onto the bottom frame as illustrated. Use the rigging screws to tighten them together.
Caution: Use high strength threadlocker on the rigging screws thread. Tighten the rigging screws with a torque of 40 Nm.

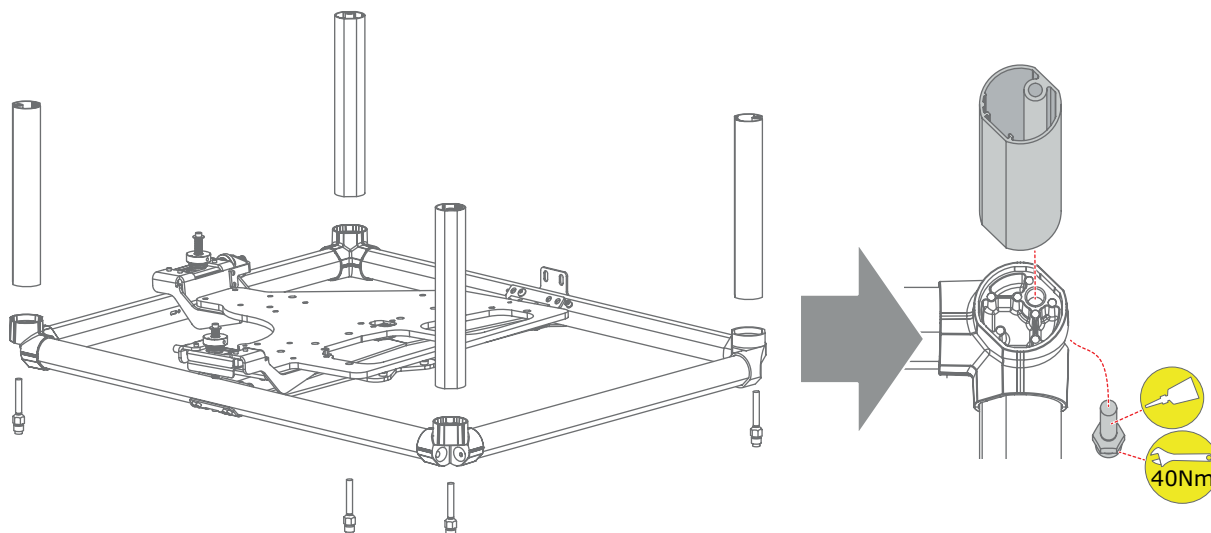


Image 1-5

3. Place the top frame onto the rest of the rigging frame. Make sure that the two side frame brackets are positioned on the same side and opposite of each other (image 1-6). If this is not possible due to mechanical error, contact Barco.

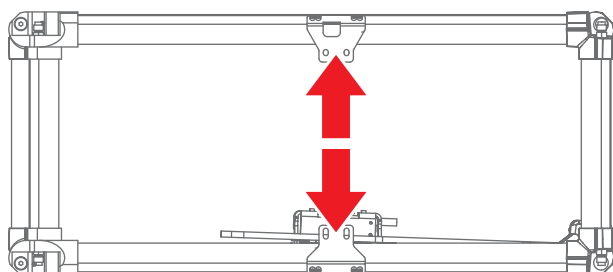


Image 1-6

4. Fixate the top frame onto the rest of the rigging frame. Use the rigging screws to tighten the two together.
Caution: Use high strength threadlocker on the rigging screws thread. Tighten the rigging screws with a torque of 40 Nm.

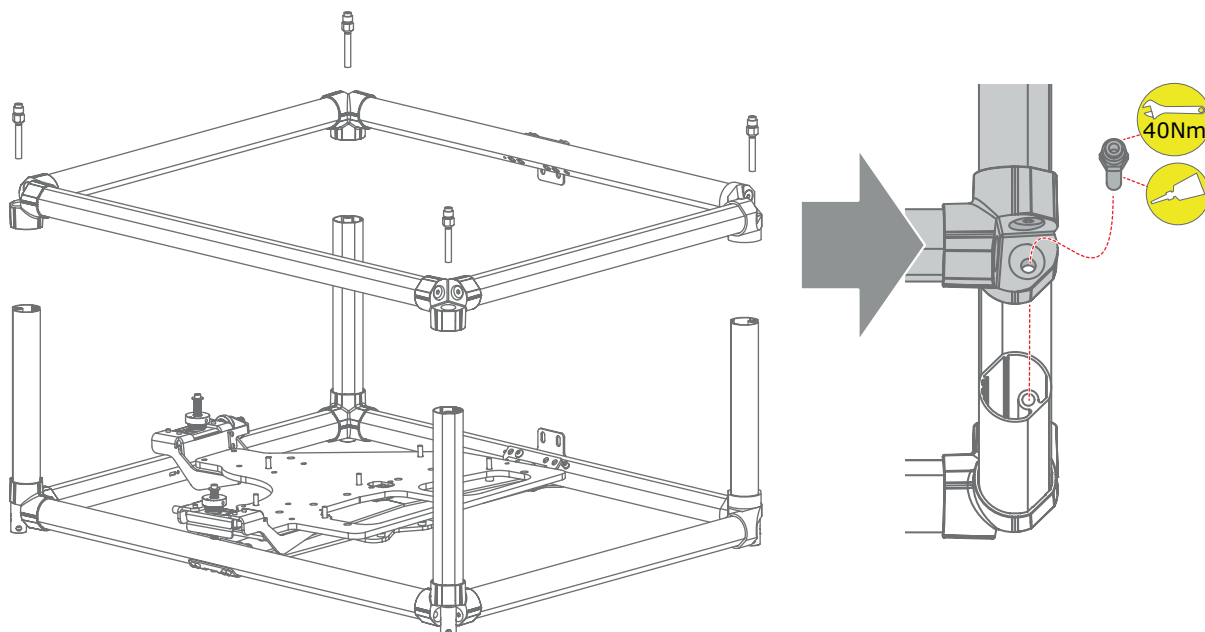


Image 1-7

5. Attach the side frame to the rigging frame as illustrated (image 1-8). Use the two small plates with screw thread holes.
6. Install all 11 hex screws **without tightening**. Use an 6 mm Allen wrench.
- 7 screws M8 x 20
 - 4 screws M8 x 45 (insert in small plates)
- Caution:** Use high strength threadlocker on ALL hex screws.

1. UDX series multifunctional frame

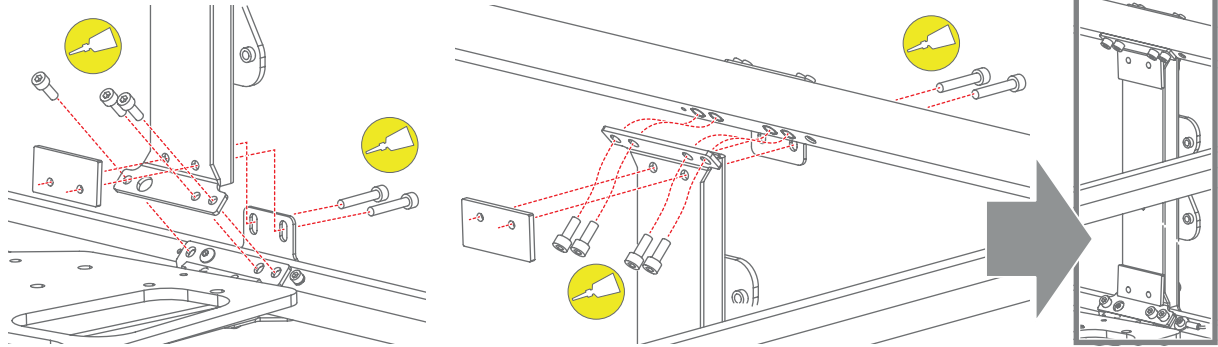


Image 1-8

- When all screws are installed, tighten the screws.
Caution: Make sure that all 11 screws are well tightened.

How to install the stacking pins?

- Install the top and bottom stacking pins onto the top side of the frame as illustrated.
Caution: Provide sufficient high strength threadlocker on the inner thread of the stacking pins.

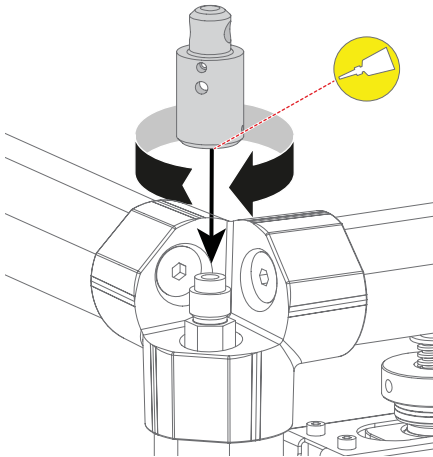


Image 1-9

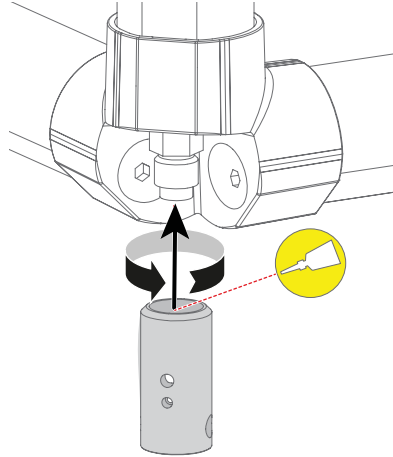


Image 1-10

- Tighten the stacking pins by hand until you feel it's been fully tightened.
- Turn the stacking pins back in the opposite direction until you can place the orientation rod + nut as illustrated image 1-11).
Caution: Make sure the orientation rod is pointing precisely in the round of the corner piece. If not done precisely, the frame will not be connectable to other frames. For more info on connecting rigging frames, see "Stacking multiple projectors using the multifunctional frame", page 8 .

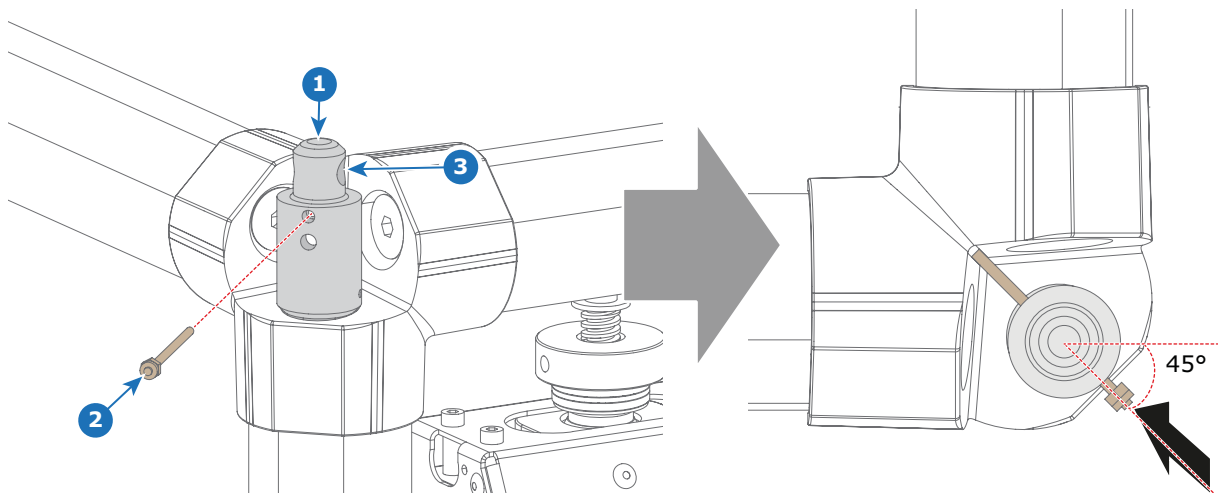


Image 1-11

- Stacking pin
- orientation rod M3 + M3 nut
- Stacking hole

4. Mount the M6 set screws. Use a 3 mm Allen wrench.
Caution: Use sufficient high strength threadlocker on the set screws.

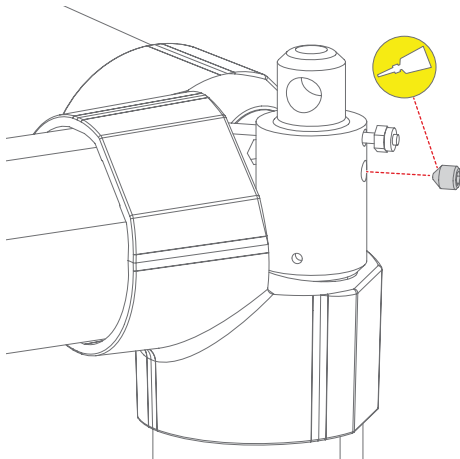


Image 1-12

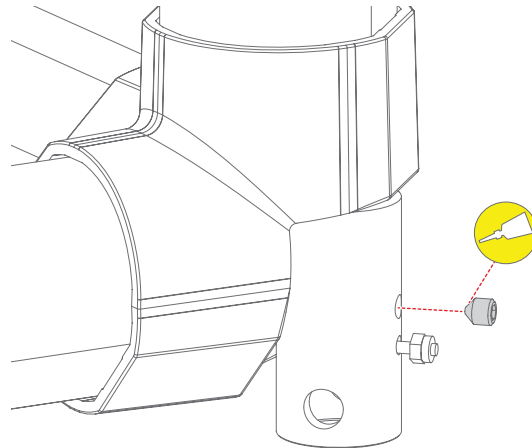


Image 1-13

5. Remove the orientation rod + nut

1.5 Installing the projector onto the multifunctional frame

Necessary tools

Torque Wrench with long 6 mm Allen socket

Necessary parts

- Rigging frame cardboard packaging
- hex screws with socket head M8 x 30 (x6)
- Spring washer M8 (x6)
- Plain washer M8 (x6)
- Locking pins (x4)



CAUTION: Don't tighten the five hex screws of the frame until you've positioned all screws into the projector.

How to install the projector onto the multifunctional frame?

1. Place the bottom part of the packaging on a clean, flat and stable surface (e.g. clean floor).
2. Place the projector on the packaging, upside down.
Note: Make sure that the openings in the bottom cardboard are left open for the frame itself. Center the projector in the middle of the packaging.
3. Remove the four adjustable feet from the projector.
Caution: Ensure the feet are removed from the projector!
4. Place the rigging frame over the projector as illustrated. Align the mounting holes of the rigging frame to the mounting holes of the projector.

1. UDX series multifunctional frame

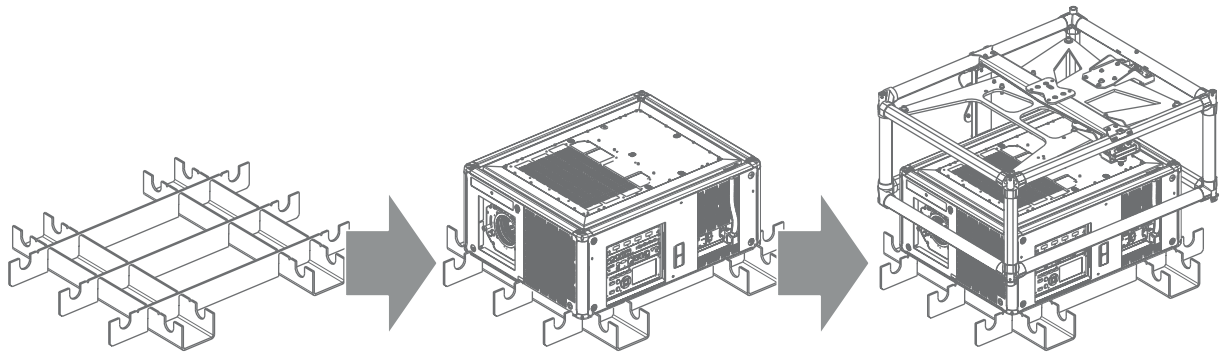


Image 1-14

5. Mount the six M8 hex screws (reference 1) + spring washer (reference 2) + plain washer (reference 3) on the bottom of the rigging frame to tie the two together.

Caution: Fasten the six screws with a torque of 20 Nm.

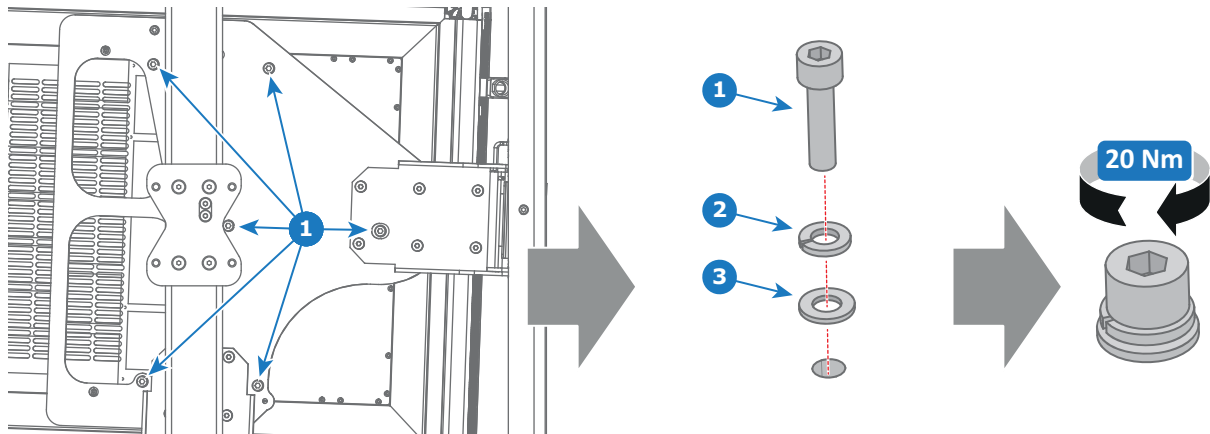


Image 1-15

How to finish the installation

1. Make sure that all screws are tightened.
2. Lift the rigging frame with projector up and flip it upside down.
3. Install the four locking pins (reference 1 image 1-16) in the top stacking pins.

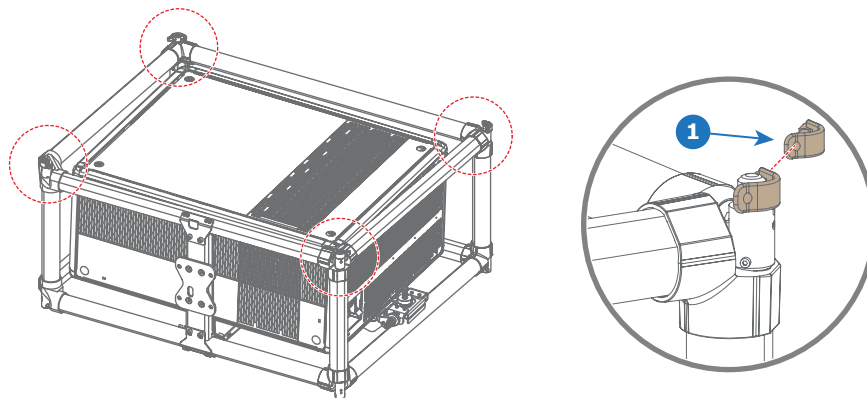


Image 1-16

Note: Skip this step if you immediately are going to stack or suspend multiple rigging frames.

1.6 Stacking multiple projectors using the multifunctional frame



WARNING: It is not allowed to stack more than three projectors.

Stacking limit

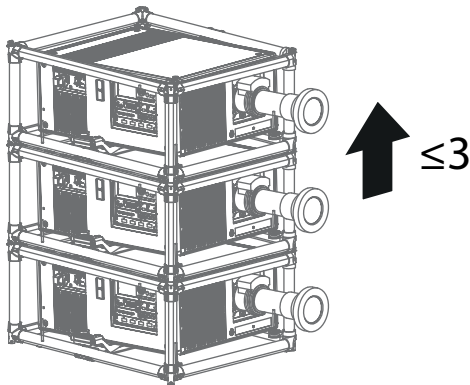


Image 1-17



Image 1-18
Example of double coupler (recommended for fix install)



In case of fixed install it's recommended to use four double couplers to stack the multifunctional frames. This create some space between the frames which allows easy access to the top air filter for servicing.

Necessary parts

Locking pins

How to stack multiple projectors using the multifunctional frame?

1. Make sure that each projector is installed in their respective rigging frame.
2. If pre-installed, remove all four locking pins (reference 1, image 1-19) from each multifunctional frame, except the frame that will be installed on top of the stack.

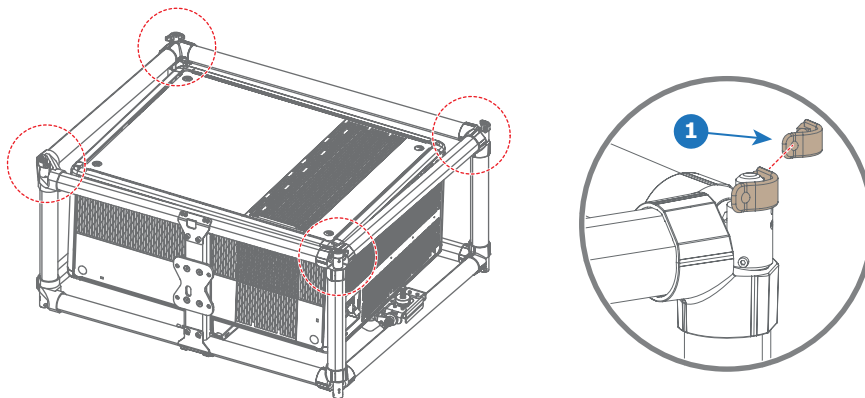


Image 1-19

Note: Even if not all pins are necessary in your current setup, it is important to keep all locking pins to their respective rigging frame for future use.

3. Stack the multifunctional frames. Make sure the stacking pins of both frames are aligned.

1. UDX series multifunctional frame

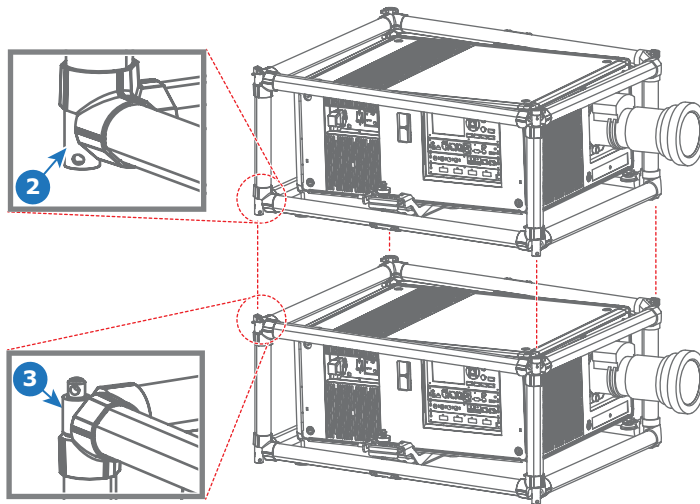


Image 1-20

- 2 Lower stacking pins
- 3 Upper stacking pins

4. Install a locking pin (reference 1, image 1-21) through the overlapping hole of both stacking pins.

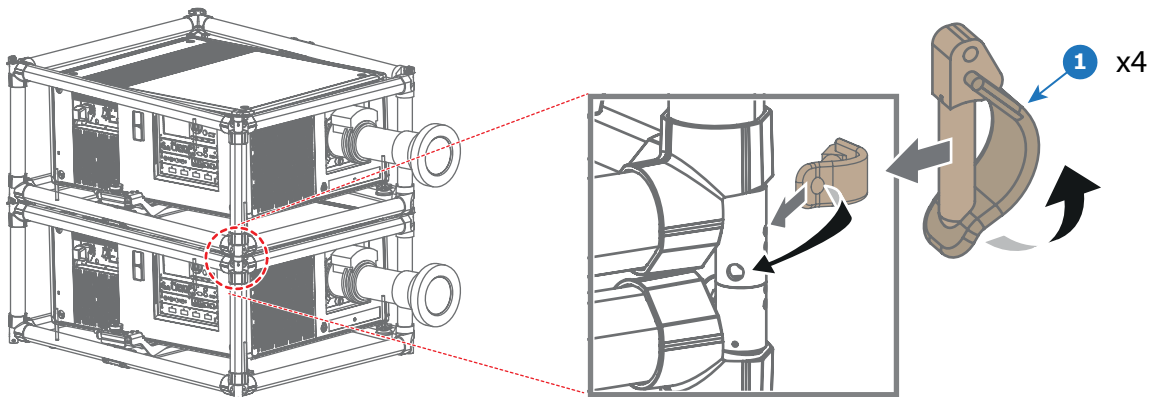


Image 1-21

5. Repeat the previous step for each overlapping corner of all stacked rigging frames.

1.7 Suspending the projector from a truss



WARNING: It is the responsibility of the installer to suspend the rigging frames in a safe and secure fashion. Safety cables must be applied according to local regulations and standards. Safety cables must be dimensioned for the applicable load and no drop distance is allowed or must be limited as much as possible.

Suspending the projector from a truss

The projector can be suspended from a truss using the multifunctional frame.

Take the following things into account:

- If suspension clamps are used, they can be placed on any of the round profiles of the frame. The number of clamps required depends on the types of clamps used. Always make sure you use at least 4 clamps: 2 clamps at 2 opposed sides of the frame. Make sure to take into account the total weight of all frames and projectors suspended from the truss.

- It is allowed to suspend **maximum two** projectors.

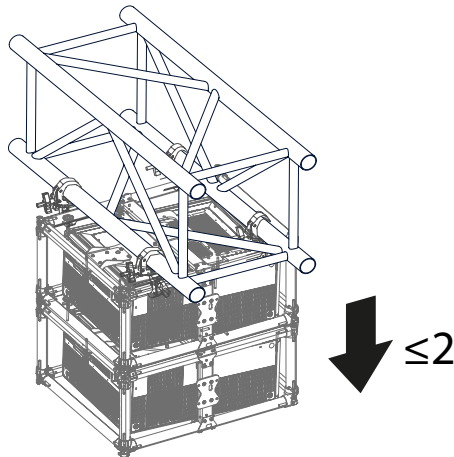


Image 1-22

- Alternatively, when using a single point of connection, you can use one of the two rigging points for suspending the frames. When using this method, also make sure to attach two safety cables. Tie these cables from the truss towards two of the frame bars opposing each other.

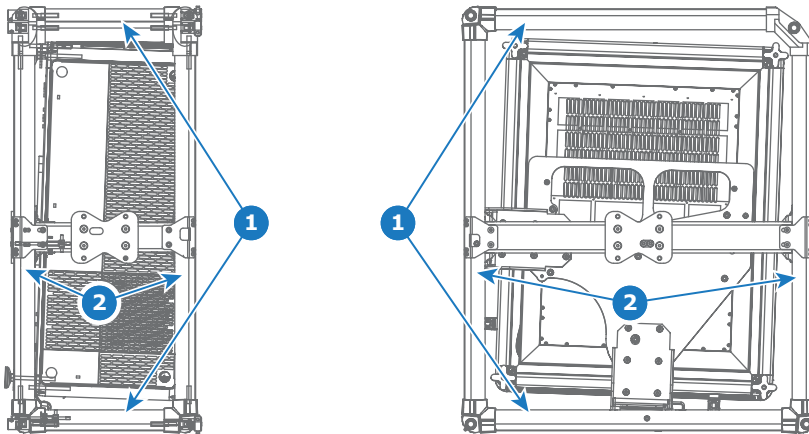


Image 1-23

- When using a single point hanger, take into account that the 4 bolts connecting the single point hanger to the frame should be M8 bolts that must be inserted at least 15 mm into the frame rigging points.



CAUTION: When using single point suspension (both ceiling or portrait mode), it is not allowed to incline the frame for more than 20° towards the horizon.

How to suspend from a truss, using the rigging clamps

1. Measure the distance between the two used support bars of the truss, using the center tube as reference.

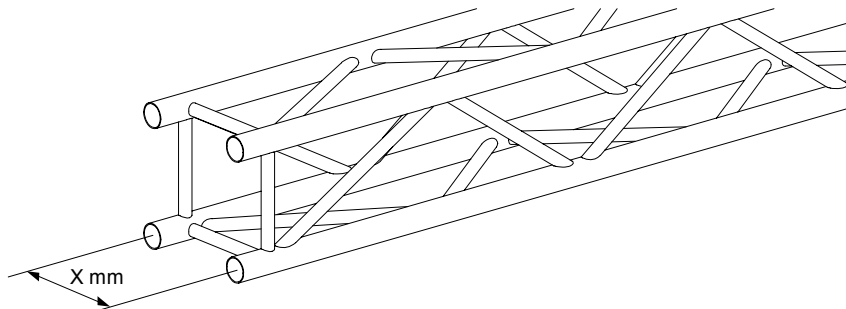


Image 1-24
Example of truss

2. Turn the projector upside down and install the rigging clamps, according the measured distance and secure this position. Ensure that the rigging points are symmetrically lined up, so that the projector will hang in balance.

1. UDX series multifunctional frame

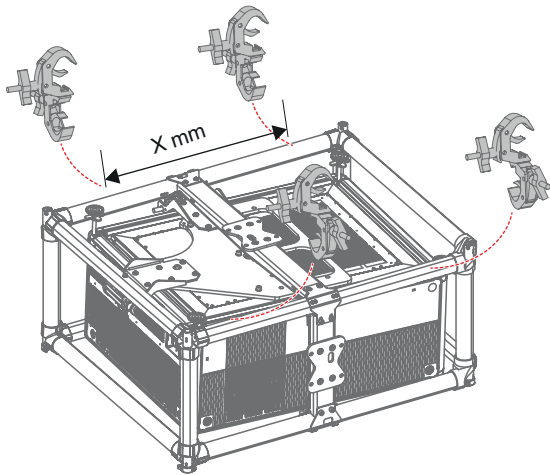


Image 1-25

Warning: Always use four (4) rigging points, equally spread, to suspend the projector.

3. If two projectors are suspended from each other, use the method described in "Stacking multiple projectors using the multifunctional frame", page 8 .
4. Place the projector (upside down) under the truss installation and lower the truss until the support bars of the truss are nearby the rigging clamps mounted on the projector.

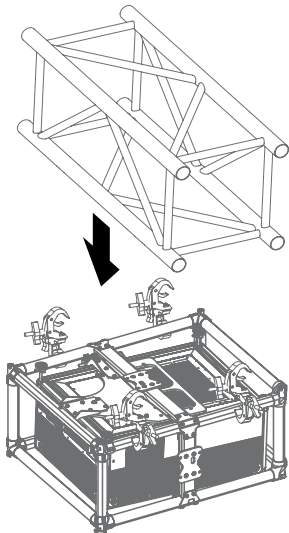


Image 1-26
Example of mounting to truss

Warning: Always secure the rigging points after adjustment.

5. Lock all four rigging clamps..
6. Lift up the truss with the attached projector to the desired height.

How to suspend from a truss, using a single point hanger

1. Turn the projector upside down and install the single point hanger. Use the four big bolts to tighten it to the rigging frame.
Caution: When using a single point hanger, take into account that the 4 bolts connecting the single point hanger to the frame should be M8 bolts that must be inserted at least 15 mm into the frame rigging points.

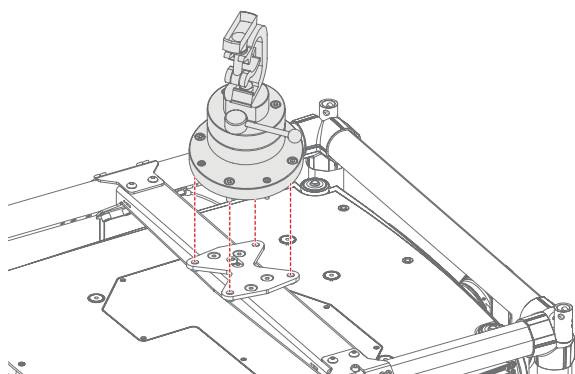


Image 1-27
Example of single point hanger installation in landscape

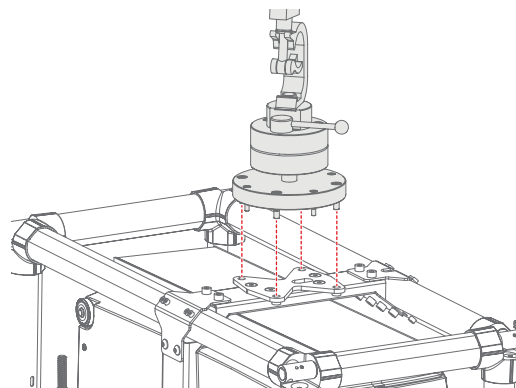


Image 1-28
Example of single point hanger installation in portrait

- Place the projector (upside down) under the truss installation and lower the truss until the support bars of the truss are nearly by the single point hanger mounted on the projector.

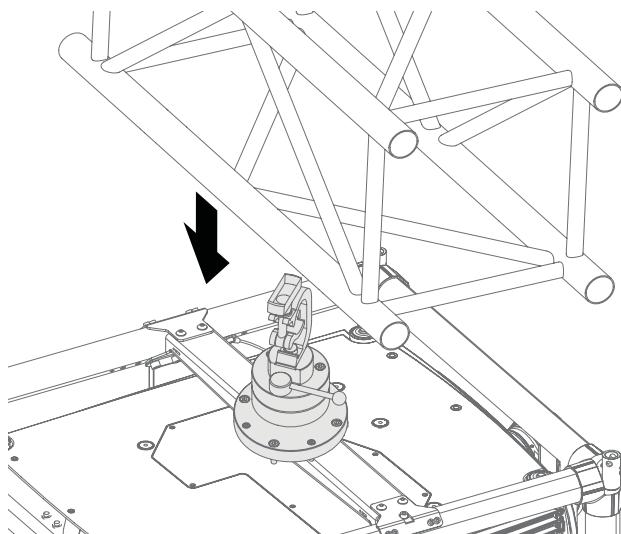


Image 1-29
Example of mounting to truss

- Lock the single point hanger.
- Install two safety cables, one on both sides of the rigging frame, and around the truss. Mount safety cables around the frame bar (push the hook through the loop and then around the truss so that there is not to much play (maximum 20 cm). If necessary turn the cable a few times around the truss before clasping the safety hook around the cable.
Note: *Mount the 2 safety cables in such a way that when something goes wrong, the projector cannot fall more than 20 cm. If necessary, turn the cables a few times around the truss to obtain this maximum distance.*

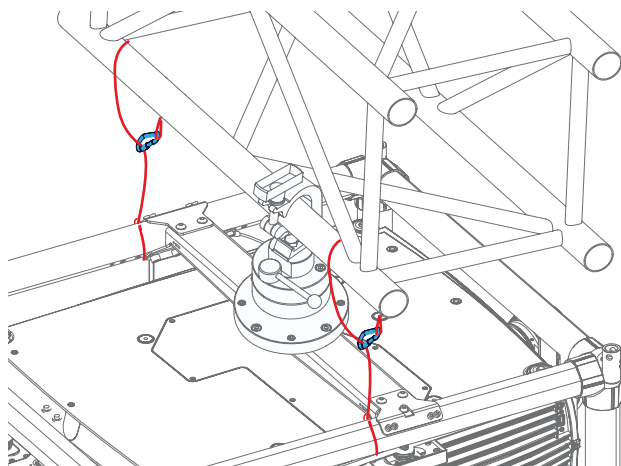


Image 1-30
Example of single point connection with safety cables

- Lift up the truss with the attached projector to the desired height.

1.8 Skewing the projector

How to skew the projector?

1. Turn the skew knob at the back (reference 1, image 1-31) to skew the projector.

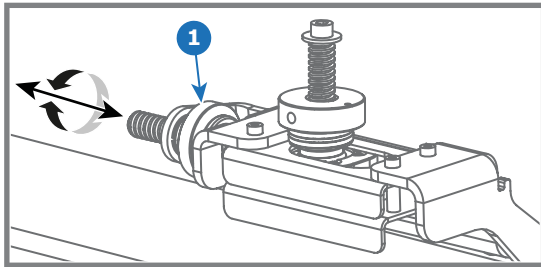
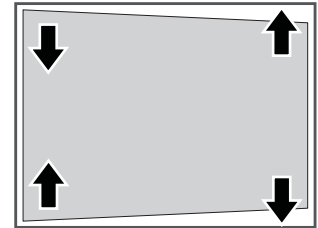
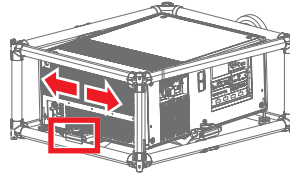


Image 1-31



1.9 Tilting the projector

How to tilt the projector?

1. Turn the tilt adjustment knob at the back (reference 1, image 1-32) to lift the projector up or down.

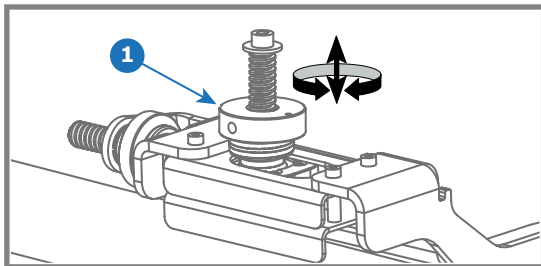
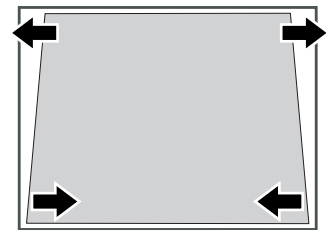
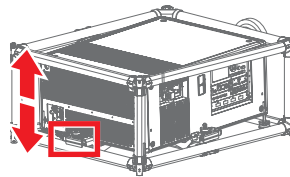


Image 1-32



1.10 Rotating the projector

How to rotate the projector?

1. Turn the rotate adjustment knob on the left side (reference 1, image 1-33) to rotate the projector.

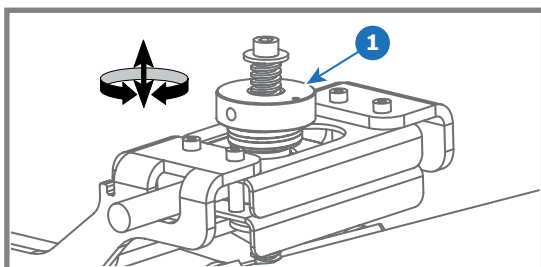
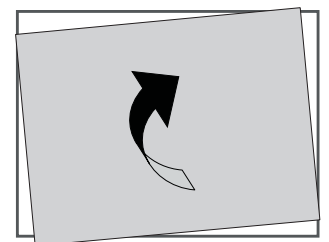
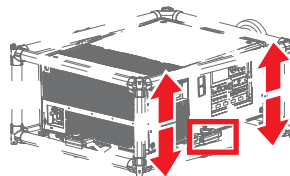


Image 1-33



1.11 Dimensions

Useful Dimensions

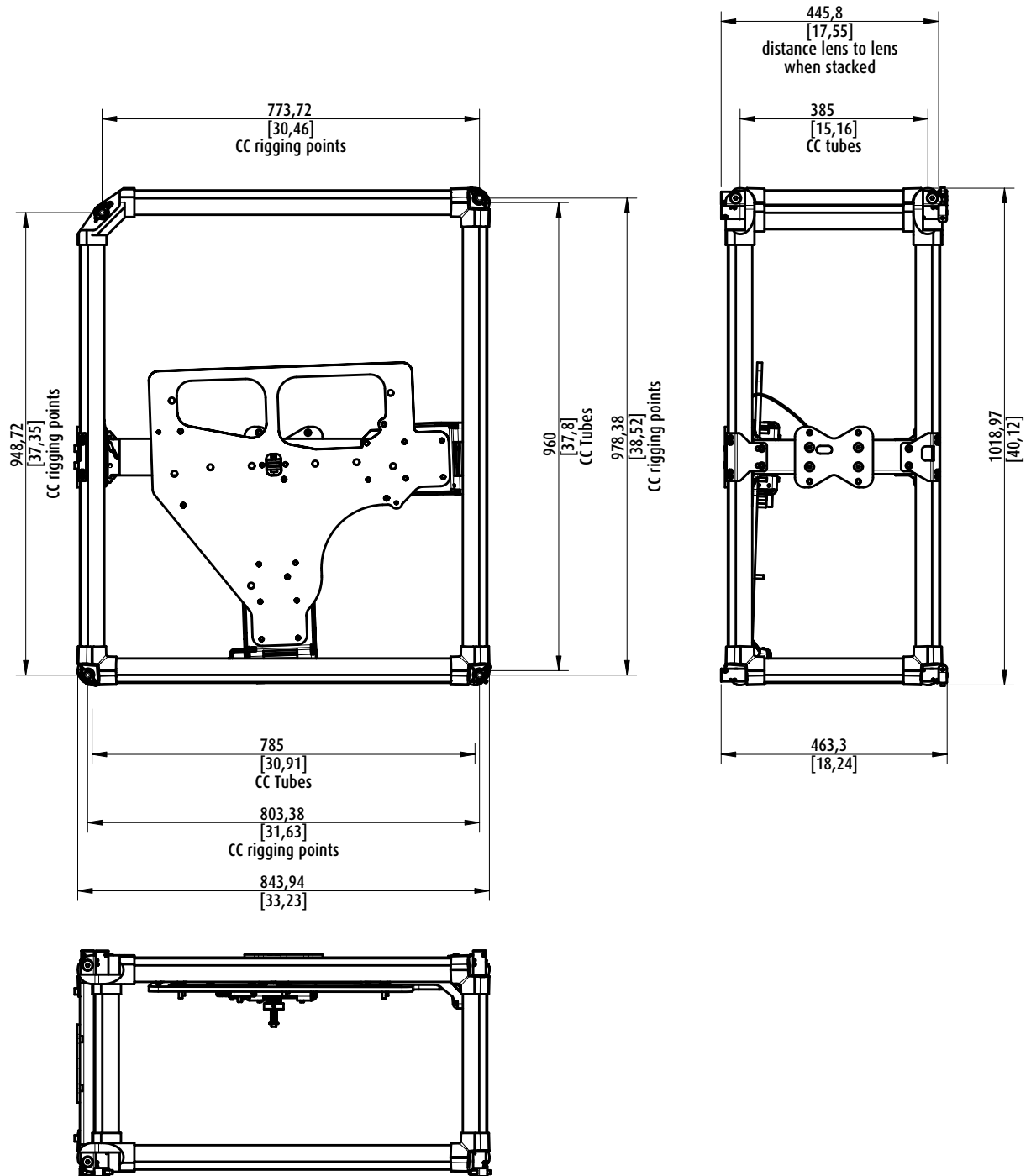


Image 1-34



All dimensions are in mm.

The lens to lens distance when stacking is 445,8 mm.

Weight

The weight of the fully assembled frame without the projector is 27 kg (59.5 lbs).