

Yealink MTouch In-Wall Mount

The Yealink In-Wall Mount supports either the MTouch or CPT18 touch panels. The wall mount is designed for in-wall wiring installations and secures the Yealink touch panel within the box.

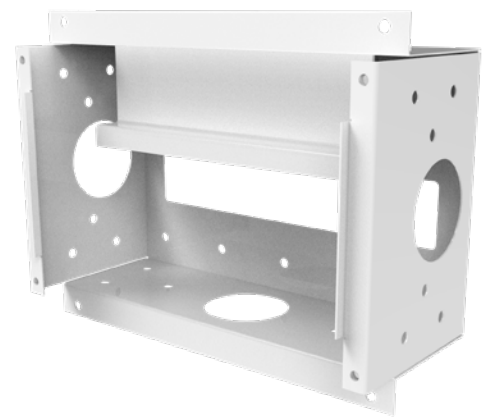
Avteq's Yealink In-Wall Mount provides added security from possible damage or loss of the unit and offers easy access to the touch screen controller for maximum usability. In addition, the in-wall box can be used for post or pre-construction installations. The wall mount comes standard in a glossy white finish.

FEATURES

- In-wall, flush-mount unit
- Wall box with finishing cover – hardware included
- Gloss white finish
- TAA compliant

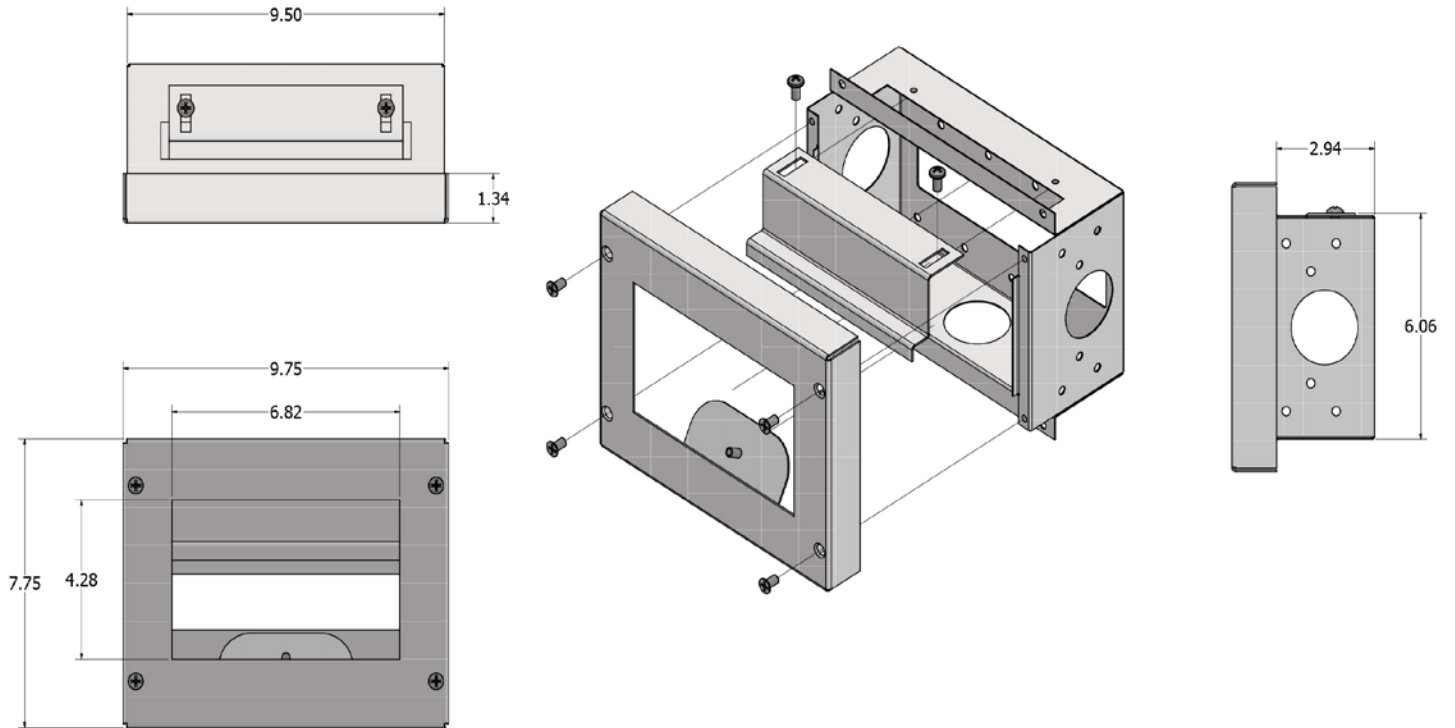


Face Plate



In-wall Box

DIMENSIONS



SPECIFICATIONS

Part Number	YMTOUCH-WMP
Dimensions (HxWxD)	
In-wall box	9.5 x 6.06 x 3 Inches (241.3 x 153.924 x 76.2 mm)
Face plate	9.75 x 7.75 x 3 Inches (247.65 x 196.85 x 76.2 mm)



Call 800.285.8315 or visit AVTEQ.net