

# Mersive Solstice Pod Mount

The Mersive Solstice Pod mount securely supports the device on a wall, display mount or desk. The Solstice Pod easily slides into the mount and then is secured with security screws.

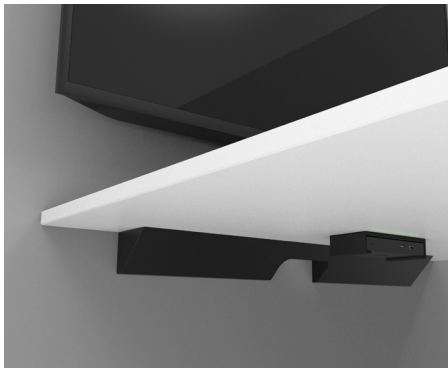
The Avteq mount allows access to the device's ports without keeping it on a shelf or tabletop. Install the Mersive Solstice Pod to the wall, behind the display, or under a desk or tabletop.

## FEATURES

- Mounts to the wall or under a desk
- Black
- TAA compliant



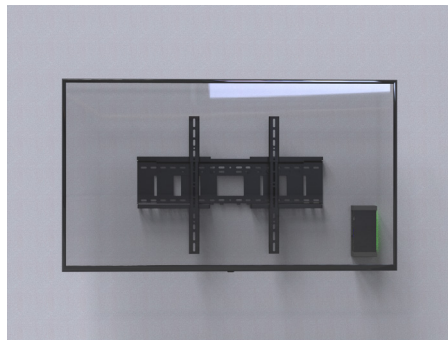
MER1527



Under table mounting



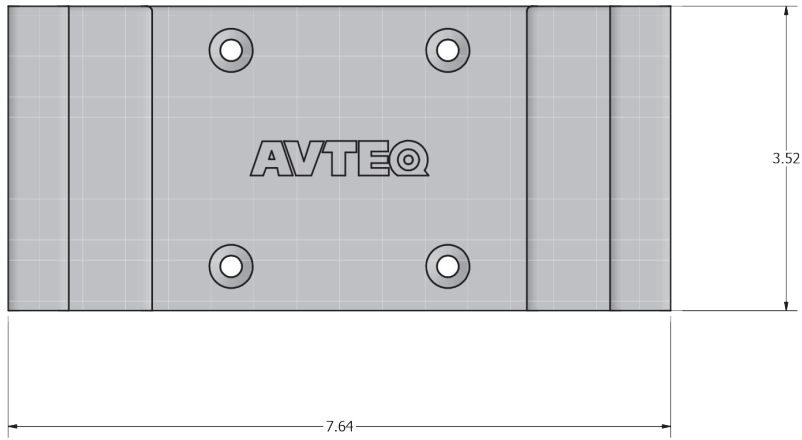
Mersive Solstice Pod Mount



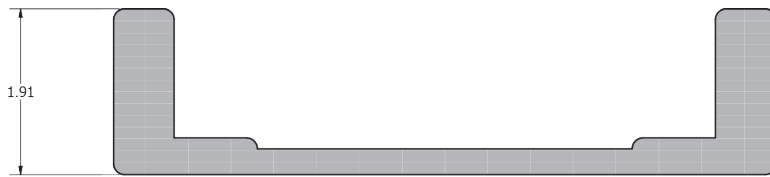
Wall mounting behind display



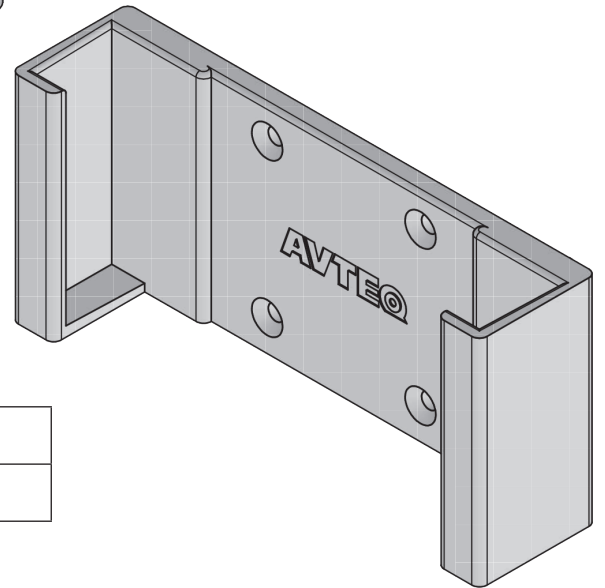
# SPECIFICATIONS



FRONT VIEW



SIDE VIEW



DESCRIPTION	DIMENSIONS	PART NUMBER
Mersive Solstice Pod Mount	7.64"W X x"1.91H X 3.52"D	MER1527



Call 800.285.8315 or visit AVTEQ.net

[facebook.com/avteq](https://www.facebook.com/avteq)
[twitter.com/avteqinc](https://twitter.com/avteqinc)
[youtube.com/avteq](https://www.youtube.com/avteq)
[linkedin.com/avteqinc](https://www.linkedin.com/avteqinc)