

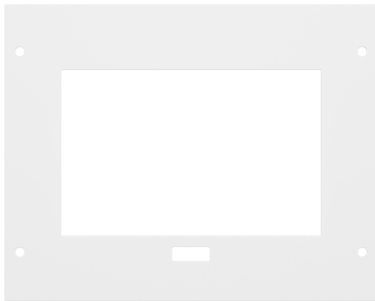
# Poly GC8 In-Wall Mount

The AVTEQ in-wall mount for the Poly GC8 touch panel adds security and accessibility to your video conferencing experience. The 8" GC8 touch panel is compatible with the Poly G10-T, G40-T and G85-T.

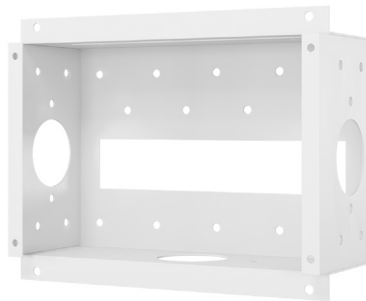
Wall mounting the GC8 prevents possible damage and loss of the unit and provides easy access to the touch screen controller for maximum usability. The mount is designed for post or pre-construction. Due to the depth of the GC8 panel, the faceplate provides a one-inch deep edge around the in-wall box to accommodate the unit. The mount comes standard in a glossy white finish.

## FEATURES

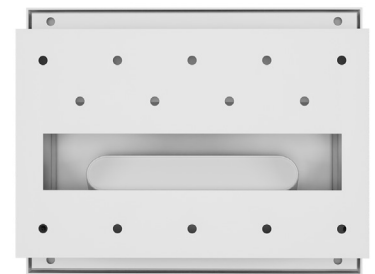
- In-wall mount unit
- Wall box with finishing cover – hardware included
- Gloss white finish
- TAA-Compliant



Faceplate



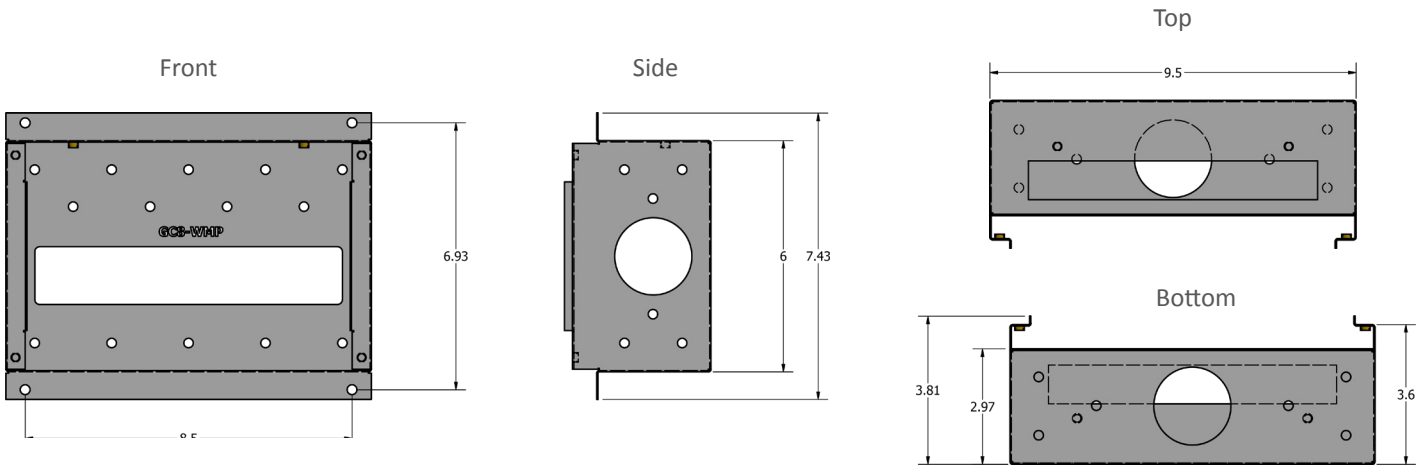
In-wall box



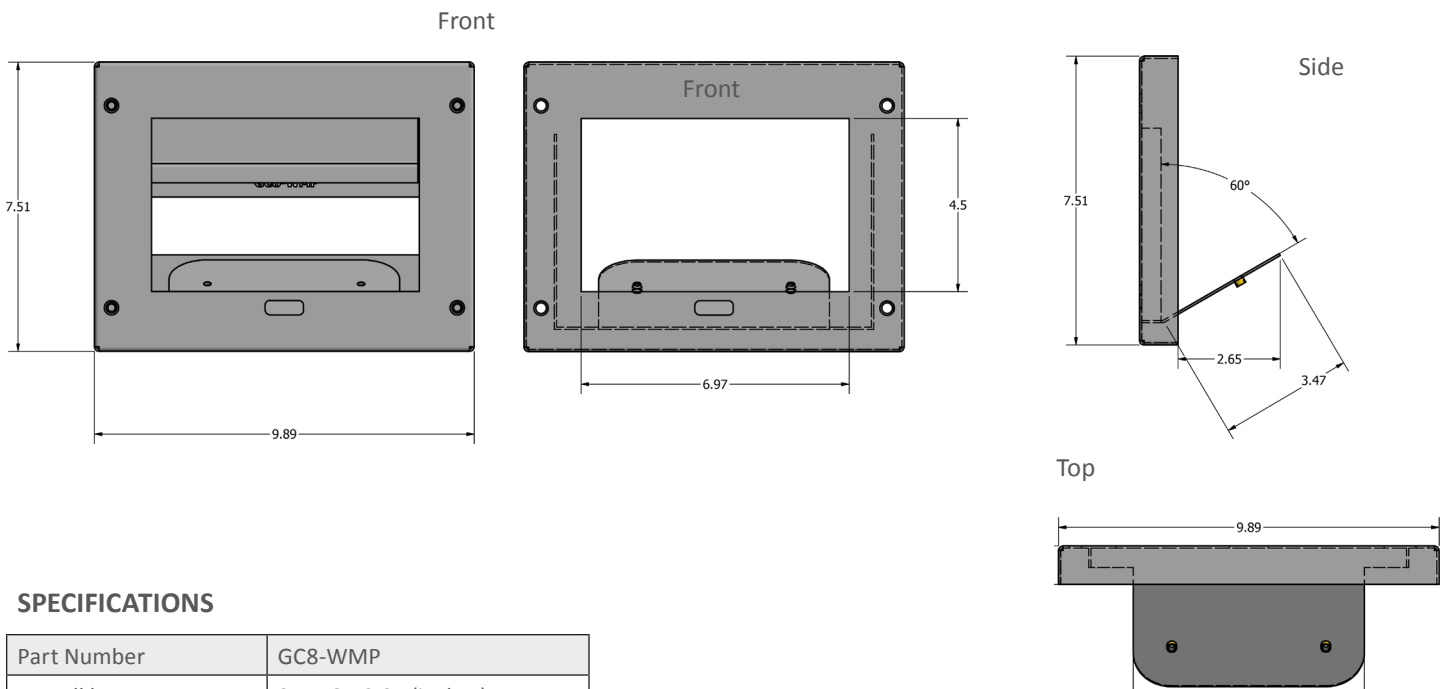
Back view with GC8 panel

# DIMENSIONS

## In-Wall Box



## Faceplate



## SPECIFICATIONS

Part Number	GC8-WMP
In-wall box	9.5 x 6 x 2.97 (inches)
Faceplate	9.89 x 7.51 x 1 (inches)



Call 800.285.8315 or visit AVTEQ.net

[facebook.com/avteq](https://www.facebook.com/avteq)
[twitter.com/avteqinc](https://twitter.com/avteqinc)
[youtube.com/avteq](https://www.youtube.com/avteq)
[linkedin.com/avteqinc](https://www.linkedin.com/avteqinc)