

DynamiQ™ Flex 400 Cart

The DynamiQ Flex 400 is a cost-effective and adaptable mobile display cart that provides both fixed and height adjustable mounting options. Equipped with smooth-rolling, lockable caster wheels, effortlessly move your interactive display anywhere, be it classrooms, conference rooms, or collaborative workspaces. The stand's robust construction guarantees stability, allowing for worry-free interaction even during dynamic presentations.

Fixed Height

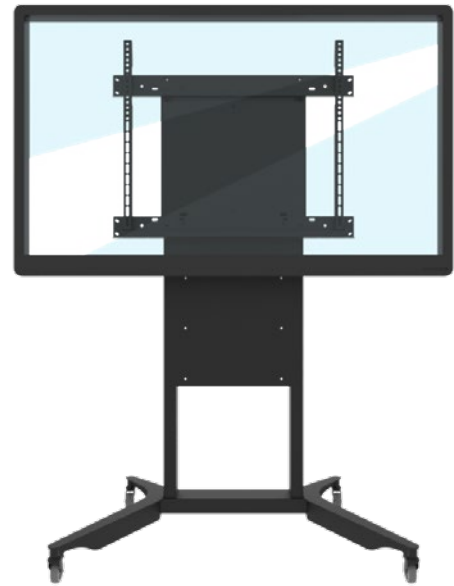
The DynamiQ Flex cart offers two fixed-height adjustments and includes a VESA adapter that supports 200x200 up to 800x600 displays.

Height Adjustable with Easy Glide Mount

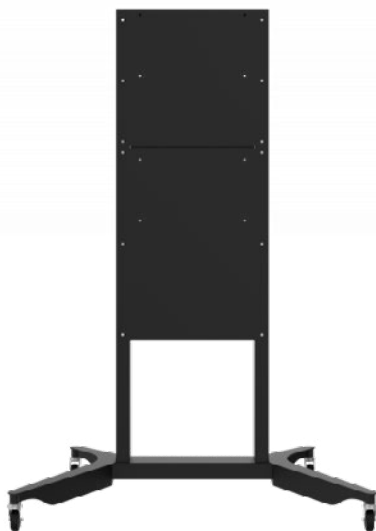
The DynamiQ Flex 400 cart includes the height adjustable DynamiQ 400 easily glides mount, allowing the display to easily move up and down with a slight touch. The height adjustable mount is ideal for interactive flat panels that encourage collaboration and hands-on participation.

FEATURES

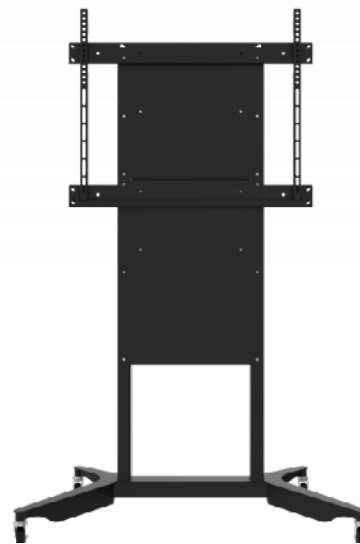
- Supports displays up to 86" diagonal
- VESA adapter included (200x200 up to 800x600)
- 2-level fixed height positions or dynamic height adjustment with the DynamiQ 400 mount
- Optional DynamiQ 400 height adjustable mount
- 3" casters, 2 with brake
- Certifications CE, UL recognized



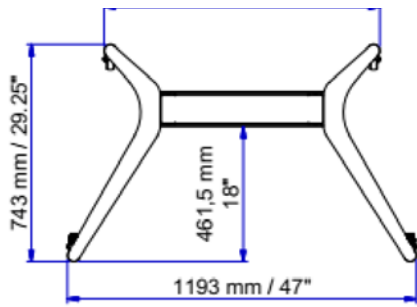
D-FLEX400-70 with VESA adapter



D-FLEX-CART

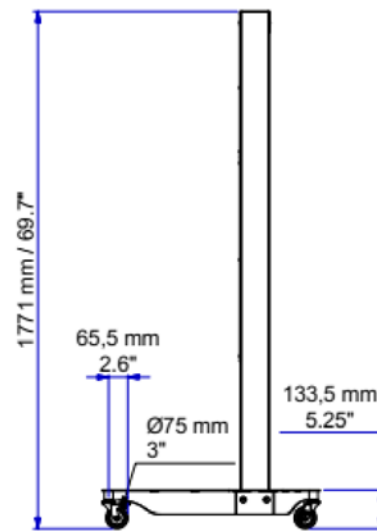
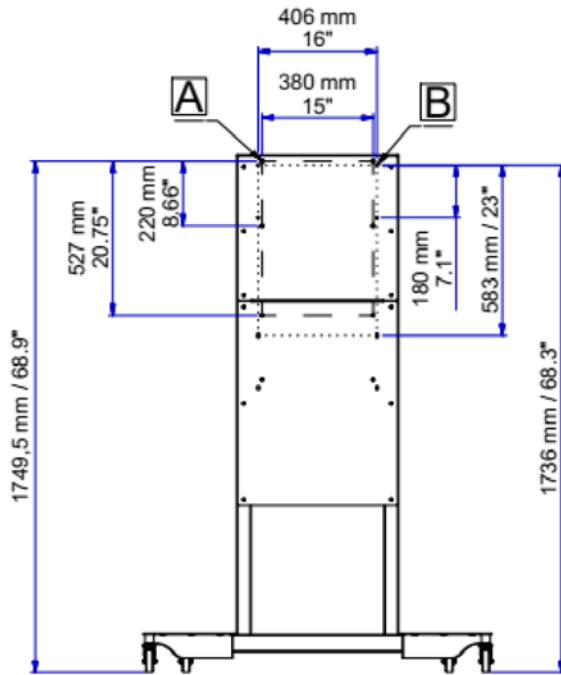


D-FLEX-CART with VESA adapter



DynamiQ™ Flex 400 Cart

The DynamiQ Flex 400 Cart offers two mounting positions for the height adjustable mount: standard position for adults or lower position for children. These options provide the flexibility to easily modify the cart to adjust for the intended user.



SPECIFICATIONS

Part Number	D-FLEX-CART D-FLEX400-40 D-FLEX400-70 D-FLEX400-90
Display Sizes	Up to 86"
Dimensions (HxWxD)	69.75 x 47 x 29.25 Inches (1772 x 1194 x 743 mm)
Vertical Adjustment	15.75"
Load Capacity	
D-FLEX-CART	275 lbs.
D-FLEX400-40	50.7 - 94.7 lbs.
D-FLEX400-70	90.4 - 154 lbs.
D-FLEX400-90	145.5 - 209 lbs.



Call 800.285.8315 or visit AVTEQ.net