

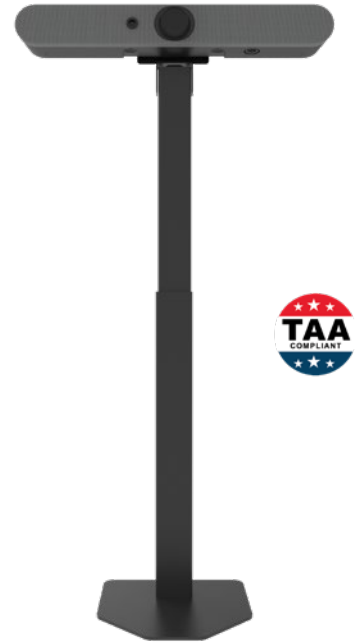
Camera Floor Stand

The Camera Floor Stand supports the leading PTZ cameras and select video bars including the Cisco Room series, Poly Studio series, Logitech MeetUp and more. The stand is adjustable from 25-42 inches and is perfect for classrooms, multi-use collaboration areas, and ad hoc spaces.

Its sturdy, free-standing design makes it easy to move to position the camera where needed, while offering infinite camera angle options. The stand's small footprint reduces tripping concerns compared to standard tripod stand and makes it easy to store the stand without having to remove the camera.

FEATURES

- Adjustable from 25-42 inches
- Black powder coat finish
- 100% solid steel construction
- TAA-compliant



Camera Floor Stand extended with Yealink A20 MeetingBar



Camera Floor Stand with Poly Eagle Eye IV camera, not extended

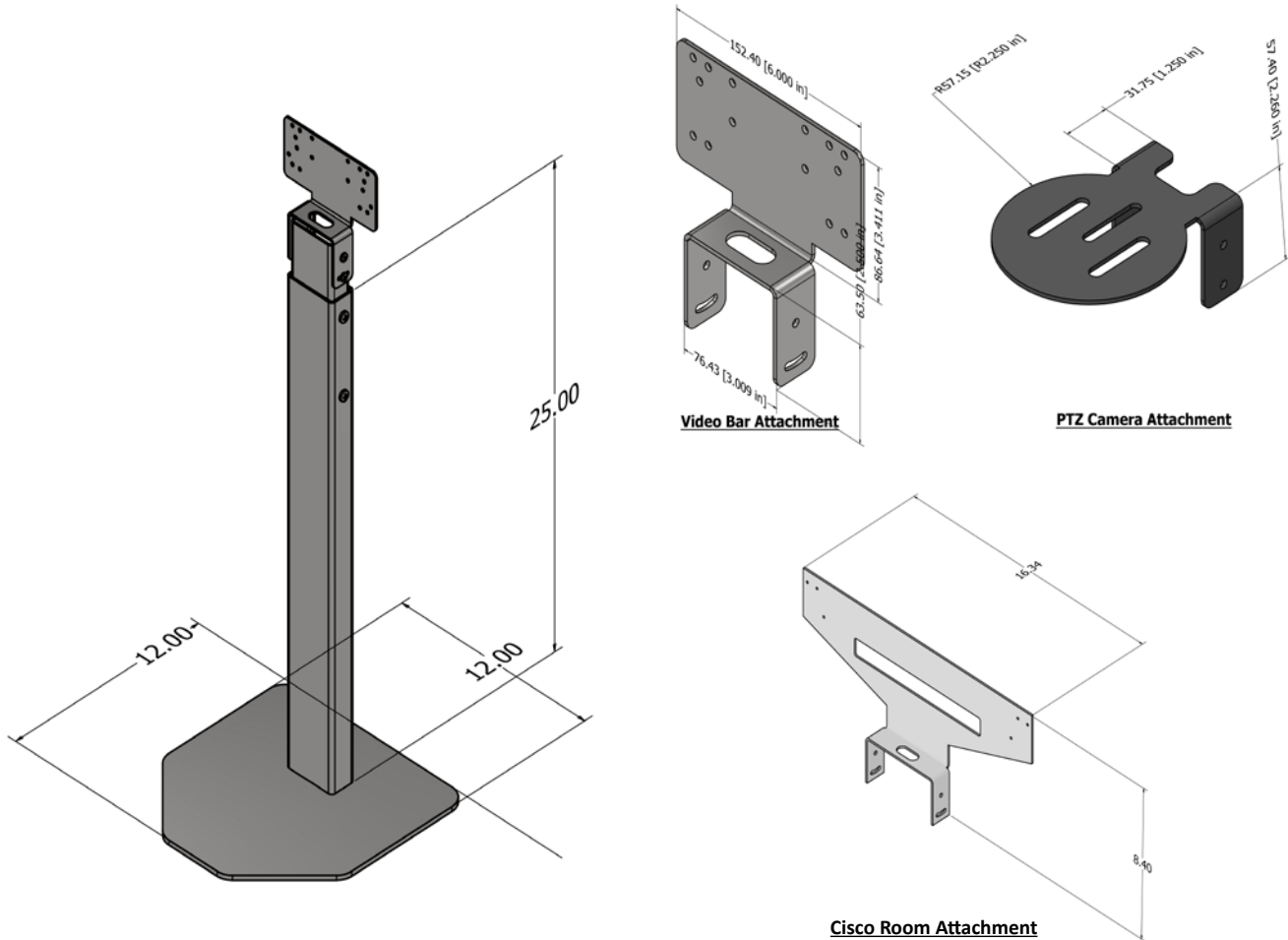


Camera Floor Stand back view with Yealink A30 MeetingBar camera, not extended



Camera Floor Stand extended with video bar attachment without camera

DIMENSIONS



SPECIFICATIONS

Part Number	CAMERA-STAND-CRK: For Cisco Room Kits CAMERA-STAND-VB: For Video Bars CAMERA-STAND-PTZ: For PTZ Cameras
Dimensions (HxWxD)	
Camera Stand	25 x 12 x 12 Inches (635 x 305 x 305 mm)
Camera Shelf	
CAMERA-STAND-CRK	16 x 8.4 x 1.3 Inches (406 x 213 x 33 mm)
CAMERA-STAND-VB	6 x 3 x 1.3 Inches (152 x 76 x 33 mm)
CAMERA-STAND-PTZ	2.6 x 2.5 x 1.3 Inches (66 x 64 x 33 mm)
Camera Compatibility	
CAMERA-STAND-CRK	Cisco Room Bar/Pro, Cisco Room Kit/Pro
CAMERA-STAND-VB	Poly Studio X50/X52/X70, Neat Bar/Pro, and Logitech MeetUp
CAMERA-STAND-PTZ	Any camera with a 1/4-20 screw on the bottom of the camera, including the Poly EagleEye Director, Poly Studio X30, Logitech PTZ, and other leading cameras.



Call 800.285.8315 or visit AVTEQ.net