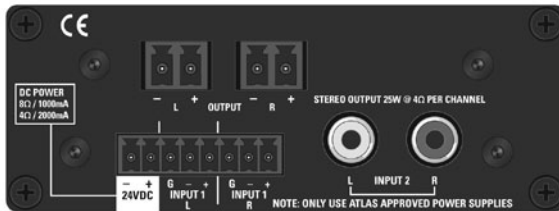




TSD-PA252G
2x25W Global Audio Amplifier



1601 Jack McKay Blvd. • Ennis, Texas 75119 U.S.A.
Telephone: 800.876.3333 • Fax: 800.765.3435



Description

The Atlas Sound TSD-PA252G is a reliable, cost-effective stereo amplifier perfectly suited for almost any general amplification requirement. The unit is especially suited for adding sound reinforcement to small projector systems as it provides ample power to drive up to four 8Ω loudspeakers in a classroom or boardroom application.

The TSD-PA252G features a balanced stereo phoenix style connector and unbalanced RCA input options with an output of 25W per channel at 4Ω. Front panel gain controls provide adjustment for both left/right or bridged outputs and these removable knobs can easily be replaced with the included tamper-resistant security covers.

The TSD-PA252G is part of a full line of Atlas Sound Time Saving Devices. These compact (1.5" x 4" x 5.2") units are designed to solve some of the common audio system problems in the easiest, most efficient, and cost-effective way. All models are made from high quality components and include removable individual I/O connectors for quick and precise wiring, separate ground terminals for all I/Os assuring secured connections, and removable level controls that can be replaced with tamper-resistant security covers. The TSDs are highly efficient and meet most energy standards as one 24V DC power supply (available separately) can power multiple Atlas Time Saving Devices.

Features

- 25W per Channel into 4Ω
- 12W per Channel into 8Ω
- Two (2) Balanced Inputs
- Dual RCA Inputs
- Removable Level Controls with Set-It-And-Forget-It Security Covers
- Peak Indicator per Channel
- Input Signal Indicator per Channel
- Cable Management System
- Multiple Mounting Configurations
- Separate Ground Connections
- Removable Phoenix Style I/O Connectors
- Meets Most Energy Standards
- Compact Chassis Design

Audio Applications

- Projector Amplifier
- Zone Amplifier
- Rear Channel Amplifier

Installation

- Courtroom
- Public Forums
- Churches
- Restaurants
- Schools
- Industrial Facilities
- House of Worship

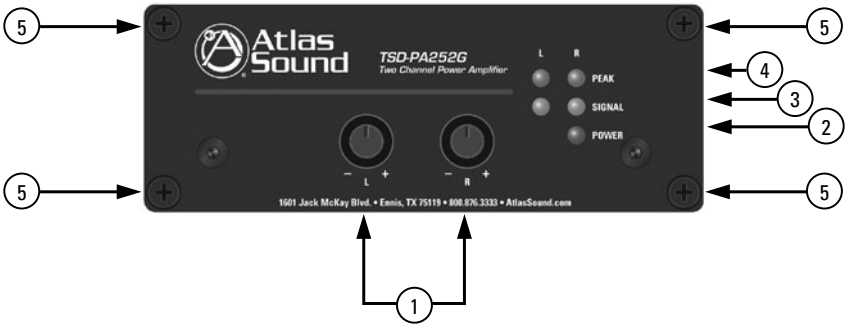


**Atlas
Sound**

1601 Jack McKay Blvd. • Ennis, Texas 75119 U.S.A.
Telephone: 800.876.3333 • Fax: 800.765.3435



Front Panel Description



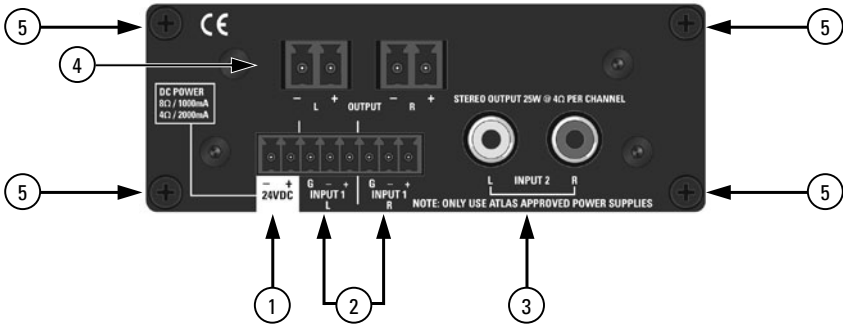
1. **Input Level Controls L & R** - Adjusts the gain of the source audio signal of both the left and right channels. Turn clockwise to increase the signal level and counter-clockwise to decrease the level. When in Bridge Mode, the Left Input control adjusts the audio level at the speakers. **Note:** The Input Level Control knobs can be removed and replaced with a supplied security cover to prevent unauthorized adjustment.
2. **Power LED** - Illuminates Blue when 24VDC power is present.
3. **Signal LED** - Illuminates Green when the input signal strength reaches 25mV to verify a signal path. There is an LED for each channel.
4. **Peak LED** - Illuminates Red when the input signal reaches 3dBV below when signal clipping will occur. Occasional flashing is normal but if this indicator is continuously On, then reduce the input level using the input level control on the front panel. There is an LED for each channel.
5. **Bracket Retainer Points** - Each TSD includes two mounting brackets for securing the TSD to a cabinet or wall. Remove screws and align the bracket with the panel hole before firmly tightening the screws.



1601 Jack McKay Blvd. • Ennis, Texas 75119 U.S.A.
Telephone: 800.876.3333 • Fax: 800.765.3435



Rear Panel Description



TSD Input/Output connections are removable for easy system wiring. The connectors have a 3.5mm pitch between pins.

- 1. DC Power Input** - Each TSD that requires DC power comes with a 2 position connector for an external 24VDC power supply (sold separately). Because of the TSDs low power consumption, a single external power supply may power more than one TSD. Please refer to the specifications on current requirements in milliamps to match with the appropriate power supply. Please observe the polarity of the wiring to this connector. **Note:** It is acceptable to exceed the current requirements of the TSDs but NOT safe to use a power supply that is below the current requirement of the device. When using an 8Ω speaker load, use a power supply with 1000mA capacity. For 4Ω speaker loads, use a power supply with at least 2000mA capacity (Atlas TSD-PS24V2500MA).
- 2. Balanced Line Inputs L & R** - Connect balanced line level signals to these left and right phoenix style connectors. Your connection must be mated properly to the input connector or signal loss and/or noise may occur. **Note:** Unbalanced line level inputs can also be used by connecting the (G) and (-) terminals together.
- 3. RCA Inputs L & R** - Unbalanced audio signals applied to these female RCA connectors are controlled from the front panel L & R control knobs.
- 4. Speaker Outputs L & R** - Connect the loudspeaker wiring to these terminals, observing the polarity shown on the rear of the chassis. When in stereo mode, a polarity reversal on one channel will cause poor bass response and low output levels. In Bridged Mode, connect the 8Ω speaker load across the left speaker output (+) terminal and the right (+) speaker output terminal. The Left speaker output terminal is positive (+) in Bridged configuration. **Note:** The Bridge Mode speaker wiring configuration differs from other Atlas Sound TSDs. Check each model's manual for specific wiring instructions.
- 5. Cable Management Retainer Points** - Use the rear panel screws for connecting the included cable retainers. Each TSD comes with two cable retainers for simplified cable management.



Atlas
Sound

1601 Jack McKay Blvd. • Ennis, Texas 75119 U.S.A.
Telephone: 800.876.3333 • Fax: 800.765.3435



Knob and Security Cover

All front panel level controls feature a removable knob that can be replaced with included security covers to prevent potentiometer damage or unwanted changes.

- **Knob Installation** - Turn the potentiometer shaft fully counter-clockwise. Align the knob indicator to the lowest setting on the panel and the potentiometer shaft slot. Carefully press the knob onto the potentiometer shaft. Do not force or damage may occur to the potentiometer.
- **Security Cover Installation** - Remove the knob from the panel and insert the cover. Do not force or damage may occur to the potentiometer. Small pliers may be required to remove the knobs.

Mounting

There are three ways to securely mount this TSD:

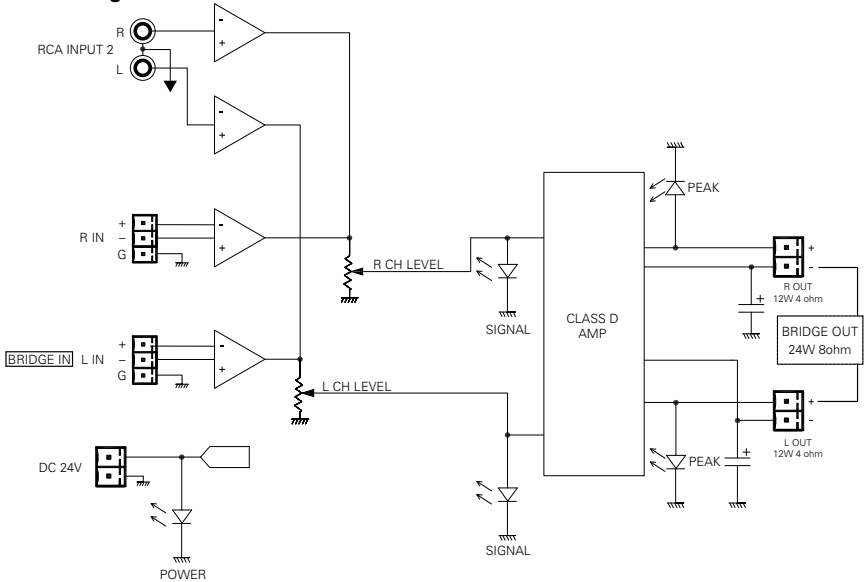
1. **Velcro™** - Each unit includes industrial-grade Velcro™ with adhesive backing to adhere to any flat surface.
2. **Brackets** - Each unit includes two mounting brackets to secure to a cabinet or wall.
3. **Rack Mount Panel** - The optional TSD-RMK rack mount panel supports up to four TSDs in a 1RU space.



1601 Jack McKay Blvd. • Ennis, Texas 75119 U.S.A.
Telephone: 800.876.3333 • Fax: 800.765.3435



Block Diagram



Specifications

Description Two Channel Amplifier
 Load Rating 8Ω - 12W x 2 CH
 4Ω - 25W x 2 CH

Chassis Color Black
 Chassis Material Aluminum

Inputs

Type Qty 2, Unbalanced
 Connection RCA Left and Right
 Impedance 10KΩ
 Input Level 316mV (-10dBV)

Type Qty 2, Balanced Line
 Connection Removable 3 Position Captive Screw 3.5mm Spacing
 Impedance 10KΩ Balanced, 5KΩ Unbalanced
 Line Input Level 500mV (-6dB) Balanced

Outputs

Type Qty 2, Speaker Output
 Connection Removable 2 Position Captive Screw 5mm Spacing
 Wire Size 14 Gauge Max





Controls

Level Control Qty 2, Removable Knob with Security Cover

Indicators

Input Signal Green, 25mV On Threshold, Qty 2

Peak Red, -3dB Before Clip, Qty 2

Power Blue

Electrical

Frequency Response 20Hz - 20kHz (± 3 dB)

THD 0.2% @ 1kHz

Signal to Noise 80dBV

Mounting

Velcro™ Industrial-Grade, Included

Brackets Qty 2, Included

TSD-RMK Optional 1 RU Rack Mount Panel (Supports 4 TSD Units)

Cable Retainer Qty 2, Included

Power Requirements

Note: All Current and Watt data is based on AC power consumption using the TSD-PS24V2500mA Power Supply. Average Power is Based On 50% Duty Cycle

	8 Ω	4 Ω
Voltage	24VDC 1000mA	24VDC 2000mA
Idle Current	70mA	70mA
Idle VA Watts	4.3W	4.3W
Average Current	160mA	300mA
Average VA Watts	18W	36W
Max Current	490mA	950mA
Max VA Watts	36W	72W
Dimensions	H 1.5" (39mm) x W 4" (101mm) x D 5.2" (132mm)	
Weight	13.4oz, .3kg	

Accessories

TSD 24VDC Power Supplies

TSD-RMK 1 RU Rack Panel

Safety and Certifications

External Power Supply cUL, CE, RoHS, TUV



1601 Jack McKay Blvd. • Ennis, Texas 75119 U.S.A.
Telephone: 800.876.3333 • Fax: 800.765.3435



Limited Warranty

All products manufactured by Atlas Sound are warranted to the original dealer/installer, industrial or commercial purchaser to be free from defects in material and workmanship and to be in compliance with our published specifications, if any. This warranty shall extend from the date of purchase for a period of three years on all Atlas Sound products, including SOUNDOLIER brand, and ATLAS SOUND brand products except as follows: one year on electronics and control systems; one year on replacement parts; and one year on Musician Series stands and related accessories. Additionally, fuses and lamps carry no warranty. Atlas Sound will solely at its discretion, replace at no charge or repair free of charge defective parts or products when the product has been applied and used in accordance with our published operation and installation instructions. We will not be responsible for defects caused by improper storage, misuse (including failure to provide reasonable and necessary maintenance), accident, abnormal atmospheres, water immersion, lightning discharge, or malfunctions when products have been modified or operated in excess of rated power, altered, serviced or installed in other than a workman like manner. The original sales invoice should be retained as evidence of purchase under the terms of this warranty. All warranty returns must comply with our returns policy set forth below. When products returned to Atlas Sound do not qualify for repair or replacement under our warranty, repairs may be performed at prevailing costs for material and labor unless there is included with the returned product(s) a written request for an estimate of repair costs before any nonwarranty work is performed. In the event of replacement or upon completion of repairs, return shipment will be made with the transportation charges collect.

EXCEPT TO THE EXTENT THAT APPLICABLE LAW PREVENTS THE LIMITATION OF CONSEQUENTIAL DAMAGES FOR PERSONAL INJURY, ATLAS SOUND SHALL NOT BE LIABLE IN TORT OR CONTRACT FOR ANY DIRECT, CONSEQUENTIAL OR INCIDENTAL LOSS OR DAMAGE ARISING OUT OF THE INSTALLATION, USE OR INABILITY TO USE THE PRODUCTS. THE ABOVE WARRANTY IS IN LIEU OF ALL OTHER WARRANTIES INCLUDING BUT NOT LIMITED TO WARRANTIES OF MERCHANTABILITY AND FITNESS FOR A PARTICULAR PURPOSE.

Atlas Sound does not assume, or does it authorize any other person to assume or extend on its behalf, any other warranty, obligation, or liability. This warranty gives you specific legal rights and you may have other rights which vary from state to state.

Service

Should your Atlas TSD require service, please contact the Atlas Sound warranty department at 1-877-689-8055, ext. 1274 to obtain an RA number.

Atlas Sound Tech Support can be reached at 1-800-876-3333.

Visit our website at www.AtlasSound.com to see other Atlas products

©2011 Atlas Sound L.P. All rights reserved. Atlas Sound is a trademark of Atlas Sound L.P.
All other trademarks are the property of their respective owners. AT5004047 RevB 1/12



1601 Jack McKay Blvd. • Ennis, Texas 75119 U.S.A.
Telephone: 800.876.3333 • Fax: 800.765.3435