



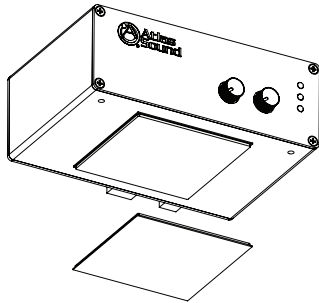
# Atlas Time Saving Devices

## Accessory Guide

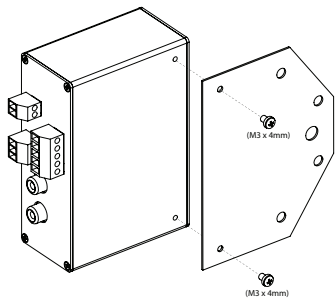
### Mounting Accessories

Listed below are the various ways to mount the TSD and the optional accessories that can be purchased.

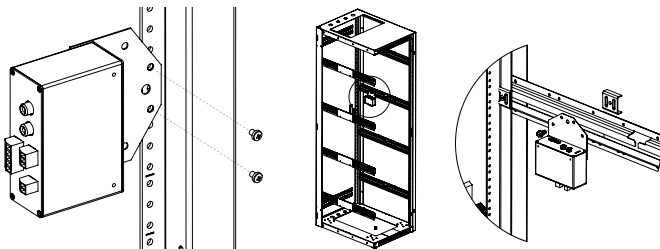
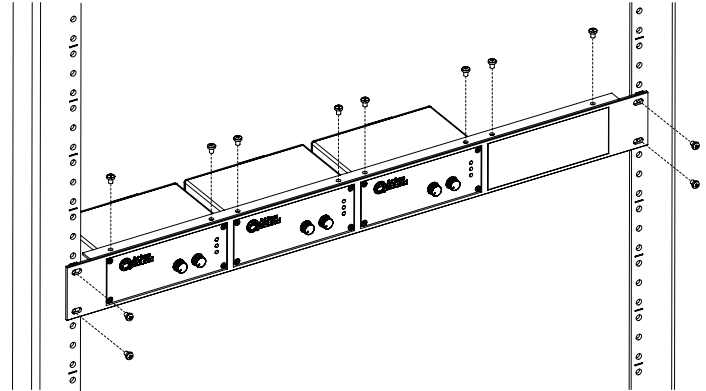
1. **Velcro™** - Each unit includes two 2" x 2" pieces of industrial-grade Velcro™ with adhesive backing to adhere to any flat surface. Clean all surfaces before applying the adhesive side of the Velcro™.



2. **Multi Mount Plate** - Each TSD includes a versatile multi-position mounting plate. This plate allows the TSD to be mounted to any surface; but is ideal for use with rear rack rails or side rack hat channels. Use the included M3 x 4mm screws to install the plate on the TSD. **Note:** Only use the included M3 x 4mm screws as other screws may be too long and will cause internal damage to the TSD. The multi-position mounting plate is a new addition being included with TSDs. If the TSD being used did not include the mounting plate, contact Atlas customer service at 1-800-876-3333.



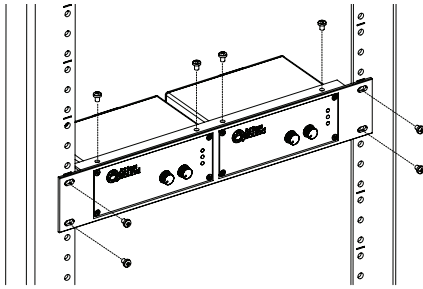
3. **TSD-RMK Optional 19" Width Rack Mount Kit** - For 19" rack mounting, Atlas Sound offers an optional rack mount kit, the TSD-RMK. This rack mount kit can support up to four TSD units. The kit includes three blank panels designed to fill any unused slots. Use the included hardware to mount the TSD into the rack mount kit using the top mount screw holes on the TSD.



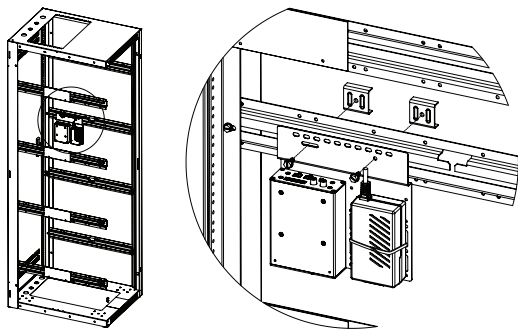
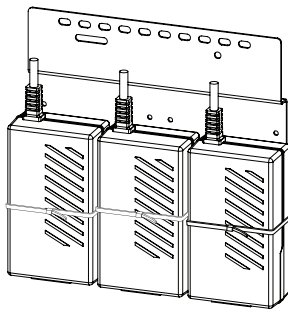
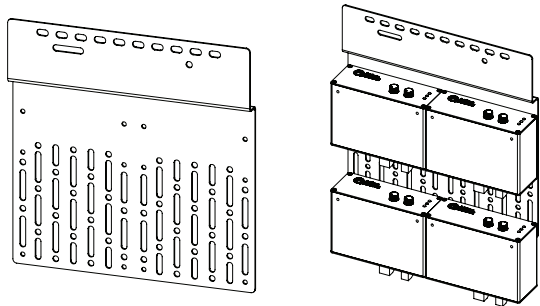
©2014 Atlas Sound L.P. All rights reserved. Atlas Sound is a trademark of Atlas Sound L.P. All other trademarks are the property of their respective owners. ATS004730 RevB 12/14

## Mounting Accessories

4. **TSD-RMKHR Optional Half Width Rack Mount Kit** - Atlas Sound offers an optional rack mount kit that can be used in half width rack applications including the Atlas Sound WMA-HR and AWR-HR models. The TSD-RMKHR can support up to two TSDs. Included is an extra blank panel to fill one of the spaces if only one TSD is being used.



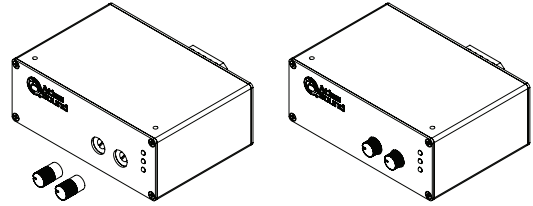
5. **TSD-RRMK Optional Rear Rack Mounting Kit** - For complete flexibility in mounting a TSD or TSD external power supplies the optional TSD-RRMK is available. The TSD-RRMK can support mounting of either two larger TSDs with external power supplies or up to 4 TSD models. **Note:** Only use the included M3 x 4mm screws as other screws may be too long and will cause internal damage to the TSD.



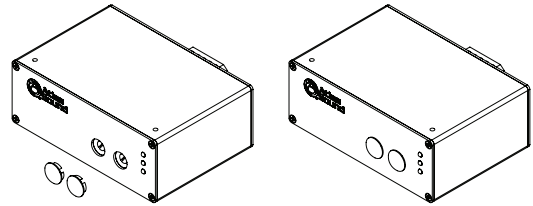
## Knob and Security Cover Accessories

All front panel level controls feature a removable knob that can be replaced with an included security cover. Follow these steps to prevent potentiometer damage or unwanted changes.

1. **Knob Installation** - Turn the potentiometer shaft fully counter-clockwise. Align the knob indicator to the lowest setting on the panel and the potentiometer shaft slot. Carefully press the knob onto the potentiometer shaft. Do not force or damage may occur to the potentiometer.



2. **Security Cover Installation** - Remove the knob from the panel and insert the cover. Small pliers may be required to remove the knobs. Align the security cover to the level control panel hole. Push the cover into the hole until it snaps into place. Do not force or damage may occur to the potentiometer.



## Cable Management Accessories

All TSD models feature a simple but effective cable management system. Each TSD is shipped with two cable wrap ties. Remove one of the screws on the rear of the TSD run the screw thru the cable wrap tie head and resecure the screw. Wrap the tie around the cables.

