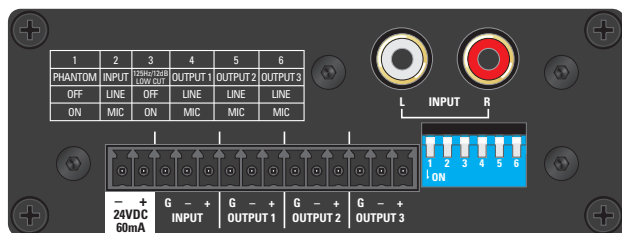
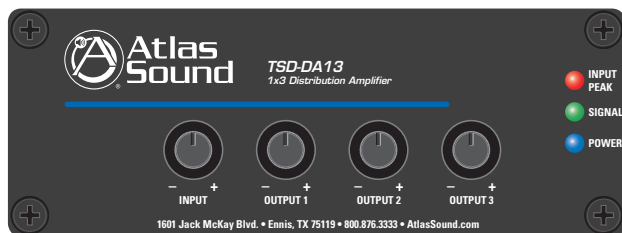




TSD-DA13

1 x 3 Distribution Amplifier



TSD-DA13

Atlas Time Saving Devices

New Atlas Sound Time Saving Devices are designed to solve some of the common audio system problems in the easiest and in the most efficient and cost-effective way. Utilizing the highest quality components and inspired by real world installation issues, the Atlas Sound TSDs include mixers, amplifiers, preamps, and other distribution and control devices to simplify your connections, provide specific application needs, and add flexibility in expansion and changes that prevent expensive system overhauls.

The Time Saving Devices are loaded with features making it versatile and user friendly. The TSD design mandate was to make the installation quick and reliable, saving you valuable time and money. Each model is housed in a compact 1.5" x 4" x 2.75" footprint that allows for placement almost anywhere. Common features include removable individual I/O connectors for quick and precise wiring, separate ground terminals for all I/Os assuring secured connections, and removable level controls that can be replaced with a tamper-resistant security cover.

Description

The Atlas Sound TSD-DA13 1x3 distribution amplifier is designed to provide clean, isolated signal distribution locally or to remote locations. The unit allows a balanced mic or line level source to be distributed to three isolated variable outputs making it a perfect solution for applications including convention centers, houses of worship, restaurants/sports bars and industrial facilities.

A high quality, low noise mic pre-amp, defeatable 3dB low cut filter @ 125Hz and dual summing RCA line level inputs are included as part of the unit's input section. These features combined with the 3 mic / line level outputs allow for multiple configuration.

Isolation between outputs prevents crosstalk, removes miss matched input impedance concerns and allows for adjustable levels on each connected device.

All I/O (except the summing RCA inputs) is via Phoenix style connectors for installation convenience.

The TSD-DA13 is highly efficient and meets Energy Star™ standards as one 24V DC power supply (available separately) can power multiple Atlas Time Saving Devices.

Installation

- Churches
- Restaurants
- Sports Bars
- Schools
- Industrial Facilities

Features

- One (1) Balanced Mic/Line Input with Switchable 24V Phantom Power
- High Gain (50dB), Low Noise Mic Preamp
- Summed Dual RCA Input
- Three (3) Isolated Balanced Mic/Line Outputs
- 12dB/Octave Low Cut Filter @ 125Hz
- Input Peak and Signal Indicator LEDs
- High Gain Output for Driving Long Balanced Lines
- Removable Phoenix Style I/O Connectors
- Separate Ground Connections
- Meets Energy Star™ Standards
- Compact Chassis Design

Audio Applications

- Mic Preamp
- Line Preamp
- Stereo Summing Preamp
- Line Drive
- Zone Divider

©2011 Atlas Sound L.P. All rights reserved. Atlas Sound is a trademark of Atlas Sound L.P. All other trademarks are the property of their respective owners.

Specifications

Description	1 x 3 Mic/Line Distribution Amplifier
Chassis Color	Black
Chassis Material	Aluminum
Inputs	
Type	Qty 1, Unbalanced
Connection	RCA Left and Right Actively Summed
Impedance	10K Ω
Input Level	316mV (-10dBV) = 2V (+6dBV) Balanced Output, Maximum Input 6V (15dBV)
Type	Qty 1, Balanced Mic or Line Selectable
Connection	Removable 3 Position Captive Screw 3.5mm Spacing
Impedance	1.2K Ω Balanced, 600 Ω Unbalanced
Phantom	24VDC Defeatable
Low Cut Filter	125Hz/12dB Defeatable
Line Input Level	1V (0dBV) Balanced = 2V (+6dBV) Balanced Output, Maximum Input 6V (15dBV)
Mic Input Level	46dB Gain 10mV (-40dBV) Balanced = 2V (+6dBV) Balanced Output, Maximum Input 40mV (-27dBV)
Outputs	
Type	Qty 3, Balanced Mic or Line Selectable
Connection	Removable 3 Position Captive Screw 3.5mm Spacing
Impedance	300 Ω Balanced, 150 Ω Unbalanced
Line Output Level	1V (0dBV) In = 2V (+6dBV) Balanced, Maximum Output 6V (15dBV)
Mic Input vs Mic Output Level	10mV (-40dBV) In = 80mV (-21dBV), Maximum Output 300mV (-10dBV)
Controls	
Input Level Control	Qty 1, Removable Knob with Security Cover
Output Level Control	Qty 3, Removable Knobs with Security Covers
Dip Switch Function	<ul style="list-style-type: none">• Phantom Power 24VDC• Input Mic/Line Select• Input 125Hz/12dB High Pass Filter• Output Qty 3, Mic/Line Select
Indicators	
Input Signal	Green, 25mV On Threshold
Input Peak	Red, -3dB Before Clip
Power	Blue
Electrical	
Frequency Response	20Hz - 20kHz (\pm 1dB)
THD	.06% & 1kHz
Signal to Noise	Line to Line: 85dBV Mic to Line: 78dBV Line to Mic: 55dBV Mic to Mic: 55dBV
Mounting	
Velcro	Industrial-Grade, Included
Brackets	Qty 2, Included
TSD-RMK	Optional 1 RU Rack Mount Panel (Supports 4 TSD Units)
Cable Retainer	Qty 2, Included
Power Requirements	
Voltage	24VDC
Power Consumption	60mA
Power Consumption	1.4W

Dimensions H 1.5" (39mm) x W 4" (101mm) x D 2.75" (70mm)

Weight 6oz, .165kg

Accessories

TSD 24VDC Power Supplies

TSD-RMK 1 RU Rack Panel

Safety and Certifications

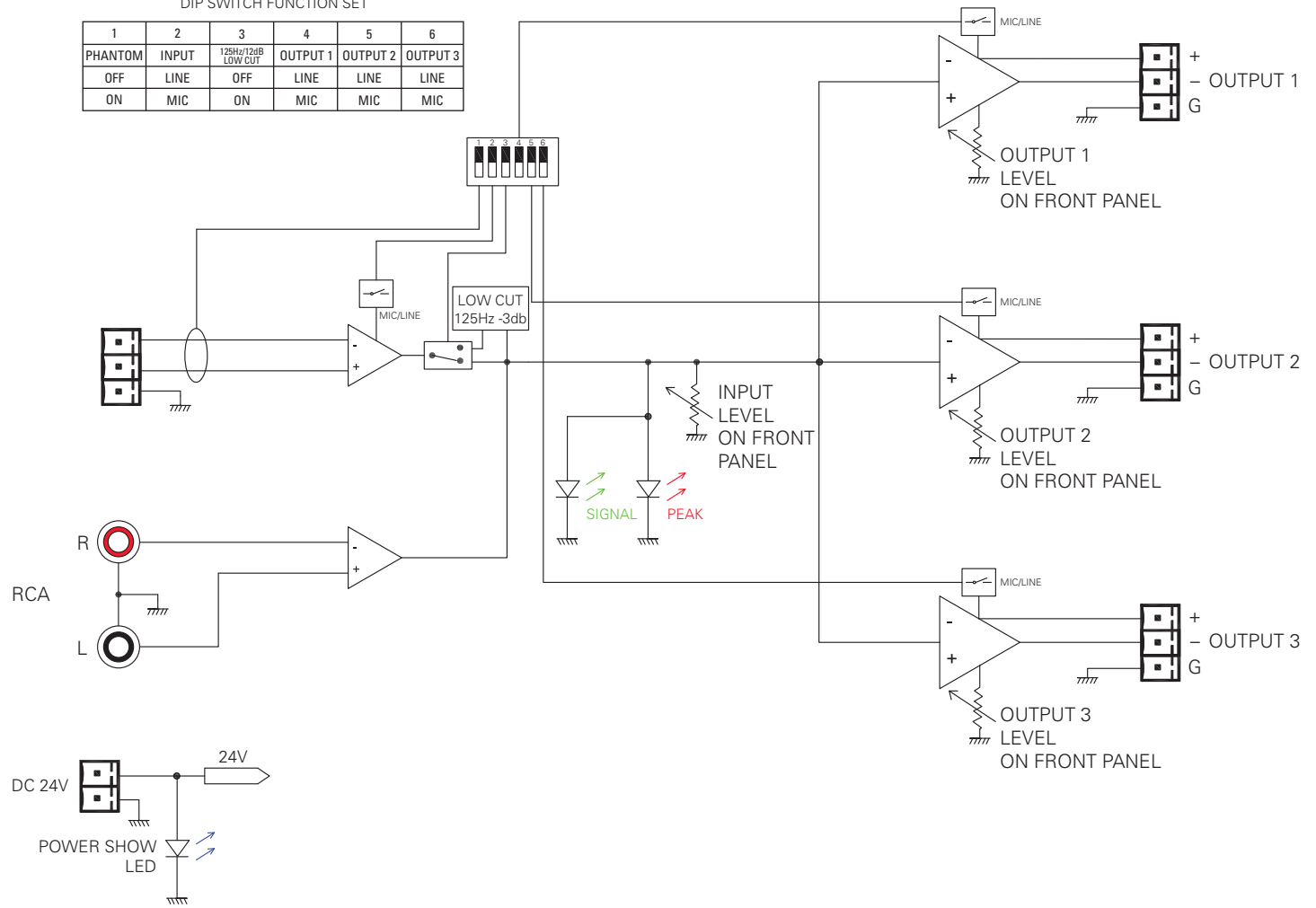
External Power Supply

cUL, CE, RoHS, TUV

Block Diagram

DIP SWITCH FUNCTION SET

1	2	3	4	5	6
PHANTOM	INPUT	125Hz/12dB LOW CUT	OUTPUT 1	OUTPUT 2	OUTPUT 3
OFF	LINE	OFF	LINE	LINE	LINE
ON	MIC	ON	MIC	MIC	MIC



©2011 Atlas Sound L.P. All rights reserved. Atlas Sound is a trademark of Atlas Sound L.P. All other trademarks are the property of their respective owners.