

PORTABLE AIR CONDITIONER



Arctic 
 Wind

■ MODEL

AP8018 AP10018
AP12018

Foreword

Portable Air conditioners are pieces of high value. In order to ensure your lawful rights and interests, please have the professional technicians to do the installation for you.

This Instruction Manual is the universal-purpose version for the models of portable air conditioners manufactured by our Co. The appearance of the units that you purchase might be slightly different from the ones described in the Manual, but it does not affect your proper operations and usage.

Please read carefully the sections corresponding to the specific model you choose, and keep the Manual properly so as to facilitate your reference at later time.

Attention:

- (1) The appliance is not intended for use by young children or infirm persons without supervision.
- (2) Young children should be supervised to ensure that they do not play with the appliance.
- (3) The plug shall be accessible after install the appliance.
- (4) The appliance shall be installed in accordance with national wiring regulation.
- (5) The appliance can't be install in laundry.
- (6) If the supply cord is damaged, it must be replaced by the manufacturer or its service agent or a similiary qualified person in order to avoid a hazard.
- (7) Please wait three minutes before restarting when the power is broken.
- (8) To be in compliance with the requirement of EN 61000-3-11:2000, the EUT shall be connected only to a supply of the system impedance: $Z_{sys} = 0.468$ or less.
- (9) The minimum clearance from the appliance to combustibile surface: 1m



WARNING

This symbols refers to a hazard or unsafe practice which can result in severe personal injury or death.



CAUTION

This symbols refers to a hazard or unsafe practice which can result in personal injury or product or property damage.

Contents

Instructions	1
The names of each part and its function	2
Use of control panel	3
Use of remote controller	4
Water drainage methods	6
Maintenance/service	7
Safety cautions	9
Troubleshooting	10
Installation	11

INTRODUCTION

PORTABLE AIR CONDITIONER

This Portable Air Conditioner is a small size appliance, which can adjust the temperature and humidity in a room. Its flexibility characteristics make it easily used on different occasions in different rooms. It also has multiple functions, including cooling, dehumidifying and fanning ventilation. This unit was designed especially to be used in a family house, office, etc. It has a compact design compared to others with the same cooling capacity.

Other air conditioning patterns are recommended when the ambient temperature is either below 18°C(65°F) or above 35°C(95°F).

ATTENTION

Before you use your PORTABLE AIR CONDITIONER, please read this instruction manual carefully so that you get the best from the unit.

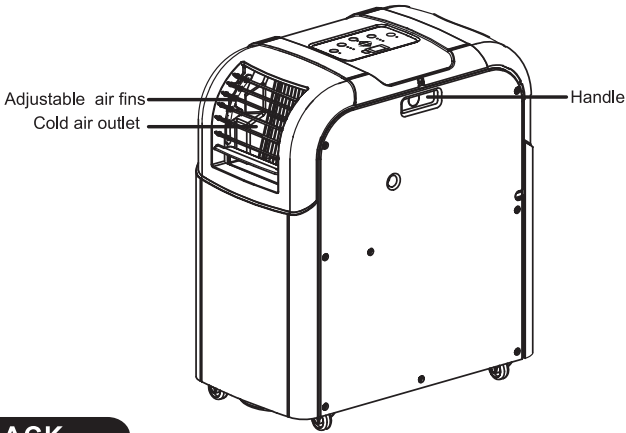
This instruction manual is used for guidance and does not form part of a contract. We reserve the right to make technical changes without prior notice.



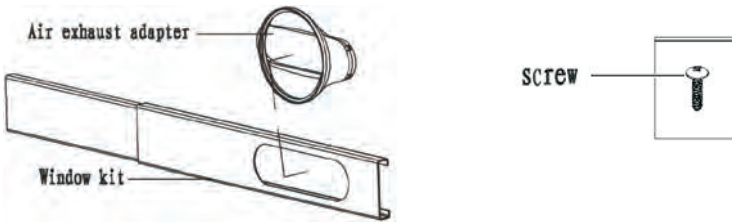
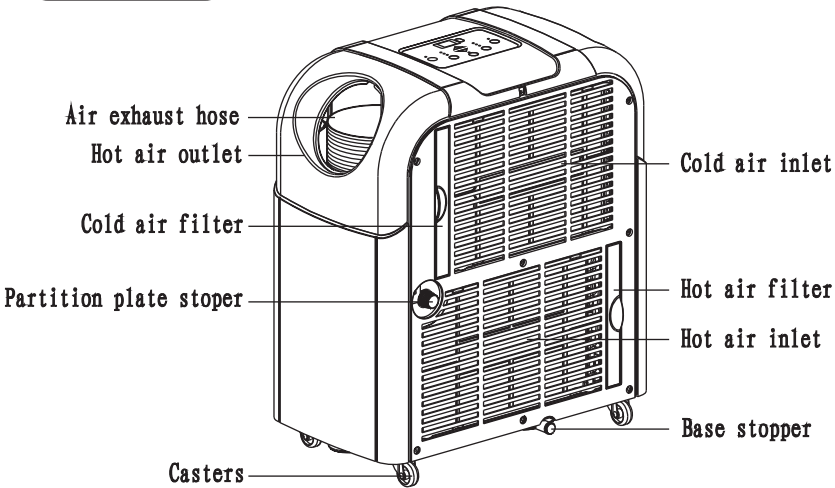
There might be some water saved on bottom base, please push the air conditioner gently and cautiously, preventing water splashing out.

THE NAME OF EACH PART

FRONT



BACK

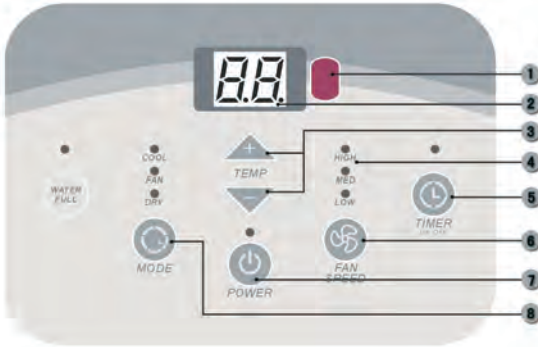


Note: There are many models, features and appearance will vary, all the figures provide a demonstration to introduce the function.

USE OF CONTROL PANEL

CONTROL PANEL

Note: The layout and functions of various models of operation panels may differ from each other, please read the following for your reference, and refer to using.



1 REMOTE CONTROLLER SIGNAL RECEIVER

2 DIGITAL DISPLAYER

In usual operation, In FAN mode, It indicates room temperature; in COOL or DRY mode, It indicates setting temperature; In timer operation, when pressing the timer button, it indicates timer time, if the time has not been adjusted after 5 seconds, it indicates temperature again; If ROOM TEMP SENSOR failure, It indicates temperature at 25 °C (77 °F).

3 TEMP button

In usual, press this button to adjust setting temperature within a range of 17 °C (63 °F) to 31 °C (88 °F). In timer time setting state (press timer button to enter and the number of digital displayer will be flashing), press + or - button to set the timer time within 1-12 hours.

4 UNIT INDICATION button

When selected the corresponding operation mode or fan speed, or the water full, the light will be on.

5 TIMER button

If unit is running, Press this button will enter enter timed Switch-OFF mode; If unit is off (in standby mode), Press this button will enter timed Switch-ON mode. Press this button again will cancel the timer operation. Used together with + or - button to set the timer time.

6 FAN SPEED button

Press this button to set air rate you want: HIGH, MED, LOW.

7 POWER button

To turn the air conditioner ON, press the button and the power indicator will light.

To turn the air conditioner OFF, press the button again.

8 MODE button

Press this button, it advances the operation mode as follows: COOL-DRY-FAN-HEAT (heating for cooling and heating model).

POWER SOURCE



Before you insert the plug, please make sure the air conditioner is turned off.

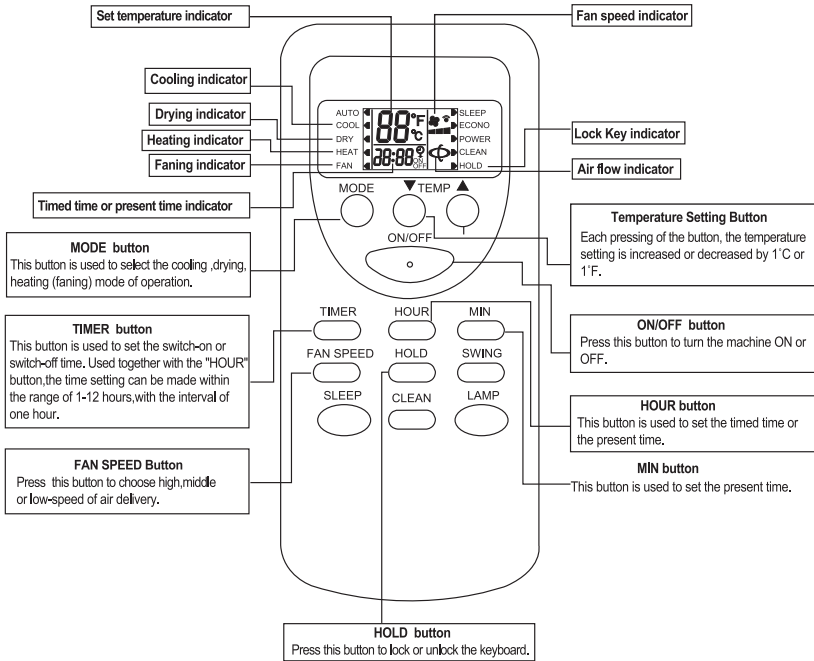
- The AC socket must be firm and reliable.
- Don't connect the portable air conditioner to a multiple socket outlet which is also being used for other electrical appliances.

USE OF REMOTE CONTROLLER

REMOTE CONTROLLER

NOTE:1. Only some model air conditioners are supplied with a remote controller.

2. The following remote controller is the general one of our company, it can be used for many types of our air-conditioners. We beg your forgiveness that we would not introduce the button or indicator which is not applicable for the units you purchased.



- Above figure shows all indications for the purpose of explanation, but practically only the pertinent.
- SWING: This null and void by button.

USE OF REMOTE CONTROLLER

PRESENT TIME SETTING PROCEDURE

When cells are inserted, under the timer operation has not been set, do it as following procedure, EX: set to AM:10:30.

1	Continually press the HOUR button about 2 seconds. The time indicator is flickering and can set the HOUR time.
2	Press the HOUR button. (Set to AM 10:)
3	Press the MIN button. (Set to 30)
4	Press the ON/OFF button to confirm the set time or it would automatically exit the time setting state after 15 seconds.

METHOD OF TRANSMISSION

- Point the remote controller at the air conditioner and press the button on the controller. The instruction signal will be transmitted to the air conditioner.
- Upon receiving the signal from the remote controller, the air conditioner unit will utter a "dee-" sound for acknowledgment.

POINTS OF ATTENTION IN USING THE REMOTE CONTROLLER

- Do not place the controller near something with high temperature like an electric heating bed cushion or a heating radiator;
- Do not place the controller at places directly exposed to the sunlight or strong lights;
- Avoid accidental dropping of the controller, which might cause damage to it;
- Do not place blocking objects between the air conditioner and the controller;
- Do not splash water or other liquids to the controller;
- Do not put heavy objects on the controller;
- If the remote controller is not functioning, replace the batteries and try once again.

REPLACEMENT OF BATTERIES

When the signal is transmitted but the air conditioner does not give an acknowledgment sound. It means the batteries are exhausted and need replacements.

1. Remove the battery case cover and take the used batteries out by sliding the cover open in the arrow direction.
2. Replace with new batteries and pay attention to the "+" and "-" marks of pole indications.
3. Close the back cover.

NOTE: The timer is set on the basis of the present time. So set the present time correctly.

WATER DRAINAGE METHODS

Water Drainage:

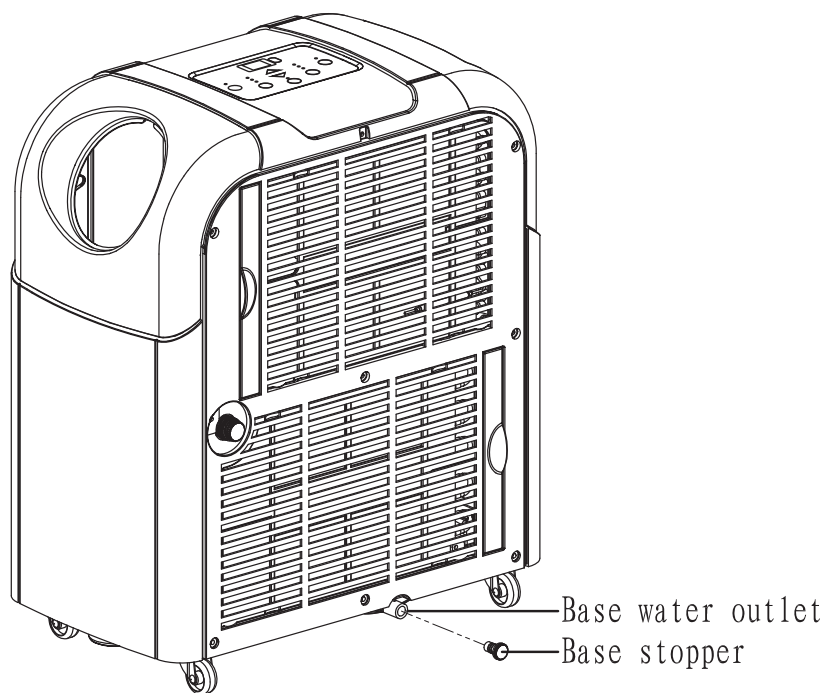
The air conditioner evaporates condensed water and discharges the moisture through the hot air outlet.

But in some cases it is possible that the unit is not 100% to condensate water evaporation, then the internal water tank is full, the FULL lamp will illuminate and unit will stop running.

Follow the steps to drain water

- Unplug the air conditioner, disconnect the exhaust hose from the back, and move the conditioner to a suitable drain location or outdoors.
- Remove the base stopper from the base water outlet to drain water.
- Once the internal water tank is drain, reinstall the base stopper, make sure it is on securely.
- Place the air conditioner in the desired location, reconnect the exhaust hose, and plug in the air conditioner. The unit will operate normally.

NOTE: When the "FULL" indicator illuminates, there is approximately 1.5L water in the water

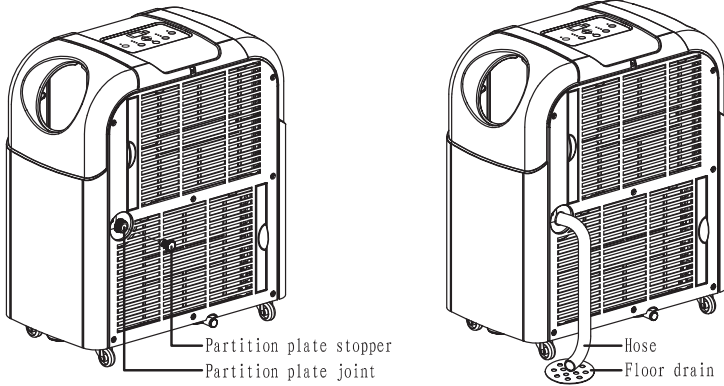


MAINTENANCE/SERVICE

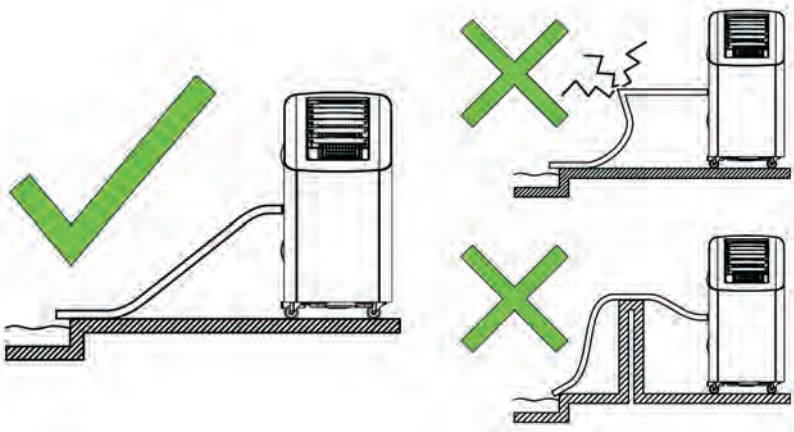
Continuous Drainage

In the high humidity environment, if possible the user can adopt continuous drainage ways to reduce the number of pouring water. Condensate is discharged by gravity through a hose (no provided). Of course, the method will reduce the efficiency of the machine.

- a) Pull out the partition plate stopper.
- b) Connecting the hose to partition plate joint and lead it to the floor drain, or a suitable area for draining the condensate.



When using the continuous drainage function, the hose must be placed horizontally below the drainage hole. Avoid folding the hose or placing it on an uneven surface.



MAINTENANCE/SERVICE



WARNING

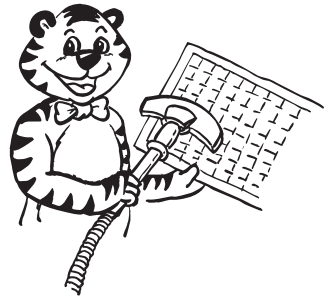
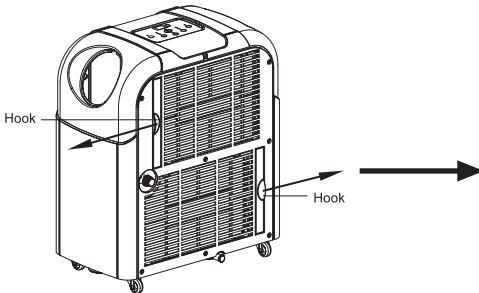
- Pull the plug out of the socket before cleaning.
- Make sure there is no power to the unit before beginning to maintain or repair, prevent accident caused by elec. shock.

CLEANING OF AIR FILTER

If the air filter is blocked with a lot of dust, the air flow volume will reduce. Clean the filter once every two weeks.

Open and clean the air filter

1. Directly grasp the hook on the bottom to remove the air filters with the direction of the arrow.
2. Wash the air filters by immersing it gently into warm (about 40°C or 104°F) water with a neutral detergent.
3. Rinse the filter of detergent and dry it thoroughly in a shaded place.
4. Install the air filter back to its original place.



CLEANING OF AIR CONDITIONER

Clean the surface of the unit with a damp cloth, then dry using a duster or similar.



CAUTION

Do not use chemical solvent (like benzene, alcohol glazer) to clean the surface of the unit. If you do so, the surface will be scratched, damaged, even the whole casing could become deformed.

PRIOR TO OPERATION SEASONS

1. Check to see if the air inlets and outlets of the unit are blocked.
2. Check to see if the partition plate stopper and the base stopper are installed accurately.
3. Make sure that air filter is properly in place before operating the machine. If the machine is operated with air filter removed, dust and foreign objects will result in faulty performance of the air conditioner.

MAINTENANCE/SERVICE

AFTER THE OPERATIONAL SEASONS

1. Turn off the air conditioner, disconnect the power source.
2. Make proper maintenance to the air filter and other parts.
3. Open the partition plate stopper and the base stopper to drain out the low water of the partition plate and the base, then operate the unit in fan mode for half an hour to make sure the partition plate and the base is dry.
4. Please use a plastic sheet to cover the unit to prevent dust or filth from entering the unit.

SAFETY CAUTIONS

OCCASION



- Do not use the unit in a very narrow room with obstacle so as to avoid breakdown.
- Do not use the unit where the sunlight is shining directly onto it so as to avoid surface colour changing.
- Do not use the unit in water or near water, avoiding leakage of electricity.
- Do not use near gas appliances, fires or in the vicinity of flammable liquids.

POWER SOURCES



- Do not use a damaged or improper AC socket.
- When unplugging the unit, hold the power plug securely and pull it out carefully.
- Do not use extension cord.

OTHERS

- Keep the unit one meter away from TV sets or radios to avoid the risk of electromagnetic interference.
- Do not use with the air outlet close to walls or cover the outlet to avoid overheating.

SERIOUS CAUTION



- Do not toggle over or incline, If the unit does toggle please unplug at once and seek advice from your reseller.
- Do not spray with insecticide or other chemicals as the plastic case may be deformed.

TROUBLESHOOTING

Before seeking repair or service, please firstly check the following.

Trouble	Check	Action
Air conditioner does not operate at all	<ul style="list-style-type: none"> ● Is there power? ● Is it plugged in? ● Did the fuse or circuit breaker switch off? ● The full lamp illuminates. 	<ul style="list-style-type: none"> ● It is normal ● Push the plug into the wall socket ● Change the fuse or switch on ● Discharge the condensed water from the base water outlet
Cooling efficiency is not good	<ul style="list-style-type: none"> ● Is air inlet or outlet Blocked? ● Is there any other heat source in room? ● Are air filters very dirty? ● Is indoor fan speed set at low? 	<ul style="list-style-type: none"> ● Clear the Blocked ● Move the heat source ● Clean the air filter ● Set suitable fan speed
Too noise and vibration	<ul style="list-style-type: none"> ● It is the inner liquid (refrigerant-geration) flowing inside. ● Is unit leveled? 	<ul style="list-style-type: none"> ● It is normal ● Place it in a horizontal floor
The machine starts and stops frequently	<ul style="list-style-type: none"> ● Is the voltage of the power source normal? ● Is the air exhaust fixed rightly or be bended? ● Are you add air exhaust yourself? 	<ul style="list-style-type: none"> ● Keep the power source in rated ● Try to keep the air exhaust horizontal not permit enlarge ● Don't add air exhaust yourself and remove it
Condensed water spills out when moving the unit	<ul style="list-style-type: none"> ● the base tank is nearly full? 	<ul style="list-style-type: none"> ● DIscharge the condens- ed water from the base water outlet



WARNING

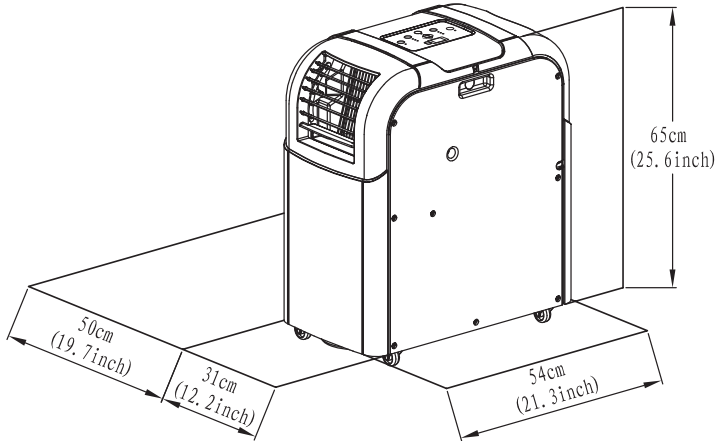
In case of major malfunction pull plug out immediately and call for service.

- The fuse and switch often break.
- The power cord superheat or the sleeve of the cord broken.
- Something abnormal.

INSTALLATION

Selection of installation location

Put the mobile air conditioner in a flat location where the air outlets cannot be covered up, place the unit no less than 50cm away from a wall or other obstacle.

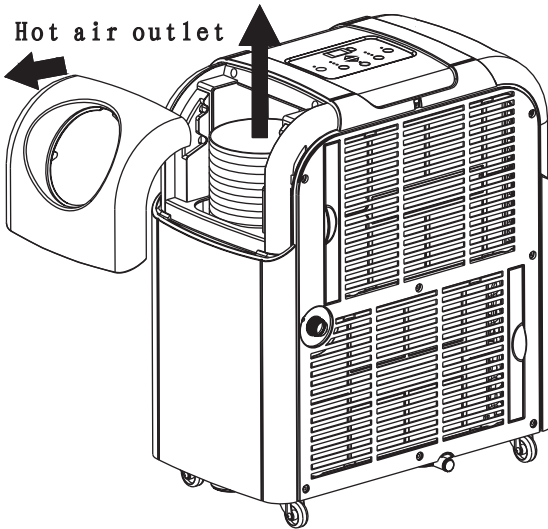


Installation and Uninstallation of the Air Exhaust Hose

See the figure below, First the user must take out the the hose.

Take out Air exhaust hose

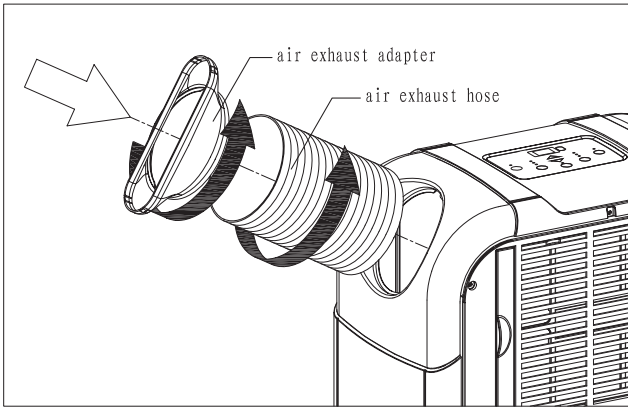
Pull out Hot air outlet



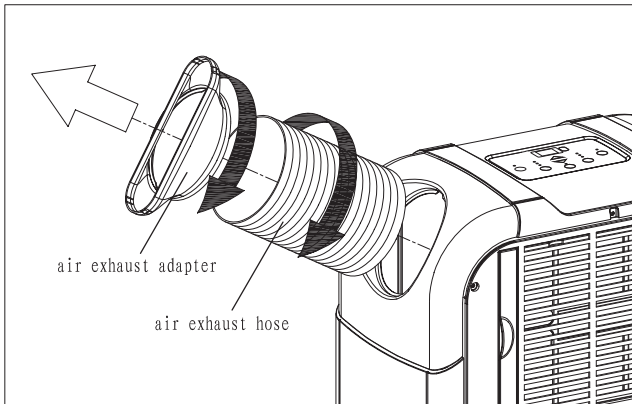
INSTALLATION

Installation and Uninstallation of the Air Exhaust Hose

Installation: see the figure below, Revolve the air exhaust adapter into the air exhaust hose in accordance with the direction of the arrow at least six round. And revolve the air exhaust hose into the air conditioner in the same manner.



Uninstallation: see the figure below, Revolve the air exhaust adapter off the air exhaust hose in accordance with the direction of the arrow. And revolve the air exhaust hose off the air conditioner in the same manner.

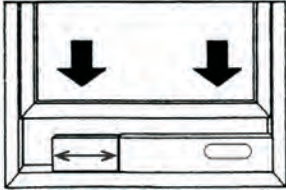


INSTALLATION

Window Kit Installation

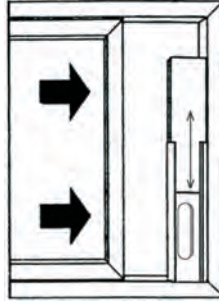
Your window kit has been designed to fit most standard "vertical" and "horizontal" window applications. However, it may be necessary for you to improvise/modify some aspects of the installation procedures for certain types of windows.

See the figure below,



Horizontal window

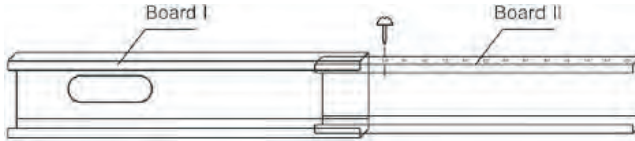
Window slider kit
Minimum:27-1/2"(70cm)
Maximum:48(122cm)



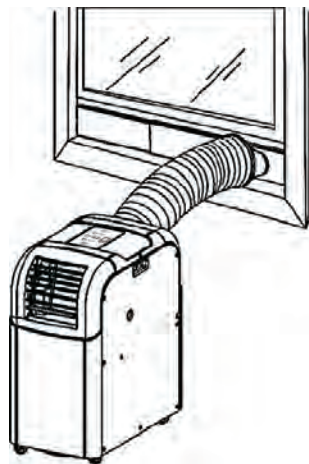
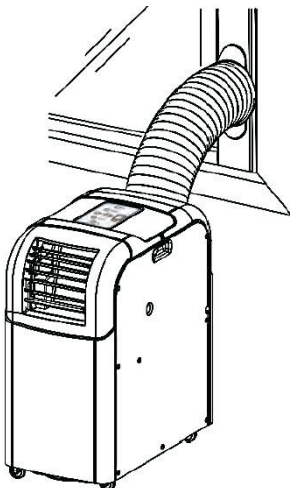
Vertical window

Window slider kit
Minimum:27-1/2"(70cm)
Maximum:48(122cm)

Instruction:One screw fix on installation board II.



See the figure below,install the air exhaust adapter to window kit

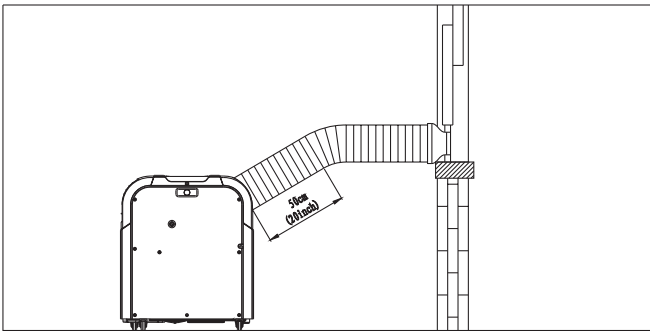


INSTALLATION

The Air Exhaust Hose Mounting Method

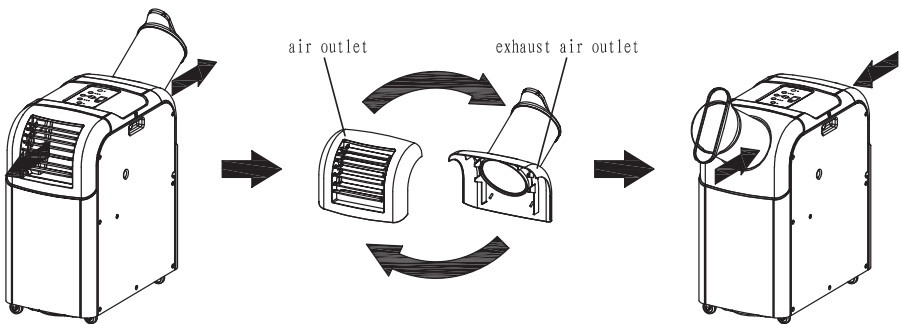
The air exhaust hose is 20cm-160cm in length. It is suggested that the hose should be as short as possible to achieve the maximum energy efficiency ratio when the air conditioner works. If there is a need to extend the hose, please adopt the best mounting method as the figure shows. And please also pay attention to the following points:

1. Try to avoid the bendings of the hose.
2. Try to avoid the bendings of the hose near the exhaust air outlet (and the bending point should be at least 50cm away from the exhaust air outlet.)
3. Keep the smoothness of the whole air exhaust hose, especially in the bending points. Avoid any abrupt steep-angled bendings.



Interchangeable Air Outlet/Exhaust Air Outlet Function

See the figure below. Remove the air outlet and the exhaust air outlet respectively, interchange their location, install to the unit.



Through the above method, cooling air can be blown to the outdoor or other desired place. No matter what the connection mode, other air conditioning patterns are recommended when ambient temperature is either below 18°C (65°F) or above 35°C (95°F).

